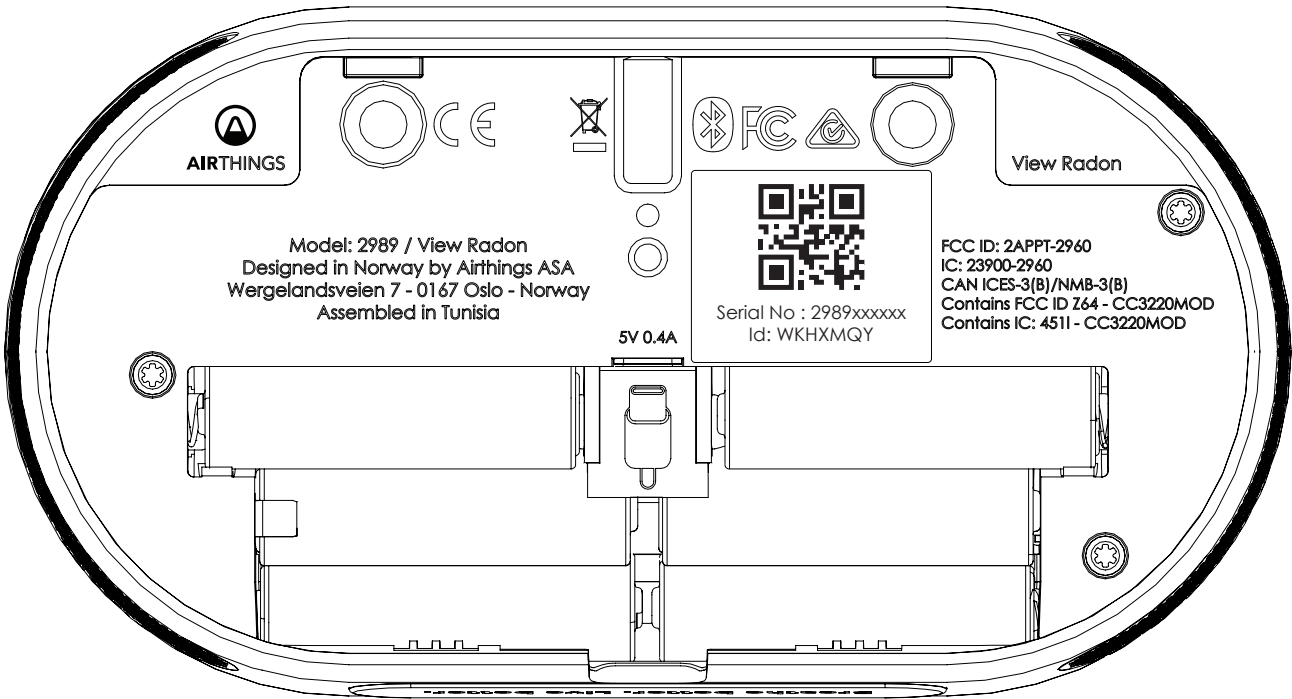


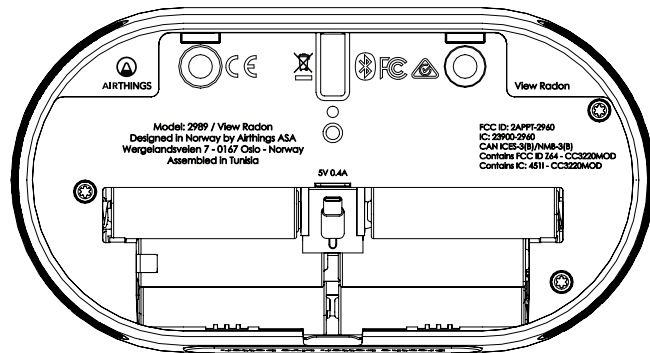
View Radon Print + QR code label



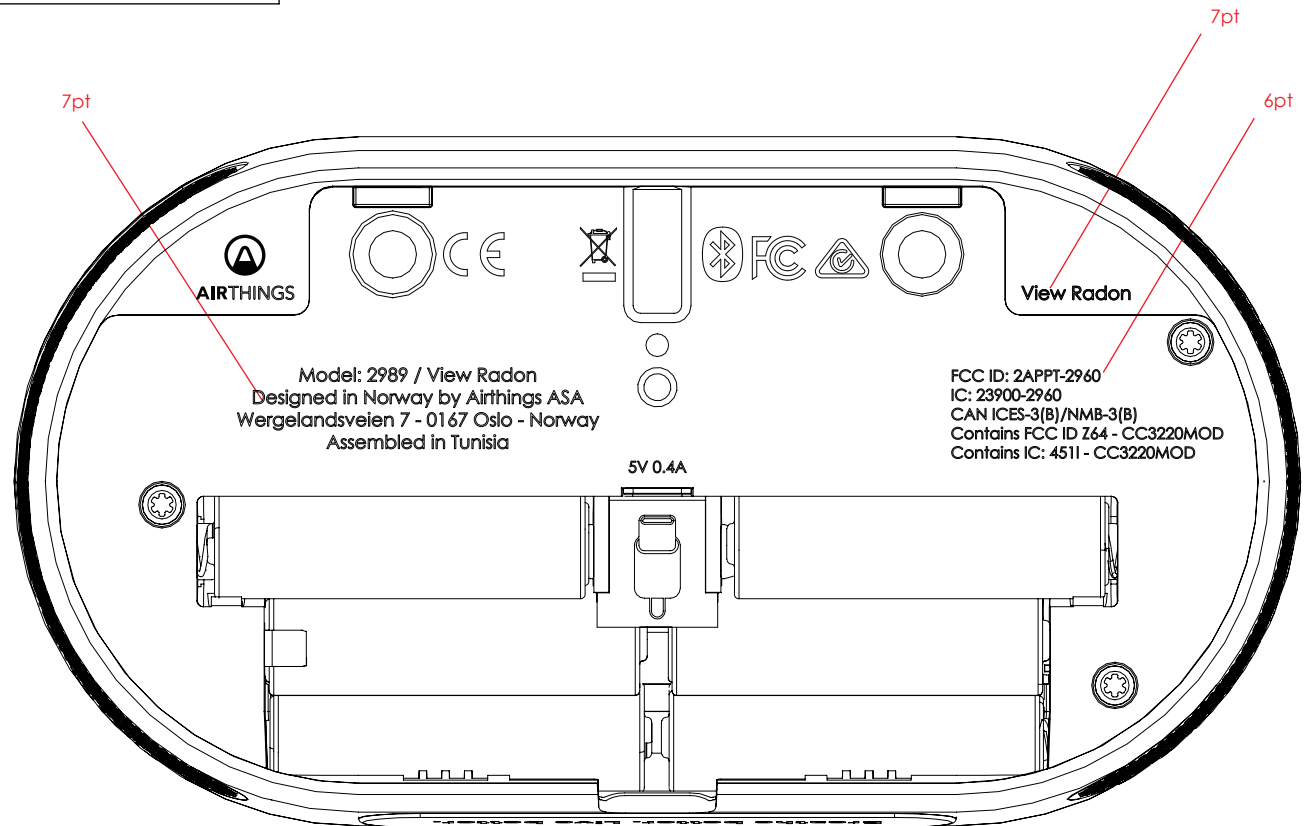
Revision #	002
Revision Date	11.06.2021
Designed by (4MOD)	S.ALLARD
Approved by (Airthings)	

View Radon Laser print

For size(s) and font(s), please refer to the DXF
Material to engrave: polycarbonete (PC)



Scale 1:2



Scale 1:1

View Radon QR code label



**QR code label
(1x1.25 inch or 25,4x31,75mm)**

QR code size: 14x14mm (mandatory)

**White sticker
Serial n° from 2989xxxxxx**

1 Choose a Printer

ZT411



2 Select Media



3 Select Printer Technology

Thermal Transfer (ribbon required)

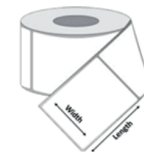
4 Select Media Type

Synthetic

5 Select Media Size (in.)

1.25

1.0



**Scale 1:1
Size A4**