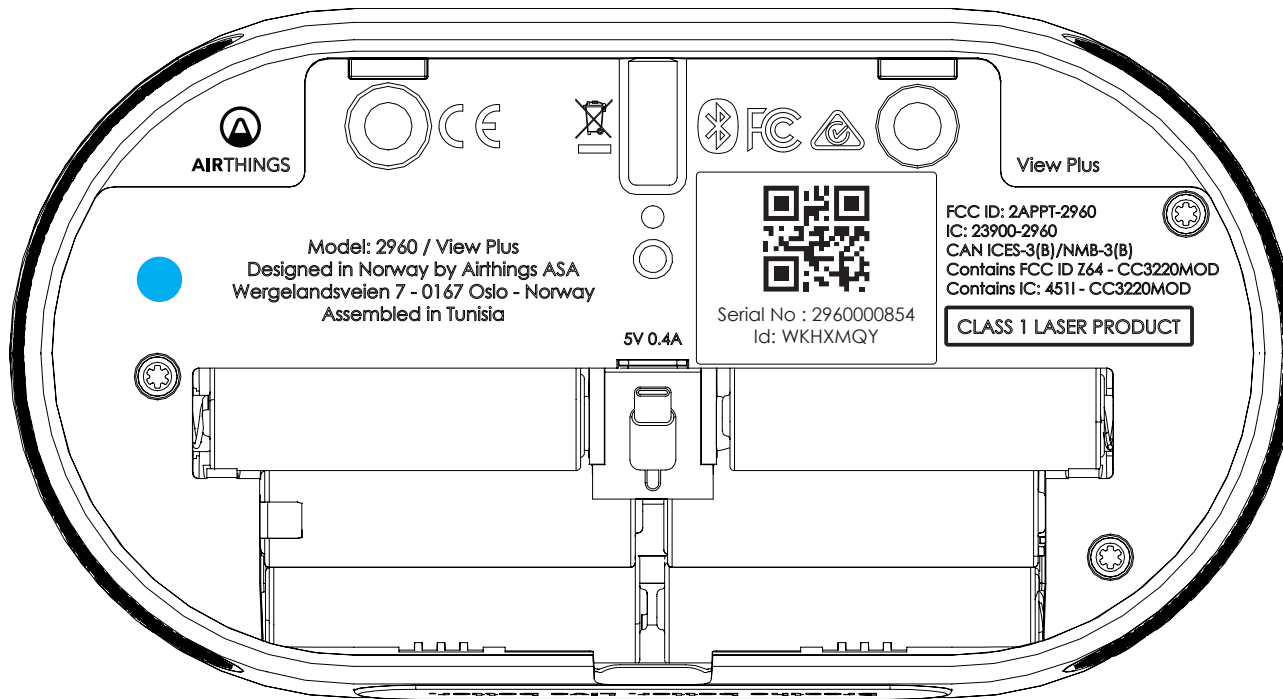


# View Plus Print + color dot



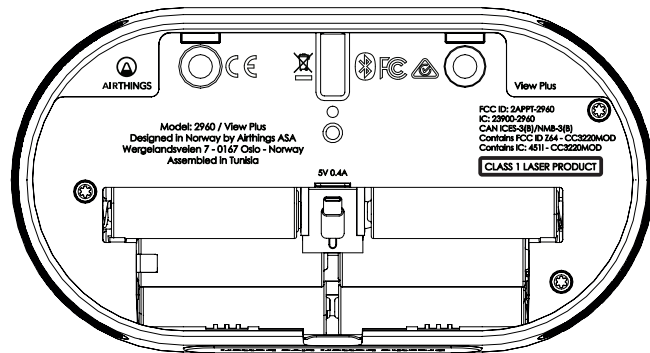
**Backside of the product with laser print & QR code sticker  
(blue dot (sticker) is for A4B product per region)**

- USA = Canada = FCC
- Europe = ETSI
- India = India
- Singapore = Hongkong = Asia\_1
- Australia = Oceania\_Japan

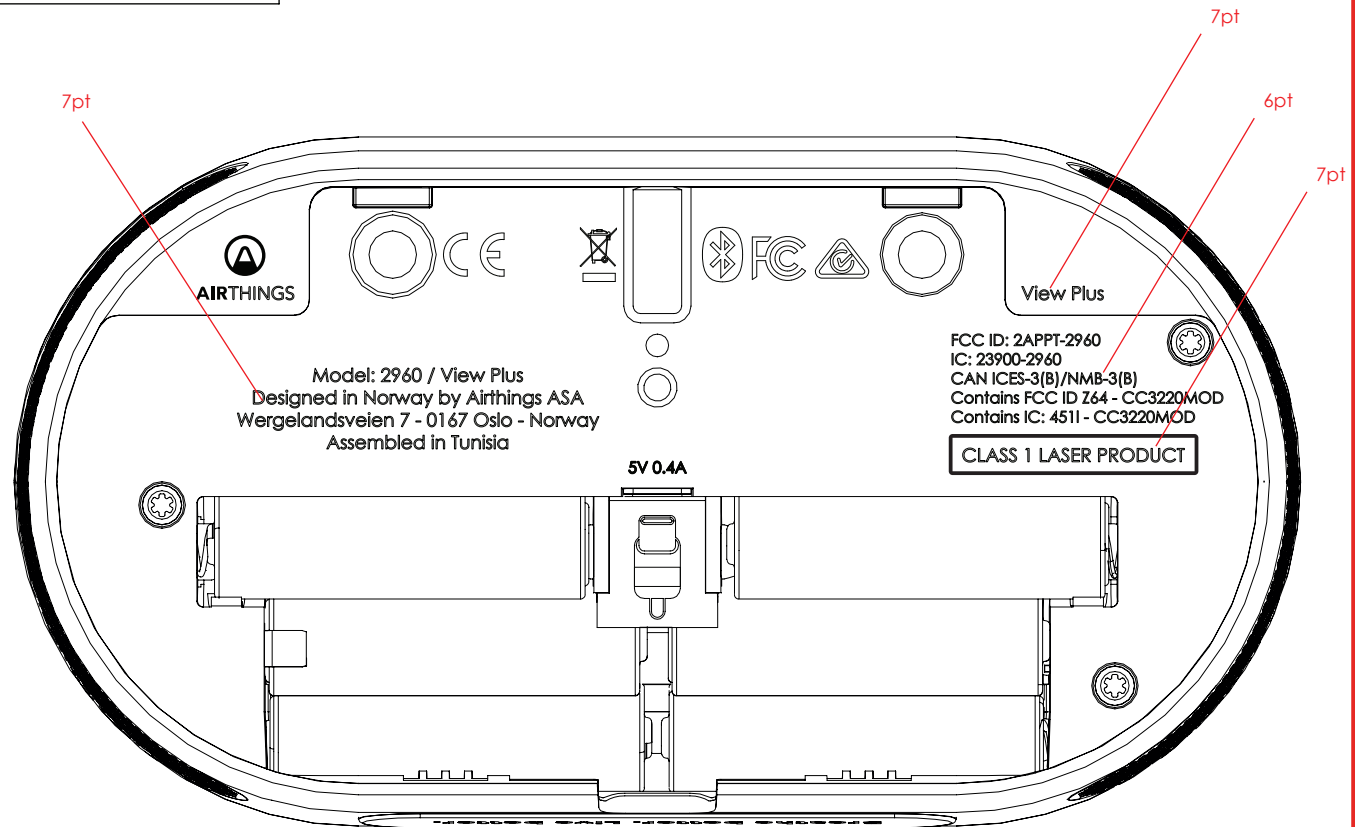
Revision #	007
Revision Date	28.04.2021
Designed by (4MOD)	S.ALLARD
Approved by (Airthings)	

# View Plus Laser print

For size(s) and font(s), please refer to the DXF  
Material to engrave: polycarbonete (PC)



Scale 1:2



Scale 1:1

# View Plus QR code label



**QR code label**  
**(1x1.25 inch or 25,4x31,75mm)**

**QR code size: 14x14mm (mandatory)**

**White sticker**  
**Serial n° from 2930000854**

## 1 Choose a Printer

ZT411



## 2 Select Media



## 3 Select Printer Technology

Thermal Transfer (ribbon required)

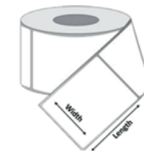
## 4 Select Media Type

Synthetic

## 5 Select Media Size (in.)

1.25

1.0



**Scale 1:1**  
**Size A4**