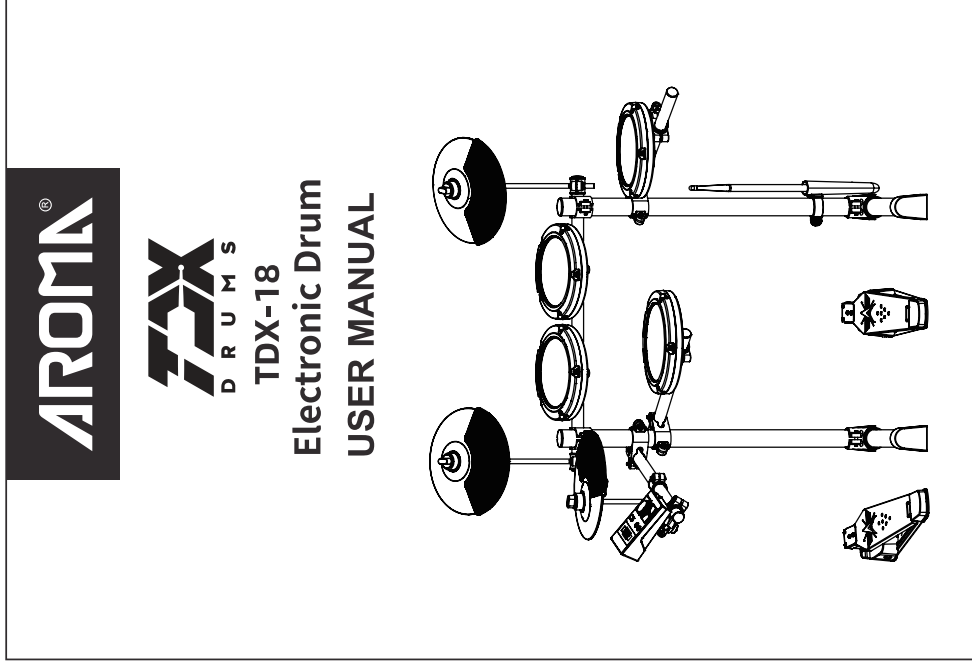


TDX-18英文说明书

145*210mm 16P骑马钉



受控文件

贴牌包装文件由业务员全权审核，但审核内容仅限于客户额外要求(即不同于公司同型号标准版)的内容，包括且不限于文字、图案、颜色、尺寸、材质、条码。

● 产品料号 1.5.03.0283001

● 版本 A2

● 物料名称 TDX-18英文说明书

● 日期 20240319

● 材质/工艺 70g书写纸黑色印刷

● 设计师 邓丽颖

● 审核人

李承龙

● 核准人

易华

● 文件编号

AROMA-RD-BZ-02

版本

变更记录

A0

初版发行

A1

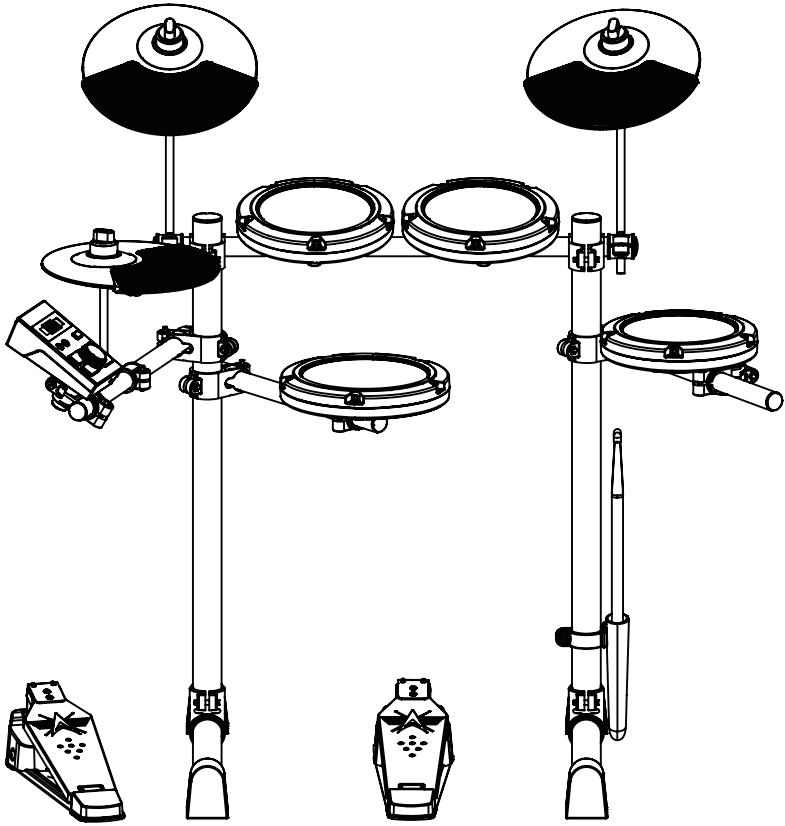
删除中文公司信息

A2

更新FCC说明，删除UKCA标识



TDX-18
Electronic Drum
USER MANUAL



CONTENS

Product Features	3
EnjoyPlaying.....	3
Updated Mesh Drum Heads.....	3
Metronome.....	3
Easy Operation.....	3
Easy Assembly.....	3
Drum Introduction	4
Crash Cymbal.....	4
Ride Cymbal.....	4
Hi-Hat.....	4
Tom Drum.....	4
Snare Drum.....	4
Bass Drum.....	4
Hi-Hat Pedal.....	4
Basic Playing	5
Play with Hi-Hat and Hi-Hat Pedal.....	5
Play with Crash Cymbal.....	5
Play with Ride Cymbal.....	5
Play with Bass Drum.....	5
Play with Snare Drum.....	5
Module Introduction	6
How To Use	7
1. Power and Audio Cable Connection.....	7
2. Turn On/Off Module.....	7
3. Turn On Drum Amp(if using a drum amp).....	7
4. Select Drum Kit.....	7
5. Song Select.....	7
6. Adjust Pad Level.....	8
7. Auto Power Off.....	9
8. Factory Reset.....	9
Metronome Function	10
Pedals Adjustment	11
Bluetooth	11
USB MIDI	12
Specifications	13
Troubleshooting	14

Thank you for purchasing the AROMA TDX-18 Electronic Drum Set. Please refer to the Assembly Instructions to setup the AROMA TDX-18 Electronic Drum Set. Before you start playing, please read through this manual.

Product Features

Enjoy Playing

Play TDX-18 with Aroma drum amp ADX-40, ADX-30, ADX-20 (optional purchase) to have a feeling of playing acoustic drums. TDX-18 restores the real sounds of acoustic drum sets and is easy to adjust sound level. You can also play with headphone to avoid disturbing others.

Updated Mesh Drum Heads

All of the pads including the snare drum use mesh heads, which feel better and are more quiet than standard rubber pads.

Metronome

With a metronome function, tempo \ beat \ volume are adjustable with light indicating.

Easy Operation

Easy to operate the module with only 6 buttons, with rotary knob, and with screen to show a operation contents.

Easy Assembly

Only 9 steps to assemble TDX-18 electronic drum kit. Please follow attached ASSEMBLY DIRECTORY manual to assemble your drum kit.

Drums Introduction

Crash Cymbal

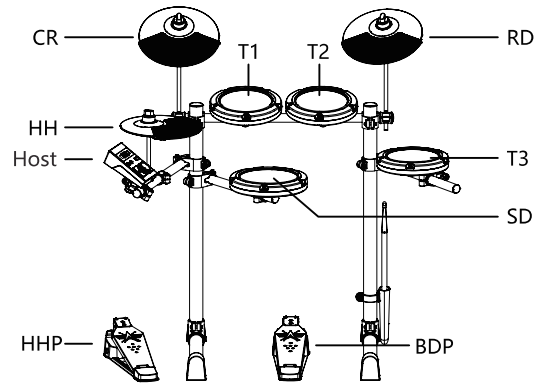
CR, 9" diameter, half silicone, double triggers, mute function.

Ride Cymbal

RD, 9" diameter, half silicone, double triggers, mute function.

Hi-Hat

HH, 9" diameter, half silicone, single trigger.



Drums Introduction diagram 1

Tom Drum 1, Tom Drum 2, Tom Drum 3

T1, T2, T3, 6" diameter, single trigger mesh pad.

Snare Drum

SD, 7" diameter, mesh head, single trigger.

Bass Drum

Reference: BD. The bass drum on the TDX-18 activated by a bass drum controller. The user simply presses on the pedal to make a bass drum sound.

Hi-Hat Pedal

Reference: HHP. The hi-hat controller is similar to the bass drum controller. Similar to a real hi-hat stand, simply press the controller to make open and closed hi-hat sounds.

Reminder: The reference abbreviation is marked on each pad and the end of each cable for easy setup. Make sure to match each pad when assembling.

Basic Playing

This is a brief overview of how to utilize some of the features on the AROMA TDX-18.

Play with Hi-Hat and Hi-Hat Pedal

For a more loose sound, release the pedal and strike the hi hat pad (Diagram 3). For a closed Hi-Hat sound press and hold down the hi-hat pedal while striking the hi-hat pad. Press down on the hi-hat pedal to engage the hi-hat sound (Diagram 2).

Play with Crash Cymbal

Hit the edge to make Edge shot sound (Diagram 5). To mute crash cymbal, using fingers to pinch and hold the cymbal edge. A same mute function also works on Ride cymbal (Diagram 6).

Play with Ride Cymbal

Slightly hit the cymbal to make Bow shot sound, hard hit the cymbal to make Ride cup sound (Diagram 4), hit the edge to make Edge shot sound (Diagram 5).

Play with Bass Drum Pedal

The bass drum pedal is similar to the hi-hat pedal. Press down on the pedal to engage the bass drum sound.

Play with Snare Drum

The snare drum reacts to hard and soft strikes as well as strike position (Diagram 7).



Diagram 2



Diagram 3



Diagram 4



Diagram 5

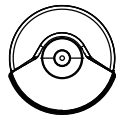


Diagram 6

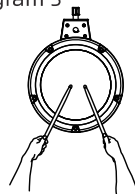
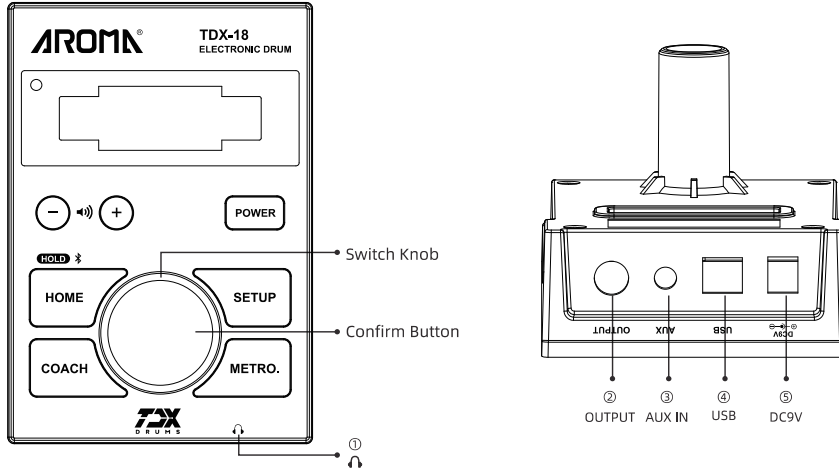


Diagram 7

Module Introduction



Module diagram 8

Controls		
POWER		Press to turn On / Press and hold to turn Off (Refer to next page for setting 'AUTO OFF' in '30 MIN' '1HOUR' , or 'OFF')
Switch Knob		Turn the knob clockwise or anti-clockwise to change sound kits (Under different modes, the Switch Knob controls different functions, refer to Knob Function description on next page)
Confirm Button		Confirm each function choose
COACH		MIDI Accompaniment to practice function On/Off
METRO.		Metronome On/ Off
SETUP		Enter setup functions and return(Reminder: All settings will be saved automatically once they are modified)
HOME/		Back to home / Press and hold to turn bluetooth On/Off
+ -		Control the master volume of the drum kit
Connections		
①		3.5mm stereo headphone socket
②	AUX	3.5mm AUX IN
③	OUTPUT	6.35mm output
④	USB	USB MIDI socket
⑤	DC9V	Power socket

How To Use

1. Power And Audio Cable Connection

Use the attached audio cable to connect OUTPUT of module to your drum amp or connect your headphone to the earphone port of module. And then connect the power adapter to DC9V port of module.

2. Turn On/Off Module

Press POWER button to turn On the machine. Press and hold the POWER button to turn Off the machine. The screen shows below.

Power On:  Power Off: 

3. Turn On Drum Amp(in using a drum amp)

Turn on the drum amp and adjust the drum amp volume level. Hit the drum pad at the same time and adjust module volume control and the drum amp volume control to make a balance.

4. Select Drum Kit

The default drum kit is Pop Kit 1. Turn switch knob clockwise anti-clockwise to select other drum kits, refers to Diagram 9.

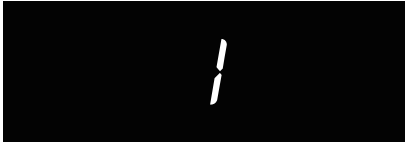


Diagram 9

All drum kits list:

1 Pop Kit 1	5 Metal Kit 2	9 Jazz Kit	13 FusionJazz Kit
2 Pop Kit 2	6 Studio Kit 1	10 Funk Kit	14 Rock Kit
3 Pop Live Kit	7 Studio Kit 2	11 JazzFunk Kit	15 Percussion
4 Metal Kit 1	8 Studio Kit 3	12 Fusion Kit	16 Electric

5. Song Select

After power On, press COACH Button to enter Song mode. The song will be played automatically. Press Confirm button again will stop the song, turn switch knob clockwise or anti-clockwise to choose song, and press Confirm Button starts to play.



Diagram 10

Practice songs select and buttons control

Turn power on		→	Press "COACH" button to enter song selection.		→	Press "COACH" button to exit song selection.	
Press COACH button	Turn knob to select songs	S1 cool soul	S11 hard rock	Play songs	When the count-in beat is over, it starts to play automatically	For other adjustments, press the Setup key	Turn the selection knob to adjust the parameters
		S2 techno	S12 slow pop				Press Confirm Button to pause/resume the accompaniment
		S3 dixie	S13 hip hop				
		S4 waltz	S14 soul				
		S5 easy rock	S15 mambo				
		S6 rock beat	S16 polka				
		S7 ballade beat	S17 fast funk				
		S8 salsa	S18 pop swing				
		S9 break beat	S19 funk shuffle				
		S10 shuffle	S20 pop disco				

6. Adjust Pad Level

Step 1: Press "SETUP" to enter setup menu, find "L.E."(LEVEL), refer to diagram 11.



Diagram 11

Step 2: Press confirm button to adjust volume, which will start with "BD" (Bass Drum), refer to diagram 12.

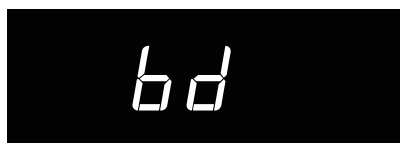
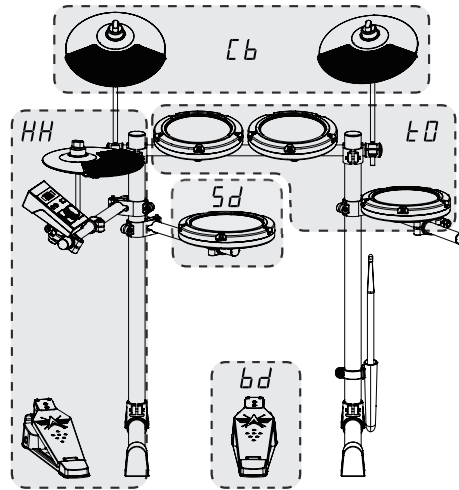


Diagram 12

Step 3: After selecting the parameter, strike the desired pad or cymbal. The screen automatically shows the part name which you strike. All the corresponding names are as below.

Abbr.	Means
<i>cb</i>	Cymbal
<i>td</i>	Tom drum
<i>sd</i>	Snare drum
<i>bd</i>	Bass drum
<i>hh</i>	Hi Hat



Pad and Cymbal part names diagram 13

7. Auto Power Off

Press "SETUP" to enter the setup menu, then turn switch knob to select "A.O."(AUTO OFF). Press confirm button to enter automatic shutdown menu. Press turn switch knob to select standby time length, press confirm button to save the setting and return to the main menu. Refers to Diagram 14.

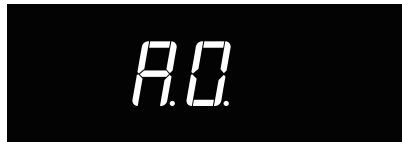


diagram 14

8. Factory Reset

Press "SETUP" to enter the setup menu, then turn switch knob to select "r.s.t." (FACTORY RESET). Select "CLr"(CLEAR) and press confirm button to restore factory settings of all the drum kits. Refers to Diagram 15.



diagram 15

Metronome Function

Press button "METRO." to enter the metronome. The indicator turns red and flashes.
Turn switch knob to adjust tempo, refers to Diagram 16. Tempo range: 40 ~ 240BPM.



diagram 16

Press button "SETUP" and select beat, turn switch knob to adjust beat, refers to Diagram 17. Beat options: 1 ~ 8.



diagram 17

Press button "SETUP" and select volume, turn switch knob to adjust volume, refers to Diagram 18. volume options: 1 ~ 10.



diagram 18

Pedals Adjustment

1. Press Confirm Button and hold, and then at the same time press "POWER" until the module is ON and the screen shows as Diagram 19, release both buttons.
2. Press down and hold bass drum pedal until the screen show as diagram 20, then press down and hold Hi-Hat pedal until screen returns to the initial setup, which means HHP automatic setup has been finished.
3. Automatic pedal setup is now completed.



diagram 19



diagram 20

Bluetooth

Press and hold bluetooth button on the module until that the blue indicator is On. Search the ID 'TDX-18 AUDIO' on your phone, and click to connect. A beep sound will be generated when bluetooth connection is made.

Reminder:

1. The bluetooth volume level is preset according to Android system. Please turn the volume down accordingly if you use a IOS system phone.
2. If you need to change the bluetooth connection of the amp to another phone, please disconnect the previous connection.

USB MIDI


Connect to your synthesizer or personal computer to play your MIDI music. MIDI (musical instrument digital interface) format list.

MIDI:

Function		Transmitted	Recognized	Remarks
Basic Channel	Default	10	1 ~ 8 & 10 ~ 16	
	Changed	x	x	
Mode	Default	x	Mode 3	
	Messages Altered	x *****	x *****	
Note Number		0 ~ 127 *****	0 ~ 127 0 ~ 127	
	True voice			
Velocity	Note ON	0 ~ 127	0 ~ 127	
	Note OFF	x	0 ~ 127	
After Touch	Keyss	x	x	
	Channelss	x	x	
Pitch Bend		x	O	
Control Change	0	x	O	Bank Select
	1	x	O	Modulation
	4	x	O	Foot Control
	5	x	O	Portamento Time
	6	x	O	Data Entry
	7	x	O	Volume
	10	x	O	Pan
	11	x	O	Expression
	64	x	O	Sustain Pedal
	65	x	O	Portamento On/Off
	66	x	O	Sostenuto Pedal
	67	x	O	Soft Pedal
	71	x	O	Resonance
	72	x	O	Release Time
	73	x	O	Attack Time
	74	x	O	Cut Off
80	x	O	Reverb Program	
81	x	O	Chorus Program	
90	x	O	Reverb Level	
91	x	O	Chorus Level	
120	x	O	All Sound OFF	
121	x	O	Reset All Controller *1	
123	x	O	All Notes OFF *1	
Program Change		x	O	
System Exclusive		x	O	
System common	Song Position	x	x	
	Song Select	x	x	
	Tune	x	x	
System Real Time	Clock	x	x	
	Commands	x	x	
Aux Messages	Local ON/OFF	x	x	
	All Notes OFF	x	x	
	Active Sense	O	x	
	Reset	x	x	
Mode 1 : Omni On, Poly Mode 2 : Omni On, Mono O : Yes X : No Mode 3 : Omni Off, Poly Mode 4 : Omni Off, Mono Notes *1 Except 9, 10 Channel				

Remind: Product information is subject to change without prior notice.

Specifications

Drum Kit Contents	Crash cymbal, hi-hat, ride cymbal, tom drum * 3, sanre drum, hi-hat pedal, bass drum pedal	
Drum Sound Kit Quantity	16	
Coach Music Files Preset	20	
Metronome	Tempo	40~240BPM
	Beat	1~8
Control Buttons	Power Button	
	Confirm Button/ Swich Knob	
	SETUP Button	
	HOME Button	
	COACH Button	
	METRO. Button	
	VOLUME Button	
Screen	3 digit numbers by seven segment	
Interface	6.35mm gauge audio port	
	3.5mm earphone port	
	3.5mm aux port	
	USB B type MIDI port	
	DB25 drums signal cables	
	AC/DC adapter port	
Power Voltage	DC9V 	
Power Current	300mA	
Accessories	Electronic drum kit, Assembly Direction, Operation Manual, Power Adapter, Drum Sticks, 6.35mm Audio Cable, Drum Key, Drum Seat, Earphone.	
Optional Products	Drum Amp	ADX-40(40W), ADX-30 (30W) , ADX-20(20W)
	Drum Rug	diameter: 1.3m

Troubleshooting

Faults	Check List	Solution
No sound / insufficient volume	Is the drum set well connected to your headphone or amp?	Check the connections
	Is the volume adjusted properly?	Check the volume level
	Is the connection of audio cable correct?	Please check the connection
	Is the audio cable broken?	Try another piece of audio cable
	Is only one pad or cymbal no sound?	Please contact customer service
	Is the volume of some one pad or cymbal too low or high?	Follow Pad Level steps to adjust the level
Hi-hat pedal or bass drum pedal responses badly	Is the connection correct ?	Check the connection
	Is the pedal occasionally silent ?	Follow Pedals Adjustment steps to adjust pedals sensitivity
	Are the pedals lack of or over sensitive?	
Cross talk	Is the drum kit assembled properly ?	Check all the joints and fasten the screws
	Are DB25 audio cables loose ?	Check all the connections of DB25 audio cable heads
USB connection to computer failed		Please restart the drum host machine and try again
Not to Power ON	Is the power turned On ?	Use qualified AC/DC power adapter
	Does the power button function well ?	Please contact customer service
Screen display abnormal	Is the screen dark or texts incoherent?	Please contact customer service
If you find any other faults not listed here, please contact your customer service.		

FCC Statement

Changes or modifications not expressly approved by the party responsible for compliance could void the user's authority to operate the equipment.

This equipment has been tested and found to comply with the limits for a Class B digital device, pursuant to Part 15 of the FCC Rules. These limits are designed to provide reasonable protection against harmful interference in a residential installation.

This equipment generates uses and can radiate radio frequency energy and, if not installed and used in accordance with the instructions, may cause harmful interference to radio communications. However, there is no guarantee that interference will not occur in a particular installation. If this equipment does cause harmful interference to radio or television reception, which can be determined by turning the equipment off and on, the user is encouraged to try to correct the interference by one or more of the following measures:

- Reorient or relocate the receiving antenna
- Increase the separation between the equipment and receiver.
- Connect the equipment into an outlet on a circuit different from that to which the receiver is connected.
- Consult the dealer or an experienced radio/TV technician for help

This device complies with part 15 of the FCC rules. Operation is subject to the following two conditions (1) this device may not cause harmful interference, and (2) this device must accept any interference received, including interference that may cause undesired operation.

This equipment complies with FCC radiation exposure limits set forth for an uncontrolled environment. This equipment should be installed and operated with minimum distance 20cm between the radiator & your body.



AROMA[®]

MUSICAL INNOVATION

aromamusic.cn

follow us

 facebook.com/AromaMusicGear

 info@aromamusic.cn

Designed and engineered by AROMA MUSIC