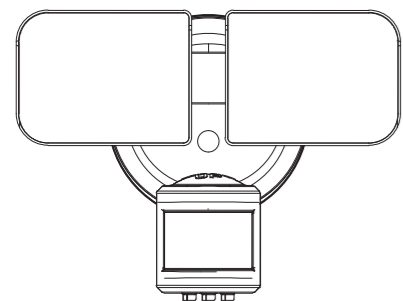




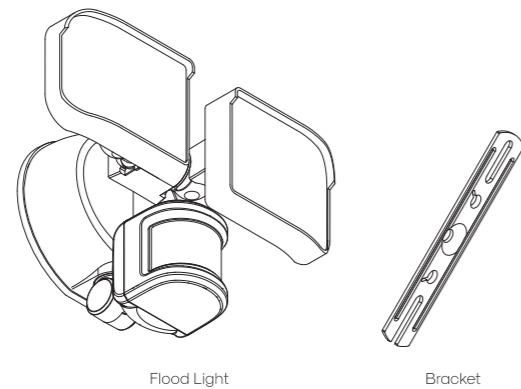
Smart WiFi Flood Light



Installation Guide

Step 1 of 2

What's included



Flood Light

Bracket

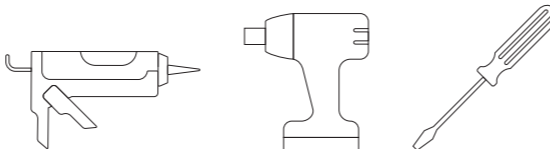


(3x) Wire Nuts



(4x) Screws

What's NOT included



Caulk Gun + Silicone Sealant

Drill

Screwdriver

Product appearance may vary from image shown. Please consult your local hardware store for the proper sealant.

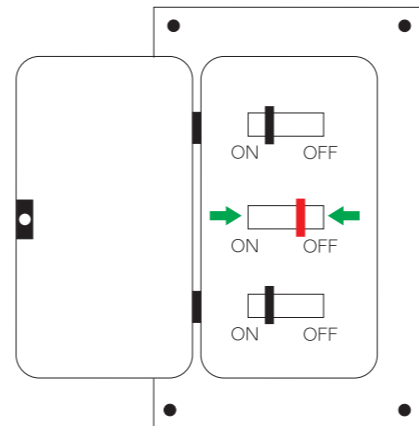
CAUTION: RISK OF FIRE.

This product must be installed in accordance with the applicable installation code by a person familiar with the construction and operation of the product and the hazards involved.

CAUTION: RISK OF SHOCK.

DISCONNECT POWER BEFORE INSTALLATION.

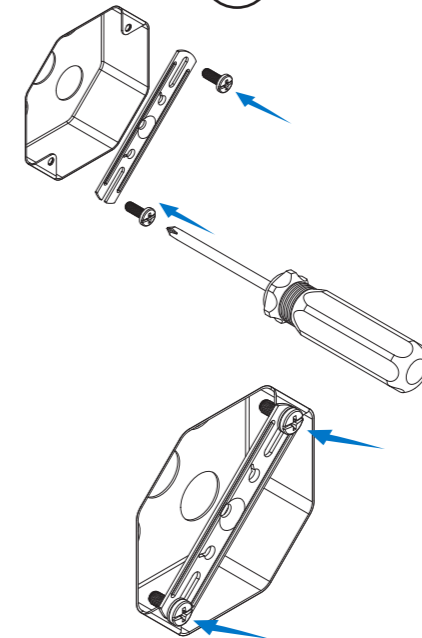
1



Turn off the switch that controls the power to the flood light.

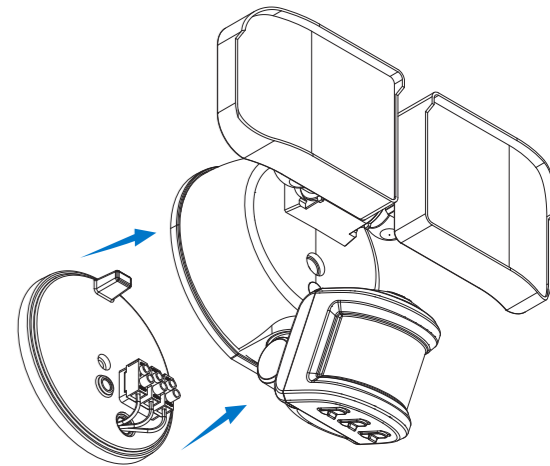
Note: Ensure that there is no power running to the flood light before installation.

2



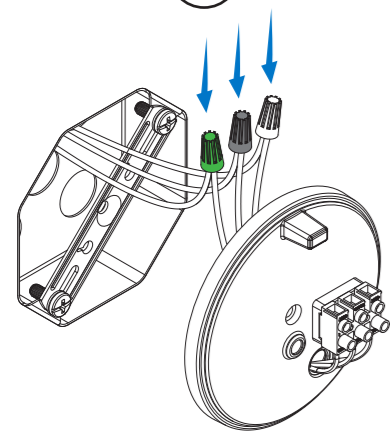
Secure the bracket to the outlet box with the included screws. Make sure it is securely fixed to the outlet box.

3



Separate the back plate from the flood light (this will create convenient access to connect the wires).

4



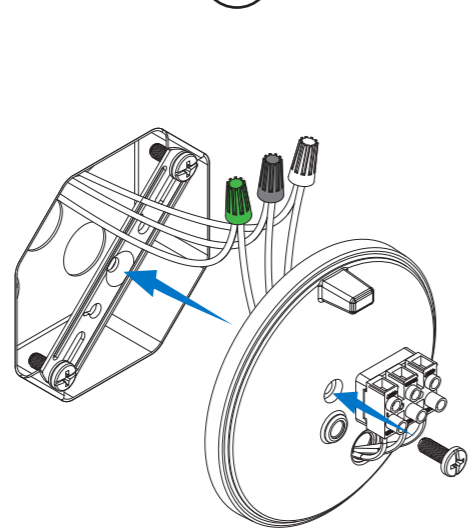
Push the bare metal ends of the wires together and slide a wire nut over them. Twist the wire nut clockwise until tight. Give it a gentle pull to ensure none of the wires come apart.

Note: Ensure that the wires are connected according to the table below (Ground, Hot, and Neutral).

G	Ground	Z	Hot	W	Neutral
---	--------	---	-----	---	---------

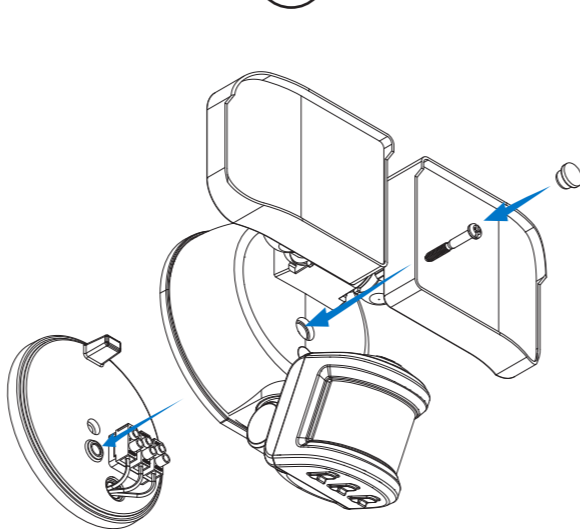
Warning: If you are unfamiliar with wiring or uncomfortable doing it yourself, please contact a qualified electrician.

5



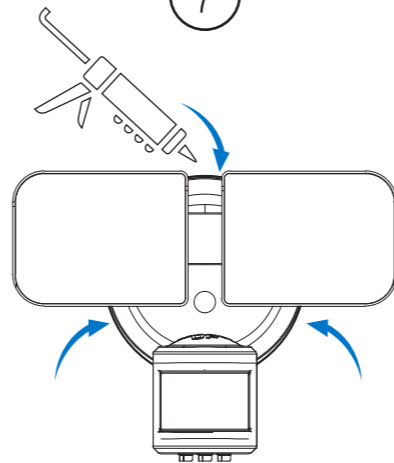
Secure the base to the bracket with one screw (included).

6



Mount the lamp on the back plate using the allen key and final screw to secure it in place.

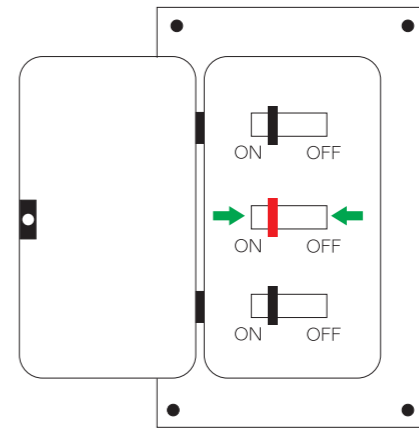
7



Use a silicone sealant to bind the base of the light to the wall. Apply the silicone around the light except on the bottom.

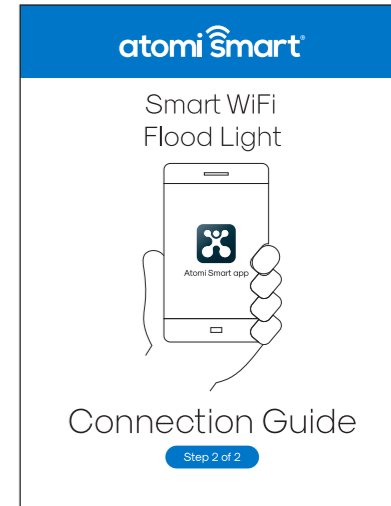
Note: It is recommended to not put silicone around the bottom because it can easily overflow or drip down.

8



Turn on the switch that controls the power to the flood light.

9



Please, check the Connection User Guide to get instructions for connecting to the app.

FCC Statement

This device complies with Part 15 of the FCC Rules. Operation is subject to the following two conditions:

(1) This device may not cause harmful interference.

(2) This device must accept any interference received, including interference that may cause undesired operation.

2. Changes or modifications not expressly approved by the party responsible for compliance could void the user's authority to operate the equipment.

Note: This equipment has been tested and found to comply with the limits for a class B digital device, pursuant to Part 15 of the FCC Rules. These limits are designed to provide reasonable protection against harmful interference in a residential installation.

This equipment generates uses and can radiate radio frequency energy and, if not installed and used in accordance with the instructions, may cause harmful interference to radio communications. However, there is no guarantee that interference will not occur in a particular installation. If this equipment does cause harmful interference to radio or television reception, which can be determined by turning the equipment off and on, the user is encouraged to try to correct the interference by one or more of the following measures:

- Reorient or relocate the receiving antenna.
- Increase the separation between the equipment and receiver.
- Connect the equipment into an outlet on a circuit different from that to which the receiver is connected.
- Consult the dealer or an experienced radio/TV technician for help.

The device has been evaluated to meet general RF exposure requirement. This equipment should be installed and operated with a minimum distance of 20 cm between the radiator and your body.