

User Manual

Solar Path Light
GSPL

Warnings and cautions

- (1) All parts must be used as indicated in these instructions. This product is designed for use only with the supplied parts and/or accessories designated for use by manufacturer. Substitution of parts or accessories not designated for use with this product by manufacturer could result in personal injury or property damage, and will void the warranty. Contact an authorized dealer or the manufacturer if any parts are damaged or missing.
- (2) Suitable for general outdoor use.
- (3) Do not submerge in water.
- (4) This product is not a toy and is not designed for use by children.
- (5) For safety reasons and under the terms of the warranty, the enclosed device should not be opened (except for switch on the battery).

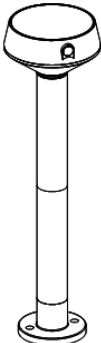
FCC Statement

This equipment has been tested and found to comply with the limits for a Class B digital device, pursuant to part 15 of the FCC Rules. These limits are designed to provide reasonable protection against harmful interference in a residential installation. This equipment generates, uses and can radiate radio frequency energy and, if not installed and used in accordance with the instructions, may cause harmful interference to radio communications. However, there is no guarantee that interference will not occur in a particular installation. If this equipment does cause harmful interference to radio or television reception, which can be determined by turning the equipment off and on, the user is encouraged to try to correct the interference by one or more of the following measures:

- Reorient or relocate the receiving antenna.
- Increase the separation between the equipment and receiver.
- Connect the equipment into an outlet on a circuit different from that to which the receiver is connected.
- Consult the dealer or an experienced radio/TV technician for help.

Changes or modifications not expressly approved by the party responsible for compliance could void the user's authority to operate the equipment.

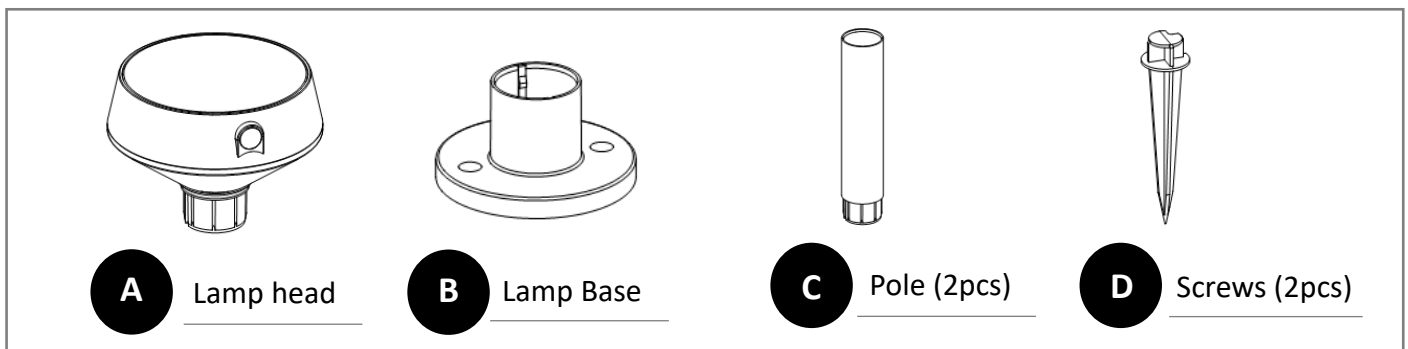
Specification

SKU	GSPL	
Input	Solar-Powered	
Battery	1200 mA, 3.7V (18650)	
Output	1-watt	
Color	3000K	
Light output	50 Lumen	
IP rating	IP65	
Use temperature	-20~50°C	
Warranty	1-year	
Linkable function, in a word, one light on (the unit with PIR motion sensor), others on. One light off, others light off.		

User Manual

Solar Path Light
GSPL

Disassemble drawing and components



Installation

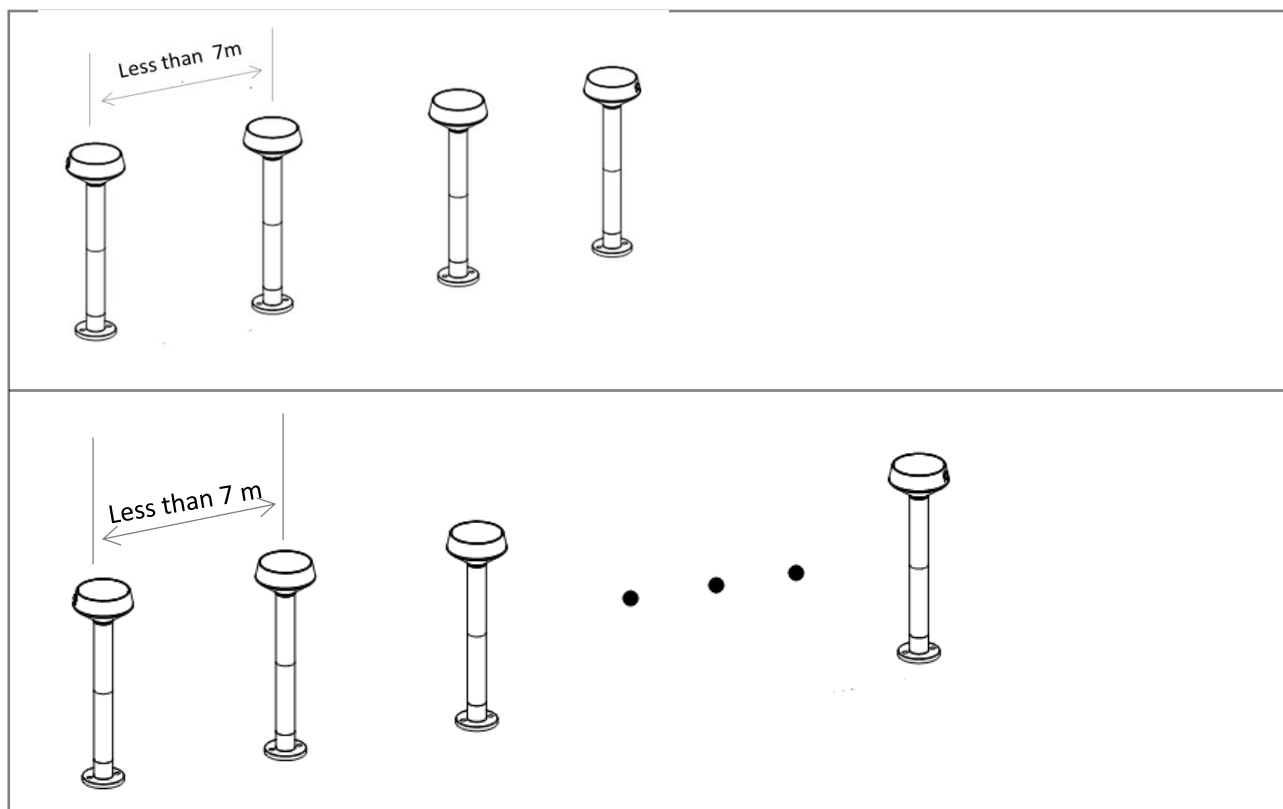
Step 1, Advised install sequence and distance for the kits

Installation distance for both light is less than 7m, otherwise, linkable function may not work.

Advised sequence for the kits

For one kit, Put two units with motion sensor in two end of the pathway, usually adjust the sensor direction to the area that you want to monitor, for instant, entrance and exit of the pathway, Put other units without motion sensor in the middle locations the distance should be less than 7m.

For more than one kit, The same way with one kit, however, for more units with motion sensor, you can put the units in the area or location you want to monitor, for instant, in the middle of pathway, in the crossing of the pathway.

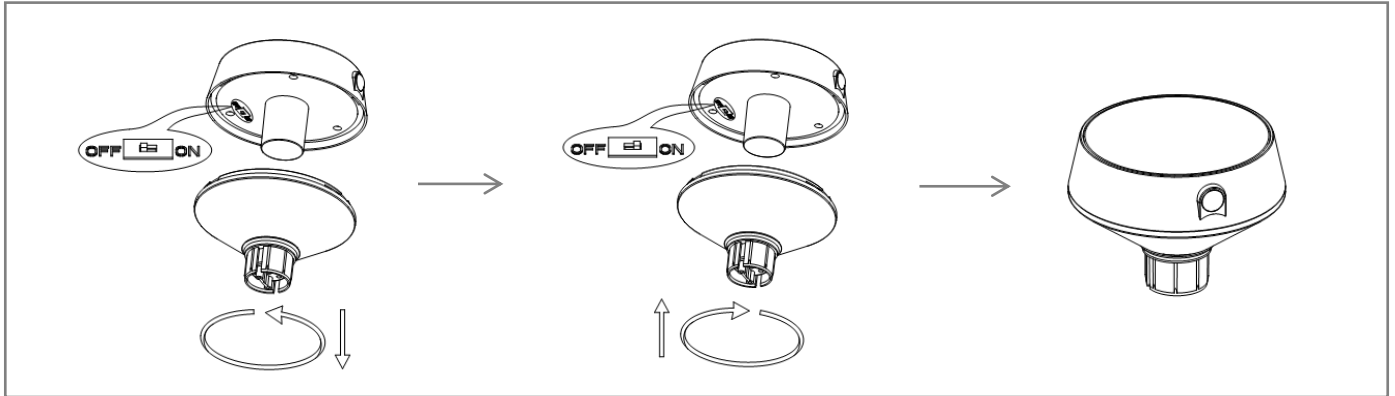


User Manual

Solar Path Light
GSPL

Step 2, Switch on the battery

Once switch on, then the battery and your path light will be activated. You can do a test that cover the 'dusk to dawn' optic in the middle of solar panel by your hand then the path light will be on in the daytime. Risk of fire, or burn. Do not short circuit, crush, heat above 60°C, incinerate, disassemble the battery.



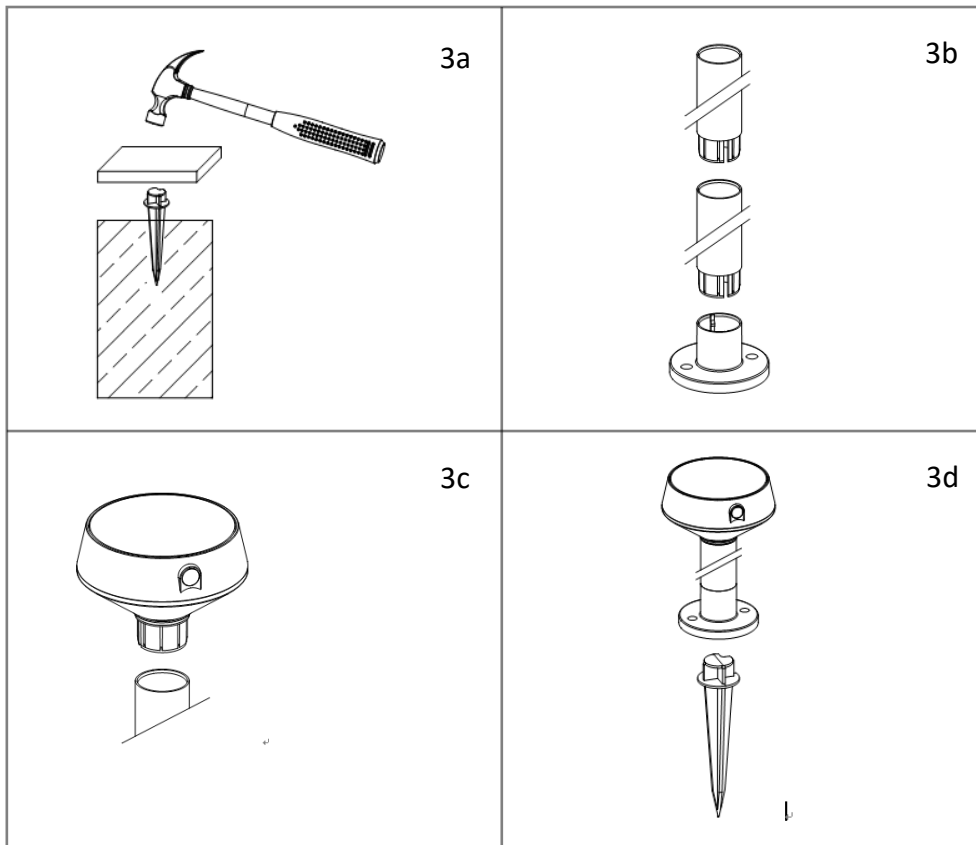
Step 3, Installation Steps

3a, Drive the stake at your chosen location that gets direct sunlight.

3b, Assemble the pole into lamp base.

3c, Assemble the lamp head into lamp pole.

3d, Snap assembled product into the stake and make sure the sensor direction towards the area you want to monitor.



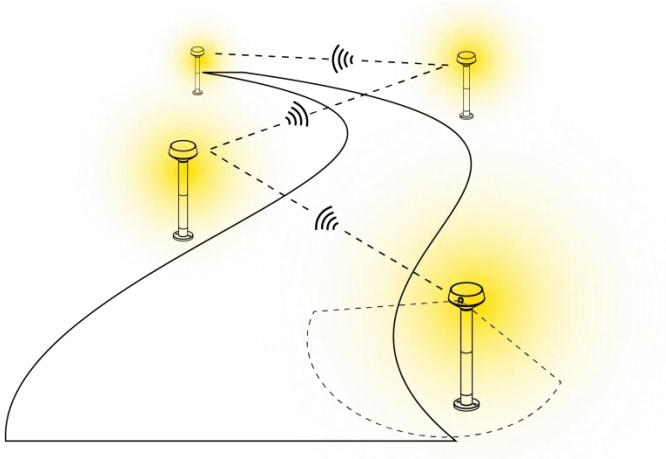
User Manual

Solar Path Light
GSPL

Supplement

Linkable function –

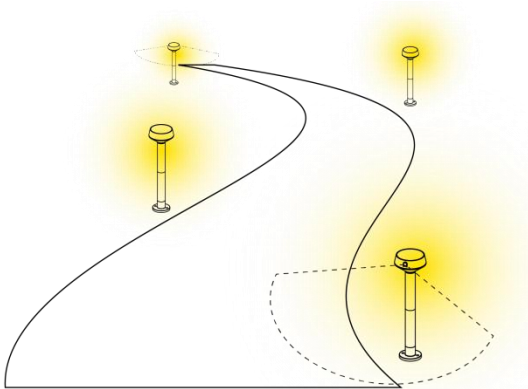
The Light with motion sensor is on when motion detected, others are announced by wireless signal and on. The light will be off when none motion detected more than 30S, so are others when none motion detected or no wireless signal to active.



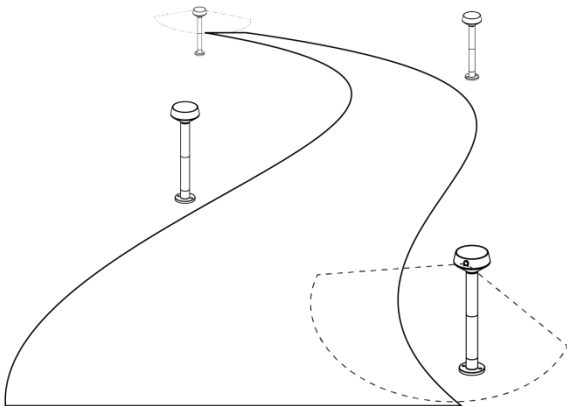
Working Model

(light power on at dusk and power off at dawn)

1, Light on 100% at dusk when motion detected.



2, Light off when none motion detected more than 30S or at dawn.



This device complies with Part 15 of the FCC Rules. Operation is subject to the following two conditions: (1) this device may not cause harmful interference, and (2) this device must accept any interference received, including interference that may cause undesired operation

NOTE: This equipment has been tested and found to comply with the limits for a Class B digital device, pursuant to Part 15 of the FCC Rules. These limits are designed to provide reasonable protection against harmful interference in a residential installation. This equipment generates, uses and can radiate radio frequency energy and, if not installed and used in accordance with the instructions, may cause harmful interference to radio communications. However, there is no guarantee that interference will not occur in a particular installation.

If this equipment does cause harmful interference to radio or television reception, which can be determined by turning the equipment off and on, the user is encouraged to try to correct the interference by one or more of the following measures:

- Reorient or relocate the receiving antenna.
- Increase the separation between the equipment and receiver.
- Connect the equipment into an outlet on a circuit different from that to which the receiver is connected.
- Consult the dealer or an experienced radio/TV technician for help.

Warning: changes or modifications not expressly approved by the party responsible for compliance could void the user's authority to operate the equipment

*RF warning for Portable device:

The device has been evaluated to meet general RF exposure requirement.

The device can be used in portable exposure condition without restriction.