

# COVER PAGE

THR320

FLYNN

2022.01.10

NOTE

TITLE:	COVER PAGE	DATE:	2021.12.02
ENGINEER:	FLYNN	PAGE:	1 OF 6

D

D

# CONTENTS

PAGE	DESCRIPTION
4	AC DC & OUTPUT
5	ESP32
6	DISPLAY & TEM/HUM INTERFACE

C

C

B

B

A

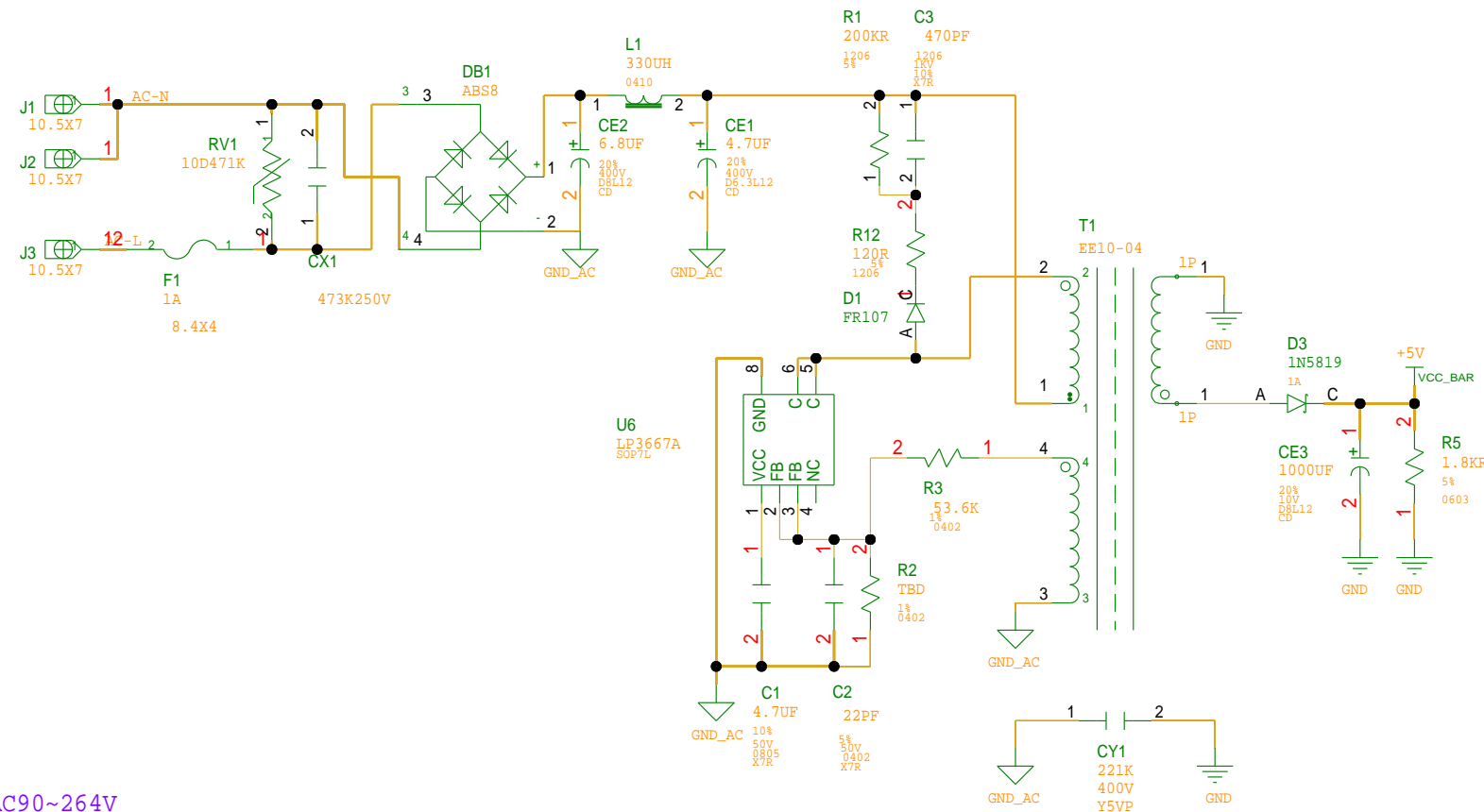
A

TITLE:	CONTENTS	DATE:	2021.12.02
ENGINEER:	FLYNN	PAGE:	2 OF 6

	8	7	6	5	4	3	2	1	
D	VERSION	MODIFICATION DETAILS					DESIGNER	DATE	
	V1.0	FIRST EDITION					FLYNN	2021.12.03	
C									
B									
A									
	8	7	6	5	4	3	2	1	

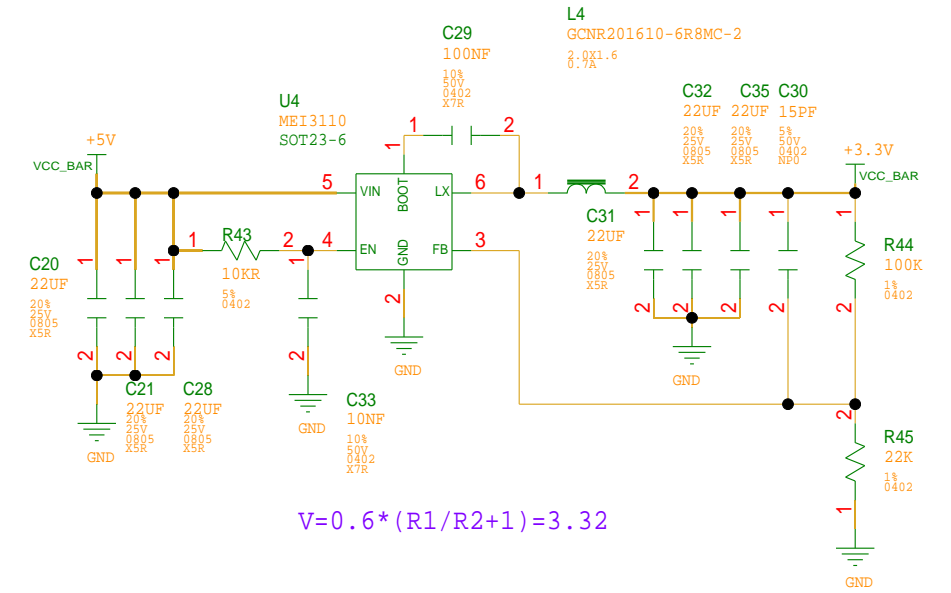
TITLE: MODIFICATION LIST	DATE: 2021.12.03
ENGINEER: FLYNN	PAGE: 3 OF 6

# AC-DC



INPUT: AC90~264V  
OUTPUT: DC5V/0.6A MAX

# DC-DC 5V TO 3V3

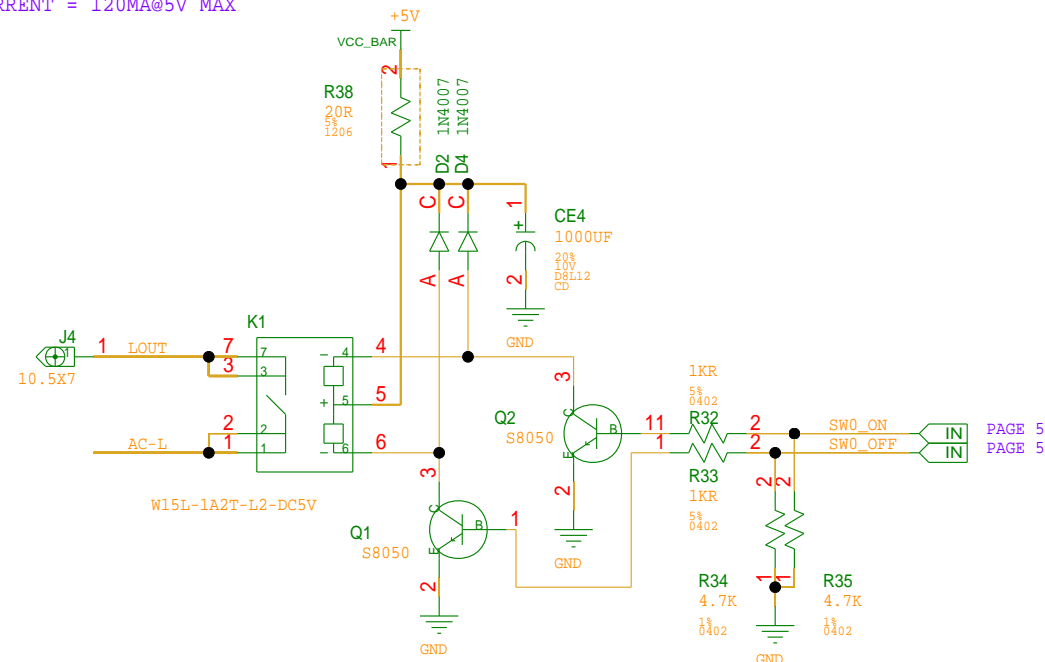


$$V = 0.6 * (R1/R2 + 1) = 3.32$$

OUTPUT: DC3V3/0.5A MAX

# RELAY OUTPUT (20A)

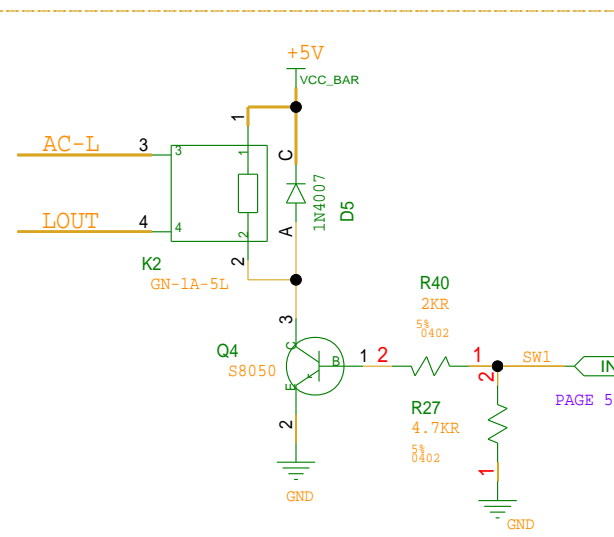
CURRENT = 120MA@5V MAX



SUPPORT FOR 20A MODEL

# RELAY OUTPUT (16A) (BOM NC)

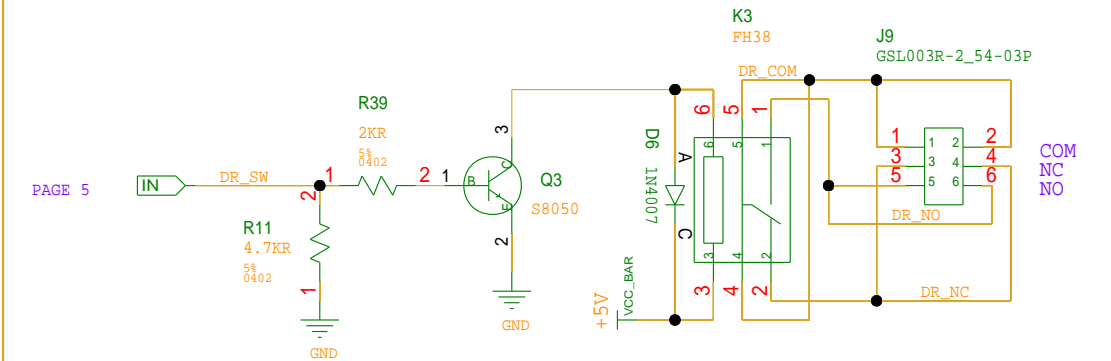
CURRENT = 40MA@5V MAX



SUPPORT FOR 16A MODEL

# DRY CONTACT

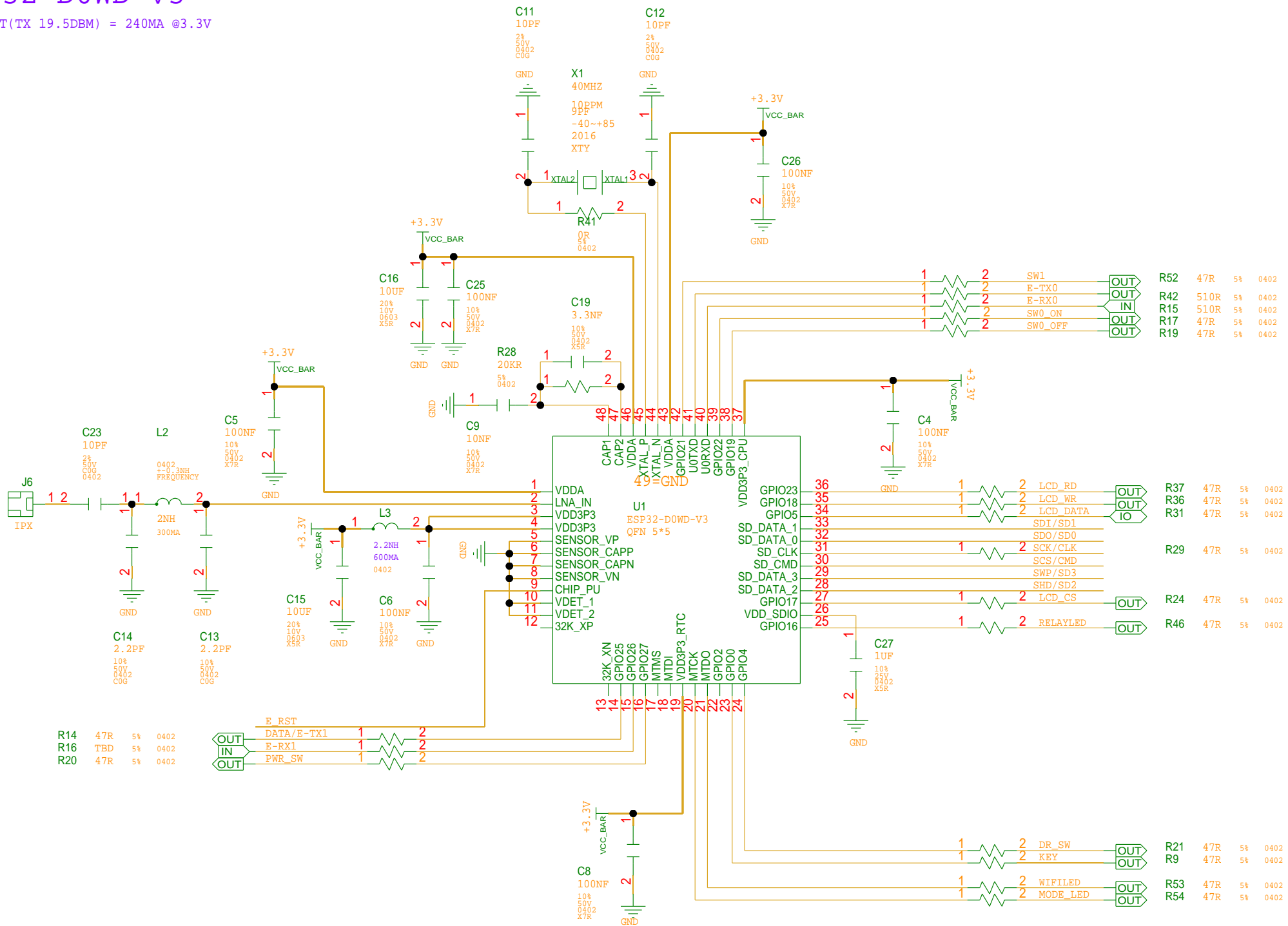
CURRENT = 40MA@5V



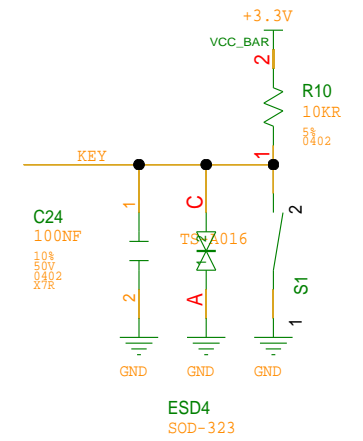
TITLE:	AC-DC&OUTPUT	DATE:	2021.12.02
ENGINEER:	FLYNN	PAGE:	4 OF 6

# ESP32-D0WD-V3

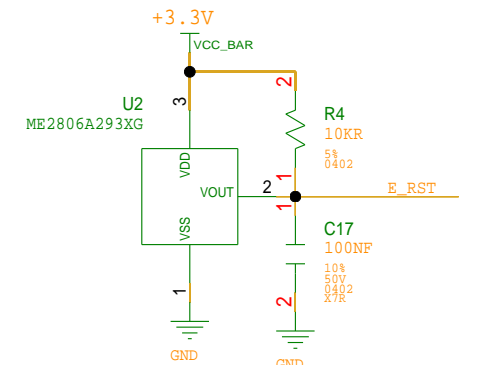
CURRENT(TX 19.5DBM) = 240MA @3.3V



## KEY

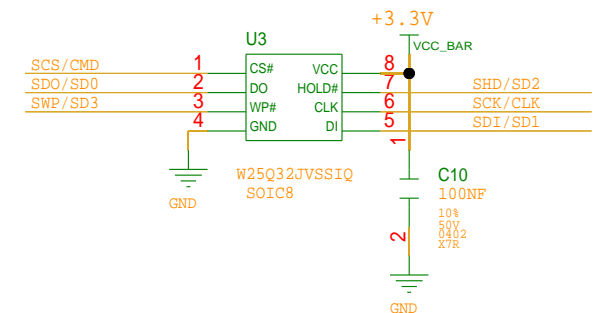


## RST



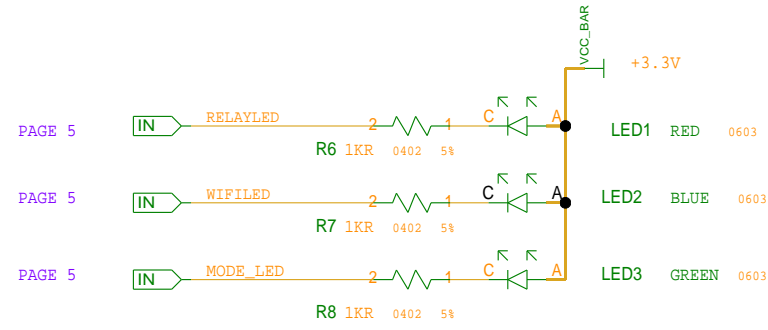
## SPI FLASH

CURRENT = 25MA @3.3V MAX

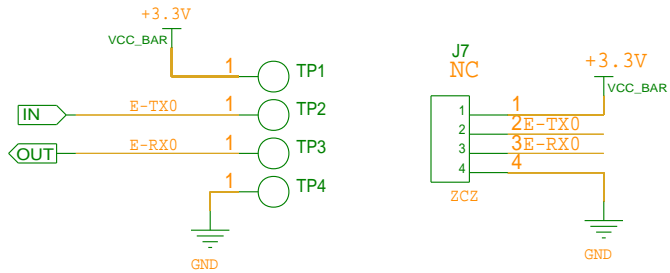


TITLE:	ESP32	DATE:	2021.12.02
ENGINEER:	FLYNN	PAGE:	5 OF 6

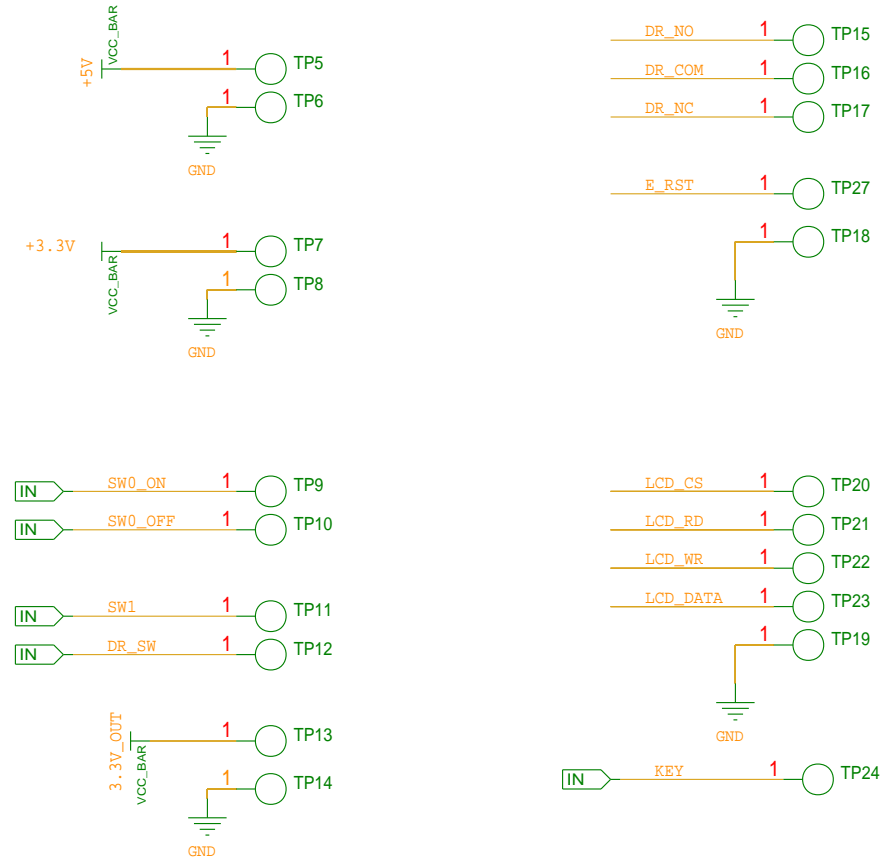
### LED



### ISP

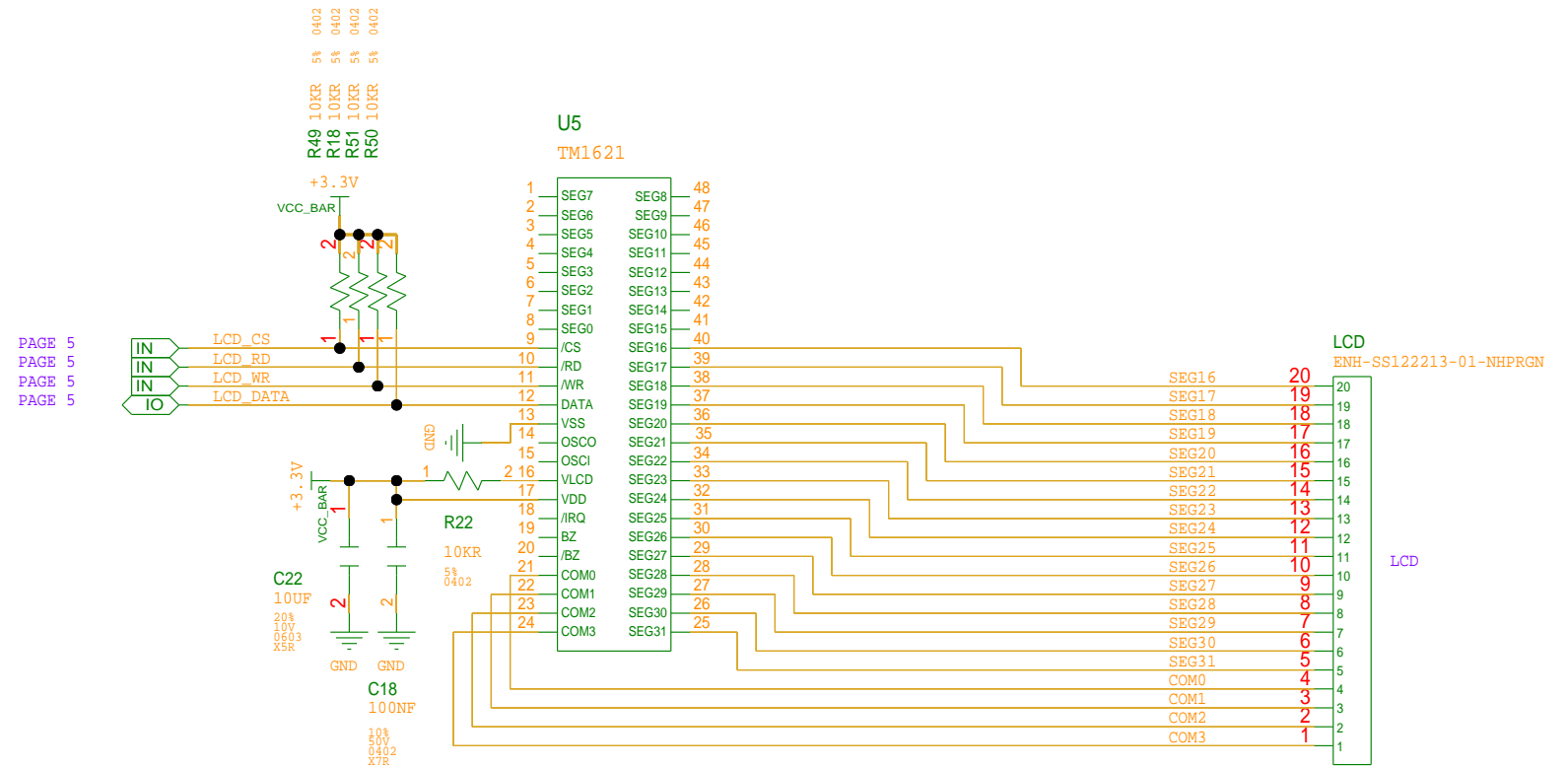


### TEST POINT

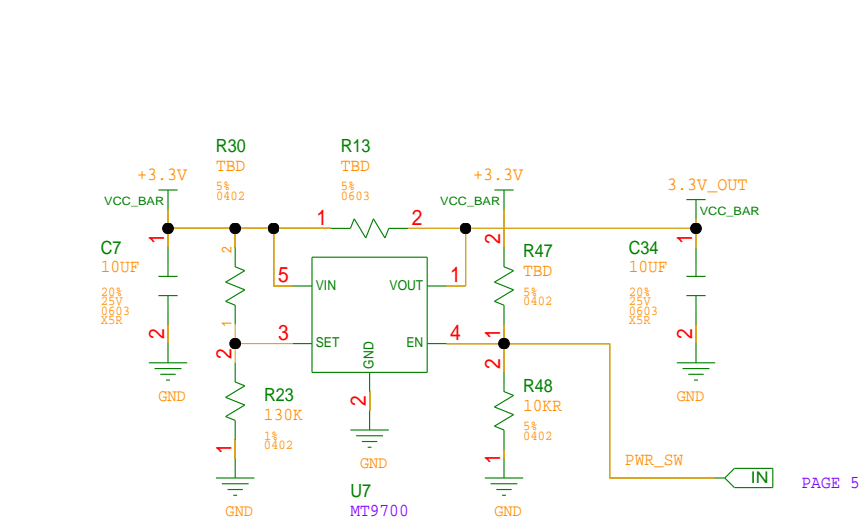


### LCD

CURRENT = 3MA @3.3V MAX



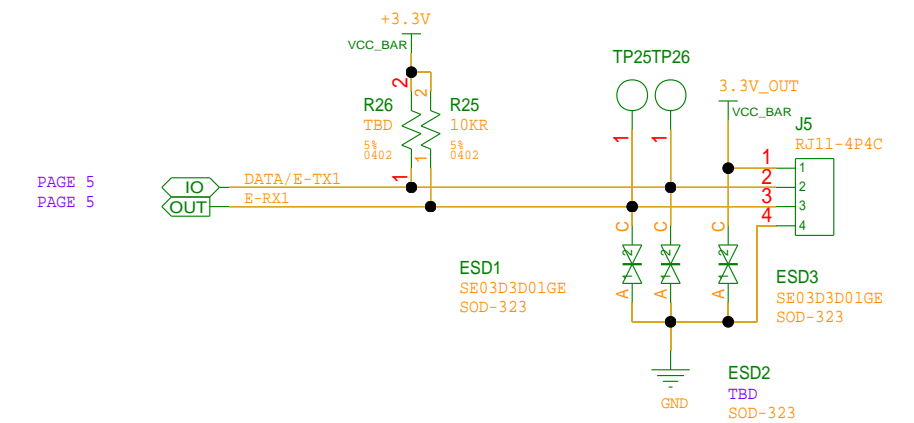
### TEM AND HUM POWER SUPPLY



CURRENT LIM: I(A) = 6800/R23  
OUTPUT = 50MA MAX

### TEM AND HUM INTERFACE

CURRENT = 50MA @3.3V MAX



TITLE: DISPLAY & TEM AND HUM INTERFACE	DATE: 2021.12.02
ENGINEER: FLYNN	PAGE: 6 OF 6