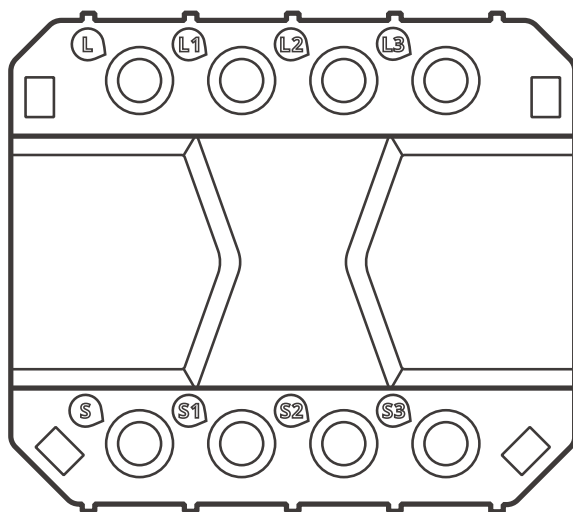




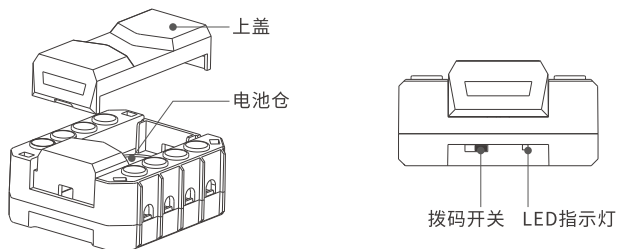
DIY S-MATE

User manual V1.0



SONOFF S-MATE Switch Mate

产品介绍



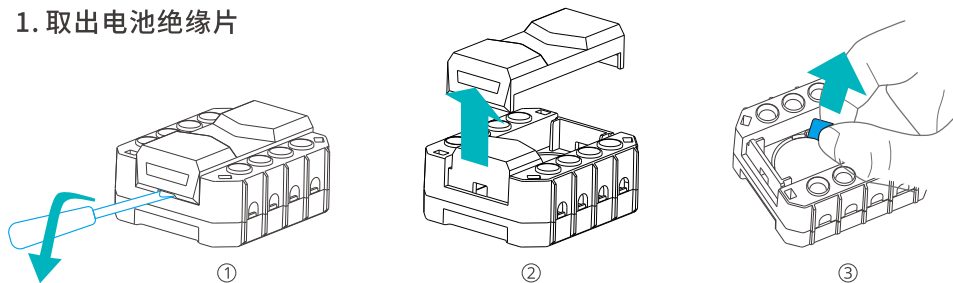
⚠ 设备重量 < 1Kg, 建议安装高度 < 2米。

功能特点

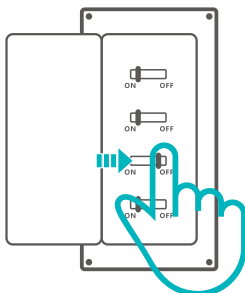
该设备为“易微联轻智能”控制模块，用来连接普通的翘板或脉冲开关。普通的开关如果断开，智能设备就会因此断电，从而无法进行控制，而该模块能解决开关断开，智能设备断电的问题。连接至该模块的开关通过“易微联轻智能”的方式去控制智能设备如 MINIR3 的开关。

使用说明

1. 取出电池绝缘片



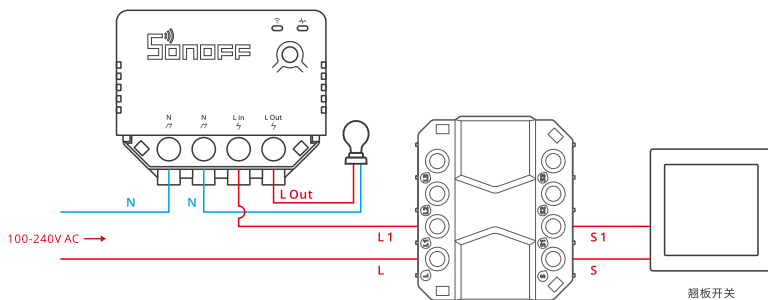
2. 断电



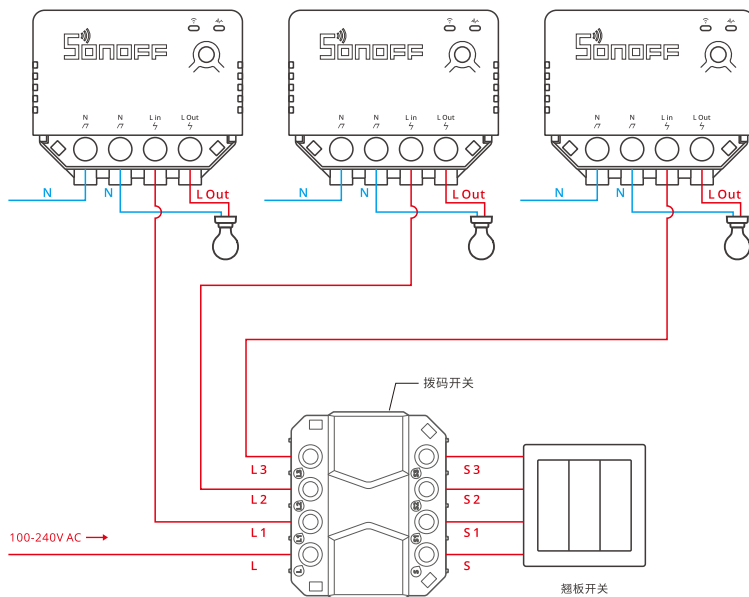
⚠ 设备安装、故障维修请由专业资质电工操作。切勿在设备通电时进行接线操作或触碰到接线端子，以免发生触电危险！

3. 接线

S-MATE 搭配一台 MINIR3 接线示意：



S-MATE 搭配三台 MINIR3 接线示意：



⚠ 拨码开关出厂默认在右边，如设备接自动回弹开关使用，请将拨码开关拨到左边。

⚠ 确保线路接入无误后，再上电。

将 MINIR3 与 S-MATE 连接的外接开关“学习绑定”

与 S-MATE 连接的开关相当于“易微联轻智能”遥控器
进入 eWeLink APP MINIR3 主界面, 再根据下图指引操作。



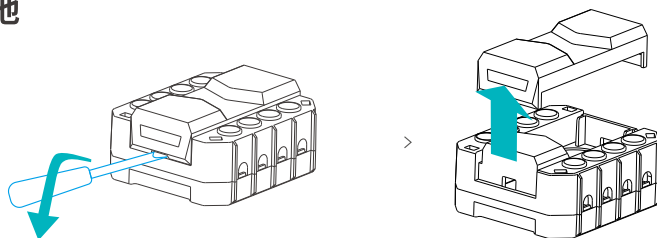
将 MINIR3 与 S-MATE 连接的外接开关“解除绑定”

在 eWeLink APP 已学习遥控器列表, 选择需要删除的遥控器, 删除即可。

产品参数

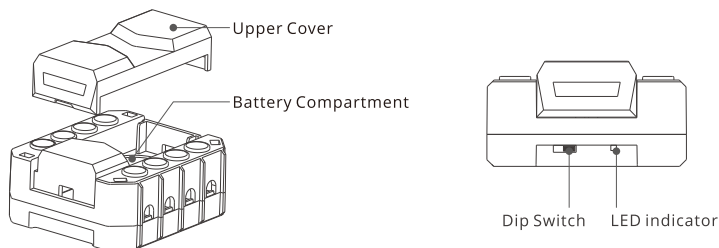
型号	S-MATE
输入	100-240V ~ 50/60Hz 16A Max
输出	100-240V ~ 50/60Hz 16A Max
供电	3V 纽扣电池 x 1
电池型号	CR2032
“易微联轻智能”发射距离	最大 50 米
工作温度	-10°C~40°C
外壳材料	PC V0
产品规格	51x44.5x24mm

更换电池



⚠ 更换设备电池时, 请断电再进行更换。

Product Introduction



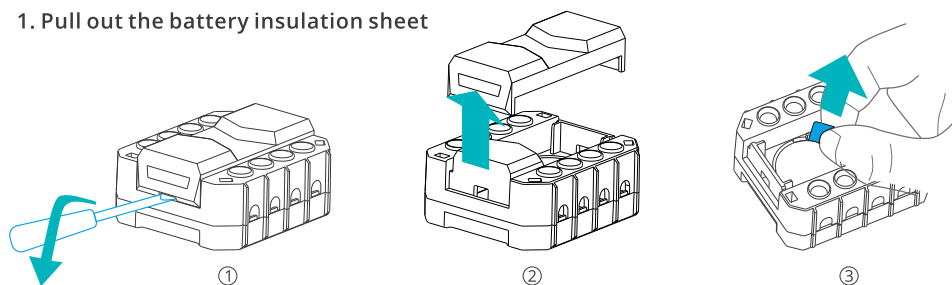
⚠ The device weight is less than 1 kg. The installation height of less than 2 m is recommended.

Features

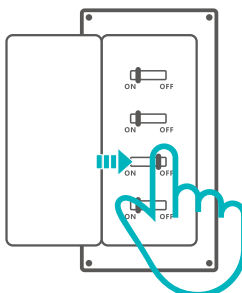
This is a module with "eWeLink Remote" that can connect with the ordinary rocker or pulse switch. The smart device will be cut off and out of control when the ordinary rocker switch is off. S-MATE is specially used to deal with this issue. After connecting with the rocker or pulse switch, smart device like MINIR3 can be controlled through "eWeLink Remote" of the module.

Operating Instruction

1. Pull out the battery insulation sheet



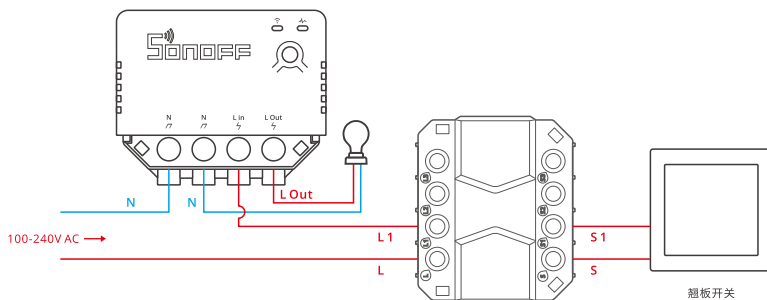
2. Power off



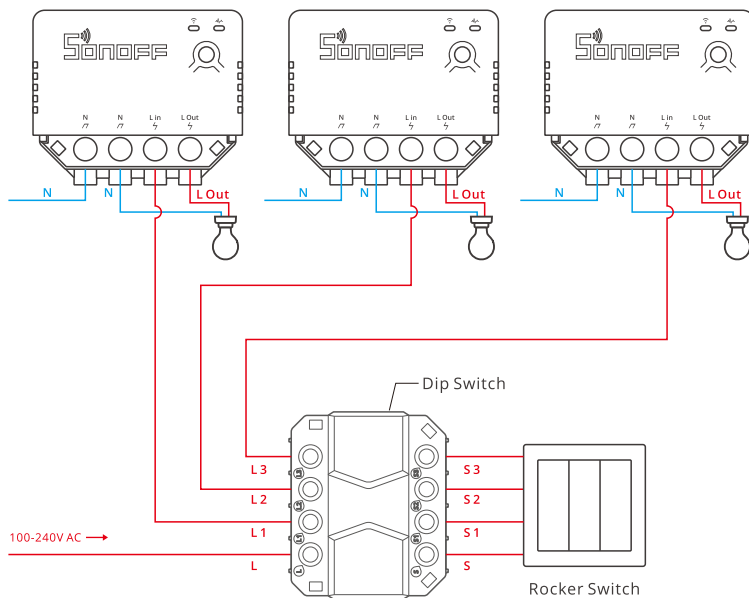
⚠ Please install and maintain the device by a professional electrician. To avoid electric shock hazard, do not operate any connection or contact the terminal connector after plugging in!

3. Wiring instruction

The wiring instruction of connecting the S-MATE with one MINIR3:



The wiring instruction of connecting the S-MATE with three MINIR3:

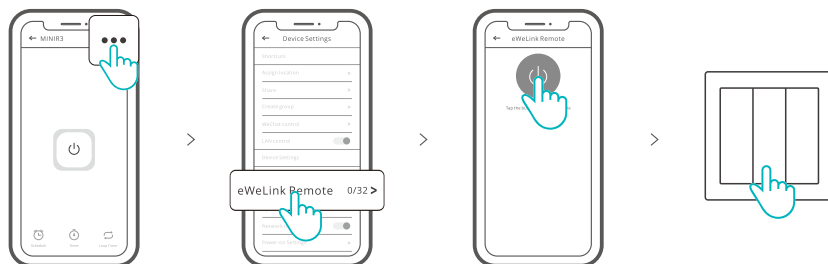


⚠ The dip switch is factory set to the right. Please toggle the dip switch to the left if connection a pulse switch to the device.

⚠ Make sure the neutral wire and live wire connection is correct.

The "Study Binding" of MINIR3 and the external switch connected to the S-MATE.

The switch connected to S-MATE can be used as a "eWeLink Remote" controller. Access the MINIR3 main interface of eWeLink APP and operate it according to the operation guide (as shown below).



The «Delete Binding" of MINIR3 and the external switch connected to the S-MATE.

Select the remote control that you want to clear in the learned remote control list in the eWeLink APP, then go to delete.

Specifications

Model	S-MATE
Input	100-240V ~ 50/60Hz 16A Max
Output	100-240V ~ 50/60Hz 16A Max
Power supply	3V button cell x 1
Battery model	CR2032
"eWeLink remote" Transmission Distance	Up to 50M
Working temperature	-10°C~40°C
Shell material	PC V0
Dimension	51x44.5x24mm

Replace batteries



⚠ Please turn off the electricity before replacing the battery of device.

FCC Warning

Changes or modifications not expressly approved by the party responsible for compliance could avoid the user's authority to operate the equipment.

This device complies with part 15 of the FCC Rules. Operation is subject to the following two conditions: (1) This device may not cause harmful interference, and (2) this device must accept any interference received, including interference that may cause undesired operation.

Note:

This equipment has been tested and found to comply with the limits for a Class B digital device, pursuant to part 15 of the FCC Rules. These limits are designed to provide reasonable protection against harmful interference in a residential installation. This equipment generates, uses and can radiate radio frequency energy and, if not installed and used in accordance with the instructions, may cause harmful interference to radio communications. However, there is no guarantee that interference will not occur in a particular installation. If this equipment does cause harmful interference to radio or television reception, which can be determined by turning the equipment off and on, the user is encouraged to try to correct the interference by one or more of the following measures:

- Reorient or relocate the receiving antenna.
- Increase the separation between the equipment and receiver.
- Connect the equipment into an outlet on a circuit different from that to which the receiver is connected.
- Consult the dealer or an experienced radio/TV technician for help.

Hereby, Shenzhen Sonoff Technologies Co., Ltd. declares that the radio equipment type S-MATE is in compliance with Directive 2014/53/EU. The full text of the EU declaration of conformity is available at the following internet address:

<https://sonoff.tech/usermanuals>



Shenzhen Sonoff Technologies Co., Ltd.

1001, BLDG8, Lianhua Industrial Park, shenzhen, GD, China
ZIP code: 518000 Website: sonoff.tech

