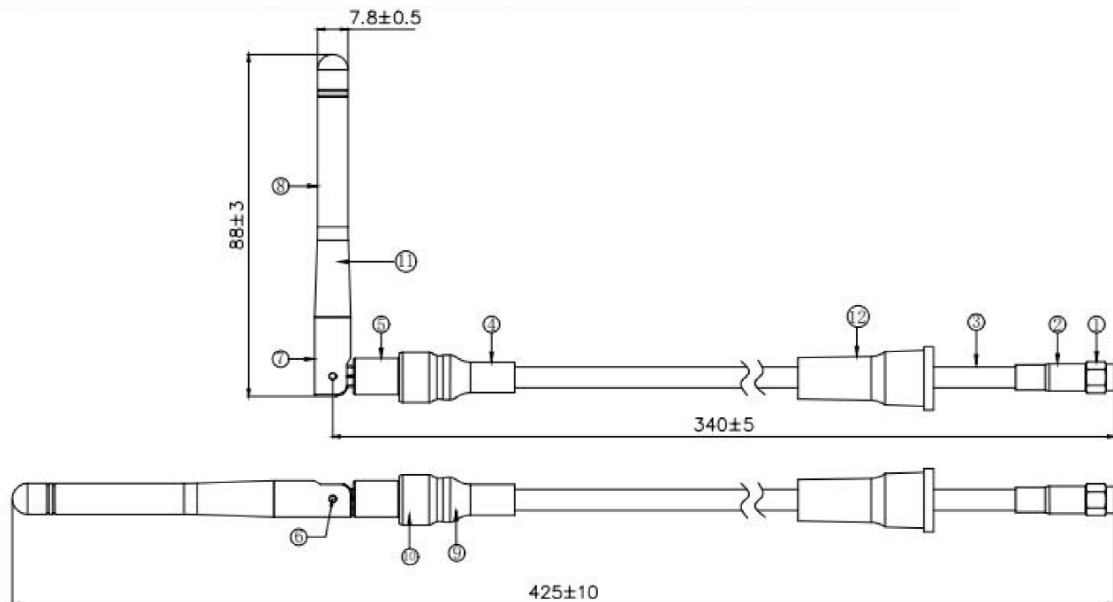


Antenna Specification

1. Antenna Describe

Antenna Manufacturer	Dongguan Youbi Electronics Co. , Ltd
Antenna Address	Room 101, Building 2, No.9, Xinfu Road, Lin Village, Tangxia Town, Dongguan, Guangdong, China
Antenna Model	UB02C300W2D5059A
Antenna Type	External Antenna
Antenna Gain	2.15dBi Max
Frequency Rang	2400-2500MHz
VSWR	≤ 2
Input Impedance	50 Ω

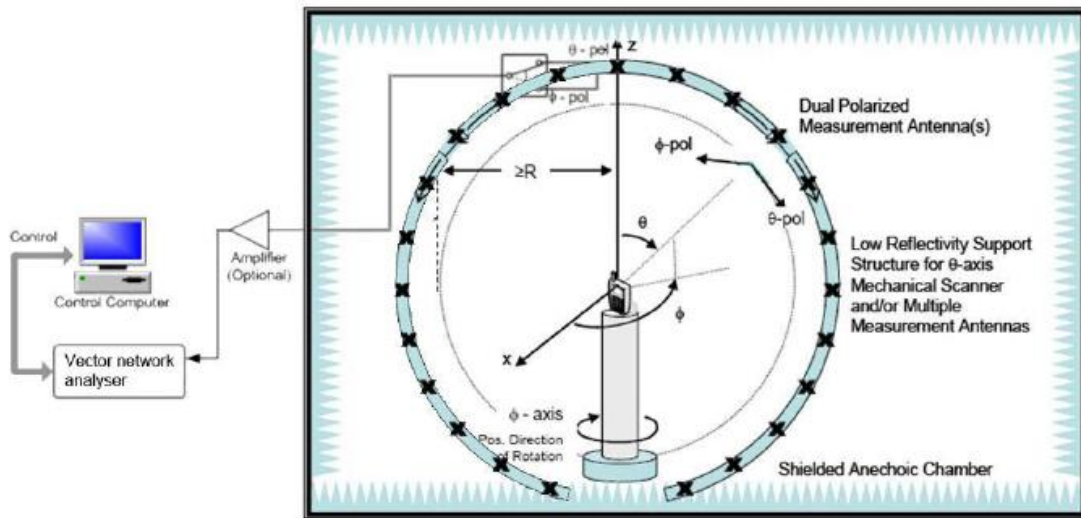
2. External View Drawing



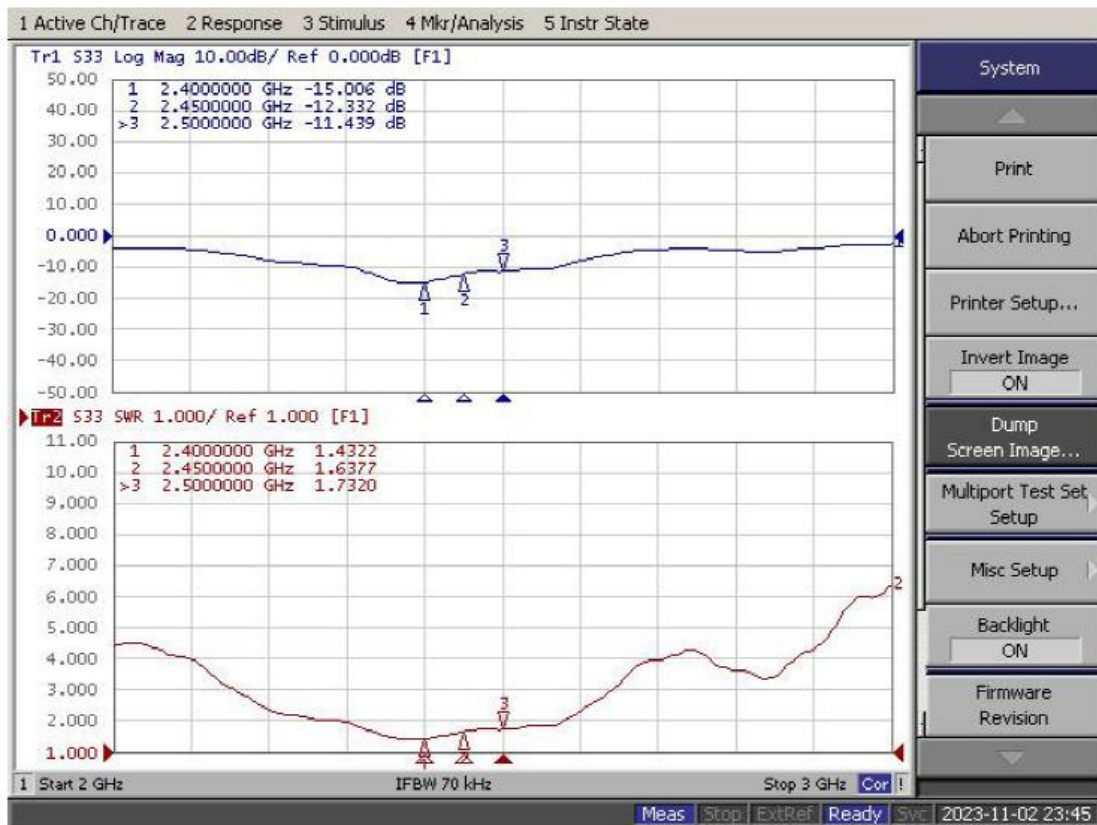
Unit: mm

3. Measurement Result

3.1 Test Setup



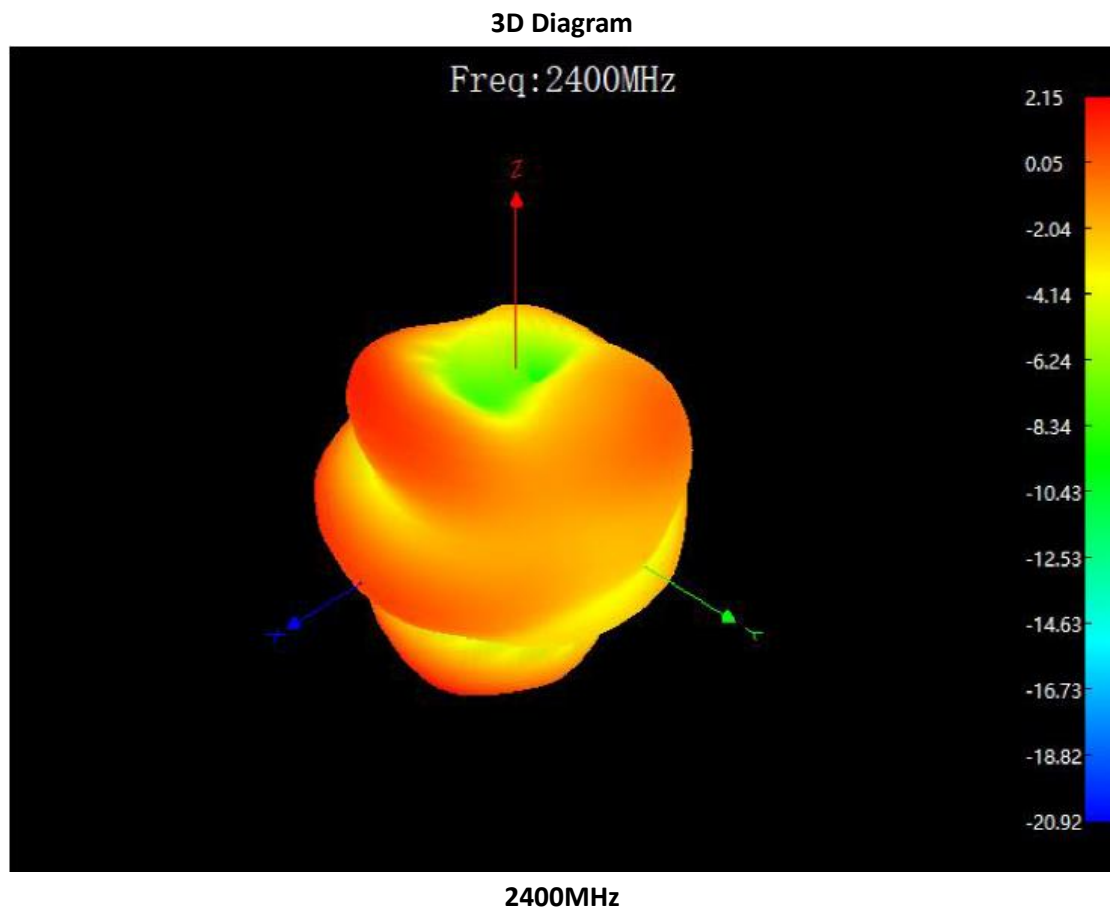
3.2 S Parameter

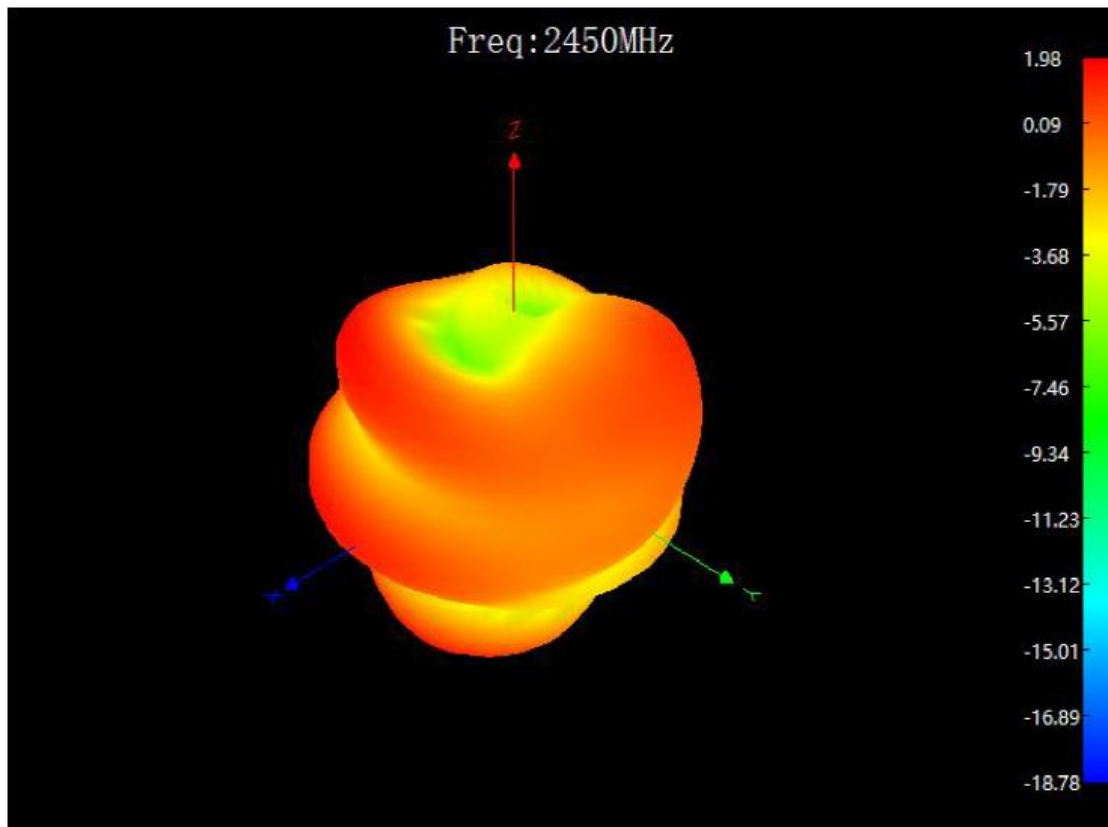


3.3 Antenna test data

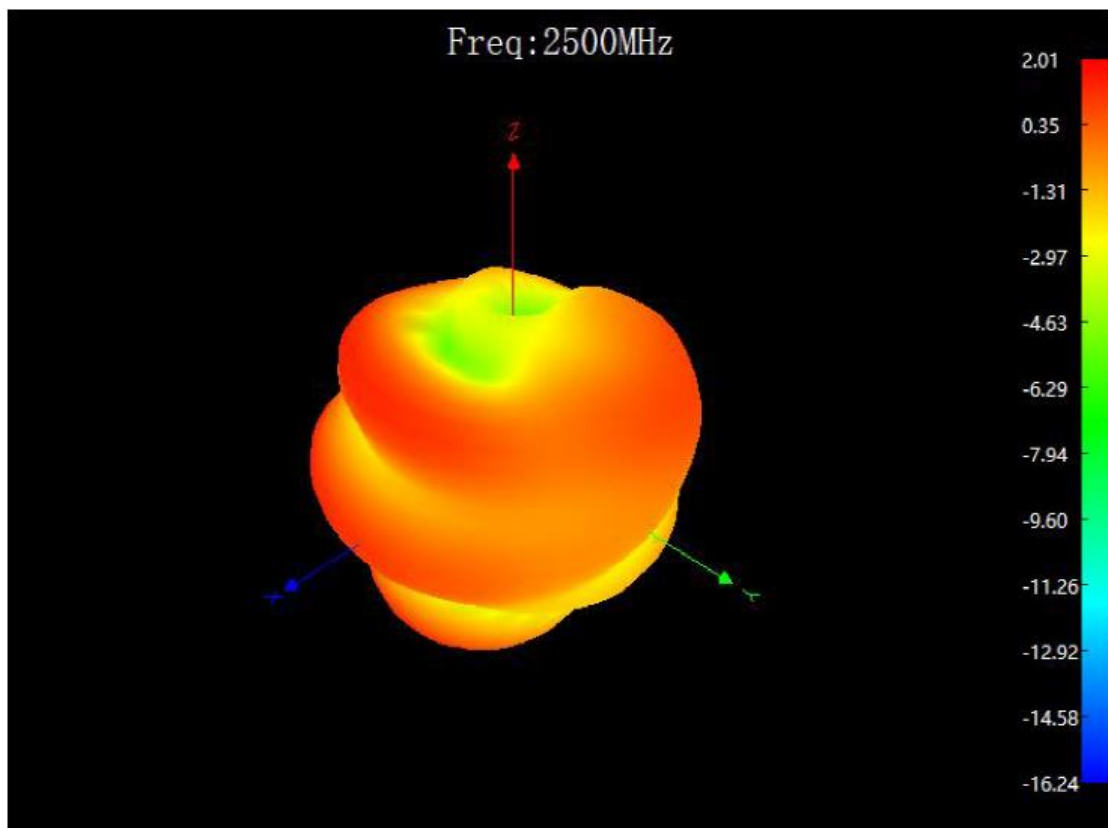
Frequency (MHz)	Peak Gain (dBi)	Efficiency (%)
2400	2.15	75.68
2450	1.98	72.61
2500	2.01	66.68

3.4 Antenna test diagram



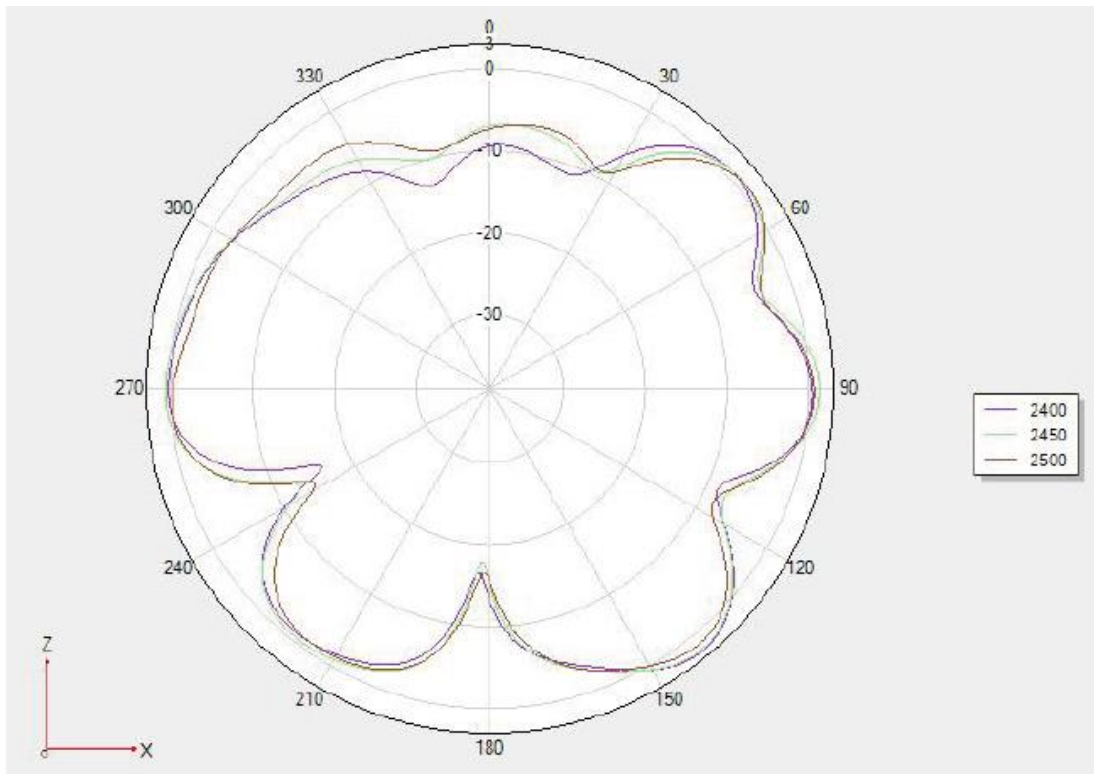


2450MHz

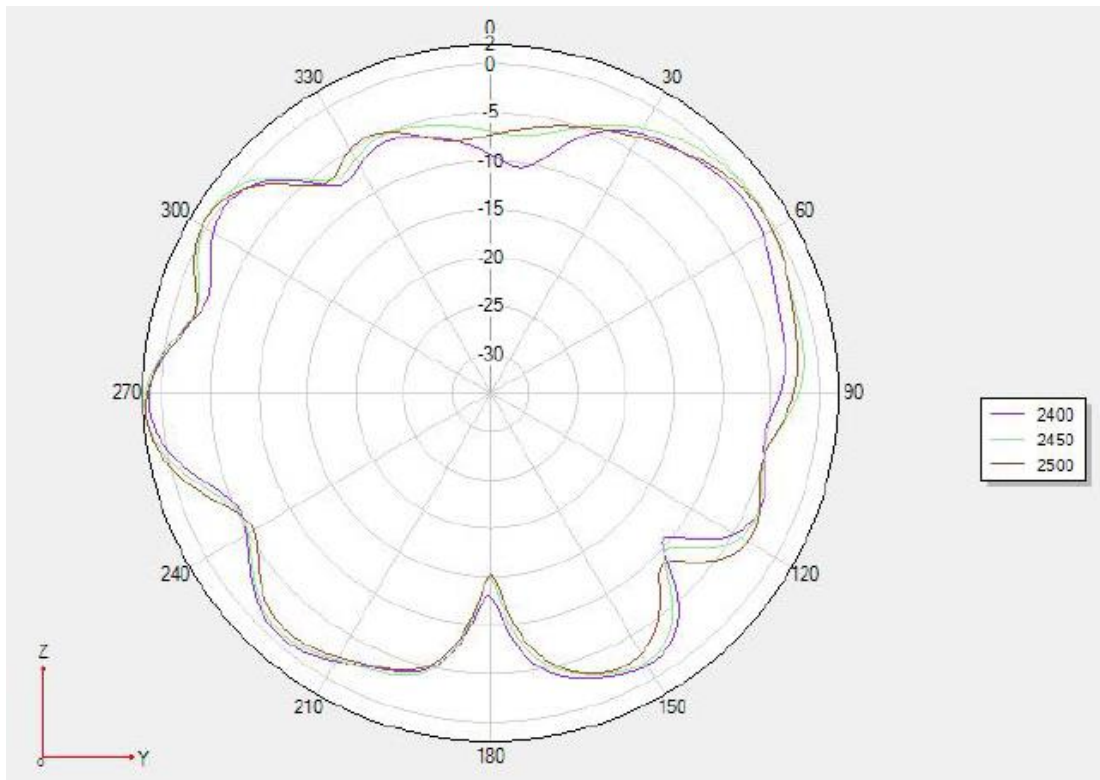


2500MHz

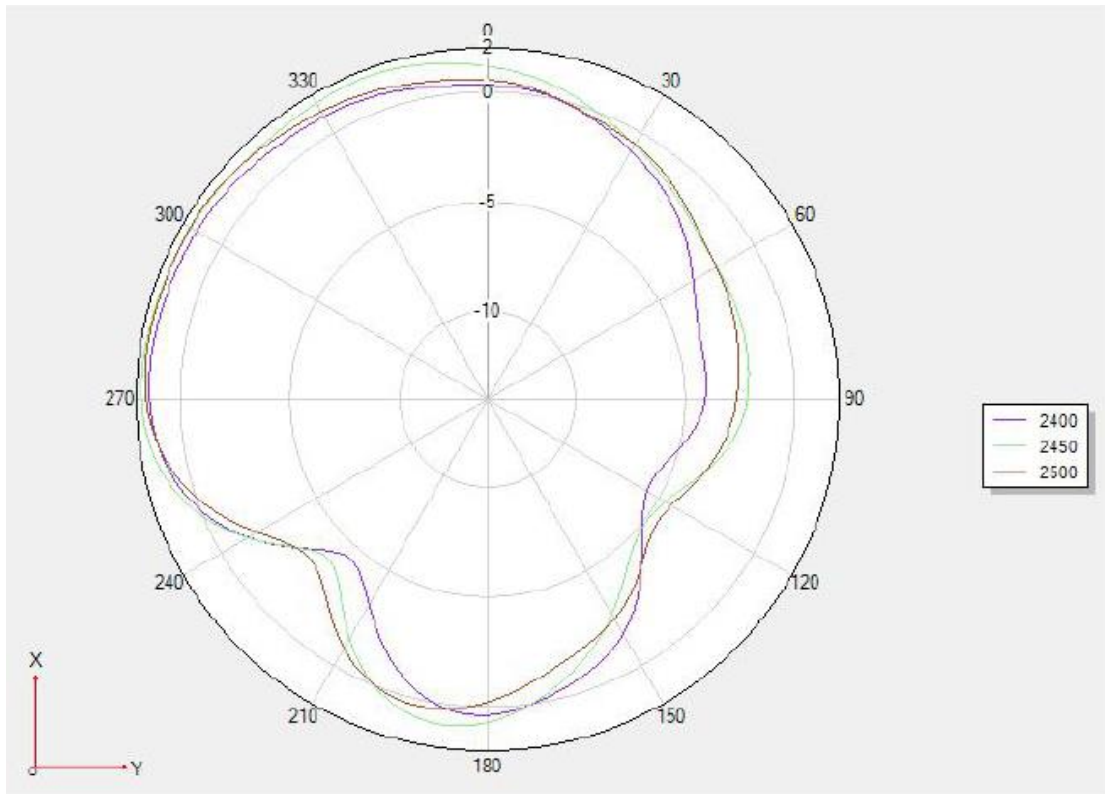
2D Diagram



Phi 0



Phi 90



Theta 90