

antenna SPECIFICATION

Product description: 2.4G FPC Antenna

Uni Link's part number: GDT-AZ-DP-50

Issue Date: 2022-07-01

Note: 2400-2500MHZ

Manufacturer: Shenzhen Guandetong Electronic Co., Ltd.

Address: No. 301, 1# Road, Xiawei Industrial Area, Zhangkengjing

Community, Guanhu Street, Longhua Distric, Shenzhen

1、(PRODUCT TECHNICAL SPECIFICATION)

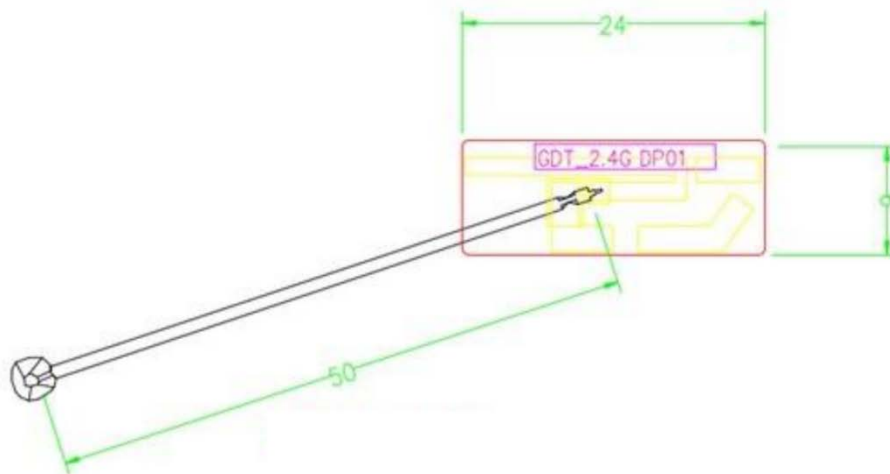
Electrical Specifications	
Frequency Range (MHz)	2400-2500
Input Impedence (Ω)	50
V.S.W.R	≤ 2
Gain (dBi)	2.38
Polarization Type	Horizontal
Power Capacity (w)	50
Mechanical Specifications	
Antenna Length (mm)	mm
Radiator	Cuprum
Connect Type	IPEX 1
Working Temp($^{\circ}\text{C}$)	-10~40

Storage Temperature(°C)	-40~85
antenna size	24mmx 9mm

2、PRODUCT PICTURE

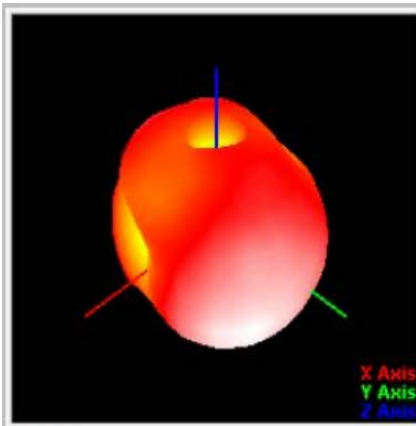


3、PRODUCT SPECIFICATION CHART



4、Antenna Gain

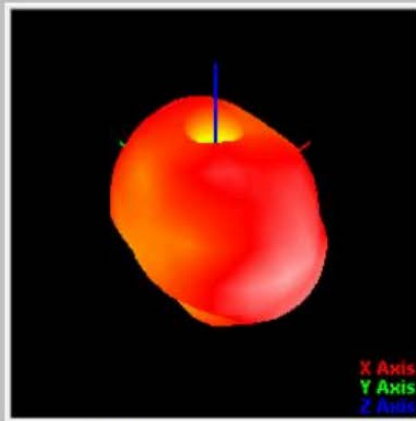
Test Point ID	Freq. (MHz)	TRP (dBm)	Gain (dBi)	Directivity (dBi)	Efficiency (%)	Efficiency (dB)	Max (dBm)	Theta of Max	Phi of Max	Min (dBm)	Theta of Min	Phi of Min	AVG (dBm)	Max/Min (dB)	Max/AVG (dB)	Min/AVG (dB)
1	2400.0	2400.00	1.05	5.20	38.5%	-4.15	1.05	90	60	-95.99	0	0	-4.31	97.04	5.35	-91.68
2	2410.0	2410.00	1.26	5.39	38.6%	-4.14	1.26	90	60	-95.99	0	0	-4.11	97.25	5.36	-91.88
3	2420.0	2420.00	1.60	5.58	40.0%	-3.98	1.60	90	60	-95.99	0	0	-3.73	97.59	5.32	-92.26
4	2430.0	2430.00	2.12	5.66	44.2%	-3.54	2.12	90	60	-95.99	0	0	-3.17	98.11	5.29	-92.82
5	2440.0	2440.00	1.86	5.59	42.3%	-3.73	1.86	90	60	-95.99	0	0	-3.46	97.85	5.32	-92.53
6	2450.0	2450.00	2.03	5.68	43.1%	-3.66	2.03	105	60	-95.99	0	0	-3.42	98.02	5.45	-92.57
7	2460.0	2460.00	2.33	5.84	44.6%	-3.51	2.33	105	60	-95.99	0	0	-3.32	98.32	5.65	-92.67
8	2470.0	2470.00	2.38	5.74	46.1%	-3.36	2.38	105	60	-95.99	0	0	-3.41	98.37	5.79	-92.58
9	2480.0	2480.00	2.08	5.36	46.9%	-3.29	2.08	105	60	-95.99	0	0	-3.74	98.07	5.81	-92.25
10	2490.0	2490.00	1.77	5.23	45.1%	-3.46	1.77	105	60	-95.99	0	0	-4.01	97.76	5.78	-91.98
11	2500.0	2500.00	1.75	5.14	45.8%	-3.39	1.75	105	60	-95.99	0	0	-4.00	97.74	5.75	-91.99



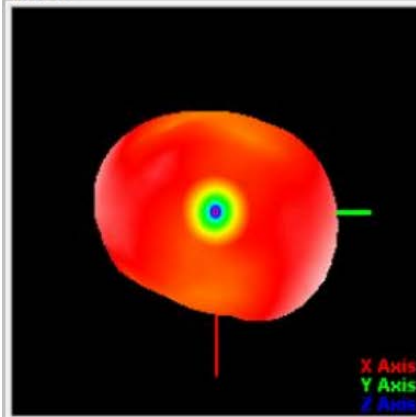
T45-P45



2.12
-3.65
-9.42
-15.19
-20.96
-26.74
-32.51
-38.28
-44.05
-49.82
-55.59
-61.36
-67.13
-72.9
-78.68
-84.45
-90.22
-95.99



T45-P225



2.12
-3.65
-9.42
-15.19
-20.96
-26.74
-32.51
-38.28
-44.05
-49.82
-55.59
-61.36
-67.13
-72.9
-78.68
-84.45
-90.22
-95.99

Coordination System Description:
Line Color XYZ Theta-Phi
Red L. Axis X Theta90-Phi0
Green L. Axis Y Theta90-Phi90
Blue L. Axis Z Theta0