

## Remote Wireless BBQ & Meat Thermometer

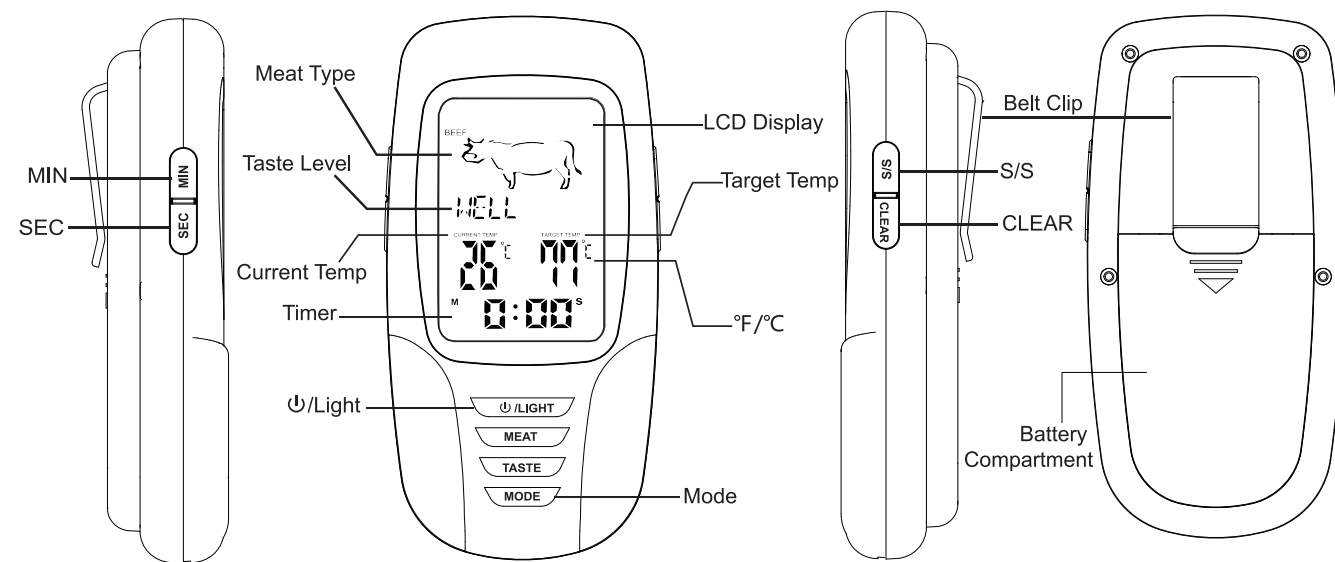
### Introduction

Thank you for purchasing the professional Remote Wireless BBQ & Meat Thermometer, a programmable radio frequency food thermometer. Now you will be able to remotely monitor the temperature of cooking food and the temperature inside your grill, oven or smoker from anywhere in your home.

### The main technical parameters

- Wireless transmission distance: ≤328ft. (≤100 m).
- Synchronize/Pair Transmitter and Receiver.
- Temperature range: -4°F to 572°F (-20°C to 300°C).
- Temperature readings in Celsius or Fahrenheit.
- Probe temp displayed to 1 Degree.
- Programmable alert with preset temperature for specific foods.
- Count up and countdown timer, the maximum setting is 99 minutes and 59 seconds.
- Back light Auto off after 10 seconds without any operation.

### Receiver Features

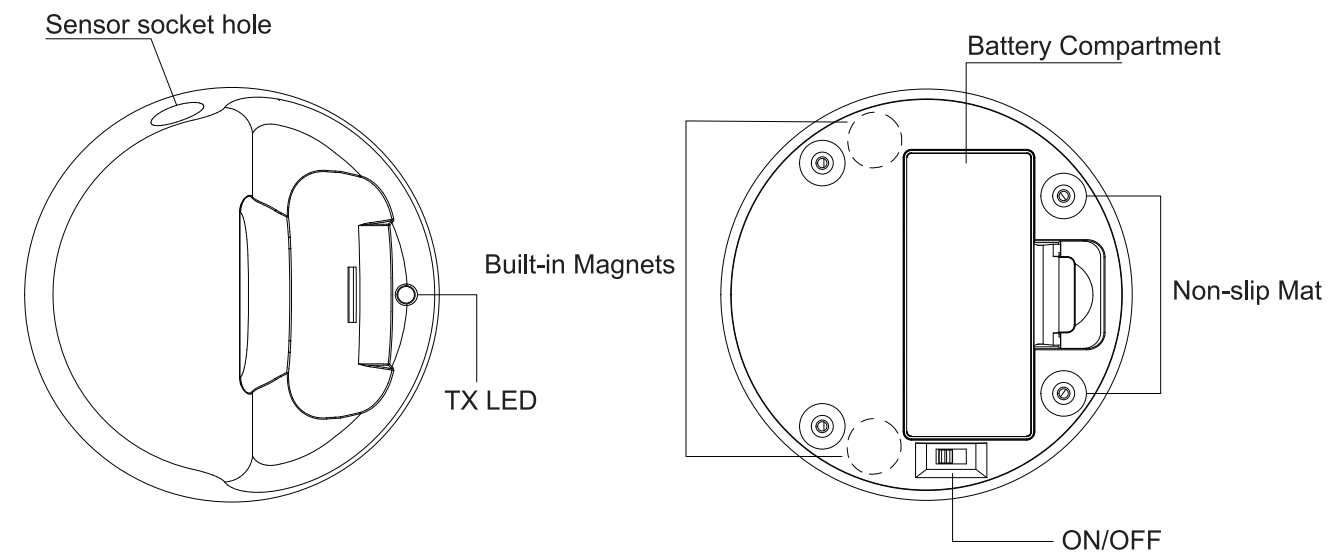


- LCD ( Liquid Crystal Display) – Displays all icons, temperature and time.
- Meat type – 8 different Meat types ( BEEF, LAMB,VEAL,HAMBURGER,PORK,TURKEY,CHICKEN,FISH).
- Taste level–5 different Taste levels (WELL, MEDIUM WELL, MEDIUM, MEDIUM RARE, RARE).
- Current Temp – Current temperature of cooking food.
- Target Temp – Programmable alert with preset temperature for specific foods.
- °F or °C– To select temperature readings in Celsius or Fahrenheit.
- 99-minute,59-second countdown timer and count up timer.
- Battery compartment – Holds 2 AAA batteries.
- Belt clip – Belt clip allows you to be mobile. Clip the receiver unit to belt.

### Buttons

1. ⏻/LIGHT – Press and hold for 3 seconds to turn on/off the receiver, Press once to turn on the backlight.
2. MEAT – Press to select the meat type.
3. TASTE – Press to select the meat taste level.
4. MODE – Press once to select temperature readings in Celsius or Fahrenheit.  
Press and hold for 3 seconds to enter target temperature manual setting mode.  
In setup mode, press once to confirm the current setting.
5. MIN – In thermometer mode (Manual setting mode), press once to increase the temperature value. Press and hold for 2 seconds,the temperature value will increase at a faster pace.  
In timer mode, press once to increase Minute setting. Press and hold for 2 seconds, the minutes will increase at a faster pace.
6. SEC – In thermometer mode (Manual setting mode), press once to decrease the temperature value. Press and hold for 2 seconds,the temperature value will decrease at a faster pace.  
In timer mode, press once to increase Second setting. Press and hold for 2 seconds, the seconds will increase at a faster pace.
7. S/S – In timer mode, when the timer setting is set, press once to start the timer. When the timer is running, press once to pause the timer.
8. CLEAR– Press to clear timer setting ( The timer in working mode, need to pause the timer firstly).

### Transmitter Features



- TX LED.
- Sensor socket hole – Plug- in for stainless steel probe.
- Battery Compartment – holds 2 AAA batteries.
- Slide button to control on/off of transmitter.
- Built-in Magnets.
- Non-slip Mat.

### Preset USDA doneness temperature

1. In Thermometer mode, Press MEAT to select meat type: BEEF, LAMB, VEAL, HAMBURGER, PORK, TURKEY, CHICKEN and FISH.
2. Press TASTE to select the level of doneness for the meat type selected: WELL, MEDIUM WELL, MEDIUM, MEDIUM RARE and RARE.  
Note: The temperature displayed TARGET TEMP will show the preset temperature according to USDA doneness levels.  
Example: Beef will be WELL at 170°F (Some types of meat do not support the selection of all tastes).
3. Once the temperature of meat reaches the preset doneness level, the receiver will beep and the LCD backlight will be turned to red. Press any button to stop the beep.

### User-defined Temperature (Manual setting mode)

1. Press and hold MODE for 3 seconds to enter manually setting mode ( the value is blinking), Press MIN or SEC to raise or lower the set temperature.
2. After setting, press MODE once to confirm.
3. Once the temperature of meat reaches the preset doneness level, the receiver will beep and the LCD backlight will be turned to red. Press any button to stop the beep.

### Timer Mode

#### Count up

1. The timer M 0:00S will be shown in the bottom of the display. If the timer setting is not 0:00, press CLEAR to clear the setting to 0:00.
2. Press the S/S to start count up. The maximum count up that can be reached is 99 minutes and 59 seconds.
3. To stop the count up process, press the S/S, The digits becomes solid.

#### Count down

1. Press MIN to adjust minute setting, Press SEC to adjust second setting.
2. After setting, press S/S to start the timer.
3. To pause the countdown process, press the S/S. The digits becomes solid. Press the S/S to continue the timer.
4. When countdown timer reaches 00:00, an alarm will sound and backlight will be on for 60 seconds.

### Cautions:

- Do not expose the stainless steel probe to direct heat
- Always wear a heat resistant glove to touch the stainless steel probe sensors or wires during or just after cooking.  
Do not touch with bare hands.
- Keep the stainless steel probe sensors and wires away from children.
- Clean the stainless steel probes and dry thoroughly after each and every use.
- Do not use the unit in the rain. It is NOT rain proof.
- Do not expose the plugs of the stainless steel probes or the plug in holes of the transmitter to water or any liquid.  
This will result in a bad connections and faulty readings.
- Do not expose the receiver or transmitter to direct heat.
- Do not use stainless steel probes in a microwave oven.
- Not Intended for use by persons aged 12 and under.

**FCC Statement**

This equipment has been tested and found to comply with the limits for a Class B digital device, pursuant to part 15 of the FCC rules. These limits are designed to provide reasonable protection against harmful interference in a residential installation. This equipment generates, uses and can radiate radio frequency energy and, if not installed and used in accordance with the instructions, may cause harmful interference to radio communications. However, there is no guarantee that interference will not occur in a particular installation. If this equipment does cause harmful interference to radio or television reception, which can be determined by turning the equipment off and on, the user is encouraged to try to correct the interference by one or more of the following measures:

- Reorient or relocate the receiving antenna.
- Increase the separation between the equipment and receiver.
- Connect the equipment into an outlet on a circuit different from that to which the receiver is connected.
- Consult the dealer or an experienced radio/TV technician for help.

To assure continued compliance, any changes or modifications not expressly approved by the party.

Responsible for compliance could void the user's authority to operate this equipment. (Example- use only shielded interface cables when connecting to computer or peripheral devices).

This equipment complies with Part 15 of the FCC Rules. Operation is subject to the following two conditions:

- (1) This device may not cause harmful interference, and
- (2) This device must accept any interference received, including interference that may cause undesired operation.

**FCC Radiation Exposure Statement:**

The equipment complies with FCC Radiation exposure limits set forth for uncontrolled environment. This equipment should be installed and operated with minimum distance 20cm between the radiator and your body.

Any Changes or modifications not expressly approved by the party responsible for compliance could void the user's authority to operate the equipment.