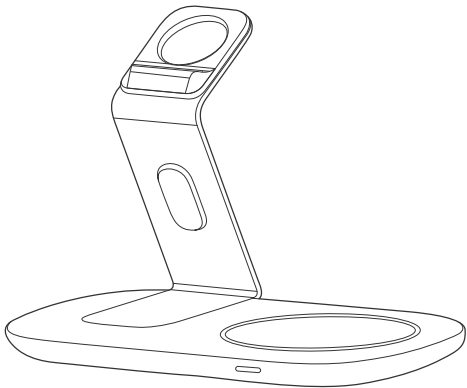


**USER
MANUAL**



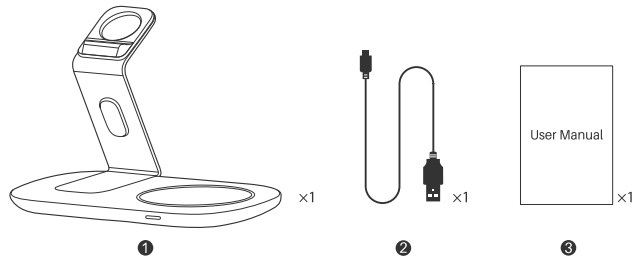
Package List / パッケージの内容 03

English 04-13

Thanks for choosing our Wireless Charger! This wireless charging stand allows you to freely use your smartphone. Please read the user manual carefully and keep it for future reference.

For any inquires or comments concerning our products, please contact us and we will respond to you as soon as possible.

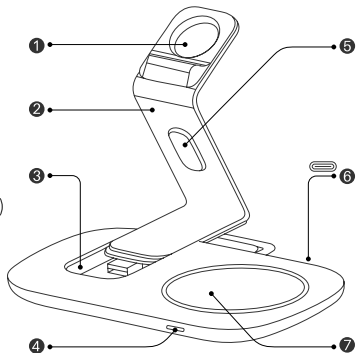
PACKAGE LIST /



- ① Wireless Charging stand
- ② 3.3 ft Micro-USB Cable
- ③ User manual

DIAGRAM

- 1 Apple Watch Charger Slot
- 2 Removable Charging Stand
- 3 Cable Storage Slot
- 4 Indicator Light
- 5 Silicone Coil
- 6 Charging Port (Micro USB Port)
- 7 Wireless Charging Surface

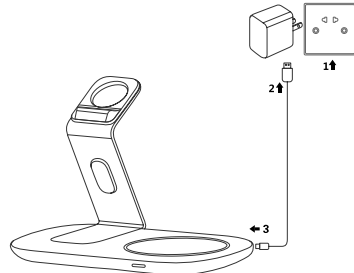


INSTRUCTIONS

1. Connect the USB cable port to the power adapter and then plug the other side into the micro port of the charging stand.

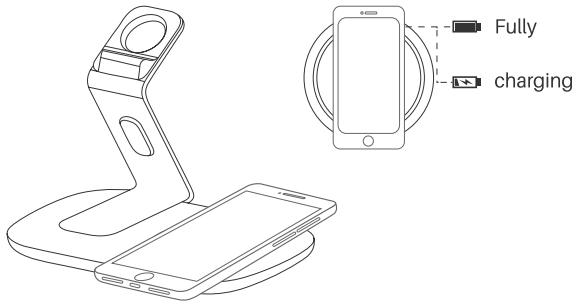
Notes:

- A lower power may result in longer charging time, charging errors or lower charging efficiency. Charging with 5V/2A adapter is highly recommended.
- Quick charge 2.0/ 3.0 adapter and data cable are needed for fast wireless charger (Samsung: Galaxy S9 / S9+ / S8 / S8+ / Note8 / S7/ S7 Edge / S6 Edge+ / Note 5; iPhone: X / 8 / 8 plus).



2. Place a mobile phone on the charger.

- Check the charging icon displayed on the mobile phone's screen for the charging status.



INDICATOR LIGHT	
Working status	Color of indicator light
Connect to a power outlet/ standby	The indicator light flashes blue, red and green alternately for once and then goes off
On charge	The blue indicator light stays on
Improper charge	The red indicator light flashes
Fully Charged	Samsung: Green indicator light stays on iPhone: Blue indicator light stays on

3. Phones Supporting Qi Charging

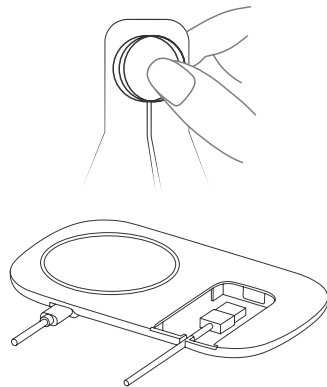
- Samsung Galaxy S9 / S9+/S8 / S8 +/ Note8 / S7 / S7 Edge / Galaxy S6 / S6 Edge / S6 Edge Plus /Note5
- iPhone X / 8 / 8plus
- Nokia Lumia 920 / 1020 / 928 / 1520
- Google Nexus 4 / 5 / 6

4. Models Requiring a Wireless Qi Receiver (For QC incompatible phones)

- Samsung Galaxy Note 2 / Note 3 / Note 4 / S3 / S4/ S5
- iPhone7 / 7plus / 6 / 6S/ 6 plus / 5C / 5S / 4 / 4S
- Nokia 720 / 820

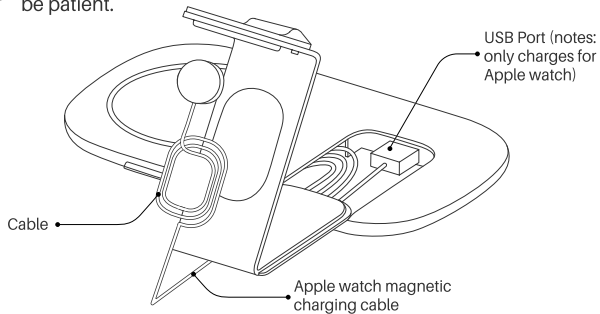
5. Install Apple watch magnetic charging cable to the wireless charging stand

- Firstly, please press the charging area of the Apple watch magnetic charging cable into the silicone head of aluminum stand from the back direction.
- Secondly, insert the USB plug to the USB port inside the Apple Watch Charger Slot.



- Thirdly, please place the cable into the storage slot (and the rest of the cable can be coiled on the silicone coil), then slide the aluminum stand into the wireless charging pad.

😊 Warm prompt : It may be a little complex to sort out the cable. Please be patient.



ATTENTION

- The Apple watch magnetic charging cable is not included.
- The power adapter is not included.
- Please keep the charger away from water or other liquids.
- Do not place too close to any magnetic stripe or clip card (ID card, bank cards, etc.) to avoid magnetic failure.
- This item is not to be used on any mobile device with metal plates, because it will cause extreme heat that may burn and/or damage the device.
- Fast charge via the plug and data cable (both support QC 2.0 or QC 3.0).

FCC Warning

Any Changes or modifications not expressly approved by the party responsible for compliance could void the user's authority to operate the equipment.

This device complies with part 15 of the FCC Rules.

Operation is subject to the following two conditions:

- (1) This device may not harmful interference cause interference, and
- (2) this device must accept any interference received, including interference that may cause undesired operation.

FCC Radiation Exposure Statement:

This equipment complies with FCC radiation exposure limits set forth for an uncontrolled environment .

This transmitter must not be co-located or operating in conjunction with any other antenna or transmitter.

This equipment should be installed and operated with minimum distance 20cm between the radiator &you body.

CORRECT DISPOSAL OF THIS PRODUCT



(Waste Electrical & Electronic Equipment)

This Marking shown on the product or its literature, indicate that it should not be disposed with other household wastes at the end of its working life.

To prevent possible harm to the environment or human health from uncontrolled waste disposal, please separate this from other types of wastes and recycle it responsibly to promote the sustainable reuse of material resources.

Household user should contact either the retailer where they purchased this product, or their local government office, for details of where and how they can take this item for environmentally safe recycling.

Business users should contact their supplier and check the terms and conditions of the purchase contract. This product should not be mixed with other commercial wastes for disposal.