



Artwork

ARTWORK SPECIFICATION
ESSENTIAL2 ROBIN FHD (2D barcode with 5x5)

REVISION: 09 2023-03-14

REVISION NOTES:
rev 05: added FHD
rev 07: Japan delayed
rev 09: 2D barcode to be etched with 5x5

SCALE:1:1 DESIGNER: [CP]

COLOR STANDARDS USED:

WHITE

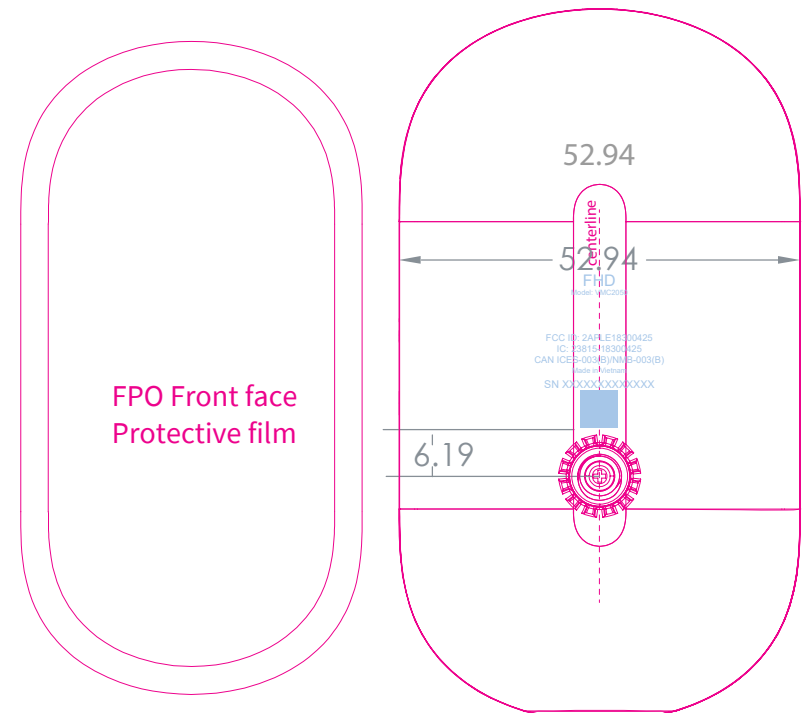
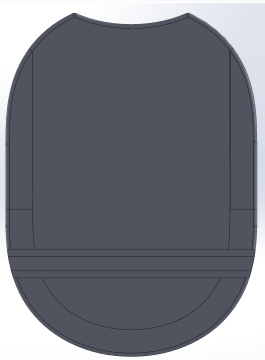
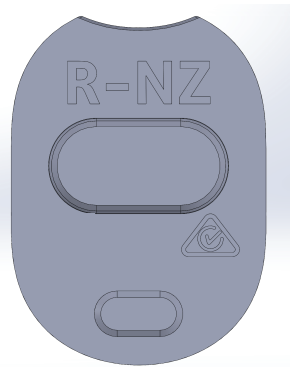
laser etch Pantone Cool grey 6 C

NOTES:

1. REFER TO ARLO SPEC. DOC-50093 FOR COLOR TOLERANCES.
2. INK COLOR IS SHOWN TO THE RIGHT.
3. DIE LINES ARE MAGENTA COLOR AND DO NOT PRINT.

scale 1:1

molded onto
the cover



back enclosure

AUTHOR:	TITLE: SSD-50048-01 Outdoor Battery		
SHEET: 1 of 1	FHD THIS DOCUMENT AND THE DATA DISCLOSED HEREIN OR WHEREWITH IS NOT TO BE REPRODUCED, USED OR DISCLOSED IN WHOLE OR IN PART TO ANYONE WITHOUT THE PERMISSION OF ARLO, INC.	P/N:	REV: 09