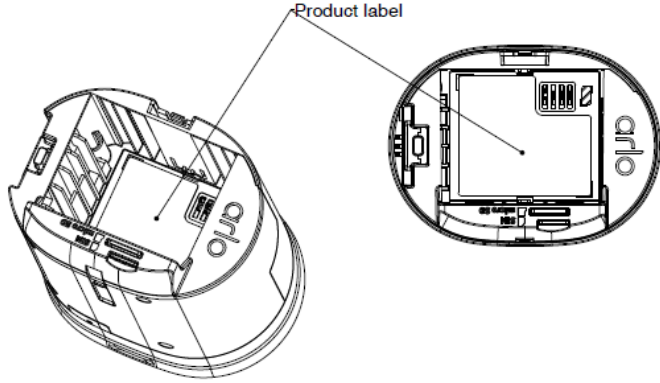


<b>Brand Name</b>	Arlo
<b>Model Name</b>	VMC4060P



arlo  
**Pro 5S 2K**  
 Model: VMC4060P

This device complies with Part 15 of the FCC Rules.  
 Operation is subject to the following two conditions:  
 (1) this device may not cause harmful interference, and  
 (2) this device must accept any interference received,  
 including interference that may cause undesired operation.



FCC ID: 2APLE18300422  
 IC: 23815-18300422  
 CAN ICES-003(B)/NMB-003(B)

S/N

Made in Vietnam    Input Rating: 5V  $\overline{=}$  2A or 9V  $\overline{=}$  1A    272-50121-01