



權億科技股份有限公司

Master Wave Technology Co., Ltd.

承認書

APPROVAL SHEET

Customers: 鴻海精密工業(股)公司

Customer Model No.:

Master Wave Model No.: 907X01069X0

Product Description: Arlo siren上部天線鐵件+Holder

Issue Date: 2023. 02. 06

REV.: 03

客戶承認用印 Customer Approved		權億承認用印 Confirmation Signature	
			
核准 Approve	主管 Chief	承辦 Responsible	
Tony	Pierce	Alice	

MASTER WAVE TECHNOLOGY CO., LTD.

權億科技股份有限公司

Address: No. 19, Hezun N. Rd., Zhongli Dist., Taoyuan City 320, Taiwan (R.O.C.)

Tel: +886-3-4529998 Fax: +886-3-4522866

Suzhou Shengyih Electronics Plastic Co. Ltd (Shou Zhou)

聲億電子塑膠有限公司(蘇州廠)

Address: A10, Suzhou Creek Business District, 169 Changhong North Road, Luzhi Town, Wuzhong District, Suzhou Province, China

Tel: +86-512-65046030 Fax: +86-512-65046033

Shengyih Electronic Co. Ltd (Dongguan)

聲億電子有限公司(東莞廠)

Address: Mu-Lun Administration Area, Changping Town, Dongguan City, Guangdong Province, China

Tel: +86-769-83914045 Fax: +86-769-83914046

Shengyih Electronic Co. Ltd (Dongguan)

聲毅電子有限公司(東莞廠)

Address: No.3, West Shahukou Industrial Park, Changping Town, Dongguan city, Guangdong Province, China

Tel: +86-769-38983288 Fax: +86-769-38852280



權億科技股份有限公司

Master Wave Technology Co., Ltd.

承認書

APPROVAL SHEET

Customers: 鴻海精密工業(股)公司

Customer Model No.:

Master Wave Model No.: 907X01070X0

Product Description: Arlo siren下部天線鐵件+Holder

Issue Date: 2023. 02. 06

REV.: 05

客戶承認用印 Customer Approved		權億承認用印 Confirmation Signature	
			
核准 Approve	主管 Chief	承辦 Responsible	
Tony	Pierce	Alice	

MASTER WAVE TECHNOLOGY CO., LTD.

權億科技股份有限公司

Address: No. 19, Hezun N. Rd., Zhongli Dist., Taoyuan City 320, Taiwan (R.O.C.)

Tel: +886-3-4529998 Fax: +886-3-4522866

Suzhou Shengyih Electronics Plastic Co. Ltd (Shou Zhou)

聲億電子塑膠有限公司(蘇州廠)

Address: A10, Suzhou Creek Business District, 169 Changhong North Road, Luzhi Town, Wuzhong District, Suzhou Province, China

Tel: +86-512-65046030 Fax: +86-512-65046033

Shengyih Electronic Co. Ltd (Dongguan)

聲億電子有限公司(東莞廠)

Address: Mu-Lun Administration Area, Changping Town, Dongguan City, Guangdong Province, China

Tel: +86-769-83914045 Fax: +86-769-83914046

Shengyih Electronic Co. Ltd (Dongguan)

聲毅電子有限公司(東莞廠)

Address: No.3, West Shahukou Industrial Park, Changping Town, Dongguan city, Guangdong Province, China

Tel: +86-769-38983288 Fax: +86-769-38852280



Table of Contents

Item

1. Antenna Description

- Type
 - Manufacturer
-

2. Antenna Specifications

- Drawing
-

3. Test Report (With Case & With Matching)

- Test Procedure
- Equipment List
- Test Setup Photo
- Electrical test
- Antenna Efficiency
- Pattern Test
- Antenna Photo

Modification History:

REV.	Date	Content
00	2019.03.26	
01	2019.09.24	天線尾端長度縮短
02	2021.07.19	更新測報
03	2022.02.17	圖面新增註解說明
04	2022.08.02	圖面變更量測基準尺寸
05	2023.02.06	圖面更新/加註測試環境



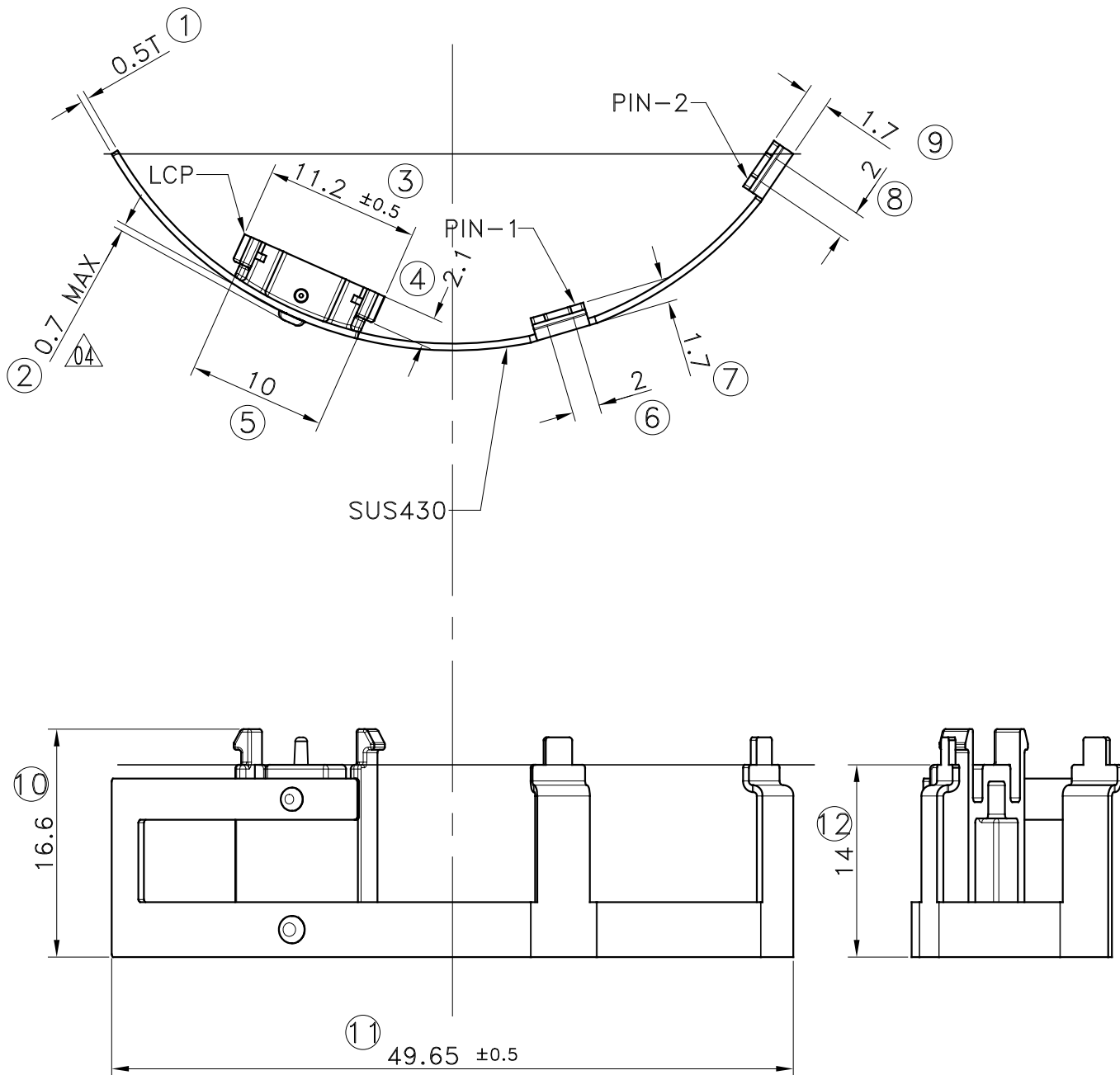
權億科技股份有限公司

Master Wave Technology Co., Ltd.


Antenna Description

1. Antenna Type - PIFA
2. Antenna Manufacturer - Master Wave

REV	ZONE	DESCRIPTION	ENG	APPROVED	DATE
△00		New Release	C.H.SU	Tony	2019/4/3
△01	-	天線尾端長度縮短	Doris	C.H.SU	2019/09/24
△02	4B	新增註解	Alice	Tony/C.H.SU	2022/02/17
△03	3E	變更量測基準尺寸	Alice	Tony/C.H.SU	2022/08/02
△04	D4	0.5=>0.7	Alice	Justin/Tony	2023/02/06

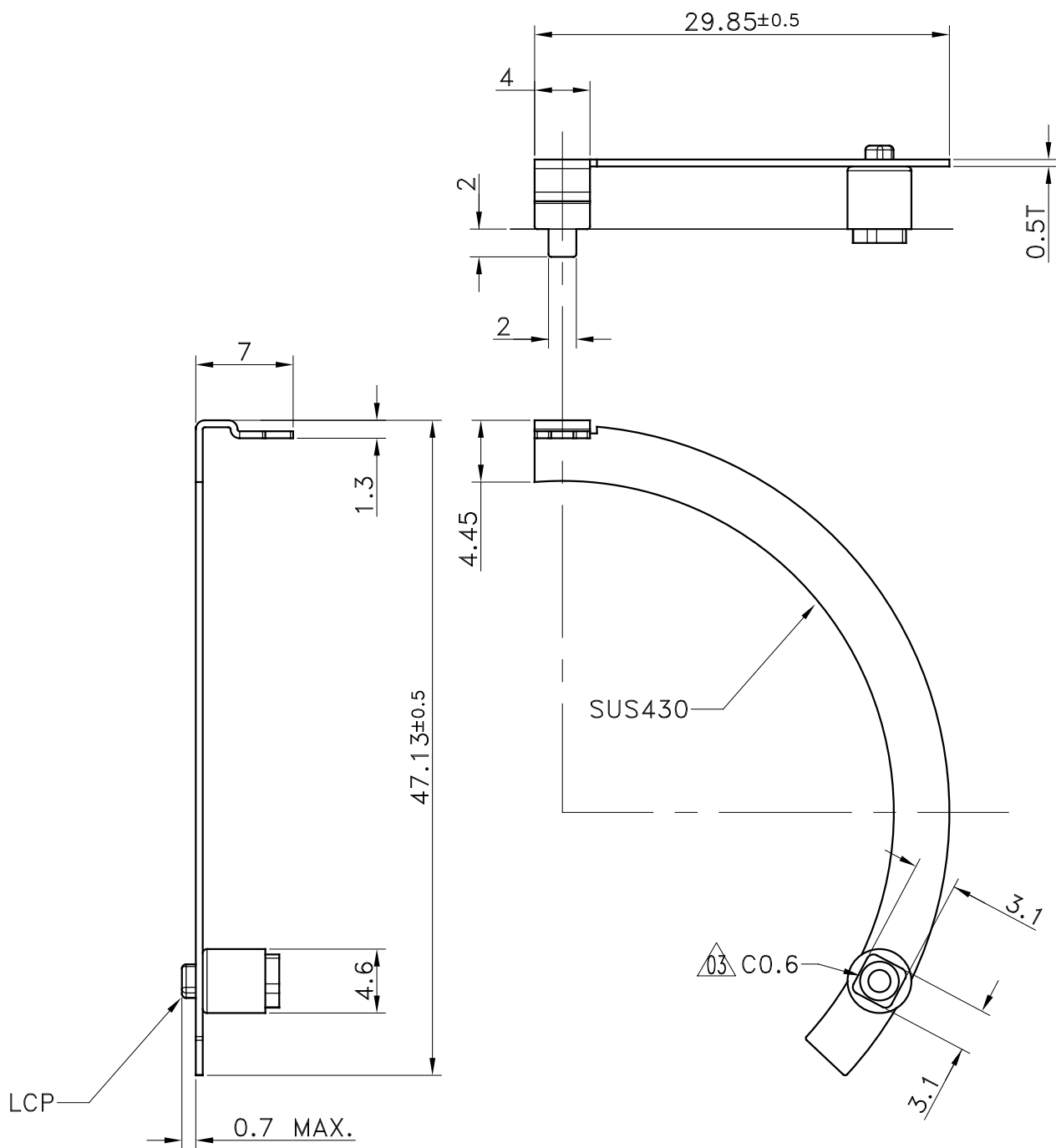


Electrical Properties(With Case & With Matching)		
Frequency Range	865	915 MHz
Impedance	50Ω	

UNLESS OTHERWISE SPECIFIED TOLERANCES ON : ±0.5	DATE: 2019/4/3	MAT'L: SUS430/LCP	 權億科技股份有限公司 Master Wave Technology Co., Ltd.			
	UNIT: mm	FINISH: Clear				
	THIRD ANGLE PROJECTION	SCALE: 2/1	TITLE : Arlo siren下部天線鐵件+Holder			
APPROVED BY: Tony	CHECKED BY: C.H.SU	DESIGNED BY: Justin	DRAWN BY: Alice	WEIGHT:	MODEL NO. : 907X01070X0	REV
					PART NO. : 07X01070X0	04

THIS DRAWING CONTAINS INFORMATION THAT IS PROPRIETARY TO MASTER WAVE AND SHOULD NOT BE USED WITHOUT WRITTEN PERMISSION.

REV	ZONE	DESCRIPTION	ENG	APPROVED	DATE
00		New Release	C.H.SU	Tony	2019/4/3
01		變更PIN折彎形式,尺寸4.65改1.3,尺寸1.2刪除 5改7, 3.7改4.45,增加PIN尺寸2	C.H.SU	Tony	2019/8/28
02		新增註解	Alice	Tony/C.H.SU	2022/02/17
03		變更螺絲柱孔位C0.6	Alice	Tony/C.H.SU	2023/02/06



02

NOTES:

1. 熱熔處因加工後外型會有變化且呈現不規則，需忽視外型變化。

UNLESS OTHERWISE
TOLERANCES ON : ±0.2

DATE: 2019/4/3

MAT'L: SUS430/LCP

UNIT: mm

FINISH: Clear

THIRD ANGLE
PROJECTION

SCALE: 2/1



權億科技股份有限公司
Master Wave Technology Co., Ltd.

TITLE : Arlo siren上部天線鐵件+Holder

APPROVED BY:

CHECKED BY:

DESIGNED BY:

DRAWN BY:

WEIGHT:

MODEL NO. : 907X01069X0

REV

Tony

C.H.SU

Justin

Alice

PART NO. : 07X01069X0

03

THIS DRAWING CONTAINS INFORMATION THAT IS PROPRIETARY TO MASTER WAVE AND SHOULD NOT BE USED WITHOUT WRITTEN PERMISSION.



Test Procedure

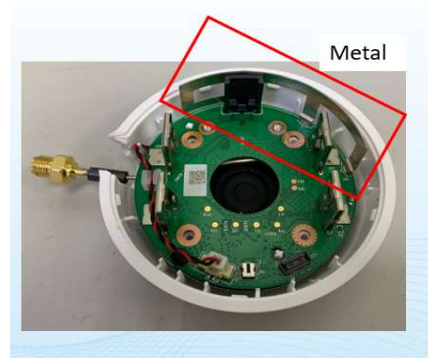
1. Using semibridge cable to solder from MB
2. Test S11 with VNA
3. Test Antenna Passive Performance with Satimo Lab

Equipment List

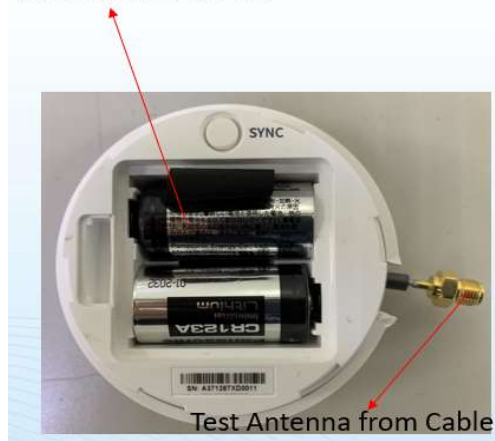
1. Vector Network Analyzer
2. Satimo Lab



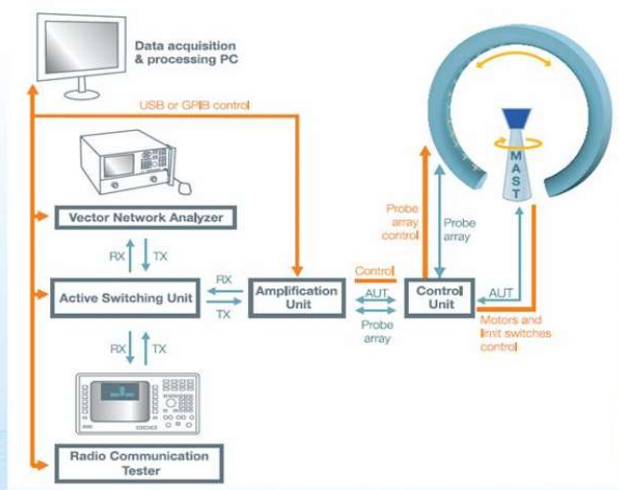
Test Setup Photo



The batteries are on.

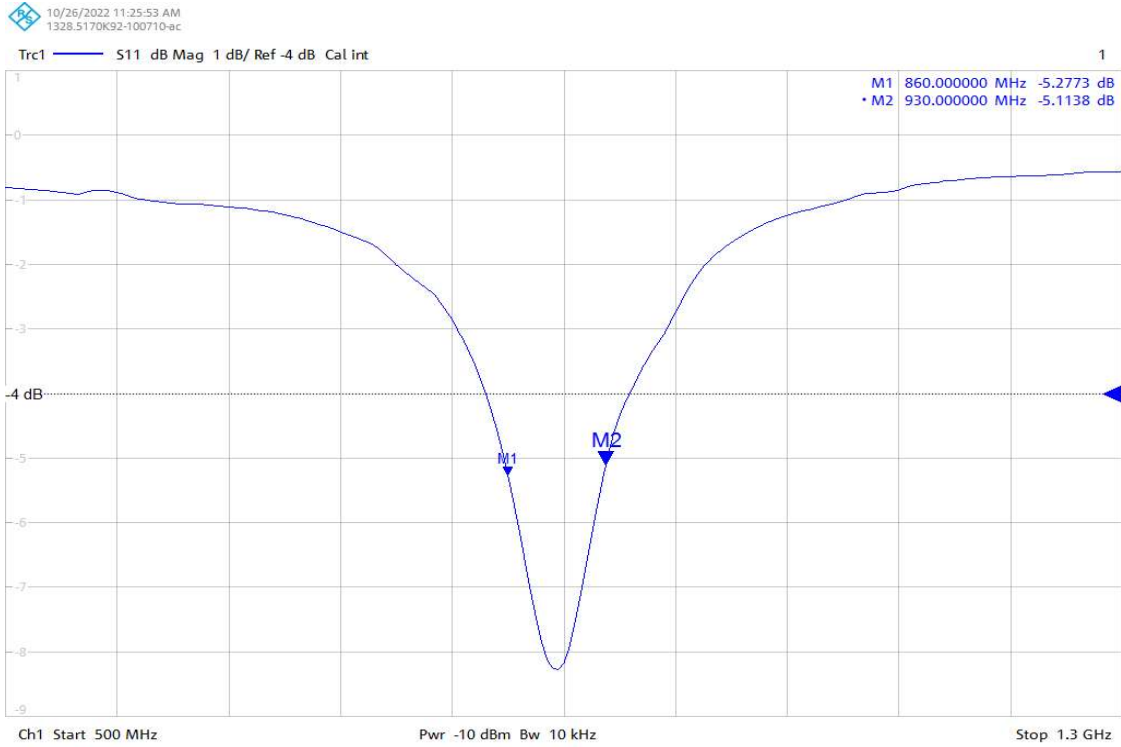


Satimo Lab





Electrical Test (With Case & With Matching)



Freq.(MHz)	860	930
Return Loss(dB)	-5.2	-5.1



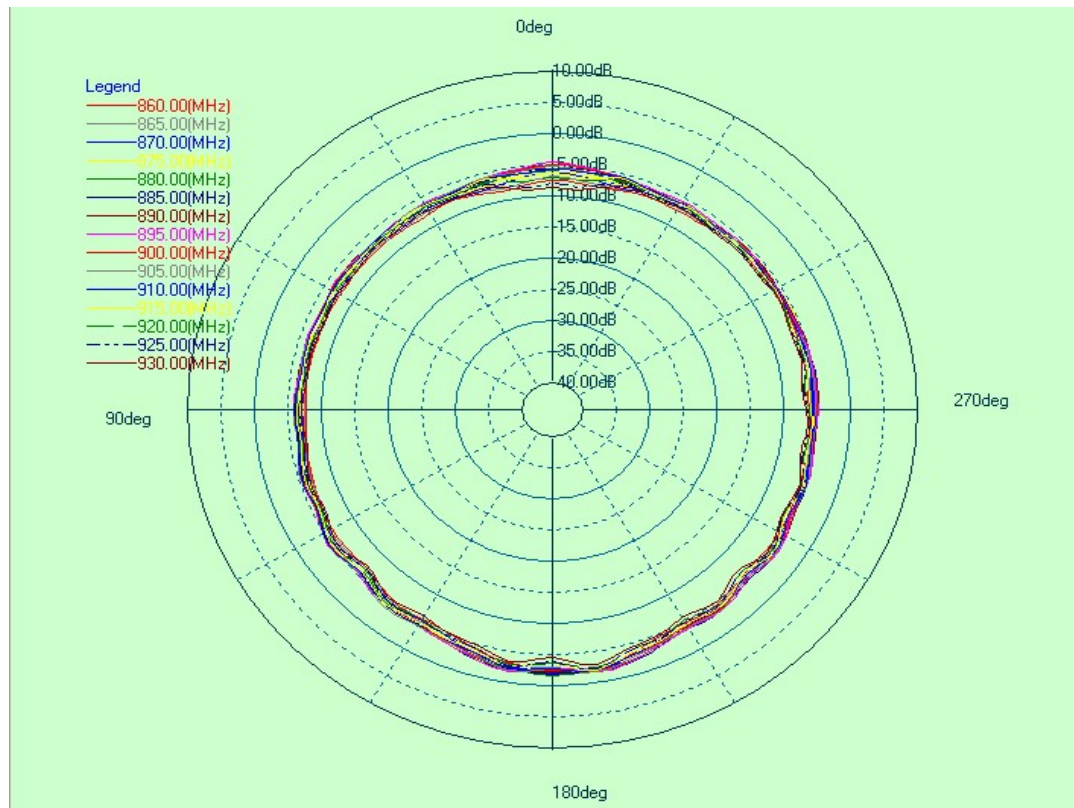
Antenna Efficiency (With Case & With Matching)

Freq.	Peak Gain (dBi)	Effi.
860MHz	-2.66	20%
865MHz	-2.16	22%
870MHz	-2.10	23%
875MHz	-1.69	26%
880MHz	-1.78	26%
885MHz	-1.52	27%
890MHz	-1.52	27%
895MHz	-1.18	28%
900MHz	-1.60	26%
905MHz	-1.40	26%
910MHz	-1.79	25%
915MHz	-1.89	23%
920MHz	-2.22	22%
925MHz	-2.11	21%
930MHz	-2.57	19%



2D Radiation Pattern (With Case & With Matching)

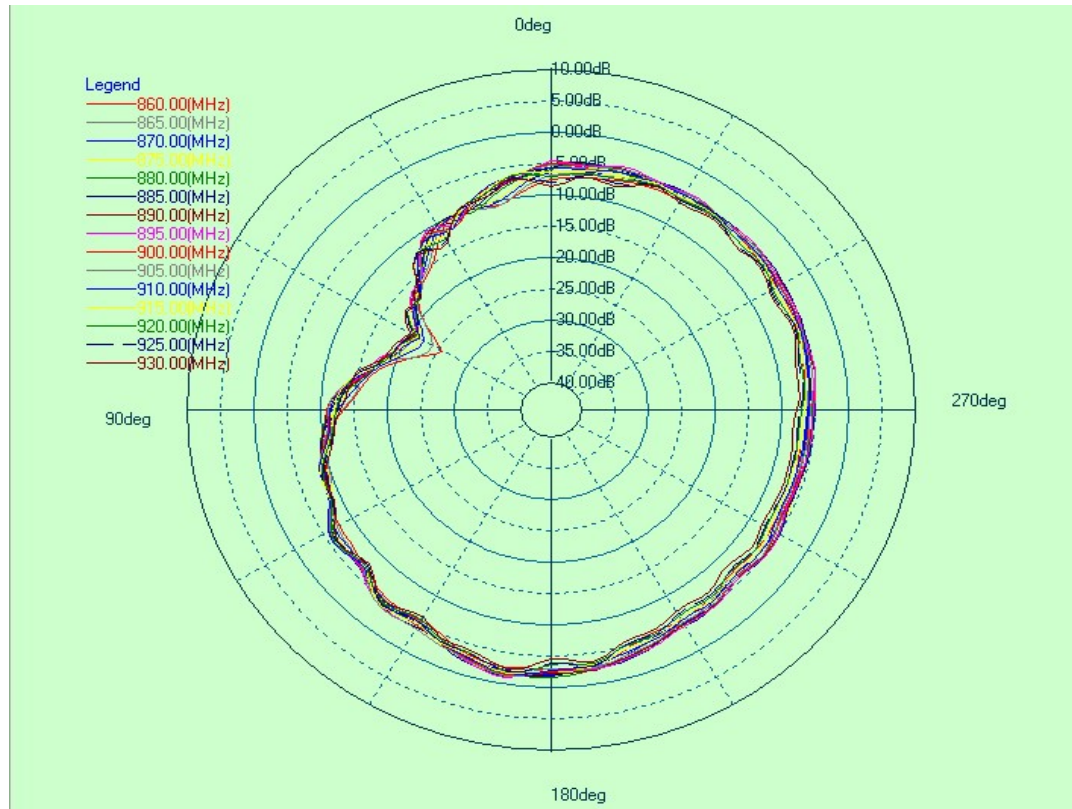
XZ Plane





2D Radiation Pattern (With Case & With Matching)

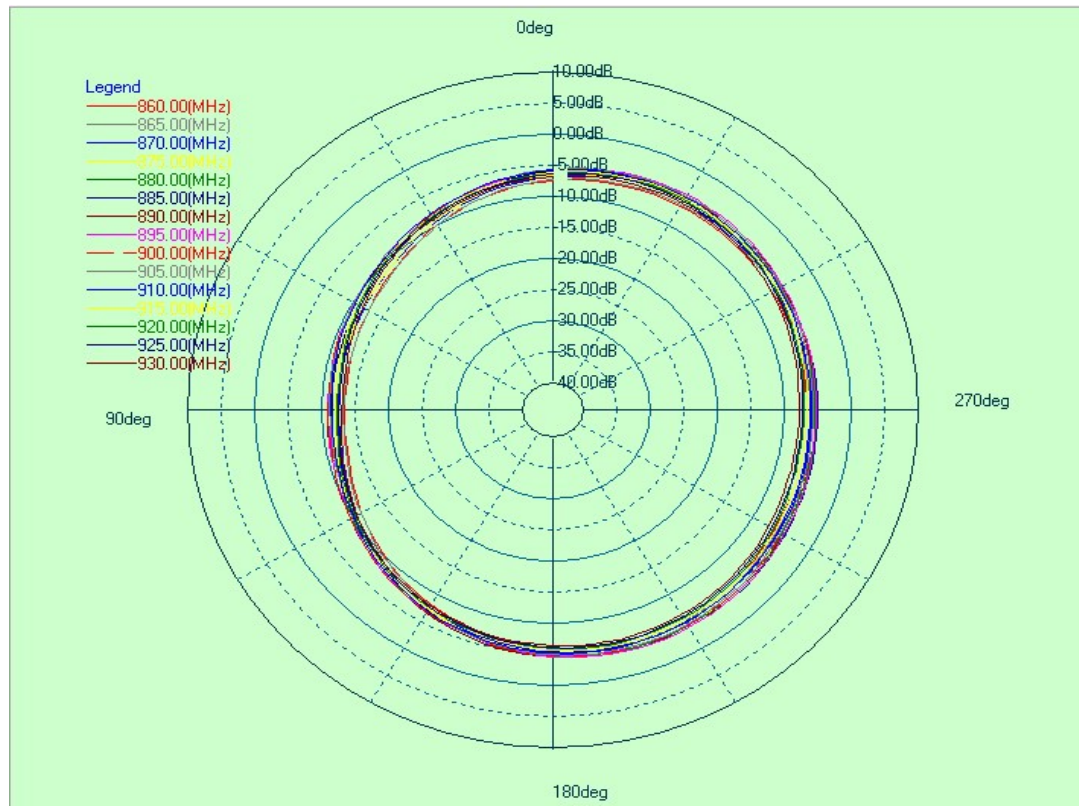
YZ Plane





2D Radiation Pattern (With Case & With Matching)

XY Plane



Antenna photo:

It is constructed with two metals (907X01069X0 and 907X01070X0) to be an antenna, so there is 1 antenna to be used.

