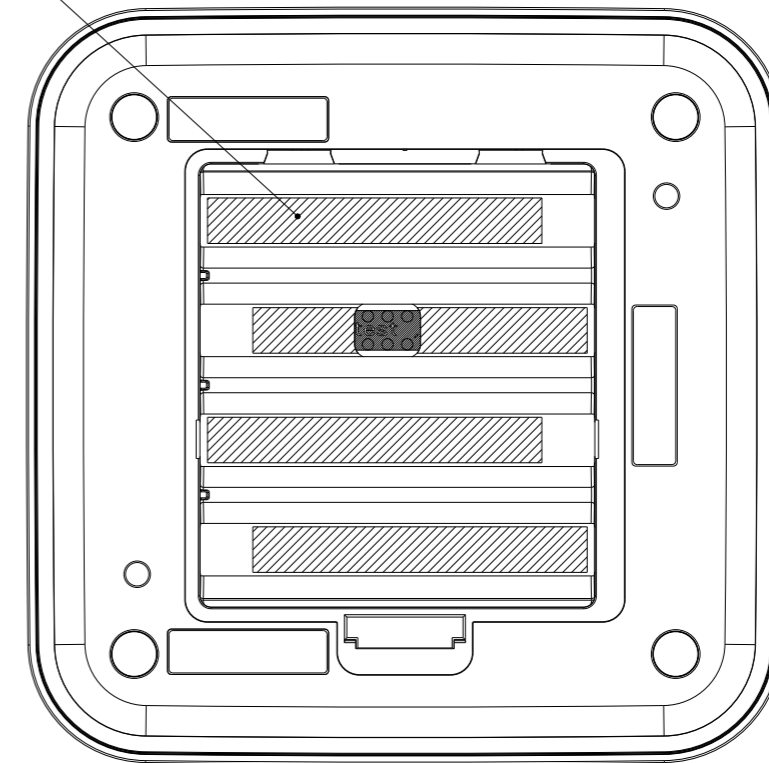
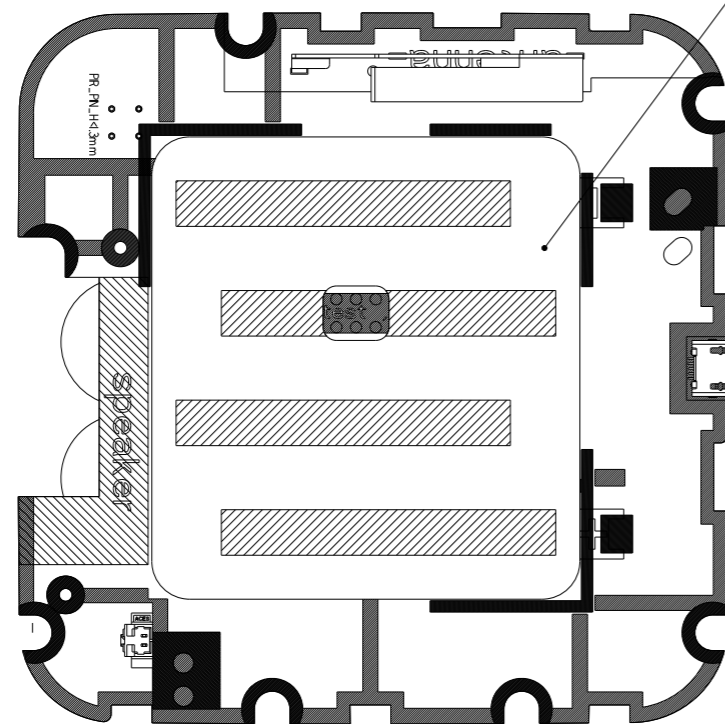


REV	ZONE	DESCRIPTION	APPROVED BY	DATE
01		PRELIMINARY RELEASE	Horry Wang	2023/05/16



TOLERANCES (UNLESS OTHERWISE SPECIFIED) MM: .X ±0.25, .XX ±0.13, .XXX ±0.05 ANGLES: X ±5°, XX ±1°		PROJECT NAME ARLO KEYPAD		DRAWING NO. -	
DESIGNED BY Horry Wang		DATE 2023/05/16		DESCRIPTION PCB PRODUCT LABEL PLACEMENT	
DRAWN BY Horry Wang		DATE 2023/05/16		REV 01	
FILENAME: /		THIRD-ANGLE PROJECTION 		THIS DOCUMENT AND THE DATA DISCLOSED HEREIN OR WHEREWITH IS NOT TO BE REPRODUCED, USED, OR DISCLOSED IN WHOLE OR IN PART TO ANYONE WITHOUT THE PERMISSION OF ARLO INTERNATIONAL, LTD.	
METRIC		A3 (420X297)		DO NOT SCALE DRAWING	
				SHEET 2 OF 2	

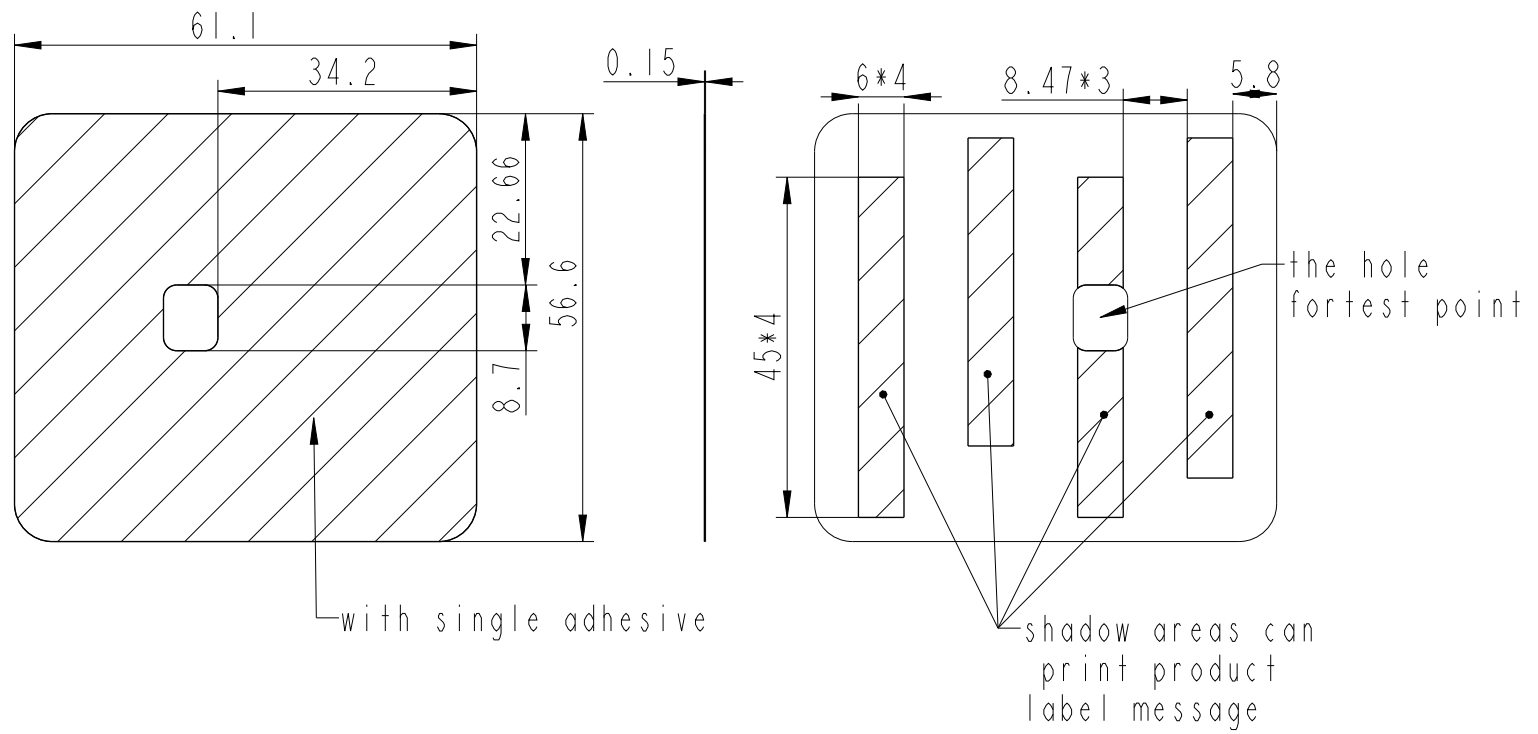


Scale 1:1

Artwork	
ARTWORK SPECIFICATION PLBL_KB1001 272-50131-01 remote keypad	
REVISION: 00	2022-04-19
REVISION NOTES: 00:	
SCALE:1:1	DESIGNER: [CP]
COLOR STANDARDS USED:	

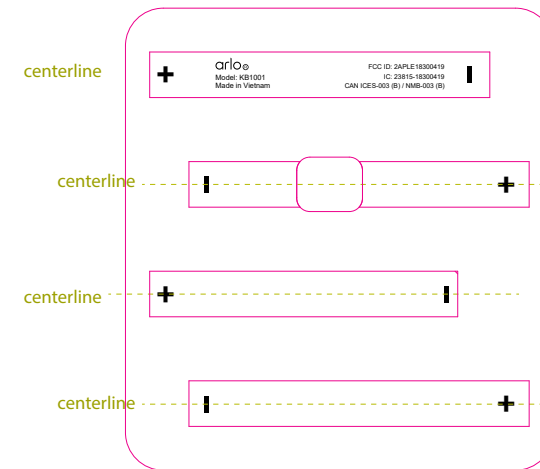
WHITE SKU

A	print
	C: black



NOTES:

1. REFER TO ARLO SPEC. DOC-50093 FOR COLOR TOLERANCES.
2. INK COLOR IS SHOWN TO THE RIGHT.
3. DIE LINES ARE MAGENTA COLOR AND DO NOT PRINT.
4. MAC & SERIAL NUMBERS TO BE PRINTED BY THE ODM.
5. SEE ARLO DOC-50112 FOR SERIAL NUMBER STANDARD
6. ARLO SERIAL NUMBER AND MAC ADDRESS BARCODE TO BE ENCODED AIM USS CODE39 AND INCLUDE PRINTED CHARACTERS BELOW BARCODES.



DO NOT MAKE CHANGES WITHOUT PERMISSION FROM ARLO ID.

AUTHOR:	TITLE: PLBL_KB1001 272-50131-01		
SHEET: 1 of 1	THIS DOCUMENT AND THE DATA DISCLOSED HEREIN OR WHEREWITH IS NOT TO BE REPRODUCED, USED OR DISCLOSED IN WHOLE OR IN PART TO ANYONE WITHOUT THE PERMISSION OF ARLO, INC.	P/N: 272-50131-01	REV: 00

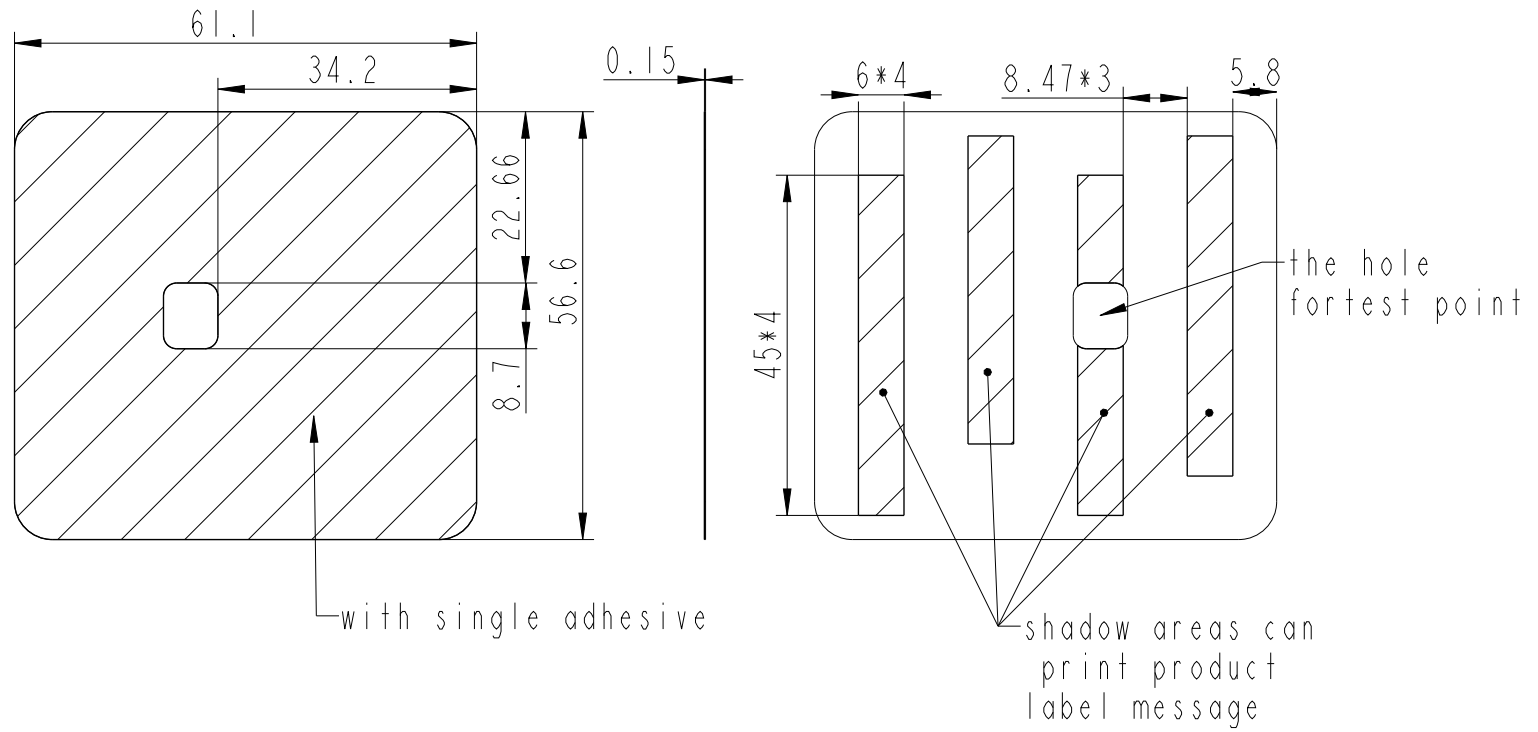


Scale 1:1

Artwork	
ARTWORK SPECIFICATION PLBL_KB1001 272-50131-02 remote keypad	
REVISION: 01	2023-03-23
REVISION NOTES: 01: remove graphics	
SCALE:1:1	DESIGNER: [CP]
COLOR STANDARDS USED:	

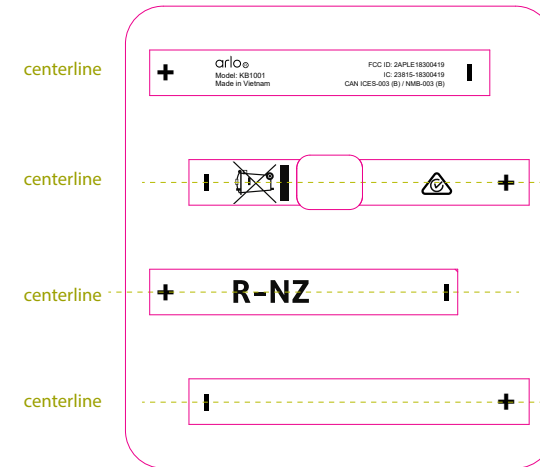
WHITE SKU

A	print
	C: black



NOTES:

1. REFER TO ARLO SPEC. DOC-50093 FOR COLOR TOLERANCES.
2. INK COLOR IS SHOWN TO THE RIGHT.
3. DIE LINES ARE MAGENTA COLOR AND DO NOT PRINT.
4. MAC & SERIAL NUMBERS TO BE PRINTED BY THE ODM.
5. SEE ARLO DOC-50112 FOR SERIAL NUMBER STANDARD
6. ARLO SERIAL NUMBER AND MAC ADDRESS BARCODE TO BE ENCODED AIM USS CODE39 AND INCLUDE PRINTED CHARACTERS BELOW BARCODES.



DO NOT MAKE CHANGES WITHOUT PERMISSION FROM ARLO ID.

AUTHOR:	TITLE: PLBL_KB1001 272-50131-02	
SHEET: 1 of 1	THIS DOCUMENT AND THE DATA DISCLOSED HEREIN OR WHEREWITH IS NOT TO BE REPRODUCED, USED OR DISCLOSED IN WHOLE OR IN PART TO ANYONE WITHOUT THE PERMISSION OF ARLO, INC.	P/N: 272-50131-02 REV: 01