



權億科技股份有限公司
Master Wave Technology Co., Ltd.

承認書

APPROVAL SHEET

Customers: 鴻海精密工業(股)公司


Customer Model No.: JS907X01084X0 403-50006-01

Master Wave Model No.: 907X01084X0

Product Description: Arlo Sensor

Issue Date: 2021.05.05

REV.: 03

客戶承認用印 Customer Approved		權億承認用印 Confirmation Signature	
			
核准 Approve	主管 Chief	承辦 Responsible	
Chris Wang	Tony	Doris	

MASTER WAVE TECHNOLOGY CO., LTD.

權億科技股份有限公司

Address: No. 19, Hezun N. Rd., Zhongli Dist., Taoyuan City 320, Taiwan (R.O.C.)

Tel: +886-3-4529998 Fax: +886-3-4522866

Suzhou Shengyih Electronics Plastic Co. Ltd (Shou Zhou)

聲億電子塑膠有限公司(蘇州廠)

Address: No.95 Wusong south Rd of Luzhi Town Wu zhong Area Suzhou City, China

Tel : +86-512-65046030 Fax : +86-512-65046033

Shengyih Electronic Co. Ltd (Dongguan)

聲億電子有限公司(東莞廠)

Address: Mu-Lun Administration Area, Changping Town, Dongguan City, Guangdong Province, China

Tel : +86-769-83914045 Fax : +86-769-83914046



Table of Contents

Item

1. Antenna Specifications

-Drawing

2. Packing

-PE Bag

-Carton

3. Test Report

-Electrical test (875MHz)

-Antenna Efficiency

-Pattern Test

-Electrical test (920MHz)

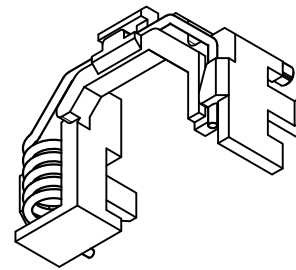
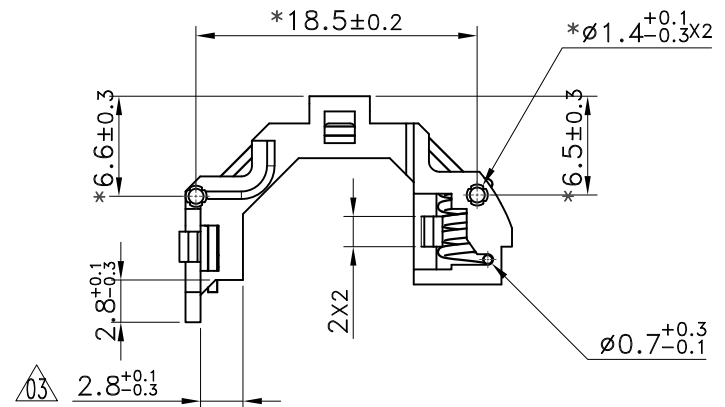
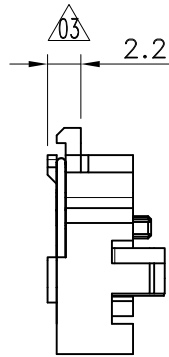
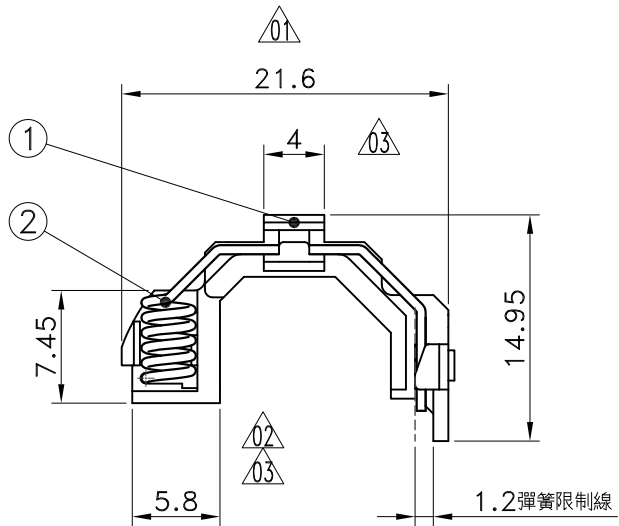
-Antenna Efficiency

-Pattern Test

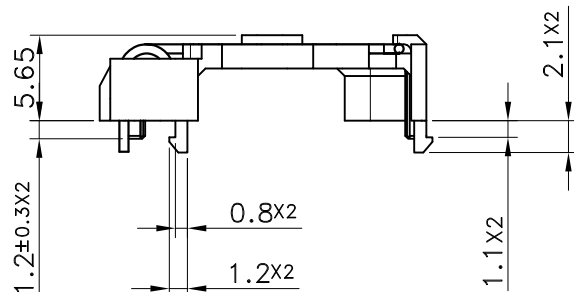
Modification History:

REV.	Date	Content
00	2019.03.27	
01	2021.01.05	更新測報、圖面，新增包裝圖
02	2021.04.27	塑件除料
03	2021.05.05	增加尺寸標註

REV	ZONE	DESCRIPTION	ENG	APPROVED	DATE
01	1E	彈簧尺寸變更	Alice	Kin	2021/1/5
02	2E	塑件除料	Doris	Kin	2021/04/27
03	3C/2D 2E	增加尺寸標註	Doris	Kin	2021/05/05



NOTES:
1.*為重點尺寸



Electrical Properties(With Case & With Matching)		
Frequency Range	875	920 MHz
Impedance	50Ω	
V.S.W.R.	<2.0	<2.0
Gain	-3.5 dBi	-3.5 dBi

QTY	Finish	Material	Name	P/N
1	清潔	磷青銅	SPRING	②
1	Black	LCP E6006	HOLDER	①

UNLESS OTHERWISE SPECIFIED TOLERANCES ON : ±0.5

DATE: 2019/3/27

MAT'L:

UNIT: mm

FINISH:

THIRD ANGLE PROJECTION

SCALE: 2/1



權億科技股份有限公司
Master Wave Technology Co., Ltd.

TITLE : Arlo Sensor

APPROVED BY:

CHECKED BY:

DESIGNED BY:

DRAWN BY:

WEIGHT:

MODEL NO. : 907X01084X0

REV

Mars

Kin Chan

0.6g

PART NO. :

03

THIS DRAWING CONTAINS INFORMATION THAT IS PROPRIETARY TO MASTER WAVE AND SHOULD NOT BE USED WITHOUT WRITTEN PERMISSION.

REV	ZONE	DESCRIPTION	ENG	APPROVED	DATE

1

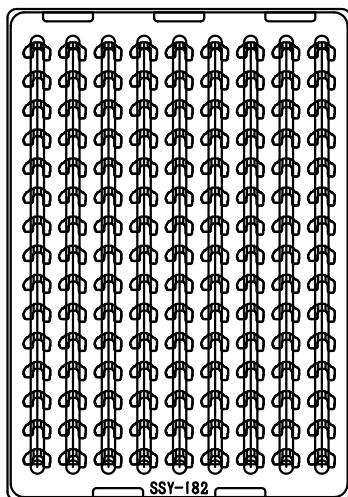
1

2

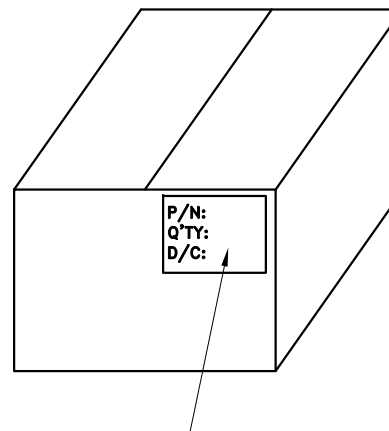
2

3

3




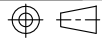
135PCS / 吸塑盒



Outside the carton :
Stick the label on the upper right side
(紙箱外：將標籤黏貼在右上方)

4

4

DATE: 2021/1/5		MAT'L:		 權億科技股份有限公司 Master Wave Technology Co., Ltd.		
UNIT: —		FINISH:				
THIRD ANGLE PROJECTION 		SCALE: 2/1		TITLE : Arlo Sensor Packing		
APPROVED BY:	CHECKED BY:	DESIGNED BY:	DRAWN BY:	WEIGHT:	MODEL NO. : 907X01084X0	REV
					PART NO. :	00

THIS DRAWING CONTAINS INFORMATION THAT IS PROPRIETARY TO MASTER WAVE AND SHOULD NOT BE USED WITHOUT WRITTEN PERMISSION.

F

E

D

C

B

A

F

E

D

C

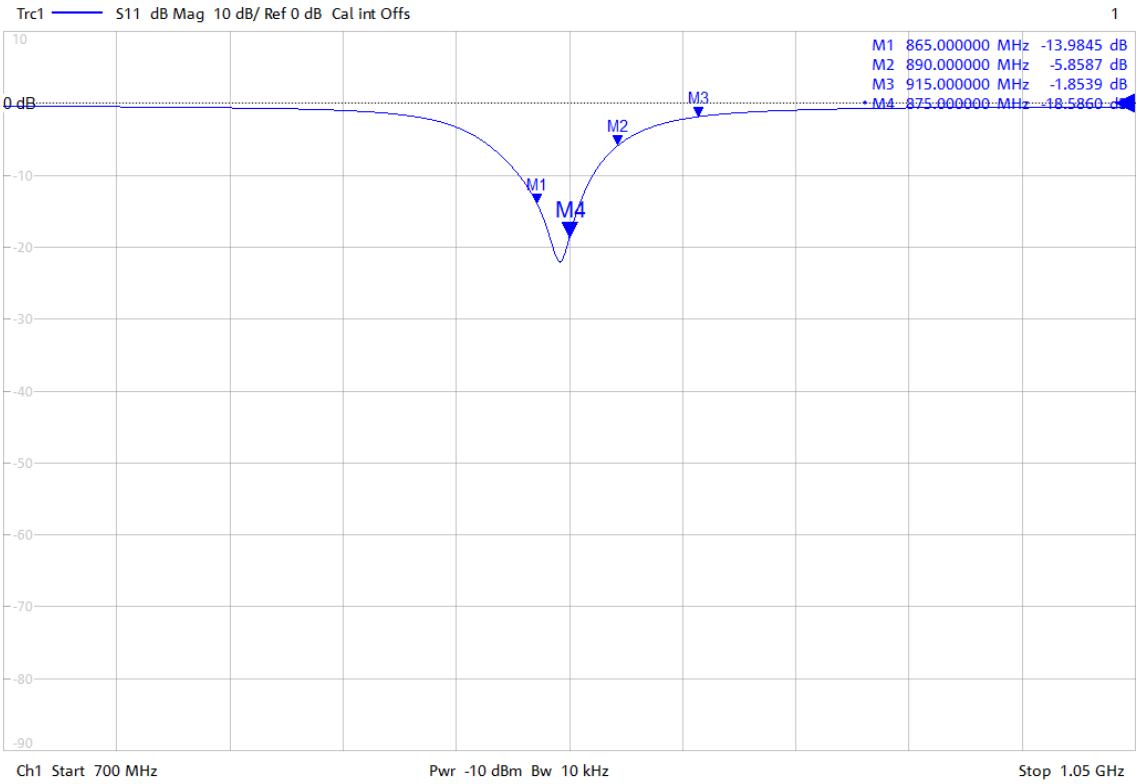
B

A



Electrical Test (875 MHz , With Case & With Matching)

12/22/2020 10:55:00 AM
1328.5170K92-100710-ac





Antenna Efficiency (875 MHz , With Case & With Matching)

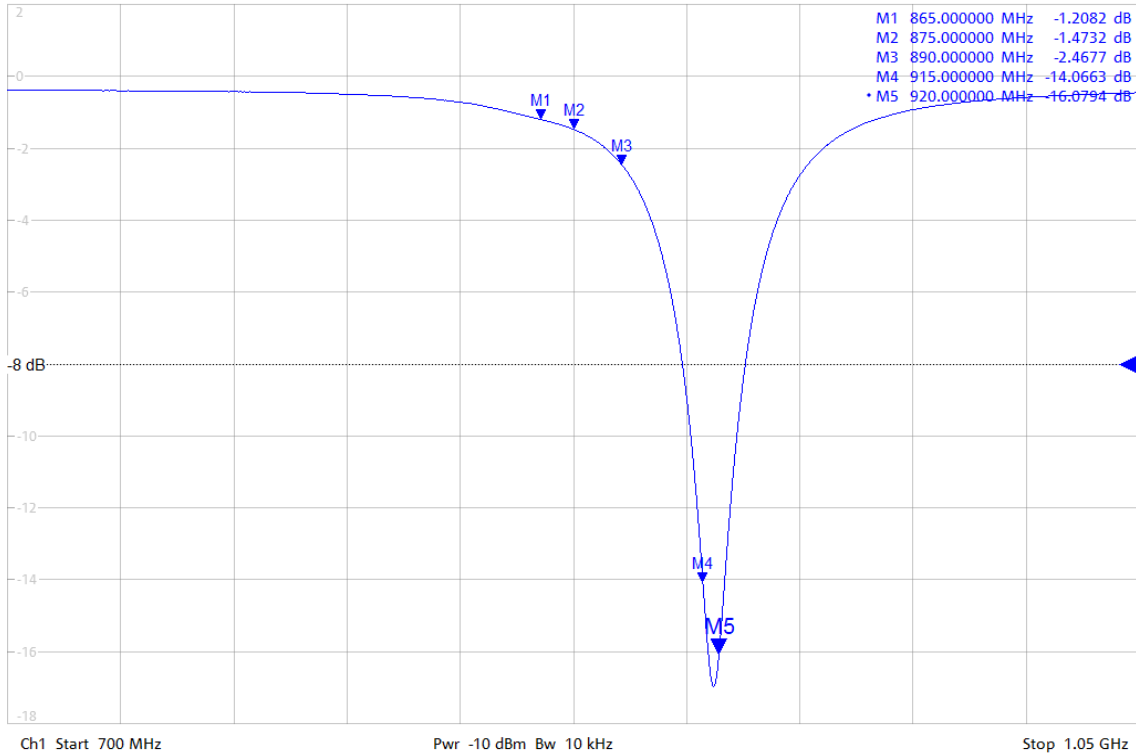
Freq.(MHz)	860MHz	865MHz	870MHz	875MHz	880MHz	885MHz	890MHz	895MHz	900MHz	905MHz	910MHz	915MHz	920MHz	925MHz	930MHz
Efficiency	12%	13%	15%	16%	16%	15%	13%	11%	9%	8%	7%	6%	5%	4%	4%
Peak Gain(dBi)	-5.51	-4.54	-4.02	-3.72	-3.70	-3.99	-4.73	-5.13	-6.21	-6.94	-7.71	-8.08	-8.68	-8.98	-9.83



Electrical Test (920 MHz , With Case & With Matching)

12/29/2020 4:22:44 PM
1328.5170K92-100710-ac

Trc1 S11 dB Mag 2 dB/ Ref -8 dB Cal Int Offs





Antenna Efficiency (920 MHz , With Case & With Matching)

Freq.(MHz)	860MHz	865MHz	870MHz	875MHz	880MHz	885MHz	890MHz	895MHz	900MHz	905MHz	910MHz	915MHz	920MHz	925MHz	930MHz
Efficiency	2%	3%	3%	4%	5%	6%	8%	10%	11%	15%	17%	19%	19%	18%	15%
Peak Gain(dBi)	-12.92	-11.81	-10.81	-9.93	-9.09	-8.09	-7.40	-6.34	-5.93	-4.83	-3.92	-3.56	-3.41	-3.46	-4.53