



# Video Reader Pro and Video Intercom Reader Pro

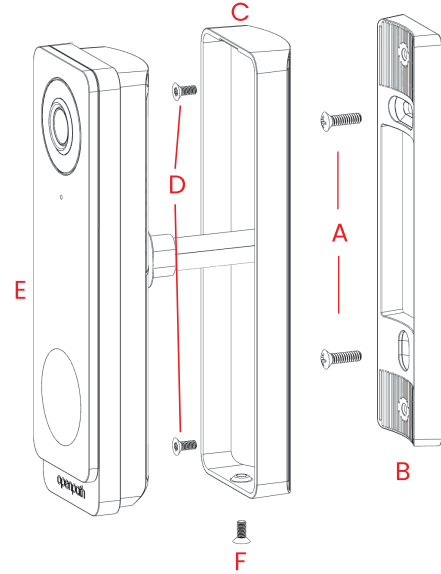
## Quick Start Guide



### Contents

- Video Reader Pro or Video Intercom Reader Pro
- Cradle bracket
- Mullion mounting plate
- Standard mounting plate
- 2 wall mount screws and anchors
- 2 cradle mount screws
- 1 security screw
- 1 waterproof Ethernet coupling

### Video Reader Pro on mullion mount

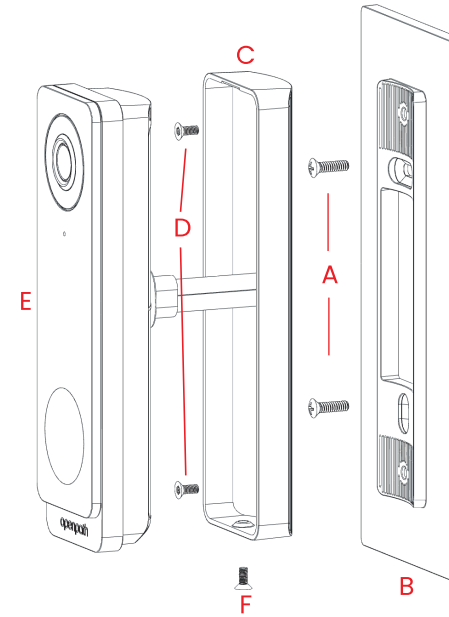


1. Use the provided screws (A) to attach the mounting plate (B) to the wall.
2. Place the cradle bracket (C) on the mounting plate, angle as desired, then secure with the provided screws (D).
3. Strip and connect the wires (page 6), then provision the device (page 7).
4. Snap in the reader (E), then secure with the security set screw (F).

**NOTE:** Do not use adhesive.

**Dimensions:**  
155 x 47 x 37 mm (6.1 x 1.85 x 1.45 in)

### Video Reader Pro on standard mount

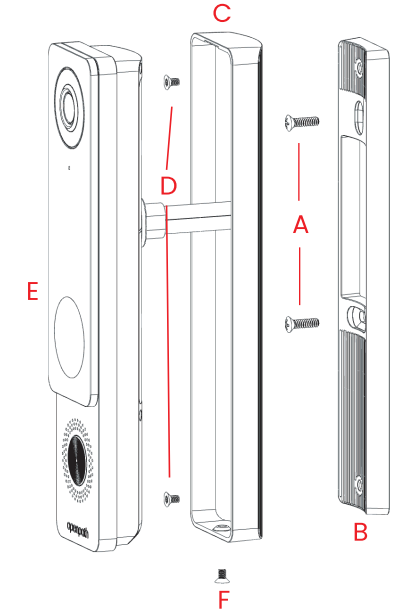


1. Install a recessed single gang box into the wall.
2. Use the provided screws (A) to attach the mounting plate (B) to the gang box.
3. Place the cradle bracket (C) on the mounting plate, angle as desired, then secure with the provided screws (D).
4. Strip and connect the wires (page 6), then provision the device (page 7).
5. Snap in the reader (E), then secure with the security set screw (F).

**NOTE:** Do not use adhesive.

**Dimensions:**  
187 x 78 x 37 mm (7.36 x 3.07 x 1.45 in)

### Video Intercom Reader Pro on mullion mount



1. Use the provided screws (A) to attach the mounting plate (B) to the wall.
2. Place the cradle bracket (C) on the mounting plate, angled as desired, then secure with the provided screws (D).
3. Strip and connect the wires (page 6), then provision the device (page 7).
4. Snap in the intercom (E), then secure with the security set screw (F).

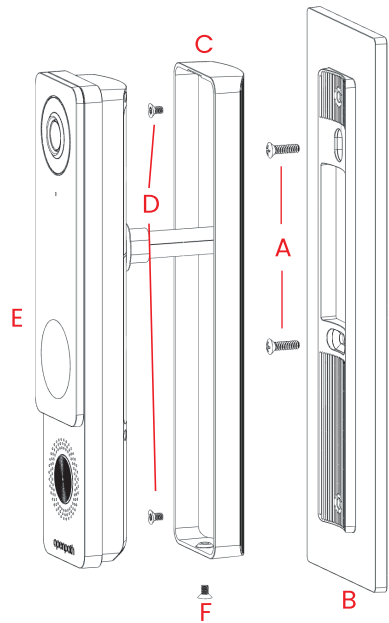
**NOTE:** Do not use adhesive.

**Dimensions:**  
204 x 47 x 37 mm (8.03 x 1.85 x 1.46 in)



Openpath Security, Inc.  
13428 Maxella Ave, #866  
Marina del Rey, CA 90292  
1-844-673-6728

## Video Intercom Reader Pro on standard mount



1. Install a recessed single gang box into the wall.
2. Use the provided screws (A) to attach the mounting plate (B) to the gang box.
3. Place the cradle bracket (C) on the mounting plate, angled as desired, then secure with the provided screws (D).
4. Strip and connect the wires (page 6), then provision the device (page 7).
5. Snap in the intercom (E), then secure with the security set screw (F).

**NOTE:** Do not use adhesive.

### Dimensions:

235 x 78 x 37 mm (9.25 x 3.07 x 1.46 in)

5

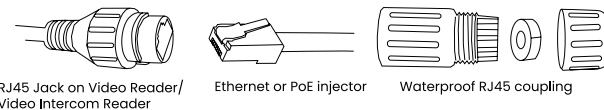
## Wiring Information

PIGTAIL color	Name	Description
Ethernet	--	RJ-45 connector
Black	GND	Wiegand RTN
Green	WD0	Wiegand Data 0
White	WD1	Wiegand Data 1
Blue/White Stripe	NO	Relay Normally Open
Orange/White Stripe	COM	Relay Common
Green/Yellow Stripe	GND	Ground (RTN)

Temperature should not exceed -30°C to 60°C (-22°F to 140°F)

### Wiring Instructions

1. Using the provided weatherproof coupling, connect the RJ-45 jack to an Ethernet cable or PoE injector (see below)
2. (Optional) Use the Blue/White (NO) and Orange/White (COM) stripe wires to connect to a third-party REX
3. (Optional) If connecting to a legacy access control system, connect the Green (WD0) and White (WD1) wires to an input on the legacy panel



RJ45 Jack on Video Reader/Video Intercom Reader

Ethernet or PoE injector

Waterproof RJ45 coupling

## Status LED Color Codes

	<b>center dot is solid white</b>	entry is locked
	<b>outer ring is solid white</b>	entry is unlocked
	<b>all lights are off</b>	device not connected to power
	<b>center dot is flashing blue</b>	device is booting
	<b>center dot is solid yellow</b>	device is restoring software to factory default
	<b>center dot is solid blue</b>	device ready to be provisioned or device not configured as an entry
	<b>center dot is solid purple</b>	device ready to connect to Admin app
	<b>center dot is solid green and the outer ring is solid white</b>	device has been identified via the Control Center
	<b>center dot is flashing red</b>	internal error

6

## Setup

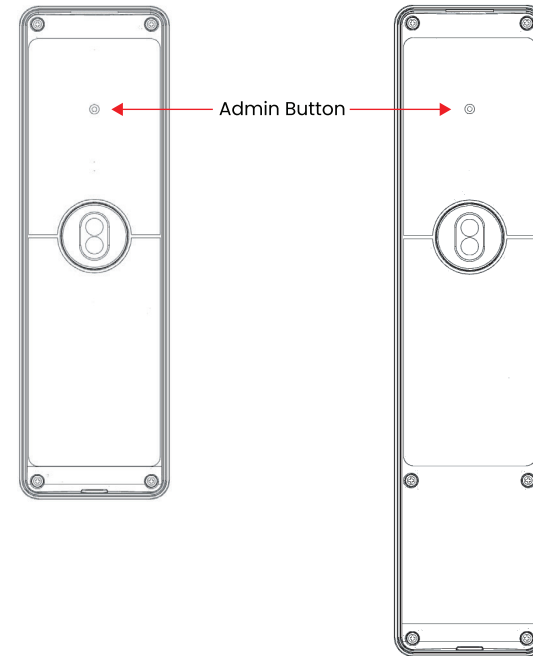
**Note:** You must first create a Video Reader Pro or Video Intercom Reader Pro in the Control Center before provisioning.

### Provisioning Instructions

1. Open the Admin app
2. Search for org name
3. Press Admin button on device
4. Tap serial number of device in Admin app
5. Tap **Provision** in Admin app and follow instructions

Back of Video Reader Pro

Back of Video Intercom Reader Pro



### Hard Reset

**Warning:** Hard Reset will erase all data on device. Only reset if instructed by Openpath.

1. Remove power
2. Press and hold down Admin button
3. Reconnect power
4. Continue holding Admin button until LED turns solid yellow (about 10 seconds), then release

### FCC COMPLIANCE INFORMATION

PRODUCT: Video Reader Pro and Video Intercom Reader Pro

Any changes or modifications not expressly approved by the party responsible for compliance could void your authority to operate the equipment.

This device complies with Part 15 of the FCC Rules. Operation is subject to the following two conditions: (1) This device may not cause interference; and (2) This device must accept any interference, including interference that may cause undesired operation of the device.

Note: This equipment has been tested and found to comply with the limits for a Class A digital device, pursuant to Part 15 of the FCC Rules. These limits are designed to provide reasonable protection against harmful interference when the equipment is operated in a commercial environment. This equipment generates, uses, and can radiate radio frequency energy, and if it is not installed and used in accordance with the instruction manual, it may cause harmful interference to radio communications. Operation of this equipment in a residential area is likely to cause harmful interference, in which case the user will be required to correct the interference at his own expense.

This equipment complies with FCC RF radiation exposure limits set forth for an uncontrolled environment. This equipment should be installed and operated with a minimum distance of 20 centimeters between the radiator and your body.

### RESPONSIBLE PARTY:

Openpath Security, Inc.  
13428 Maxella Ave, #866  
Marina Del Rey, CA 90292  
1-844-673-6728  
www.openpath.com

### Industry Canada Notice and Marking

This device complies with the ISED radiation exposure limit set forth for an uncontrolled environment. This device should be installed and operated with minimum distance 20cm between the radiator & your body. This transmitter must not be co-located or operating in conjunction with any other antenna or transmitter. Cet équipement est conforme avec l'exposition aux radiations ISED définies pour un environnement non contrôlé. Cet équipement doit être installé et utilisé à une distance minimum de 20 cm entre le radiateur et votre corps. Cet émetteur ne doit pas être co-localisé ou opérant en conjonction avec une autre antenne ou transmetteur

### Install guides:



**Openpath Technical Support**  
support@openpath.com  
1-844-673-6728 ext 2

### Video Reader Pro

Power rating:  
PoE Input 48VDC  
Power Consumption 7.8W

### Video Intercom Reader Pro

Power rating:  
PoE Input 48VDC  
Power Consumption 10.8W

7