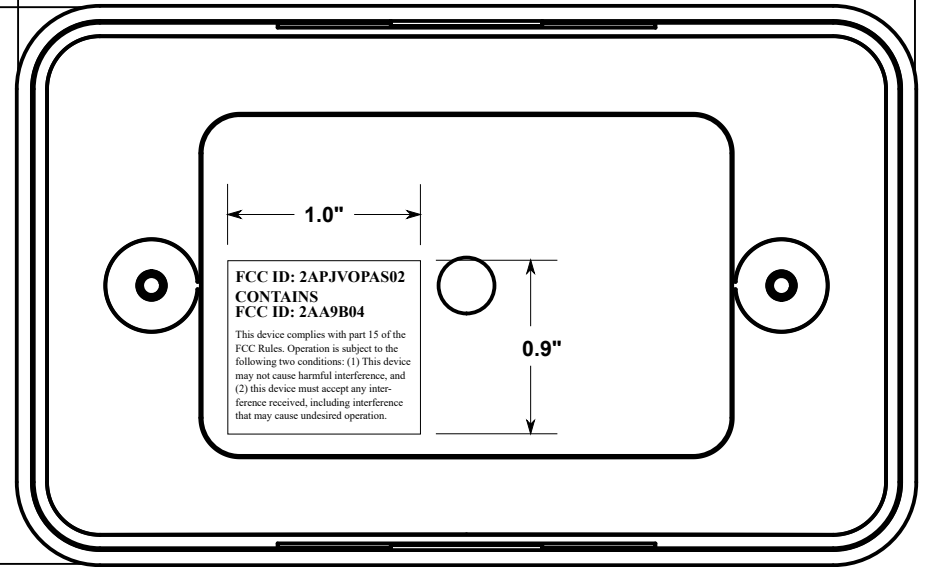


2.9

4.67



NOTES:

1. Label material: polyester
2. Polyester overlaminat
3. Permanent acrylic adhesive

Dept.	Technical reference	Created by Michael Biggs 5/21/2018	Approved by	
		Document type	Document status	
		Title Smart Reader OP-AS-02 FCC Label	DWG No.	
		Rev.	Date of issue	Sheet 1/1