

FCC COMPLIANCE INFORMATION

PRODUCT: Single Door Controller

Any changes or modifications not expressly approved by the party responsible for compliance could void your authority to operate the equipment.

This device complies with Part 15 of the FCC Rules. Operation is subject to the following two conditions:

- (1) This device may not cause interference; and
- (2) This device must accept any interference, including interference that may cause undesired operation of the device.

Note: This equipment has been tested and found to comply with the limits for a Class A digital device, pursuant to Part 15 of the FCC Rules. These limits are designed to provide reasonable protection against harmful interference when the equipment is operated in a commercial environment. This equipment generates, uses, and can radiate radio frequency energy, and if it is not installed and used in accordance with the instruction manual, it may cause harmful interference to radio communications. Operation of this equipment in a residential area is likely to cause harmful interference, in which case the user will be required to correct the interference at his own expense.

This equipment complies with FCC RF radiation exposure limits set forth for an uncontrolled environment. This equipment should be installed and operated with a minimum distance of 20 centimeters between the radiator and your body.

RESPONSIBLE PARTY:
Openpath Security, Inc. 13428 Maxella Ave, #866 Marina Del Rey, CA 90292 • 1-844-673-6728 • www.openpath.com

Industry Canada Notice and Marking

This product meets the applicable Innovation, Science and Economic Development Canada technical specifications.

Ce produit répond aux spécifications techniques applicables à l'innovation, Science et Développement économique Canada.

This device complies with Industry Canada's licence-exempt RSSs. Operation is subject to the following two conditions:

- (1) This device may not cause interference; and
- (2) This device must accept any interference, including interference that may cause undesired operation of the device.

Le présent appareil est conforme aux CNR d'Industrie Canada applicables aux appareils radio exempts de licence. L'exploitation est autorisée aux deux conditions suivantes :

- (1) l'appareil ne doit pas produire de brouillage, et
- (2) l'utilisateur de l'appareil doit accepter tout brouillage radioélectrique subi, même si le brouillage est susceptible d'en compromettre le fonctionnement.

"Operations in the 5.15-5.25Ghz band are restricted to indoor usage only."

Le fonctionnement sur la bande 5,15-5,25Ghz est limité à une utilisation intérieure uniquement.

This device complies with the ISED radiation exposure limit set forth for an uncontrolled environment. This device should be installed and operated with minimum distance 20cm between the radiator & your body.

Cet équipement est conforme avec l'exposition aux radiations ISED définies pour un environnement non contrôlé. Cet équipement doit être installé et utilisé à une distance minimum de 20 cm entre le radiateur et votre corps.

Install guides:



Openpath Technical Support
support@openpath.com
1-844-673-6728 ext 2

Single Door Controller

Power rating:
DC Input: 24/12VDC-11A/22A
PoE Input: 48VDC-0.55A



The 5150-5350MHz band is allocated for indoor use only in EU member countries.

	BE	BG	CZ	DK	DE	EE	IE	EL	ES	FR	HR	IT	CY	LV
LT	LU	HU	MT	NL	AT	PL	PT	RO	SI	SK	FI	SE	UK	



openpath

Single Door Controller

Quick Start Guide

To set up this device, download the Openpath Admin app at openpath.com/su/adminapp

Admin app:



WARNING: Remove DC Input Power and PoE before changing the voltage of the relays.

Voltage Switches

To power relays without external supply, select 12V or 24V, and connect locking hardware to NO/NC and GND (⊕). To use external power, select DRY and use NO/NC and C, and wire to external supply.

Provision

1. Open the Admin app
2. Search for org name
3. Press Admin button on SDC
4. Tap Provision in Admin app and follow instructions

Output Ratings

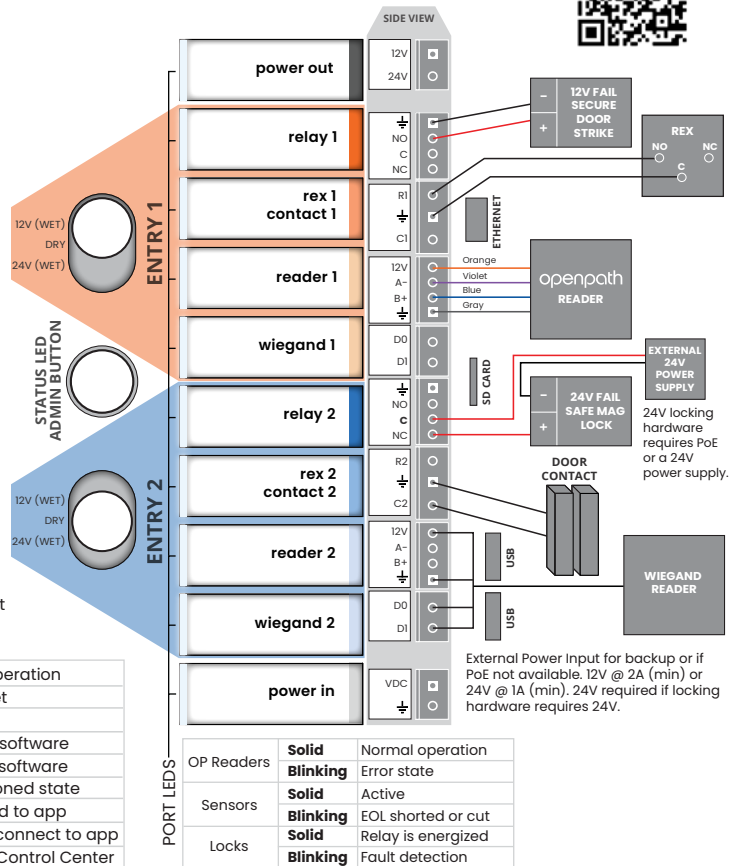
- Power Out can supply up to 100mA @ 12V or 50mA @ 24V

- 2 reader ports, max power output: 250mA @ 12V each

- 2 relays, max power output: PoE: Max 3W combined output (250mA @ 12V, 125mA @ 24V)
PoE+: Max 9W combined output (750mA @ 12V, 375mA @ 24V)

STATUS LED

○ Solid White	Normal operation
○ Blinking Red	No Internet
○ Solid Cyan	Booting
○ Solid Yellow	Restoring software
○ Blinking Yellow	Updating software
○ Solid Blue	Unprovisioned state
○ Solid Purple	Connected to app
○ Blinking Purple	Ready to connect to app
○ Solid Red	Error, see Control Center

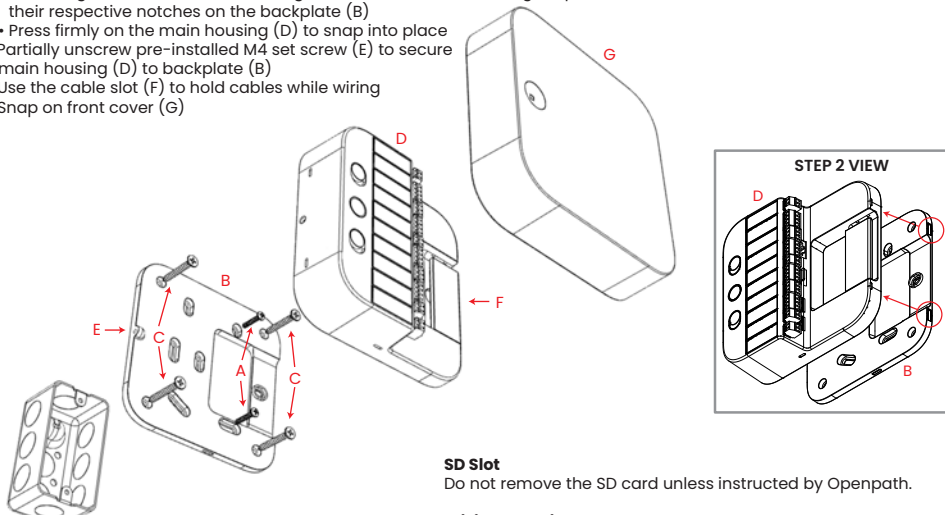


Mounting Instructions

Install Single Door Controller onto electrical box using provided 6-32 screws or on drywall using provided anchors and screws.

For a standard US 1-gang box:

1. Use two 6-32 screws (A) to attach backplate (B) to gang box
Recommended: Use the provided drywall screws (C) and anchors (not shown) on drywall for added stability
2. Snap on main housing (D) to backplate (B)
 - On the right side of the main housing (D), ensure that the two edge clips fit into their respective notches on the backplate (B)
 - Press firmly on the main housing (D) to snap into place
3. Partially unscrew pre-installed M4 set screw (E) to secure main housing (D) to backplate (B)
4. Use the cable slot (F) to hold cables while wiring
5. Snap on front cover (G)



SD Slot

Do not remove the SD card unless instructed by Openpath.

WiFi and Device Placement

The Single Door Controller is WiFi-enabled. If using WiFi, ensure that the SDC is installed within range of an access point, and is away from sources of noise and interference, like microwave ovens.

Hard Reset

Warning: Hard Reset will erase all data on device. Only reset if instructed by Openpath.

1. Remove power
2. Press and hold down Admin button
3. Reconnect power
4. Continue holding Admin button until LED turns solid yellow (about 30 seconds), then release