

Openpath Security, Inc.

13428 Maxella Ave, #866, Marina Del Rey, CA 90292

DECLARATION LETTER

Date: 2020/4/30

To whom it may concern:

We declare the OP-2ESH-POE will clearly show the label on bottom of device's surface, the wall mounting accessories will separate in package.

Label location



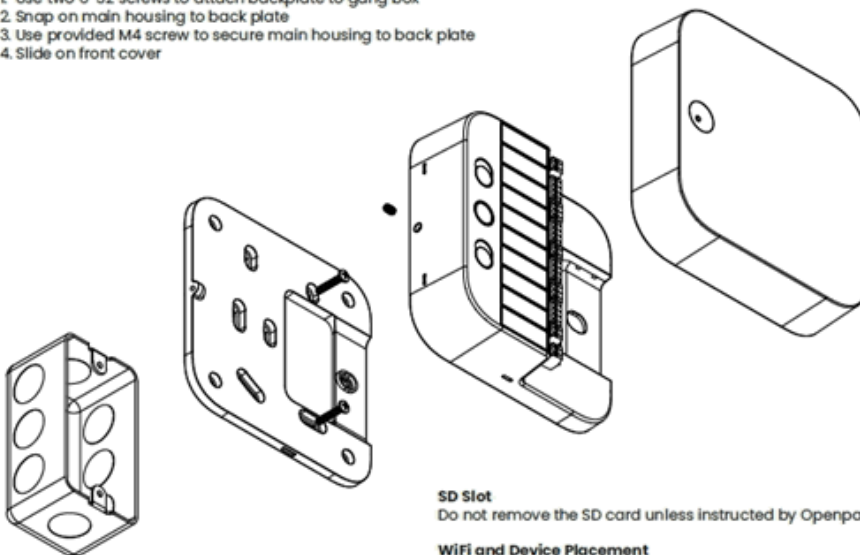
Installation

Mounting Instructions

Install Single Door Controller inside electrical box using provided 6-32 screws or on drywall using provided anchors and screws.

For a standard US 1-gang box

1. Use two 6-32 screws to attach backplate to gang box
2. Snap on main housing to back plate
3. Use provided M4 screw to secure main housing to back plate
4. Slide on front cover



Signature: 

Name / Title: **Nolan Clark / Director of Operations**

Address: **13428 Maxella Ave, #866, Marina Del Rey, CA 90292**

Company Name: **Openpath Security, Inc.**

TEL: **818-274-4240**

FAX: **424-334-0325**

Email: **nolan@openpath.com**