



Stock Code:002881

A Global Leading IoT Terminals And Wireless Data Solutions Provider

MeiG Product Manual of SLM750

Version Number: V1.1

Company: MeiG Smart Technology Co., Ltd

Released Date: 2018/8/13

MeiG Smart Technology Co.,Ltd

Add : Forge Science Park, No.5 Lingxia Rd, 4th Fenghuang Industrial Park, Fuyong Street, Bao'an District, Shenzhen, China.

Tel : 86-755-61163458
Http : [//www.meigsmart.com](http://www.meigsmart.com)

Fax : 86-755-61163452
Zip : 518103



IMPORTANT NOTICE**COPYRIGHT NOTICE**

Copyright © MeiG Smart Technology Co., Ltd. All rights reserved.

All contents of this manual are exclusively owned by MeiG Smart Technology Co., Ltd (MeiG Smart for short), which is under the protection of Chinese laws and copyright laws in international conventions. Anyone shall not copy, spread, distribute, modify or use in other ways with its contents without the written authorization of MeiG Smart. Those who violated will be investigated by corresponding legal liability in accordance with the law.

NO GUARANTEE

MeiG Smart makes no representation or warranty, either express or implied, for any content in this document, and will not be liable for any specific merchantability and applicable or any indirect, particular and collateral damage.

CONFIDENTIALITY

All information contained here (including any attachments) is confidential. The recipient acknowledges the confidentiality of this document, and except for the specific purpose, this document shall not be disclosed to any third party.

DISCLAIMER

MeiG Smart will not take any responsibility for any property and health damage caused by the abnormal operation of customers. Please develop the product according to the technical specification and designing reference guide which defined in the product manual. MeiG Smart have the right to modify the document according to technical requirement with no announcement to the customer.

Revising History

Table 1: Revising records

REVISION	DATE	DESCRIPTION
V1.0	2018-04-01	Initial
V1.1	2018-12-14	Modify power consumption, RF, packaging

MeiG Confidential

Contents

1 Introduction	8
1.1 Safety Information	9
1.1 Safety Information	9
1.2 Purpose	10
1.3 Content list	10
2 Product Overview	11
2.1 Basic Description	11
2.2 Main performance	11
2.3 Functional diagram	14
2.4 Evaluation Board	15
3 Application Interface	16
3.1 General Description	16
3.2 LCC Card Interface Definition	17
3.3 Pin Description	17
3.4 Operating Mode	28
3.5 Power Saving	30
3.5.1 Sleep Mode	30
3.5.1.1 USB Application (with USB remote waking-up function)	30
3.5.1.2 USB Application (without USB Suspend function)	31
3.5.1.3 Hardware I/O control sleep mode	31
3.5.2 Flight Mode	32
3.5.2.1 Hardware I/O interface controls flight mode	32
3.5.2.2 AT command controls flight mode	32
3.6 Power Supply	32
3.6.1 Power supply pins	32
3.6.2 Decrease voltage drop	33
3.6.3 Reference design for power supply	34
3.6.4 VDD_EXT voltage output	35
3.7 Turn On and Off	35
3.7.1 Turn on module using the PWRKEY	35
3.7.2 Turn off module using the PWRKEY pin	37
3.7.2.1 PWRKEY pin shutdown	37
3.7.2.2 AT command shutdown	38
3.8 Reset the Module	38
3.8.1 Hardware reset	39
3.8.2 AT command reset	40
3.9 USIM/SIM Card Interface	40
3.10 USB Interface	42
3.10.1 USB pin description	43
3.10.2 USB reference circuit	43
3.10.3 USB driver	44
3.11 UART Interface	44
3.12 PCM and I2C Interface	46

3.13 Network Status Indication	48
3.14 Status	49
3.15 ADC Function.....	50
3.16 SGMII Interface.....	50
3.17 Wireless Connectivity Interfaces	52
3.17.1 WLAN Interface	54
3.17.2 BT Interface	55
3.18 SD Card Interface	55
3.19 USB_BOOT Interface.....	57
4 GNSS.....	58
4.1 General Description.....	58
4.2 GNSS Performance.....	58
4.3 Layout Guideline	59
5 Antenna Interface.....	59
5.1 Antenna Interface.....	59
5.2 RF Reference Circuit	60
5.3 Antenna Installation.....	62
5.3.1 Antenna requirements	62
5.3.2 RF output power	62
5.3.3 RF receiving sensitivity	63
5.3.4 Operating frequency	64
5.3.5 Antenna requirements	64
6 Electrical characteristics	65
6.1 Limit voltage range.....	65
6.2 Temperature range	66
6.3 Electrical Characteristics of Interface Operation Status	66
6.4 Module Power Consumption Range	67
6.5 Environmental Reliability Requirements.....	72
6.6 ESD Characteristics	73
7 Mechanical Dimensions.....	74
7.1 Mechanical Dimensions of the Module	74
7.2 Recommended Packaging.....	76
7.3 Top View of the Module	77
7.4 Bottom View of the Module	77
8 Storage and Manufacturing.....	78
8.1 Storage.....	78
8.2 Manufacturing and Welding	79
8.3 Packing	79
9 Appendix A References.....	81
9.1 Related Documents.....	81
9.2 Terms and Abbreviations	81
10 Appendix B GPRS Coding Scheme.....	83

Table

TABLE 1: REVISING RECORDS	3
TABLE 2: SUPPORTED BAND OF SLM750V	11
TABLE 3: LIST OF MAIN FEATURES OF THE MODULE	12
TABLE 4: IO PARAMETERS DEFINITION	17
TABLE 5: PIN DESCRIPTION	18
TABLE 6: OVERVIEW OF OPERATING MODES	28
TABLE 7: RELATED POWER SUPPLY INTERFACES.....	33
TABLE 8: RESET_N PIN DESCRIPTION	39
TABLE 9: USIM/SIM CARD INTERFACE DESCRIPTION	40
TABLE 10: USB INTERFACE DESCRIPTION	43
TABLE 11: MAIN UART PIN DESCRIPTION.....	45
TABLE 12: DEBUG UART PIN DESCRIPTION	45
TABLE 13: UART LOGICAL LEVEL	45
TABLE 14: PIN DESCRIPTION FOR PCM INTERFACE	48
TABLE 15: PIN DEFINITION OF NETWORK INDICATOR.....	48
TABLE 16: WORKING STATE OF THE NETWORK INDICATOR	49
TABLE 17: STATUS PIN DESCRIPTION	49
TABLE 18: ADC PIN DESCRIPTION	50
TABLE 19: PIN DEFINITION OF SGMII INTERFACE.....	50
TABLE 20: PIN DEFINITION OF WIRELESS CONNECTIVITY INTERFACES	52
TABLE 21: PIN DEFINITION OF THE SD CARD INTERFACE	55
TABLE 22: PIN DEFINITION OF USB_BOOT INTERFACE	57
TABLE 23: GNSS PERFORMANCE	58
TABLE 24: RF ANTENNA PIN DEFINITION	59
TABLE 25: ANTENNA REQUIREMENTS	62
TABLE 26: RF OUTPUT POWER	63
TABLE 27: RF RECEIVING SENSITIVITY	63
TABLE 28: OPERATING FREQUENCY	64
TABLE 29: ANTENNA REQUIREMENTS	64
TABLE 30: DIVERSITY ANTENNA REQUIREMENTS.....	65
TABLE 31: LIMIT VOLTAGE RANGE	65
TABLE 32: TEMPERATURE RANGE	66
TABLE 33: LOGICAL LEVEL OF NORMAL DIGITAL IO SIGNAL	66
TABLE 34: ELECTRICAL CHARACTERISTICS IN POWER SUPPLY STATUS.....	67
TABLE 35: CONSUMPTION	67
TABLE 36: ENVIRONMENTAL RELIABILITY REQUIREMENTS	72
TABLE 37: ESD PERFORMANCE PARAMETERS (TEMPERATURE: 25°C, HUMIDITY: 45%).....	73
TABLE 38: TERMS AND ABBREVIATIONS	81
TABLE 39: DESCRIPTION OF CODING SCHEMES	83

Figure

FIGURE 1 FUNCTIONAL DIAGRAM.....	15
FIGURE 2 PIN ASSIGNMENT.....	17
FIGURE 3 SLEEP MODE APPLICATION WITH USB REMOTE WAKING-UP FUNCTION.....	31
FIGURE 4 POWER REQUIREMENTS FOR BURST TRANSMISSION.....	34
FIGURE 5 STAR STRUCTURE OF POWER SUPPLY.....	34
FIGURE 6 DC POWER SUPPLY CIRCUIT.....	35
FIGURE 7 TURN ON THE MODULE USING DRIVING CIRCUIT.....	36
FIGURE 8 TURN ON THE MODULE USING KEYSTROKE.....	36
FIGURE 9 TIMING OF TURNING ON MODULE.....	37
FIGURE 10 TIMING OF TURNING OFF MODULE.....	38
FIGURE 11 REFERENCE CIRCUIT OF RESET_N BY USING DRIVING CIRCUIT.....	39
FIGURE 12 REFERENCE CIRCUIT OF RESET_N BY USING BUTTON.....	39
FIGURE 13 RESET TIMING OF RESET_N.....	40
FIGURE 14 REFERENCE CIRCUIT FOR 8-PIN USIM/SIM CONNECTOR.....	41
FIGURE 15 REFERENCE CIRCUIT FOR 6-PIN USIM/SIM CONNECTOR.....	41
FIGURE 16 USB REFERENCE CIRCUIT.....	43
FIGURE 17 REFERENCE CIRCUIT OF LEVEL CONVERSION CHIP.....	46
FIGURE 18 TIMING IN SHORT FRAME MODE.....	47
FIGURE 19 TIMING IN LONG FRAME MODE.....	47
FIGURE 20 REFERENCE DESIGN FOR PCM CIRCUIT.....	48
FIGURE 21 REFERENCE CIRCUIT OF STATUS.....	50
FIGURE 22 SIMPLIFIED BLOCK DIAGRAM FOR ETHERNET APPLICATION.....	51
FIGURE 23 REFERENCE CIRCUIT OF SGMII INTERFACE WITH PHY AR8033 APPLICATION.....	52
FIGURE 24 REFERENCE CIRCUIT OF WIRELESS CONNECTIVITY INTERFACES WITH SLM158.....	54
FIGURE 25 REFERENCE CIRCUIT OF SD CARD APPLICATION.....	56
FIGURE 26 CIRCUIT OF USB_ROOT INTERFACE.....	58
FIGURE 27 RF REFERENCE CIRCUIT.....	61
FIGURE 28 GNSS ANTENNA REFERENCE CIRCUIT.....	61
FIGURE 29 MODULE TOP AND SIDE DIMENSION (UNIT: MM).....	74
FIGURE 30 MODULE BOTTOM DIMENSIONS (UNIT: MM).....	75
FIGURE 31 TOP VIEW OF RECOMMENDED PACKAGING (UNIT: MM).....	76
FIGURE 32 TOP VIEW OF THE MODULE.....	77
FIGURE 33 BOTTOM VIEW OF THE MODULE.....	77
FIGURE 34 REFLOW SOLDERING TEMPERATURE PROFILE.....	79
FIGURE 35 PALLET PACKAGING(UNIT: MM).....	80

1 Introduction

This document defines SLM750 modules and describes its air interface and hardware interface which are connected with your application.

The document can help you quickly understand SLM750 interface specifications, electrical and mechanical details and other related product information. Associated with application notes and user guide, you can apply SLM750 in wireless applications easily.

SLM750 wireless module is a broadband wireless vehicle-mounted product used for various network standards like TD-LTE/FDD LTE/WCDMA/TD-SCDMA/EVDO/CDMA/GSM.

Supported access rate of SLM750:

- TD-LTE: 130Mbps/35Mbps
- FDD LTE: 150Mbps/50Mbps
- WCDMA reaches DC HSPA+: 42Mbps/5.76Mbps
- EVDO reaches EVDO RevA: 3.1Mbps/1.8Mbps
- TD-SCDMA reaches HSPA: 4.2Mbps/2.2Mbps
- CDMA1x: 153.6kbps/153.6kbps
- GSM reaches EDGE: 236.8kbps/236.8kbps

SLM750 provides high-speed broadband data access. In addition, it provides voice, SMS, address book, GPS/Beidou and other functions, which can be used in mobile broadband access, video surveillance, security, vehicle equipment and other products.

1.1 Safety Information

Observing the following safety information can keep you safe and protect the product and its working environment from potential damage.



Full attention must be given to driving at all times in order to reduce the risk of an accident. Using a mobile while driving (even with a handsfree kit) causes distraction and can lead to an accident. Stop the car before you make a call.



Switch off the mobile terminal devices before boarding an aircraft. The operation of wireless appliances in an aircraft is forbidden, so as to prevent interference with communication systems. Ignoring the note will threaten flight safety or even break the law.



Pay attention to restrictions on the use of mobile terminal device in hospitals or health care facilities. RF interference can cause medical equipment to run out of order, so it is necessary to turn off the mobile terminal devices.



Mobile terminal device cannot be guaranteed to connect in all conditions, for example no mobile fee or with an invalid SIM card. While you are in this condition and need emergent help, remember to use emergency call. The mobile terminal device must be switched on and in a service area with adequate signal strength in order to make or receive a call.



Your mobile terminal device receives and transmits radio frequency signal when it is on. RF interference can occur if it is used too close to TV set, radio, computer or other electronic equipment.



Please keep the mobile device away from areas with potentially explosive atmospheres. When you are near a gas station, oil depot, chemical plant or an explosion site, please turn off your mobile terminal. There is a potential safety hazard to operate electronic equipment at any potential explosion hazardous locations.

1.2 Purpose

This document describes basic functions and main features of SLM750 wireless module, as well as hardware interface and its application, features of structure and electronics, and power index, in order to guide you to embed SLM750 in various application terminals.

1.3 Content list

The document includes:

- Chapter 1 introduces safety information, purpose of the document and revised records;
- Chapter 2 describes basic functions and main features of SLM750 wireless module;
- Chapter 3 describes functions, features, and applications of each hardware interface of SLM750;
- Chapter 4 describes related features of GNSS;
- Chapter 5 introduces related information and notes of antenna interface;
- Chapter 6 describes electronic features of SLM750;
- Chapter 7 describes structure features and notes of SLM750;
- Chapter 8 describes storage and production notes of SLM750;
- Chapter 9 Appendix A: Reference documents and abbreviations;
- Chapter 10 Appendix B: GPRS encoding scheme

2 Product Overview

2.1 Basic Description

SLM750 is a wireless communication module of TD-LTE/FDD LTE/TD-SCDMA/WCDMA/EVDO/CDMA/GSM with diversity receiving function. It supports TD-LTE and FDD LTE, and downwards compatible with DC-HSPA+ of WCDMA, TD-HSPA of TD-SCDMA, network data connection of EVDO RevB, which provides functions of voice, analog voice, SMS, and communication for your applications. The module has 3 sub-modes: SLM750VC, SLM750VE, SLM750VA. The following table shows the supported bands of the module.

Table 2: Supported band of SLM750

Network	SLM750VC	SLM750VE	SLM750VA
TD-LTE	B38/B39/B40/B41	B40	B41
FDD LTE	B1/B3/B5/B8	B1/B3/B5/B7/B8/B20	B2/B4/B5/B12/B13/B17/B25/B26
WCDMA	B1/B8	B1/B5/B8	B2/B4/B5
TD-SCDMA	B34/B39	Not supported	Not supported
EVDO	Not supported	Not supported	Not supported
CDMA	BC0	Not supported	BC0/BC1
GSM	900/1800	900/1800	850/1800
GPS L1	Supported	Supported	Supported

Using advanced highly integrated design, SLM750 integrates RF and baseband on a piece of PCB which has functions of wireless reception and transmission, baseband signal processing and audio signal processing. It uses double side layout and the size is: 32.0×29.0×2.4mm. The module can meet most M2M application requirements like mobile broadband access, video surveillance, handheld terminals, on-board equipment, ultra-books and other products. In addition, SLM750 is compatible with Qualcomm MDM9628 main chip, which can be used in vehicle-mounted application.

2.2 Main performance

The following table describes the performance of the SLM750 in detail.

Table 3: List of main features of the module

Parameter	Description
Power supply	<ul style="list-style-type: none"> ● VBAT supply voltage range: 3.3V~4.2V ● Typical supply voltage: 3.8V
Transmit power	<ul style="list-style-type: none"> ● Class 4 (33dBm±2dB) for GSM850 ● Class 4 (33dBm±2dB) for GSM900 ● Class 1 (30dBm±2dB) for DCS1800 ● Class 1 (30dBm±2dB) for PCS1900 ● Class E2 (27dBm±3dB) for GSM850 8-PSK ● Class E2 (27dBm±3dB) for GSM900 8-PSK ● Class E2 (26dBm±3dB) for DCS1800 8-PSK ● Class E2 (26dBm±3dB) for PCS1900 8-PSK ● Class 3 (24dBm±1dB) for CDMA BC0 ● Class 3 (23dBm±2dB) for WCDMA bands ● Class 3 (23dBm±2dB) for TD-SCDMA bands ● Class 3 (23dBm±2dB) for LTE FDD bands ● Class 3 (23dBm±2dB) for TD-LTE bands
LTE features	<ul style="list-style-type: none"> ● Maximum support non-CA CAT4 ● Support 1.4 ~ 20MHz RF bandwidth ● Downlink supports multi-user MIMO ● FDD: maximum uplink rate 50Mbps,maximum downlink rate 150Mbps ● TDD: maximum uplink rate 35Mbps,maximum downlink rate 130Mbps
WCDMA features	<ul style="list-style-type: none"> ● Support 3GPP R8 DC-HSPA+ ● Support 16-QAM,64-QAM and QPSK modulation ● 3GPP R6 CAT6 HSUPA: maximum uplink rate 5.76Mbps ● 3GPP R8 CAT24 DC-HSPA+: maximum uplink rate 42Mbps
TD-SCDMA features	<ul style="list-style-type: none"> ● Support CCSA Release3 ● Maximum uplink rate 2.2Mbps,maximum downlink rate 4.2Mbps
CDMA features	<ul style="list-style-type: none"> ● Support CDMA 1X Advanced,1XEV-DO_r0/-DO_rA ● maximum uplink rate 1.8Mbps,maximum downlink rate 3.1Mbps
GSM features	R99: <ul style="list-style-type: none"> ● CSD transmission rate: 9.6kbps,14.4kbps GPRS: <ul style="list-style-type: none"> ● Support GPRS multi-slot class 12(default 12) ● Coding format: CS-1/CS-2/CS-3 and CS-4 ● Maximum 4 RX slots per frame EDGE:

	<ul style="list-style-type: none"> ● Support EDGE multi-slot class 12(default 12) ● Support GMSK and 8-PSK ● Downlink coding format: CS 1-4 and MCS 1-9 ● Uplink coding format: CS 1-4 and MCS 1-9
Network protocol features	<ul style="list-style-type: none"> ● Support TCP/UDP/PPP/FTP/HTTP/SMTP/MMS/NTP/PING/QMI protocol ● Support PAP(Password Authentication Protocol)and CHAP(Challenge Handshake Authentication Protocol)
Short message service	<ul style="list-style-type: none"> ● Text and PDU mode ● Point to point MO and MT ● Short message cell broadcast ● Short message storage: default stored in module
Multimedia message service	<ul style="list-style-type: none"> ● AP terminal is required to realize MMS protocol
USIM card interface	<ul style="list-style-type: none"> ● Support USIM/SIM card: 1.8V and 3V
Audio features	<ul style="list-style-type: none"> ● Support 1 channel digital audio interface: PCM interface ● GSM: HR/FR/EFR/AMR/AMR-WB ● WCDMA: AMR/AMR-WB ● LTE: AMR/AMR-WB ● Support echo cancellation and noise suppression
PCM interface	<ul style="list-style-type: none"> ● For audio use, need to connect the codec chip ● Support 8 bit A-law, u-law and 16 bit Linear coding format ● Support long frame mode and short frame mode ● Support master mode and slave mode, but in the long frame it can only be used as the master mode
USB interface	<ul style="list-style-type: none"> ● Compatible USB2.0 features (only support slave mode),maximum data transfer rate reaches 480Mbps ● Used for AT command, data transmission, GNSS NMEA output, software debugging and software upgrading ● USB drive: support Windows7, Windows8/8.1, Windows10, Linux 2.6 or higher version, Android 2.3/4.0/4.2/4.4/5.0/5.1/6.0/7.0
Serial port	<p>Main serial port:</p> <ul style="list-style-type: none"> ● Used for AT commands and data transfer ● Maximum baud rate is 3000000bps,default 115200bps ● Support RTS and CTS hardware flow control <p>Debug serial port:</p> <ul style="list-style-type: none"> ● Used for Linux control, log output ● Baud rate is 115200bps
RX-diversity	<ul style="list-style-type: none"> ● Support LTE/WCDMA/CDMA RX-diversity
AT command	<ul style="list-style-type: none"> ● Confirm to 3GPP TS 27.007, 27.005 and added new MeiG AT commands
Network indication	<ul style="list-style-type: none"> ● The two pins NET_STATUS,NET_MODE indicate the network status

Antenna interface	<ul style="list-style-type: none"> ● Include main antenna(ANT_MAIN),RX-D diversity antenna(ANT_DIV) and GNSS antenna(ANT_GNSS)
Physical features	<ul style="list-style-type: none"> ● Size: 32.0×29.0×2.4mm ● Weight: <5 g
Temperature range	<ul style="list-style-type: none"> ● Normal operating temperature: -30℃~+75℃ ● Limited operating temperature: -40℃~+85℃ ● Storage temperature: -45℃~+90℃
Software upgrade	<ul style="list-style-type: none"> ● USB interface
RoHS	<ul style="list-style-type: none"> ● All hardware components fully comply with the EU RoHS standard
Ambient humidity	<ul style="list-style-type: none"> ● 5%~95%
ESD	<ul style="list-style-type: none"> ● VBAT,GND: Air discharge ±10KV,Contact discharge ±5KV ● Antenna interface: Air discharge ±8KV,Contact discharge ±4KV ● Other interface: Air discharge ±1KV,Contact discharge ±0.5KV
Interface	<ul style="list-style-type: none"> ● 144Pin LCC interface
LCC function interface	<ul style="list-style-type: none"> ● Power interface ● USB2.0 High-Speed interface ● UART interface ● USIM/SIM card interface (support 3V、 1.8V) ● PCM interface ● Hardware reset interface ● Indicator light interface ● Sleep control interface ● Flight mode control interface ● ADC interface ● I2C interface ● SGMII interface ● SD card interface ● WLAN interface ● BT_UART interface ● USB_BOOT interface

2.3 Functional diagram

The following figure shows a block diagram of SLM750 and illustrates the major functional parts.

- Power management
- Baseband chip
- DDR+NAND storage

- Radio frequency
- Peripheral interface

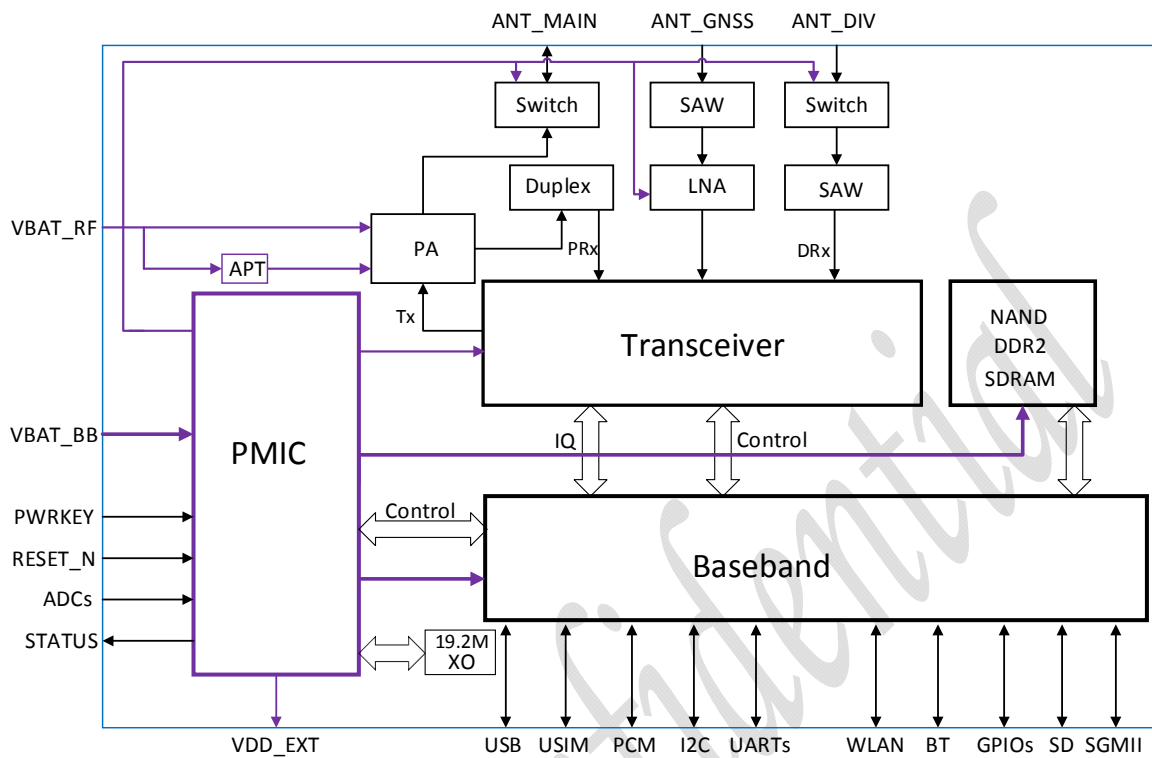


Figure 1 Functional Diagram

2.4 Evaluation Board

In order to help you develop applications with SLM750, MeiG supplies an evaluation board, which contains USB data cable, antenna and other peripherals to control or test the module.

See MeiG_U_EVB User Guide for specific usage of evaluation board.

3 Application Interface

3.1 General Description

SLM750 uses LCC+LGA interface with a total of 144 PIN among which there are 80 LCC pins and 64 LGA pins, providing the following function interface:

- Power interface
- USIM/SIM interface
- USB interface
- UART interface
- PCM interface
- I2C interface
- Hardware reset interface
- Status indication interface
- Sleep control interface
- Flight mode control interface
- ADC interface
- SGMII interface
- SD card interface
- WLAN interface
- BT_UART interface
- USB_BOOT interface

3.2 LCC Card Interface Definition



Figure 2 Pin Assignment

3.3 Pin Description

The following table shows the SLM750’s pin definition.

Table 4: IO Parameters Definition

Type	Description
------	-------------

IO	Input output
DI	Digital input
DO	Digital output
PI	Power input
PO	Power output
AI	Analog input
AO	Analog output
OD	Open drain

Table 5: Pin description

Power Supply					
Pin name	Pin number	I/O	Description	DC features	Note
VBAT_BB	59,60	PI	Power supply for module baseband	V _{max} =4.2V V _{min} =3.3V V _{norm} =3.8V	It must be able to provide sufficient current up to 1A
VBAT_RF	57,58	PI	Power supply for module RF	V _{max} =4.2V V _{min} =3.3V V _{norm} =3.8V	It must be able to provide sufficient current up to 2A
VDD_EXT	7	PO	1.8V output	V _{norm} =1.8V I _{o,max} =80mA	Power supply for external GPIO's pull up circuits; If unused, keep it open
GND	8,9,19,22, 36,46,48, 50~54, 56,72, 85~112	-	Ground	-	-
Turn on/off					
Pin name	Pin number	I/O	Description	DC features	Note
RESET_N	20	DI	Reset the module	V _{IH,max} =2.1V V _{IH,min} =1.3V V _{IL,max} =0.5V	1.8V power domain; active low level. If unused, keep it open
PWRKEY	21	DI	Turn on/Standby	V _{IH,max} =2.1V V _{IH,min} =1.3V V _{IL,max} =0.5V	Diode voltage drop inside Qualcomm chip results in 0.8V output of the pin
Module status indication					
Pin name	Pin number	I/O	Description	DC features	Note

STATUS	61	OD	Indicate the module operating status	Driving current should be less than 0.9mA	Require external pull-up. If unused, keep it open
NET_MODE	5	OD	Indicate the module network registration status	VOHmin=1.35V VOLmax=0.45V	1.8V power domain, require external pull-up. If unused, keep it open
NET_STATUS	6	OD	Indicate the module network running status	VOHmin=1.35V VOLmax=0.45V	1.8V power domain, require external pull-up. If unused, keep it open
USB interface					
Pin name	Pin number	I/O	Description	DC features	Note
USB_VBUS	71	PI	USB detection	Vmax=5.25V Vmin=3.0V Vnorm=5.0V	
USB_DP	69	IO	USB differential data positive signal	Compliant with USB2.0 standard specification	Require differential impedance of 90Ω
USB_DM	70	IO	USB differential data negative signal	Compliant with USB2.0 standard specification	Require differential impedance of 90Ω
USIM card interface					
Pin name	Pin number	I/O	Description	DC features	Note
USIM_DATA	15	IO	USIM card data bus	1.8V USIM: V _{IL} max=0.6V V _{IH} min=1.2V V _{OL} max=0.45V V _{OH} min=1.35V 3.0V USIM: V _{IL} max=1.0V V _{IH} min=1.95V V _{OL} max=0.45V V _{OH} min=2.55V	-
USIM_CLK	16	DO	USIM card clock line	1.8V USIM: V _{OL} max=0.45V V _{OH} min=1.35V 3.0V USIM: V _{OL} max=0.45V	-

				$V_{OHmin}=2.55V$	
USIM_RST	17	DO	USIM card reset line	1.8V USIM: $V_{OLmax}=0.45V$ $V_{OHmin}=1.35V$ 3.0V USIM: $V_{OLmax}=0.45V$ $V_{OHmin}=2.55V$	-
USIM_PRESENCE	13	DI	USIM card detection	$V_{ILmin}=-0.3V$ $V_{ILmax}=0.6V$ $V_{IHmin}=1.2V$ $V_{IHmax}=2.0V$	1.8V power domain, require external pull-up to 1.8V
USIM_VDD	14	PO	USIM card supply voltage	1.8V USIM: $V_{max}=1.9V$ $V_{min}=1.7V$ 3.0V USIM: $V_{max}=3.05V$ $V_{min}=2.7V$ $I_{o,max}=50mA$	Either 1.8V or 3.0V USIM card is identified by the module automatically
USIM_GND	10		USIM card ground		Connect with module ground
Main serial port					
Pin name	Pin number	I/O	Description	DC features	Note
RI	62	DO	Ring indicator	$V_{OLmax}=0.45V$ $V_{OHmin}=1.35V$	1.8V power domain. If unused, keep it open.
DCD	63	DO	Carrier detect	$V_{OLmax}=0.45V$ $V_{OHmin}=1.35V$	1.8V power domain. If unused, keep it open.
DTR	66	DI	DTE ready, sleep mode control	$V_{ILmin}=-0.3V$ $V_{ILmax}=0.6V$ $V_{IHmin}=1.2V$ $V_{IHmax}=2.0V$	1.8V power domain. If unused, keep it open.
RXD	68	DI	Receive data	$V_{ILmin}=-0.3V$ $V_{ILmax}=0.6V$ $V_{IHmin}=1.2V$ $V_{IHmax}=2.0V$	1.8V power domain. If unused, keep it open.
TXD	67	DO	Transmit data	$V_{OLmax}=0.45V$ $V_{OHmin}=1.35V$	1.8V power domain. If unused, keep it open.
CTS	64	DI	Clear to send	$V_{OLmax}=0.45V$	1.8V power

				VOHmin=1.35V	domain. If unused, keep it open.
RTS	65	DO	DTE requires to transmit data	VILmin=-0.3V VILmax=0.6V VIHmin=1.2V VIHmax=2.0V	1.8V power domain. If unused, keep it open.
Debug serial port					
Pin name	Pin number	I/O	Description	DC features	Note
DBG_TXD	12	DO	Transmit data	VOLmax=0.45V VOHmin=1.35V	1.8V power domain. If unused, keep it open.
DBG_RXD	11	DI	Receive data	VILmin=-0.3V VILmax=0.6V VIHmin=1.2V VIHmax=2.0V	1.8V power domain. If unused, keep it open.
ADC interface					
Pin name	Pin number	I/O	Description	DC features	Note
ADC0	45	AI	General purpose analog to digital converter.	Voltage range: 0.05V~1.8V	If unused, keep it open.
ADC1	44	AI	General purpose analog to digital converter.	Voltage range: 0.05V~1.8V	If unused, keep it open.
USB_BOOT interface					
Pin name	Pin number	I/O	Description	DC features	Note
USB_BOOT	115	DI	Forced download mode control	VOLmax=0.45 VOHmin=1.35V	1.8V power domain. Active high level. Suggested reservation of test point.
PCM interface					
Pin name	Pin number	I/O	Description	DC features	Note
PCM_IN	24	DI	PCM data input	VILmin=-0.3V VILmax=0.6V	1.8V power domain.

				$V_{IHmin}=1.2V$ $V_{IHmax}=2.0V$	If unused, keep it open.
PCM_OUT	25	DO	PCM data output	$V_{OLmax}=0.45V$ $V_{OHmin}=1.35V$	1.8V power domain. If unused, keep it open.
PCM_CLK	27	IO	PCM clock	$V_{OLmax}=0.45V$ $V_{OHmin}=1.35V$ $V_{ILmin}=-0.3V$ $V_{ILmax}=0.6V$ $V_{IHmin}=1.2V$ $V_{IHmax}=2.0V$	1.8V power domain. In master mode, it is an output signal. In slave mode, it is an input signal. If unused, keep it open.
PCM_SYNC	26	IO	PCM data synchronous signal	$V_{OLmax}=0.45V$ $V_{OHmin}=1.35V$ $V_{ILmin}=-0.3V$ $V_{ILmax}=0.6V$ $V_{IHmin}=1.2V$ $V_{IHmax}=2.0V$	1.8V power domain. In master mode, it is an output signal. In slave mode, it is an input signal. If unused, keep it open.
CDC_I2S_MCLK	116	DO	19.2MHz signal clock		Module outputs 19.2MHz clock signal, which is used to provide to the external CODEC, If unused, keep it open.

I2C interface

Pin name	Pin number	I/O	Description	DC features	Note
I2C_SCL	41	OD	I2C serial clock		Require external pull-up to 1.8V. If unused, keep it open.
I2C_SDA	42	OD	I2C serial data		Require external pull-up to 1.8V. If unused, keep it open.

RF Interface

Pin name	Pin number	I/O	Description	DC features	Note
ANT_DIV	35	AI	Diversity antenna	50 ohm impedance	If unused, keep it open.
ANT_MAIN	49	IO	Main antenna	50 ohm	

				impedance	
ANT_GNSS	47	AI	GNSS antenna	50 ohm impedance	If unused, keep it open.
GPIO Pin					
Pin name	Pin number	I/O	Description	DC features	Note
WAKEUP_IN	1	DI	Sleep mode input control	$V_{ILmin}=-0.3V$ $V_{ILmax}=0.6V$ $V_{IHmin}=1.2V$ $V_{IHmax}=2.0V$	1.8V power domain. High level wakes up the module; in low level the module enters into sleep mode. If unused, keep it open.
AP_READY	2	DI	Application processor sleep state detection	$V_{OLmax}=0.45V$ $V_{OHmin}=1.35V$	1.8V power domain. If unused, keep it open.
WAKEUP_OUT_N	3	DO	Sleep mode output	$V_{OLmax}=0.45V$ $V_{OHmin}=1.35V$	1.8V power domain. If unused, keep it open.
W_DISABLE#	4	DI	Flight mode control	$V_{ILmin}=-0.3V$ $V_{ILmax}=0.6V$ $V_{IHmin}=1.2V$ $V_{IHmax}=2.0V$	1.8V power domain. In low level the module enters into flight mode. If unused, keep it open.
WLAN interface					
Pin name	Pin number	I/O	Description	DC features	Note
BT_RTS*	37	DO	Bluetooth serial port request to send data	$V_{ILmin}=-0.3V$ $V_{ILmax}=0.6V$ $V_{IHmin}=1.2V$ $V_{IHmax}=2.0V$	1.8V power domain. If unused, keep it open.
BT_TXD*	38	DO	Bluetooth serial port sends data	$V_{OLmax}=0.45V$ $V_{OHmin}=1.35V$	1.8V power domain. If unused, keep it open.
BT_RXD*	39	DI	Bluetooth Serial Port receives data	$V_{ILmin}=-0.3V$ $V_{ILmax}=0.6V$	1.8V power domain.

				VIHmin=1.2V VIHmax=2.0V	If unused, keep it open.
BT_CTS*	40	DI	Bluetooth serial sending clearance	VOLmax =0.45V VOHmin =1.35V	1.8V power domain. If unused, keep it open.
BT_EN*	139	DO	Bluetooth enables	VOLmax =0.45V VOHmin =1.35V	1.8V power domain. If unused, keep it open.
WLAN_SLP_CLK	118	DO	WLAN sleep clock		If unused, keep it open.
PM_ENABLE	127	DO	External power supply enables control	VOLmax =0.45V VOHmin =1.35V	1.8V power domain. If unused, keep it open.
SDC1_DATA3	129	IO	WLAN SDIO signal data line 3	VOLmax=0.45 VOHmin=1.35V VILmin=-0.3V VILmax=0.6V VIHmin=1.2V VIHmax =2.0V	1.8V power domain. If unused, keep it open.
SDC1_DATA2	130	IO	WLAN SDIO signal data line 2	VOLmax=0.45 VOHmin=1.35V VILmin=-0.3V VILmax=0.6V VIHmin=1.2V VIHmax =2.0V	1.8V power domain. If unused, keep it open.
SDC1_DATA1	131	IO	WLAN SDIO signal data line 1	VOLmax=0.45 VOHmin=1.35V VILmin=-0.3V VILmax=0.6V VIHmin=1.2V VIHmax =2.0V	1.8V power domain. If unused, keep it open.
SDC1_DATA0	132	IO	WLAN SDIO signal data line 0	VOLmax=0.45 VOHmin=1.35V VILmin=-0.3V VILmax=0.6V VIHmin=1.2V VIHmax =2.0V	1.8V power domain. If unused, keep it open.
SDC1_CLK	133	DO	WLAN SDIO signal clock	VOLmax=0.45 VOHmin=1.35V	1.8V power domain. If unused, keep it open.
SDC1_CMD	134	DO	WLAN SDIO	VOLmax=0.45	1.8V power

			instruction signal	VOHmin=1.35V	domain. If unused, keep it open.
WAKE_ON_WIRELESS	135	DI	WLAN wakes the module	V ILmin=-0.3V VILmax=0.6V VIHmin=1.2V VIHmax =2.0V	1.8V power domain. Active low level. If unused, keep it open.
WLAN_EN	136	DO	WLAN enables	VOLmax=0.45 VOHmin=1.35V	1.8V power domain. Active high level. If unused, keep it open.
COEX_UART_RXD	137	DI	LTE/WLAN&BT coexistence signal	V ILmin=-0.3V VILmax=0.6V VIHmin=1.2V VIHmax =2.0V	1.8V power domain. If unused, keep it open.
COEX_UART_TXD	138	DO	LTE/WLAN&BT coexistence signal	VOLmax=0.45 VOHmin=1.35V	1.8V power domain. If unused, keep it open.
SD card Interface					
Pin name	Pin number	I/O	Description	DC features	Note
SD_INS_DET	23	DI		VILmin=-0.3V VILmax=0.6V VIHmin=1.2V VIHmax =2.0V	1.8V power domain. If unused, keep it open
VDD_SDIO	34	PO		IOmax =50mA	
SD_CMD	33	IO	SD card SDIO instruction signal	1.8V SD card: VOLmax=0.45 VOHmin=1.4V V ILmin=-0.3V VILmax=0.58V VIHmin=1.27V VIHmax =2.0V 3.0V SD card: VOLmax=0.38V VOHmin=2.01V V ILmin=-0.3V VILmax=0.76V VIHmin=1.72V VIHmax=3.34V	Refer to SD3.0 protocol. If unused, keep it open.
SD_CLK	32	DO	SD card SDIO signal clock	1.8V SD card: VOLmax=0.45V	Refer to SD3.0 protocol. If

				VOHmin =1.4V 3.0V SD card: VOLmax=0.38V VOHmin=2.01V	unused, keep it open.
SD_DATA3	28	IO	SD card SDIO signal data line 3	1.8V SD card: VOLmax=0.45 VOHmin=1.4V V ILmin=-0.3V VILmax=0.58V VIHmin=1.27V VIHmax =2.0V 3.0V SD card: VOLmax=0.38V VOHmin=2.01V V ILmin=-0.3V VILmax=0.76V VIHmin=1.72V VIHmax=3.34V	Refer to SD3.0 protocol. If unused, keep it open.
SD_DATA2	29	IO	SD card SDIO signal data line 2	1.8V SD card: VOLmax=0.45 VOHmin=1.4V V ILmin=-0.3V VILmax=0.58V VIHmin=1.27V VIHmax =2.0V 3.0V SD card: VOLmax=0.38V VOHmin=2.01V V ILmin=-0.3V VILmax=0.76V VIHmin=1.72V VIHmax=3.34V	Refer to SD3.0 protocol. If unused, keep it open.
SD_DATA1	30	IO	SD card SDIO signal data line 1	1.8V SD card: VOLmax=0.45 VOHmin=1.4V V ILmin=-0.3V VILmax=0.58V VIHmin=1.27V VIHmax =2.0V 3.0V SD card: VOLmax=0.38V VOHmin=2.01V V ILmin=-0.3V VILmax=0.76V VIHmin=1.72V	Refer to SD3.0 protocol. If unused, keep it open.

				VIHmax=3.34V	
SD_DATA0	31	IO	SD card SDIO signal data line 0	1.8V SD card: VOLmax=0.45V VOHmin=1.4V VILmin=-0.3V VILmax=0.58V VIHmin=1.27V VIHmax =2.0V 3.0V SD card: VOLmax=0.38V VOHmin=2.01V VILmin=-0.3V VILmax=0.76V VIHmin=1.72V VIHmax=3.34V	Refer to SD3.0 protocol. If unused, keep it open.
SGMII Pin					
Pin name	Pin number	I/O	Description	DC features	Note
EPHY_RST_N*	119	DO	Ethernet PHY reset	For 1.8V: VOLmax=0.45V VOHmin=1.4V For 2.85V: VOLmax=0.35V VOHmin =2.14V	1.8V /2.85V power domain. If unused, keep it open.
EPHY_INT_N*	120	DI	Ethernet PHY interruption	VILmin=-0.3V VILmax=0.6V VIHmin=1.2V VIHmax=2.0V	1.8V /2.85V power domain. If unused, keep it open.
SGMII_MDATA*	121	IO	SGMII MDIO data	For 1.8V: VOLmax=0.45V VOHmin=1.4V VILmax =0.58V VIHmin =1.27V For 2.85V: VOLmax=0.35V VOHmin =2.14V VILmax =0.71V VIHmin =1.78V	1.8V/2.85V power domain. If unused, keep it open.
SGMII_MCLK*	122	DO	SGMII MDIO clock	For 1.8V: VOLmax=0.45V VOHmin=1.4V For 2.85V: VOLmax=0.35V VOHmin =2.14V	
USIM2_VDD	128	PO	SGMII MDIO	-	1.8V/2.85V power

*			power supply		domain, require external pull-up level for SGMII SDIO Pin
SGMII_TX_M*	123	AO	SGMII data transmit negative signals	-	If unused, keep it open.
SGMII_TX_P*	124	AO	SGMII data transmit positive signals	-	If unused, keep it open.
SGMII_RX_P*	125	AI	SGMII data receive positive signals	-	If unused, keep it open.
SGMII_RX_M*	126	AI	SGMII data receive negative signals	-	If unused, keep it open.
Reserved Pins					
RESERVED	18, 43, 55, 73~84, 113, 114, 117, 140~144		Reserved		Keep it open

3.4 Operating Mode

Table 6: Overview of Operating Modes

Mode	Description	
GSM mode	GSM IDLE	The module is in idle state and has registered to the GSM network, and it is ready to send and receive data(SMS and voice service).
	GSM TALK	The module is ready for voice talk service; the power consumption is decided by net setting.
GPRS mode	GPRS IDLE	The module is ready for GPRS data transfer. No data sending or receiving at this time. The power consumption is decided by net setting and related settings of GPRS. (For example, multi slot Class level settings)
	GPRS DATA	In GPRS data sending and receiving, the power consumption is decided by net setting (eg. Power control level), data uplink and downlink rat and related settings of GPRS. (For example, multi slot Class level settings)
EDGE Mode	EDGE IDLE	The module is ready for EDGE data transfer. No data sending or receiving at this time. The power

		consumption is decided by net setting and related settings of EDGE. (For example, multi slot Class level settings)
	EDGE DATA	In EDGE data sending and receiving, the power consumption is decided by net setting (eg. Power control level), data uplink and downlink rat and related settings of EDGE. (For example, multi slot Class level settings)
CDMA Mode	CDMA IDLE	The module is ready for CDMA voice and data transfer. No data sending or receiving at this time.
	CDMA DATA	CDMA data transfer is ongoing.
EVDO Mode	EVDO IDLE	The module is ready for EVDO voice and data transfer. No data sending or receiving at this time.
	EVDO DATA	EVDO data transfer is ongoing.
WCDMA Mode	WCDMA IDLE	The module system is in idle state and the module has been registered to the WCDMA network, and it is ready to send and receive services at this time
	WCDMA TALK	The module is in WCDMA voice service, the power consumption is decided by net setting.
	WCDMA DATA	WCDMA data transfer is ongoing. The power consumption is decided by net setting (eg. Power control level), data uplink and downlink rate and related settings of WCDMA.
HSPA Mode	HSPA IDLE	The module is ready for HSPA voice and data transfer. No data sending or receiving at this time. The power consumption is decided by net setting.
	HSPA DATA	HSPA data transfer is ongoing. The power consumption is decided by net setting (eg. Power control level), data uplink and downlink rate and related settings of HSPA.
TD-SCDMA Mode	TD-SCDMA IDLE	The module system is in idle state and the module has been registered to the TD-SCDMA network, and it is ready to send and receive services at this time.
	TD-SCDMA TALK	The module TD-SCDMA is in voice service, and the power consumption is decided by network settings
	TD-SCDMA DATA	TD-SCDMA data transfer is ongoing, the power consumption is decided by net settings (eg. Power control level), data uplink and downlink rate and related settings of TD-SCDMA
TD-HSPA Mode	TD-HSPA IDLE	The module system is in idle state and the module has been registered to the TD-HSPA network, and it is ready to send and receive services at this time.
	TD-HSPA	TD-HSPA data transfer is ongoing, the power

	DATA	consumption is decided by net settings(eg. Power control level), data uplink and downlink rate and related settings of TD-HSPA.
TD-LTE Mode	TD-LTE IDLE	The module is ready for TD-LTE data transfer. No data sending or receiving at this time. The power consumption is decided by net setting.
	TD-LTE DATA	TD-LTE data transfer is ongoing; the power consumption is decided by net setting(eg. Power control level), data uplink and downlink rate and related settings of TD-LTE.
FDD LTE Mode	FDD LTE IDLE	The module is ready for FDD LTE data transfer. No data sending or receiving at this time. The power consumption is decided by net setting.
	FDD LTE DATA	FDD LTE data transfer is ongoing; the power consumption is decided by net setting (eg. Power control level), data uplink and downlink rate and related settings of FDD LTE.
Minimum functionality mode	AT+CFUN=0 command can set the module to enter into a minimum functionality mode without removing the power supply of VBAT. At this time RF is closed. Use AT+CFUN=1command the module reopens sending and receiving service and registers network to the normal function mode.	
Flight mode	W_DISABLE_N pin can set the module to enter into flight mode. In this mode FR function will be invalid.	
Sleep mode	In this mode, the consumption of the module will be reduced to the minimum level. During the mode, the module can still receive paging message, SMS, voice call and TCP/UDP data from the network normally.	
Power down mode	VBAT shuts down in the low power supply mode. In this mode, PMU stops supplying power to baseband and RF; software is inactive and the serial interface is not accessible.	

3.5 Power Saving

3.5.1 Sleep Mode

In sleep mode SLM750 is able to reduce its current consumption to a minimum value. The following part describes the sleep mode of SLM750.

3.5.1.1 USB Application (with USB remote waking-up function)

If host supports USB suspend/resume and remote waking-up function, the following SLM750 Module Hardware Design

preconditions can let the module enter into sleep mode.

- Execute AT+SLEEPEN=1 command to enable sleep mode.
- Keep WAKEUP_IN to high level.
- Host USB interface connecting to the module enters into suspend state.
- Sending data to SLM750 from USB will wake up the module.

Connections between the module and the host are as follows:

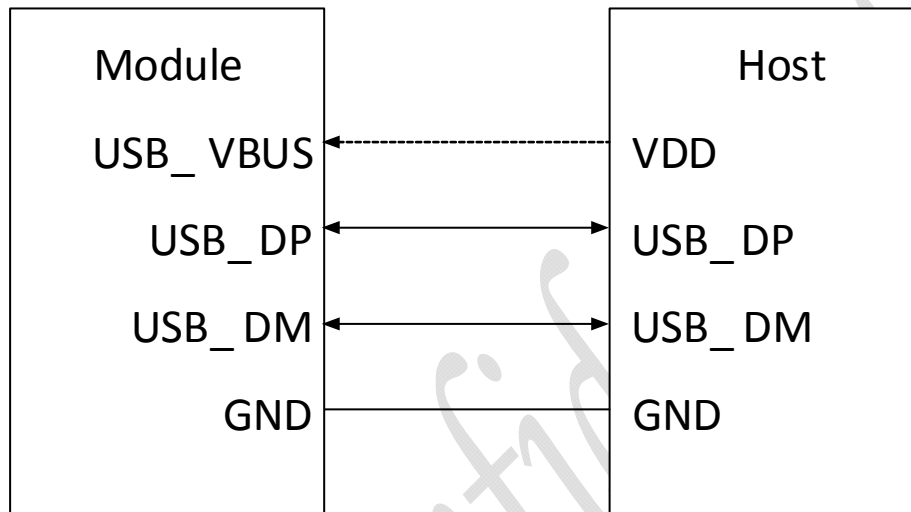


Figure 3 Sleep mode application with USB remote waking-up function

3.5.1.2 USB Application (without USB Suspend function)

If host does not support suspend function, you should disconnect VCC with external control circuit to let the module enter into the sleep mode:

- Execute command AT+SLEEPEN=1 to enable the sleep mode.
- Disconnect USB_VDD.
- Restoring the USB_VDD power supply can wake up the module.

3.5.1.3 Hardware I/O control sleep mode

The WAKEUP_IN (Pin1) pin is the pin that triggers sleep in the module. When the sleep function of the module is enabled, the pin is pulled down (initially at a high level), and the module triggers the sleep process after detecting the descent edge of the pin. In the case of full release of sleep locks, the module will smoothly enter the sleep state.

Whether the sleep function of the module is enabled can be checked by at+ sleepen? via the AT query, when the query returns a result of 0 indicating the current state of sleep function is forbidden and the sleep function is enabled by 1. Similarly, you can use the AT query at + sleepen=1,

or at +sleepen=0 to enable or disable sleep function of the module. When the module sleep function is disabled, the module sleep related pin will be invalid, USB PHY will not enter the low power (LPM) when the USB bus is suspended.

When the module is in a sleep state (WAKEUP_IN pin pulls down to trigger module sleep), the pin should be pulled up, and at the same time, WAKEUP_IN will produce a rising edge, the module will trigger a wake-up after detecting break in the rising edge, after that, the WAKEUP_IN will remain high, and the module keeps awake.

The module control signal level supports 1.8 V logic level.

3.5.2 Flight Mode

When the module enters into flight mode, the RF function will not work, and all AT commands correlative with RF function will be inaccessible. You can use the following ways to let the module enter into flight mode:

3.5.2.1 Hardware I/O interface controls flight mode

The W_DISABLE_N pin (PIN4) of SLM750 gives the module a low level signal. The module enters into flight mode and RF sending and receiving unit stops working. Pull up PIN4 and the module will enter into normal mode.

Module control signal level supports 1.8V logical level.

3.5.2.2 AT command controls flight mode

Send AT+CFUN=4 command to let the module enter into flight mode, and RF sending and receiving unit stops working at the time. Send AT+CFUN=1 command to let the module enter into normal mode again.

3.6 Power Supply

3.6.1 Power supply pins

SLM750 has four VBAT pins to connect to external power and can be divided into two power fields:

- Two VBAT_RF pins are used to supply RF power.
- Two VBAT_BB pins are used to supply Baseband power.

Below table shows the assignment of power and ground pins:

Table 7: Related power supply interfaces

Pin name	Pin No.	Description	Min value	Typical value	Max value	Unit
VBAT_BB	59,60	Power supply for module baseband	3.3	3.8	4.2	V
VBAT_RF	57,58	Power supply for module RF	3.3	3.8	4.2	V
GND	8,9,19, 22,36,46,48,50~54, 56,72, 85~112	Ground	-	0	-	V

3.6.2 Decrease voltage drop

The power supply range of SLM750 is from 3.3V to 4.2V. During data transmission or conversation, instantaneous high-power emission will form a peak current up to 2A, which will lead to a large ripple of VBAT. If instantaneous voltage drop leads to too low VBAT power supply voltage, the module will shut down. Make sure there are sufficient power supply capabilities and the input voltage will never drop below 3.3V to make the module work well.

The following figure shows the voltage drop during transmitting burst in 2G network. The voltage drop will be less in 3G and 4G networks.

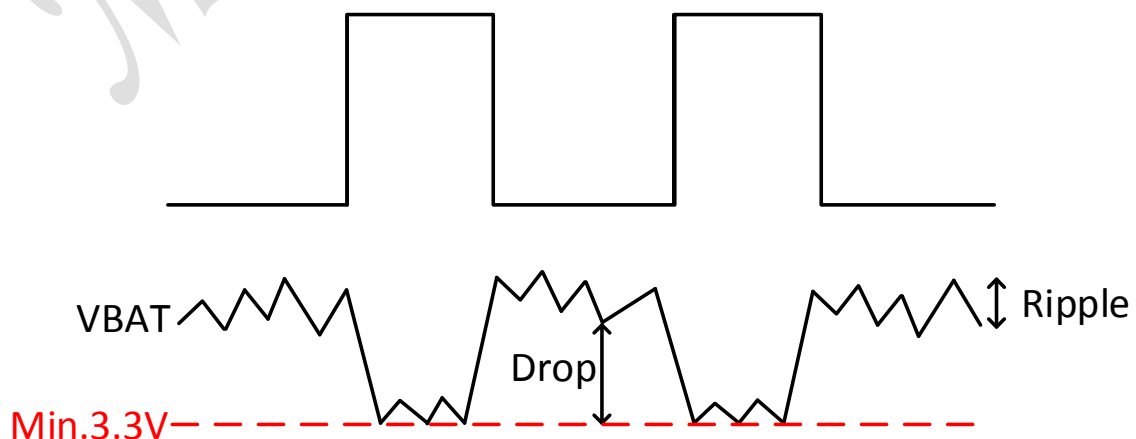


Figure 4 Power requirements for burst transmission

In order to reduce voltage drop, a low ESR 100uF filter capacitor is needed. The multilayer ceramic capacitor (MLCC) has the best ESR, suggestion to add three ceramic capacitors (100nF, 33pF, 10pF) to VBAT_BB and VBAT_RF pins, and the capacitors should be placed close to the VBAT pin. When external power supply makes connection to module, VBAT_BB and VBAT_RF need to apply star line. VBAT_BB line width should not be less than 1 mm, and VBATRF line width should not be less than 2 mm. In principle, the longer the VBAT line, the wider the line width.

In addition, in order to ensure the stability of the power supply, it is recommended to add a Zener diode at the front end of the power supply with a power of 5.1V and a work and power of 0.5W or higher. The reference circuit is as follows:

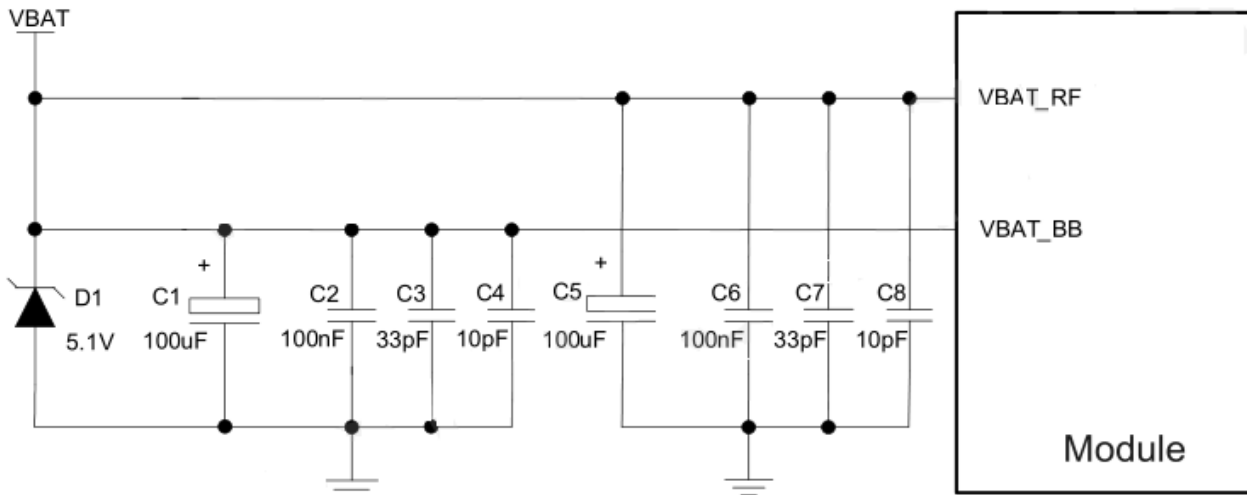


Figure 5 Star structure of power supply

3.6.3 Reference design for power supply

The power design for the module is very important as the performance of the module largely depends on the power supply. The power supply is capable of providing sufficient current up to 2A at least. If the voltage drop between the input and output is not too high, it is recommended that you use a LDO to supply power for the module. If there is a big voltage difference between the input and the output, DCDC is preferred to be used as a power supply.

The following figure shows a reference design for +5V input power supply. The designed output for the power supply is +3.3V (typical value 3.8V) and the maximum load current is 3A.

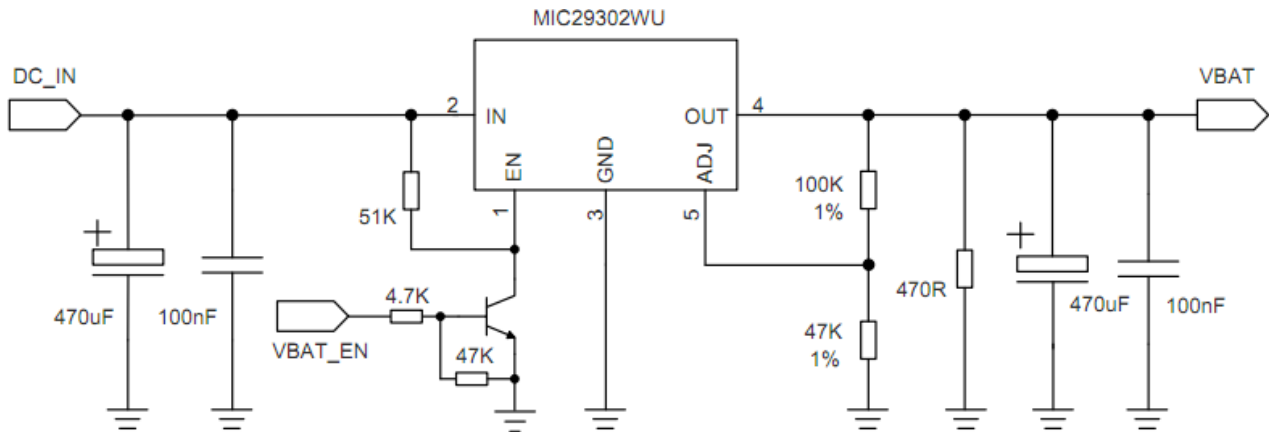


Figure 6 DC power supply circuit

3.6.4 VDD_EXT voltage output

If SLM750 module turns on normally, there is a voltage output of 1.8V, current load 80mA in PIN7. You can use the output voltage as external power supply, for example level reference, and judge if the module is turned on by reading pin level status.

3.7 Turn On and Off

3.7.1 Turn on module using the PWRKEY

Table 7.1: Description of PWR_KEY pin

Pin name	Pin number	Function	DC features	Description
PWR_KEY	21	Turn on/off the module	$V_{IHmax}=2.1V$ $V_{IHmin}=1.3V$ $V_{ILmax}=0.5V$	

When SLM750 is in power down mode, it can be turned on to normal mode by driving the PWRKEY pin to a low level for at least 100ms. It is suggested that you use an open set driver circuit to control PWRKEY pin. After STATUS pin (require external pull-up) outputting a low level, PWRKEY pin can be released. Reference circuit is illustrated in the following figure:

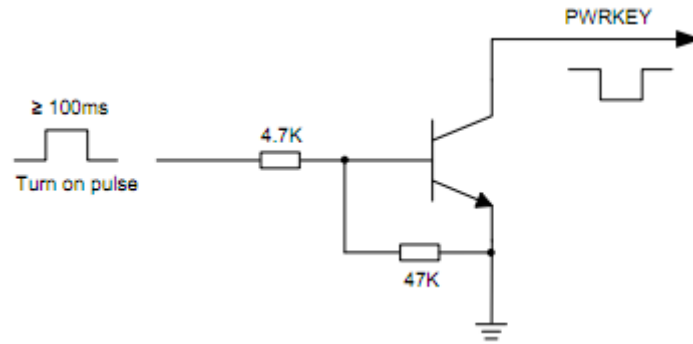


Figure 7 Turn on the module using driving circuit

The other way to control the PWRKEY is using a button directly. A TVS component is indispensable to be placed nearby the button for ESD protection. A reference circuit is shown in the following figure:

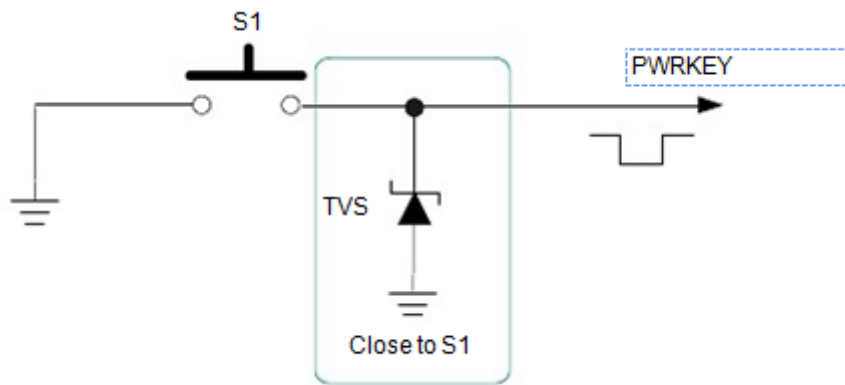


Figure 8 Turn on the module using keystroke

Turning on time is illustrated as follows:

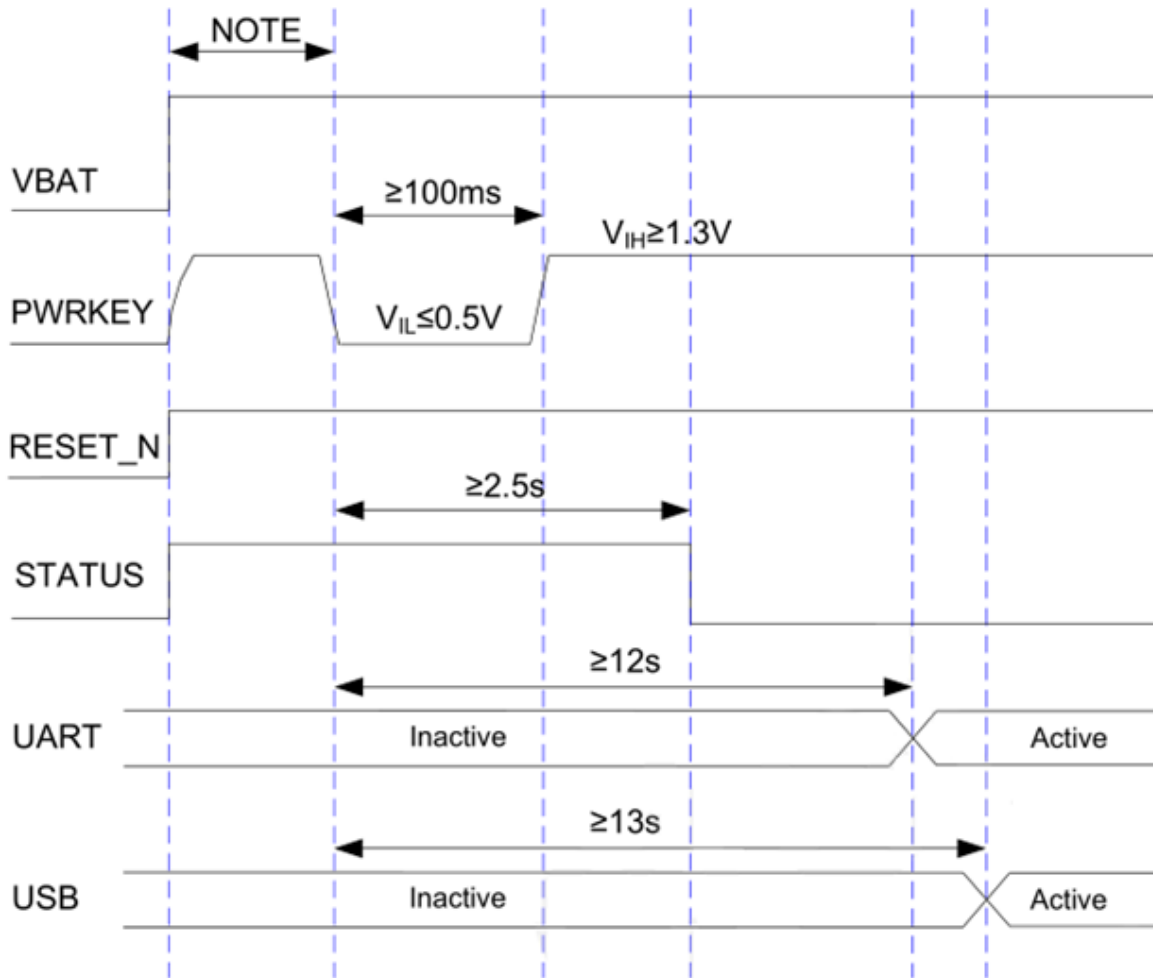


Figure 9 Timing of turning on module

Note:

1. $T_{note} > 30ms$.

2. If the external pull up design of PWRKEY pin is added, it is recommended that the pull-up level range is 1.3V~2.1V

3.7.2 Turn off module using the PWRKEY pin

Modules can be shut down in the following ways:

- normal shutdown: shutdown through PWRKEY pin control module;
- normal shutdown: shutdown through AT command

3.7.2.1 PWRKEY pin shutdown

When the module is on, the PWRKEY pin is pulled down and released after holding at least 2s,

then the module will perform the shutdown process. The shutdown sequence is shown in the following figure:

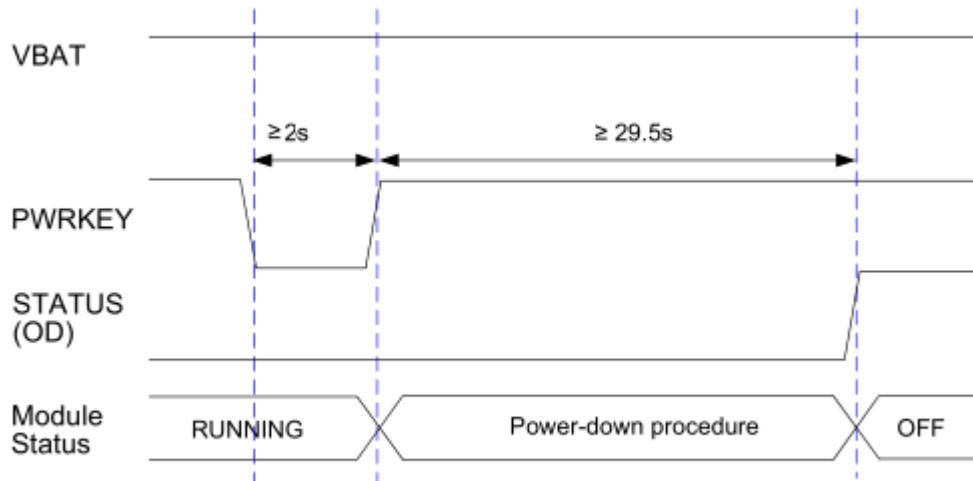


Figure 10 Timing of turning off module

3.7.2.2 AT command shutdown

The AT + Poweroff command can be used to control the shutdown of module. This shutdown process is equivalent to a pulled-down PWRKEY pin shutdown process.

NOTES: 1. When the module works properly, do not immediately cut off the module power to avoid damage to the module internal Flash data. It is strongly recommended to turn off the module by using the PWRKEY or AT command before disconnecting the power.

2. When using the AT command to shut down, make sure that the PWRKEY is always in a high level state after the shutdown command execution, otherwise the module will automatically boot again after shutdown.

3.8 Reset the Module

Hardware and AT command can be used to reset SLM750.

3.8.1 Hardware reset

When the module is in operation, puling down 150~460ms of the RESET_N pin to reset module. The RESET_N signal is sensitive to interference.

Table 8: RESET_N pin description

Pin name	Pin number	Function	DC features	Description
RESET_N	20	Reset module	V _{IH} max=2.1V V _{IH} min=1.3V V _{IL} max=0.5V	

Reference circuit is as follows: you can use open set driver circuit or button to control RESET_N pin.

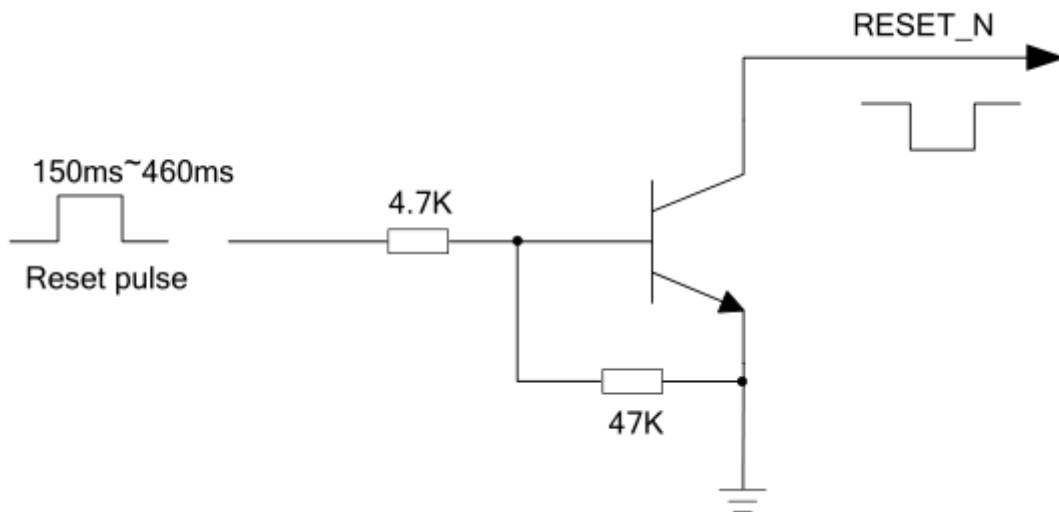


Figure 11 Reference circuit of RESET_N by using driving circuit

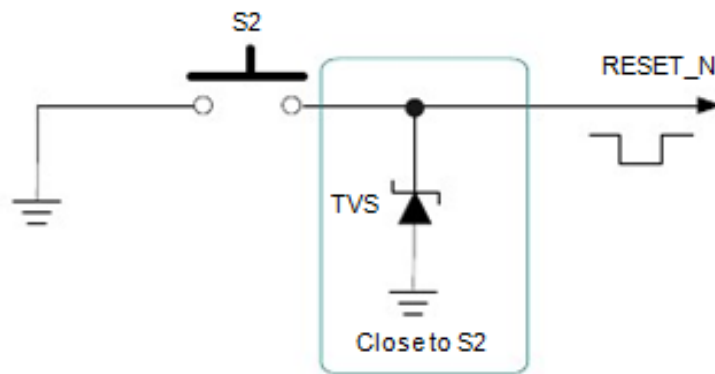


Figure 12 Reference circuit of RESET_N by using button

The reset timing figure is as follows:

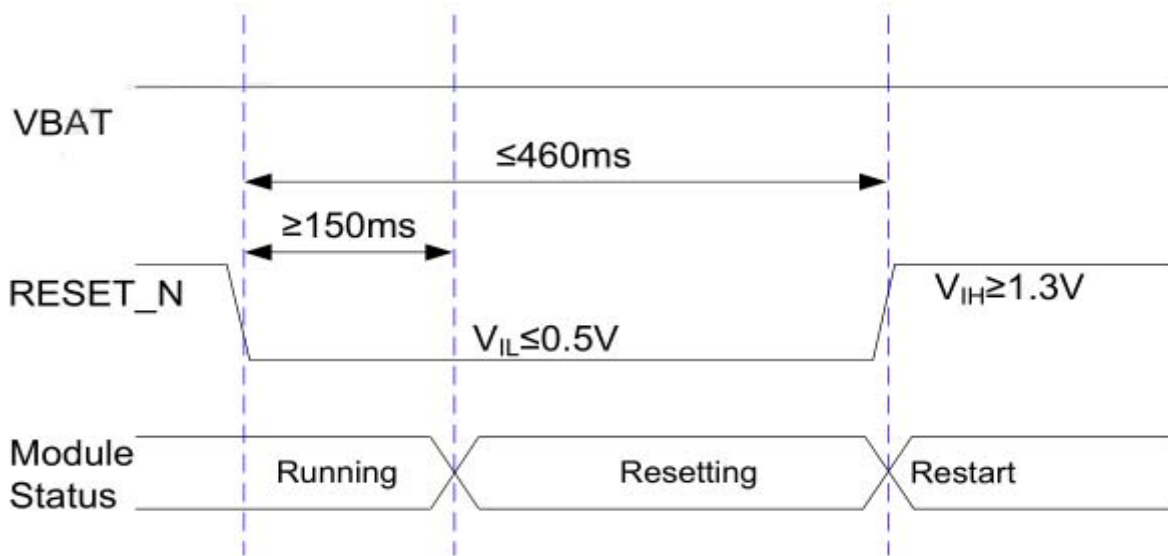


Figure 13 Reset timing of RESET_N

3.8.2 AT command reset

Enter AT+RESET command in SLM750VUART or USB AT interface to reset and restart SLM750.

3.9 USIM/SIM Card Interface

USIM card interface meets ETSI and IMT-2000 SIM interface requirements. Both 1.8V and 3.0V USIM cards are supported by SLM750

Table 9: USIM/SIM card interface description

Pin name	Pin number	I/O	Description	Note
USIM_DATA	15	IO	USIM card data signal	
USIM_CLK	16	DO	USIM card clock signal	
USIM_RST	17	DO	USIM card reset signal	
USIM_VDD	14	PO	USIM card power supply	Support 1.8V and 3.0V USIM card
USIM_PRESENCE	13	DI	USIM card plug detection	Require to pull up to 1.8V
GND	10	-		

SLM750 supports USIM card hot plugging and hot plugging function is turned off by default. The following figure shows USIM_PRESENCE pin high level, no card, USIM_PRESENCE pin ground after inserting card on SIM card connector.

SLM750 supports USIM hot plugging function through the USIM_PRESENCE pin, support high-level detection, and the default hot-plugging function is turned off by default. The USIM_PRESENCE pin level is in high voltage after the SIM card is inserted as shown in below figure, The USIM_PRESENCE pin level is in low voltage when no card is detected.

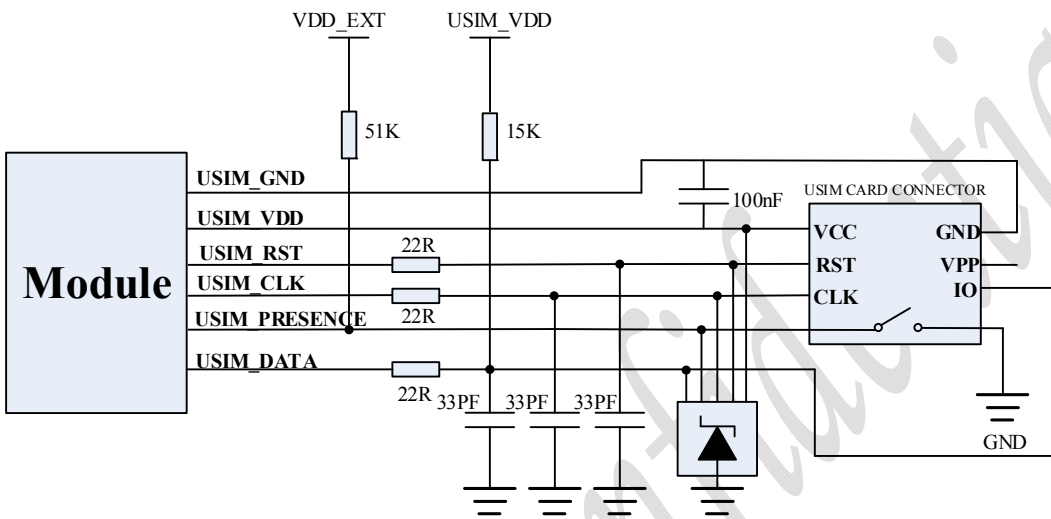


Figure 14 Reference circuit for 8-pin USIM/SIM connector

If USIM card detection function is not required, keep USIM_PRESENCE pin pulling up to 1.8V. The following figure is a reference circuit for 6-pin USIM/SIM connector:

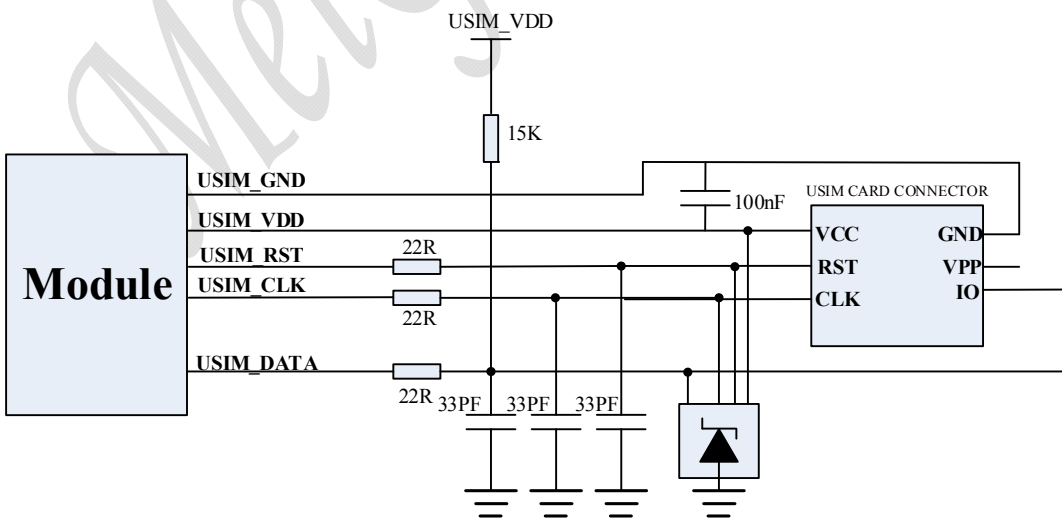


Figure 15 Reference circuit for 6-pin USIM/SIM connector

In order to enhance the reliability and availability of the USIM card in your application, please follow the criteria below in the USIM circuit design:

- USIM_DATA requires a pull-up resistor of 15k Ω to USIM_VCC; the pull-up resistor helps to increase SIM card's anti-interference ability. When USIM card trace is too long or it is close to the interference source, it is recommended that you add a pull-up resistor near the card.
- In order to suppress stray EMI and enhance ESD protection, it is recommended to connect a resistance of 22 Ω on USIM_DATA, USIM_CLK and USIM_RST line.
- In order to improve the antistatic ability and offer good ESD protection, it is recommended to add TVS whose parasitic capacitance should be less than 15pF on USIM_VDD, USIM_DATA, USIM_CLK and USIM_RST line.
- In order to filter GSM900 interference, add a parallel 33pF resistance on USIM_VDD, USIM_DATA, USIM_CLK and USIM_RST line.
- Keep layout of USIM card as close as possible to the module. Assure the length of signal wiring is less than 200mm.
- Keep USIM card signal away from RF and VBAT power line.
- To avoid cross-talk between USIM_CLK and USIM_DATA, keep them away from each other and shield them with surrounded ground.
- Complete hot plugging of USIM/SIM card by using the DETECT pin of hot plug card slot and the 13pin of the module. The default setting does not support hot plug function. Contact us if you need more information about the function.

Note: Hot plug of SIM Connectors is not supported. Hot plug to USIM and SIM card can cause damages to USIM /SIM card or SLM750V USIM /SIM card interfaces.

3.10 USB Interface

SLM750 provides a USB interface which complies with USB 2.0 specification and supports high-speed (480Mbps) and full-speed (12Mbps) modes. The USB interface is used for AT command communication, data transmission, software debugging and version upgrade.

3.10.1 USB pin description

SLM750 module provides a USB2.0 High-Speed interface.

Table 10: USB interface description

Name	Pin name	I/O	Description	Note
USB_DM	70	IO	USB differential data signal-	Require 90Ω differential impedance
USB_DP	69	IO	USB differential data signal+	Require 90Ω differential impedance
GND	72	-	Ground	
USB_VBUS	71	PI	USB power supply, used for USB detection	Typical value 5.0V

3.10.2 USB reference circuit

USB interface application reference circuit of SLM750 is shown in the following figure.

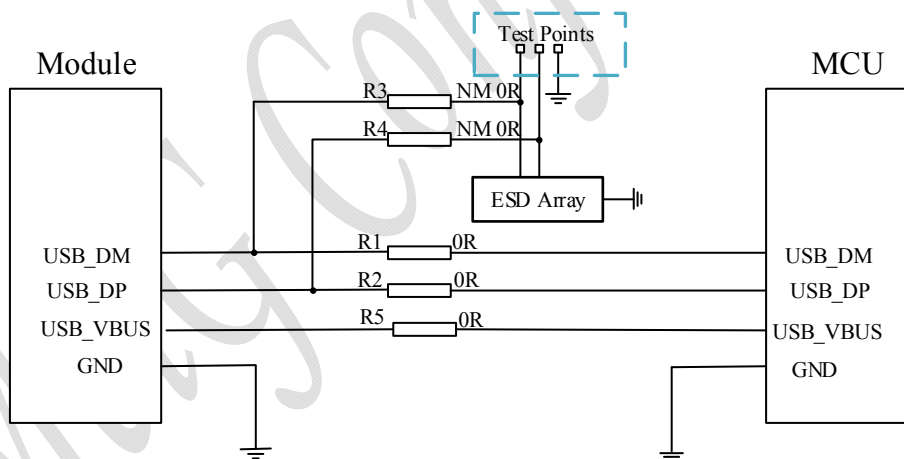


Figure 16 USB reference circuit

In order to meet the signal integrity requirements of the USB data line, the resistors R1/ R2/ R3/ R4 must be placed close to the module, and the resistors need to be placed close to each other. The connection point branch must be as short as possible.

In the design of USB interface circuit, in order to ensure the performance of USB, the following principles are recommended in circuit design:

- The module USB_VBUS is not used to power the module, but is used to detect the insertion and pull-out of the USB.
- In order to reduce the signal interference of USB high speed data transmission, connect R1 and R2 between USB_DM and USB_DP interface circuit to improve the data transmission rate. It is recommended that you use R1 and R2 of 0Ω.
- In order to improve the antistatic performance of USB interface, it is recommended to add ESD protection components on USB_DP and USB_DM interface circuit. It is recommended that you use ESD components with junction capacitance less than 2pF.
- In order to ensure that the USB is reliable, consider more about the protection of USB when designing, such as the protection of USB on Layout requires impedance control of 90Ω for USB_DP, USB_DM, tracing strictly according to differential requirements, and keeping away from the interference signal as far as possible.
- Do not trace the USB line in the crystal oscillator, oscillator, magnetic device and RF signal; it is recommended to trace inner differential line and up and down around the package.

3.10.3 USB driver

SLM750 supports various operation systems, such as PC operation systems: Windows 10, Windows 7/8, embedded operation system, Linux2.6 or higher, Android 2.3/4.0/4.2/4.4/5.0/5.1/6.0/7.0, which requires private USB driver support.

For different operating systems and different VID and PID, USB driver provides different driver files. Contact supporting staff if you have specific requirements.

3.11 UART Interface

SLM750 provides two UART interfaces: main UART interface and debug UART interface. The features of them are illustrated as below:

- Main UART interface supports 9600, 19200, 38400, 57600, 115200, 230400, 460800, 921600bps and 3000000bps baud rate, the default is 115200bps. The interface can be used for data transmission and AT command communication.

- Debug UART interface supports 115200bps baud rate. It can be used for Linux console, log print.

Table 11: Main UART pin description

Pin name	Pin number	I/O	Description	Note
RXD	68	DI	Receive data	1.8V power domain
TXD	67	DO	Transmit data	1.8V power domain
CTS	64	DI	Clear to send	1.8V power domain. If unused, keep it open
RTS	65	DO	DTE requires to transmit data	1.8V power domain. If unused, keep it open
RI	62	DO	Ring indicator	1.8V power domain. If unused, keep it open. The function is to be development.
DCD	63	DO	Output carrier detect	1.8V power domain. If unused, keep it open. The function is to be development.
DTR	66	DI	DTE ready, sleep mode control	1.8V power domain. If unused, keep it open. The function is to be development.

Table 12: Debug UART pin description

Pin name	Pin number	I/O	Description	Note
DBG_RXD	11	DI	Receive data	1.8V power supply domain
DBG_TXD	12	DO	Transmit data	1.8V power supply domain

Table 13: UART logical level

Parameter	Min	Max	Unit
V _{IL}	-0.3	0.6	V
V _{IH}	1.2	2.0	V
V _{OL}	0	0.45	V
V _{OH}	1.35	1.8	V

SLM750 provides 1.8V serial port. If your application serial port is 3.3V, you need to add level converter. It is recommended that you use TXB0104PWR from TI Company. Reference design is shown as follows:

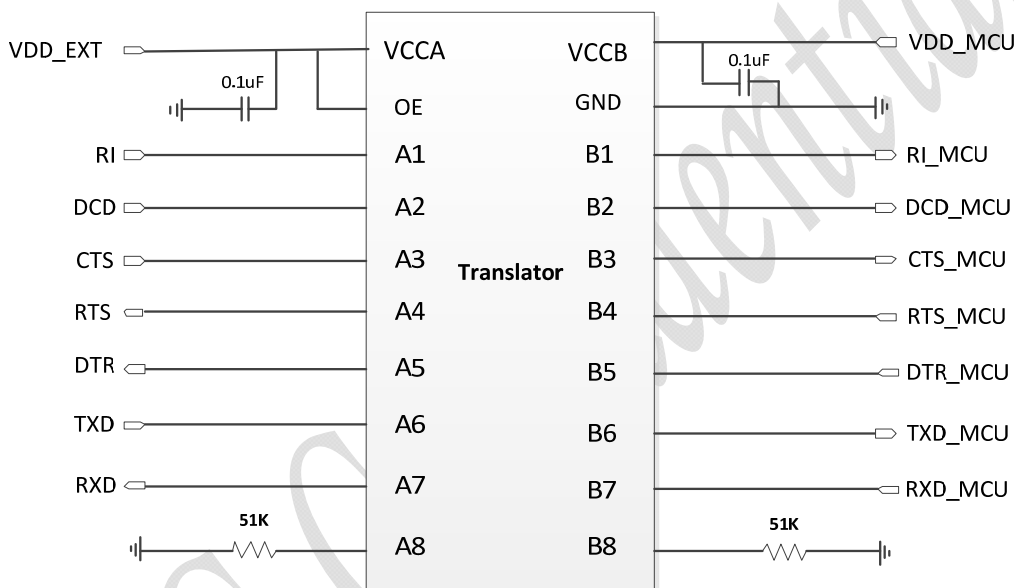


Figure 17 Reference circuit of level conversion chip

3.12 PCM and I2C Interface

SLM750 provides one PCM interface which supports the following two modes:

- Short frame mode: the module works as both master and slave
- Long frame mode: the module works as master only

In short frame mode, the data is sampled on the falling edge of the PCM_CLK and transmitted on the rising edge; the PCM_SYNC falling edge represents the more significant bit. PCM_CLK supports 128, 256, 512, 1024 and 2048kHz speech codes.

In long frame mode, the data is sampled on the falling edge of the PCM_CLK and transmitted

on the rising edge; the PCM_SYNC rising edge represents the more significant bit. The mode only supports 128 kHz PCM_CLK and 8kHz, 50% duty cycle PCM_SYNC.

SLM750 supports 8-bit A-law, u-law and 16-bit linear encoding formats. The following figures show the timing relationship in short frame mode with PCM_SYNC=8 kHz and PCM_CLK=2048kHz, as well as the timing relationship in long frame mode with PCM_SYNC=8 kHz and PCM_CLK=128kHz.

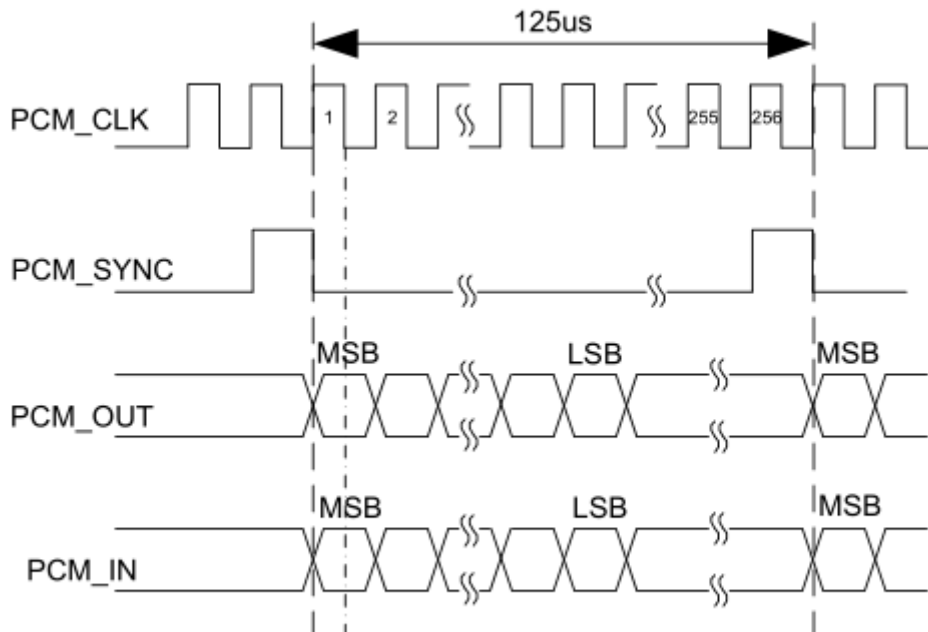


Figure 18 Timing in short frame mode

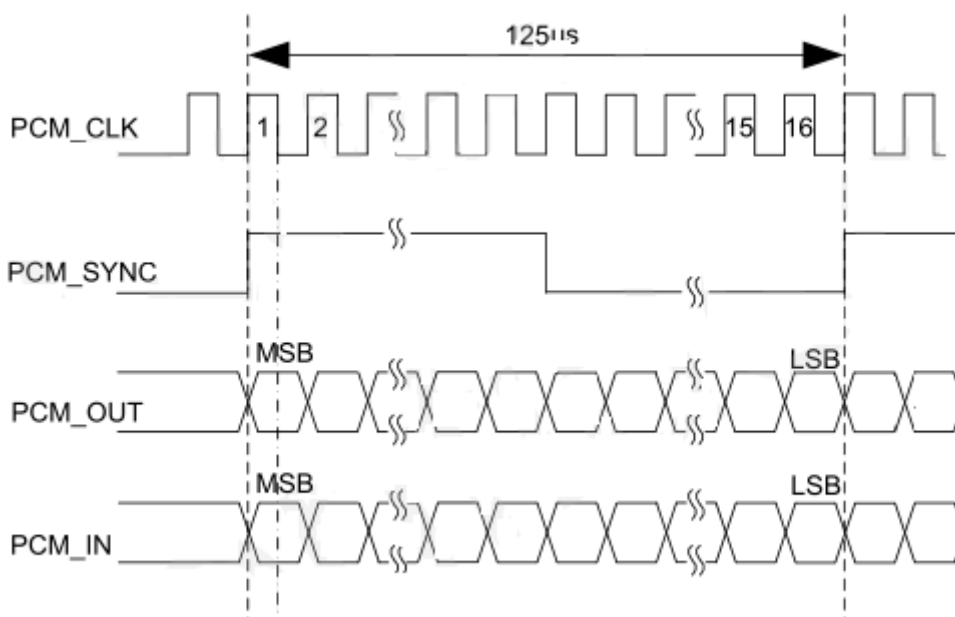


Figure 19 Timing in long frame mode

Table 14: Pin description for PCM interface

Pin name	Pin number	I/O	Description	Note
PCM_CLK	27	IO	PCM clock	1.8V power supply domain
PCM_OUT	25	DO	PCM data output	1.8V power supply domain
PCM_IN	24	DI	PCM data input	1.8V power supply domain
PCM_SYNC	26	IO	PCM data synchronous signal	1.8V power supply domain
I2C_SCL	41	OD	I2C clock	Require 1.8V external pulling-up
I2C_SDA	42	OD	I2C data	Require 1.8V external pulling-up

The following figure shows a reference design of PCM interface with an external codec IC.

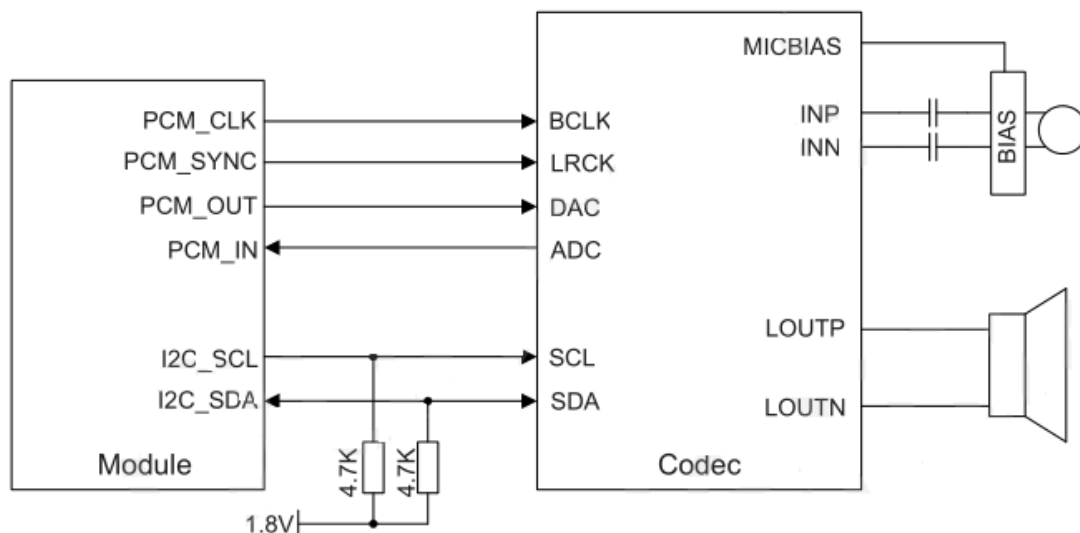


Figure 20 Reference design for PCM circuit

3.13 Network Status Indication

The network indication pins can be used to drive a network status indicator LED. SLM750 provides two network indication pins: NET_MODE and NET_STATUS. The following tables describe pin definition and logic level changes in different network status.

Table 15: Pin Definition of Network Indicator

Pin name	Pin number	I/O	Description	Note
----------	------------	-----	-------------	------

NET_STATUS	6	DO	Indicate the module network activity status.	1.8V power supply domain
NET_MODE	5	DO	Indicate the module network registration mode.	1.8V power supply domain

Table 16: Working State of the Network Indicator

Mode	Status	Description
NET_MODE	High level	Register LTE network status
	Low level	Others
NET_STATUS	Flicker (200ms OFF/1400ms ON)	Data transfer status
	High level	Registration success
	Low level	Others

3.14 Status

The STATUS pin is an open drain output for indicating the module's operation status. You can connect it to a GPIO of DTE with a pull up resistor, or as the LED indication circuit shown below. When the module is turned on normally, the STATUS will present high level.

Table 17: STATUS pin description

Pin name	Pin no.	Description	I/O	Note
STATUS	61	Indicate the module operation status	OD	Require external pulling-up

The following figure shows different design circuits of STATUS, you can choose either one according to your application demands.

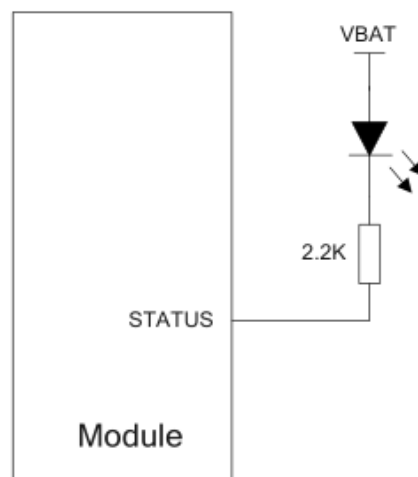


Figure 21 Reference circuit of STATUS

3.15 ADC Function

SLM750 provides two analogy- to-digital converters. Using AT+ADCREAD=1 to read the voltage value of ADC0. Using AT+ADCREAD=6 read the voltage value of ADC1.

Table 18: ADC pin description

Pin name	Pin no.	Description	Voltage range	Resolution
ADC0	45	Analogy to digital converter interface 0	0.05 – 1.8V	15bits
ADC1	44	Analogy to digital converter interface 1	0.05 – 1.8V	15bits

NOTES: 1. The ADC interface cannot directly connect to any input voltage when the module is not powered by VBAT.

2. It is recommended that the ADC pin adopt the input of the voltage divider circuit.

3.16 SGMII Interface

SLM750 includes an integrated Ethernet MAC with an SGMII interface and two management interfaces (MDIO) , key features of the SGMII interface are shown below:

- IEEE802.3 compliance
- Full duplex at 1000Mbps
- Half/full duplex for 10/100Mbps
- Support VLAN tagging
- Support IEEE1588 and Precision Time Protocol (PTP)
- Can be used to connect to external Ethernet PHY like AR8033, or to an external switch
- MDIO supports dual voltage 1.8V/2.85V

Pin definitions of SGMII interface are as bellow:

Table 19: Pin definition of SGMII interface

Pin name	Pin no.	I/O	Description	Comment
EPHY_RST_N	119	DO	Ethernet PHY reset	1.8V /2.85V power domain.

EPHY_INT_N	120	DI	Ethernet PHY interruption	1.8V /2.85V power domain.
SGMII_MDATA	121	IO	SGMII MDIO data	1.8V/2.85V power domain.
SGMII_MCLK	122	DO	SGMII MDIO clock	
USIM2_VDD	128	PO	SGMII MDIO power supply	1.8V/2.85V power domain, require external pull-up level for SGMII SDIO Pin
SGMII_TX_M	123	AO	SGMII data transmit negative signals	Connect with a 0.1uF capacitor, close to the PHY side.
SGMII_TX_P	124	AO	SGMII data transmit positive signals	Connect with a 0.1uF capacitor, close to the PHY side.
SGMII_RX_P	125	AI	SGMII data receive positive signals	Connect with a 0.1uF capacitor, close to the PHY side.
SGMII_RX_M	126	AI	SGMII data receive negative signals	Connect with a 0.1uF capacitor, close to the PHY side.

The following figure shows the simplified block diagram for Ethernet application.

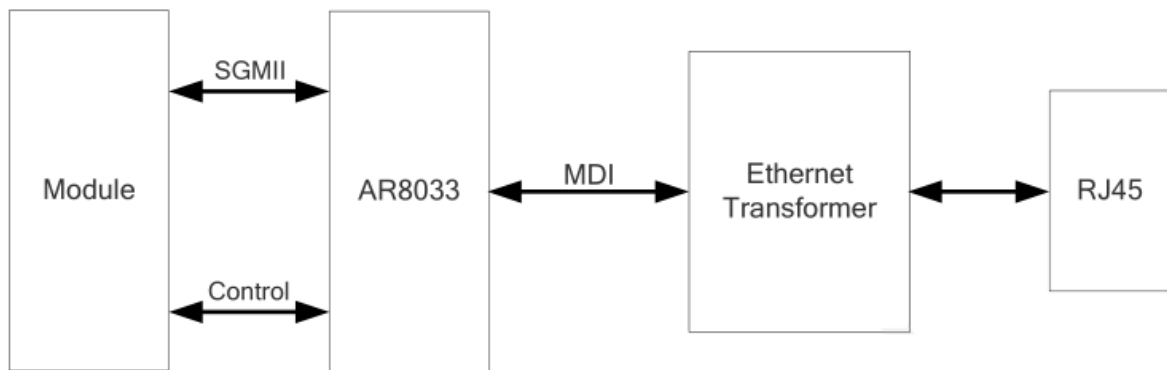


Figure 22 Simplified Block Diagram for Ethernet Application

The following figure shows a reference design of SGMII interface with PHY AR8033 application.

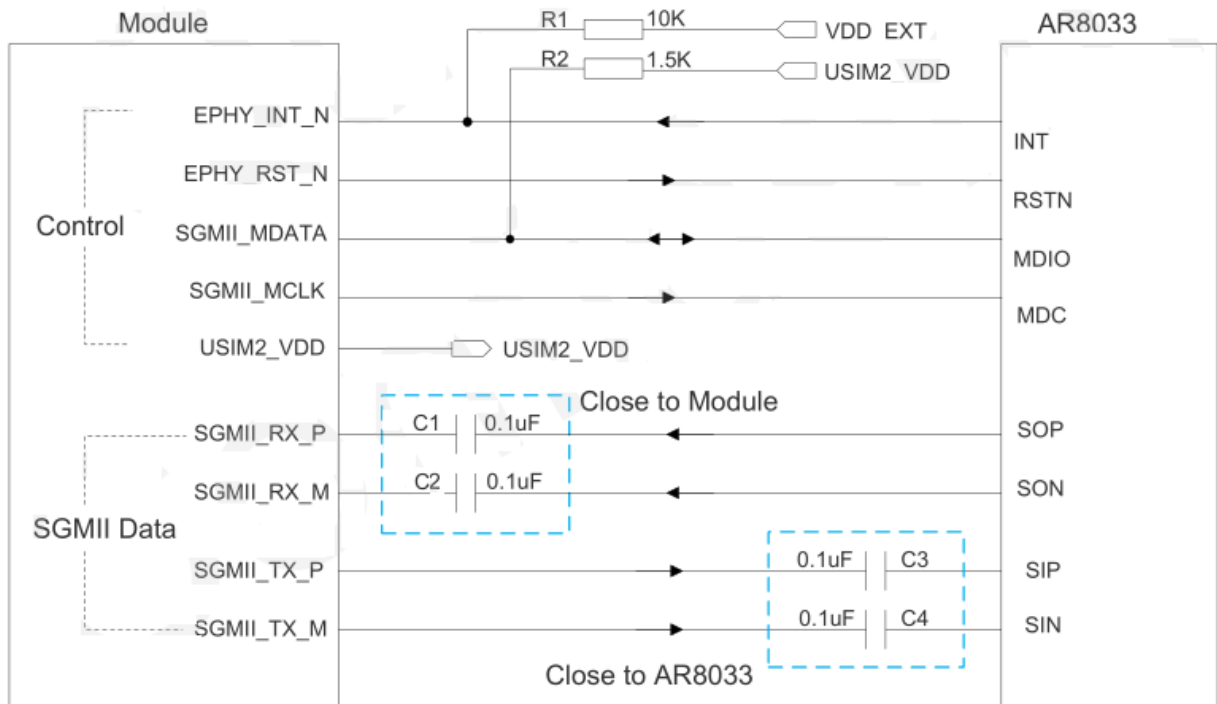


Figure 23 Reference Circuit of SGMII Interface with PHY AR8033 Application

In order to enhance the reliability and availability in your application, please follow the criteria below in the Ethernet PHY circuit design:

- Keep SGMII data and control signals away from RF and VBAT trace.
- Keep the maximum trace length less than 25.4cm and keep skew on the differential pairs less than 0.7mm.
- The differential impedance of SGMII data trace is $100\ \text{ohm} \pm 10\%$.
- SGMII RX/TX line spacing is at least 3 times width, SGMII signal distance from other signal lines is to maintain at least 3 times line width.
- SGMII RX modules already have 0.1uf capacitors and do not need to be added externally

3.17 Wireless Connectivity Interfaces

SLM750 supports a low-power SDIO 3.0 interface for WLAN and a PCM interface for BT. The following table shows the pin definition of wireless connectivity interfaces.

Table 20: Pin Definition of Wireless Connectivity Interfaces

WLAN part				
Pin name	Pin number	I/O	Description	Note
SDC1_DATA3	129	IO	WLAN SDIO signal data line 3	1.8V power domain.
SDC1_DATA2	130	IO	WLAN SDIO signal data line 2	1.8V power domain.
SDC1_DATA1	131	IO	WLAN SDIO signal data line 1	1.8V power domain.
SDC1_DATA0	132	IO	WLAN SDIO signal data line 0	1.8V power domain.
SDC1_CLK	133	DO	WLAN SDIO signal clock	1.8V power domain.
SDC1_CMD	134	IO	WLAN SDIO instruction signal	1.8V power domain.
WLAN_EN	136	DO	WLAN enables	1.8V power domain.
Coexistence and control part				
Pin name	Pin number	I/O	Description	Note
PM_ENABLE	127	DO	External 3.3V power control	1.8V power domain.
WLAN_SLP_CLK	118	DO	WLAN sleep clock	Output 32kHz clock
WAKE_ON_WIRELESS*	135	DI	WLAN wakes up the module	1.8V power domain, pending development
COEX_UART_RX	137	DI	LTE/WLAN&BT coexistence signal	1.8V power domain.
COEX_UART_TX	138	DO	LTE/WLAN&BT coexistence signal	1.8V power domain.
BT part				
Pin name	Pin number	I/O	Description	Note
BT_EN	139	DO	Bluetooth enables.	1.8V power domain. Active high level.
BT_RTS*	37	DO	Request sending data	1.8V power domain, suspend it when unused
BT_TXD*	38	DO	Bluetooth sends data	1.8V power domain.
BT_RXD*	39	DI	Bluetooth receives data	1.8V power domain.
BT_CTS*	40	DI	Bluetooth sending clearance	1.8V power domain.
PCM_IN	24	DI	PCM data input	1.8V power domain.
PCM_OUT	25		PCM data output	1.8V power domain.
PCM_CLK	27	IO	PCM clock.	1.8V power domain.
PCM_SYNC	26	IO	PCM data synchronous	1.8V power domain.

			signal.	
--	--	--	---------	--

The following figure shows a reference design of Wireless Connectivity interfaces with SLM158 module.

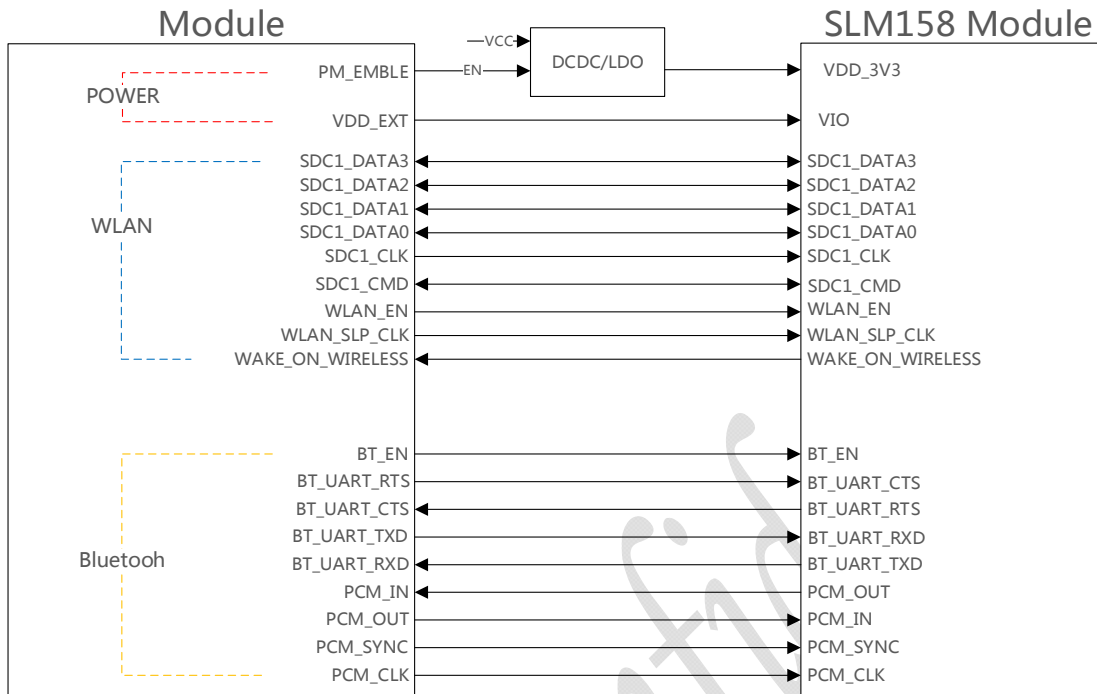


Figure 24 Reference Circuit of Wireless Connectivity Interfaces with SLM158

Note:

1. SLM158 can only be used as slave equipment.
2. When SLM750 modules enable Bluetooth, PCM_SYNC and PCM_CLK are used only for signal output.
3. The 24~27 pin is a multiplexed pin, which can be used for Codec voice or PCM connected to SLM750V to realize Bluetooth voice communication.
4. *functionality is pending for development

3.17.1 WLAN Interface

SLM750 provides a low power SDIO 3.0 interface and control interface for WLAN design. SDIO interface supports Single data rate mode, its maximum frequency is 50MHz.

As SDIO signals are very high-speed, in order to ensure the SDIO interface design corresponds with the SDIO 3.0 specification, please comply with the following principles:

- It is important to route the SDIO signal traces with total grounding. The impedance of SDIO

signal trace is 50 ohm ($\pm 10\%$).

- Protect other sensitive signals/circuits (RF, analog signals, etc.) from SDIO corruption and protect SDIO signals from noisy signals (clocks, DCDCs, etc.).
- It is recommended to keep matching length between CLK and DATA/CMD less than 1mm and total routing length less than 50mm.
- Keep termination resistors within 15~24 ohm on clock lines near the module and keep the route distance from the module clock pins to termination resistors less than 5mm.

3.17.2 BT Interface

SLM750 supports UART and PCM interface for BT application. Further information about BT interface will be added in future version of this document.

3.18 SD Card Interface

SLM750 provides a SD card interface which supports SD 3.0 protocol. The following tables show the pin definition.

Table 21: Pin Definition of the SD Card Interface

Pin name	Pin number	I/O	Description	Note
SD_CMD	33	IO	SD card SDIO bus instruction signal	SDIO signal level can be selected according to the signal level supported by SD card. Please refer to SD3.0 protocol for details. suspend it when no used
SD_CLK	32	DO	SD card SDIO bus clock signal	SDIO signal level can be selected according to the signal level supported by SD card. Please refer to SD3.0 protocol for details. suspend it when no used
SD_DATA3	28	IO	SD card SDIO signal data line 3	SDIO signal level can be selected according to the signal level supported by SD card. Please refer to SD3.0 protocol for details. suspend it when no used
SD_DATA2	29	IO	SD card SDIO signal data line 2	SDIO signal level can be selected according to the signal level supported by SD card. Please refer to SD3.0 protocol for details. suspend it when no used

SD_DATA1	30	IO	SD card SDIO signal data line 1	SDIO signal level can be selected according to the signal level supported by SD card. Please refer to SD3.0 protocol for details. suspend it when no used
SD_DATA0	130	IO	SD card SDIO signal data line 0	SDIO signal level can be selected according to the signal level supported by SD card. Please refer to SD3.0 protocol for details. suspend it when no used
VDD_SDIO	34	PO	SD card SDIO bus pulled up power supply	The output 2.85V/1.8V is configurable. Cannot be used for SD card power supply, suspend it when no used
SD_INS_DET	23	DI	SD card insert detection	1.8V power domain, suspend it when unused

The following figure shows a reference design of SD card interface.

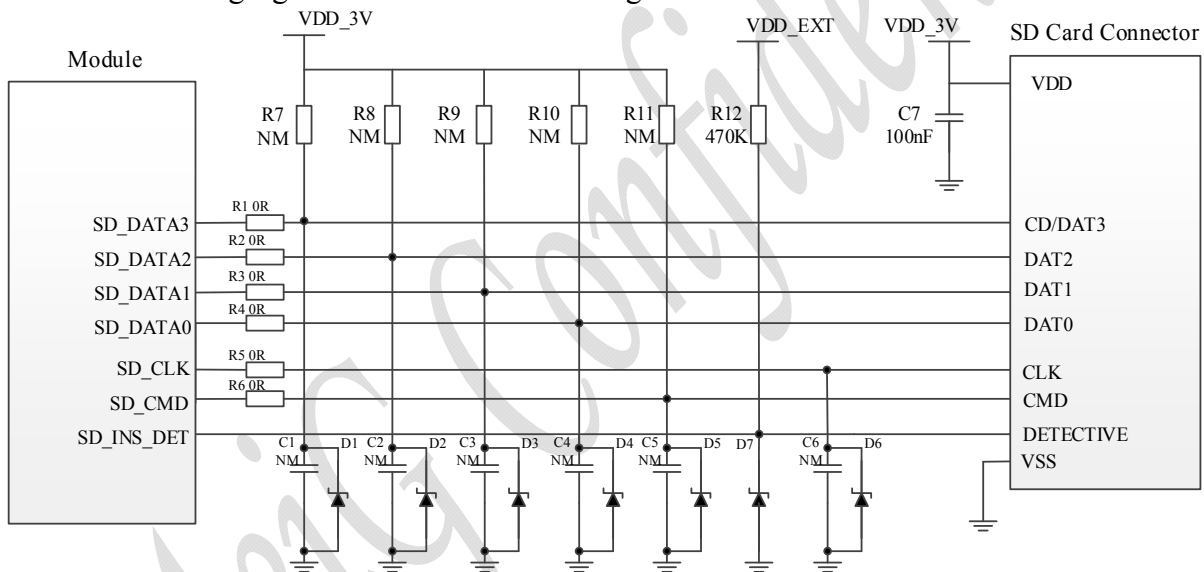


Figure 25 Reference Circuit of SD Card Application

In the circuit design of SD card interface, in order to ensure the good performance and reliability of SD card, the following principles are recommended in circuit design:

- The voltage range of SD card power supply VDD_3V is 2.7~3.6V and a sufficient current up to 0.8A should be provided. As the maximum output current of VDD_SDIO is 50mA which can only be used for SDIO pull-up resistors, an externally power supply is needed for SD card.
- To maximally limit the surge current caused by SD card insertion, the bypass capacitor (C7) of SD card power source should not exceed 5uF.
- To avoid jitter of bus, resistors R7~R11 are needed to pull up the SDIO to VDD_SDIO. Value of these resistors is among 10~100kohm and the recommended value is 100kohm.
- In order to improve signal quality, it is recommended to add 0 ohm resistors R1~R6 in series

between the module and the SD card. The bypass capacitors C1~C6 are reserved with no mounting by default. All resistors and bypass capacitors should be placed close to the module.

- In order to offer good ESD protection, it is recommended to add TVS on SD card pins.
- It is important to route the SDIO signal traces with total grounding. The impedance of SDIO data trace is 50 ohm ($\pm 10\%$).
- Keep SDIO signals far away from other sensitive circuits/signals such as RF circuits, analog signals, etc., as well as noisy signals such as clock signals, DCDC signals, etc.
- It is recommended to keep the trace length difference between CLK and DATA/CMD less than 1mm and the total routing length less than 50mm. The total trace length inside the module is 27mm, so the exterior total trace length should be less than 23mm.
- Make sure the adjacent trace spacing is two times of the trace width and the bus capacitance is less than 15pF.

3.19 USB_BOOT Interface

SLM750 supports USB_BOOT functionality. The customer can pull the USB_BOOT to VDD_EXT (1.8 V) before the module is turned on, and the module will enter mandatory download mode when boots. In this mode, the module can be upgraded through the USB interface.

Table 22: Pin Definition of USB_BOOT Interface

Pin name	Pin number	I/O	Description	Note
USB_BOOT	115	DI	Emergency download mode control, high level active	1.8V power supply domain, it is recommended to reserve test points; suspend when no used.

The following figure shows reference Circuit of USB_ROOT Interface:

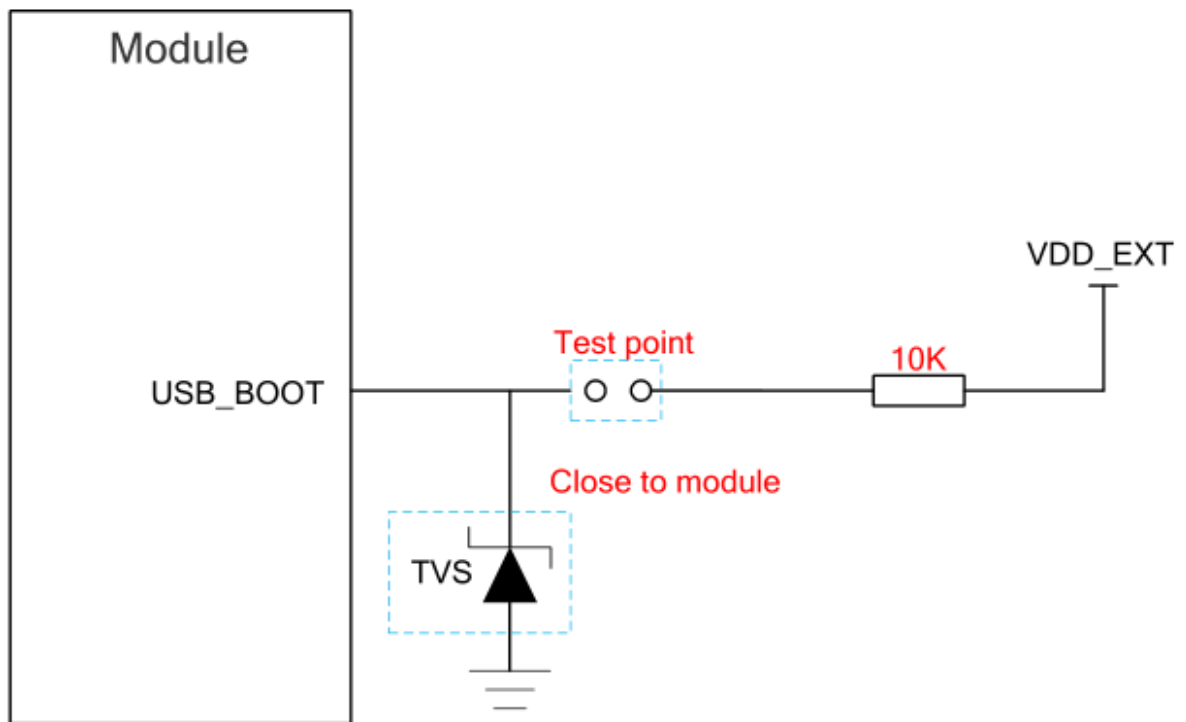


Figure 26 Circuit of USB_ROOT Interface

4 GNSS

4.1 General Description

SLM750 includes an integrated embedded GNSS solution that supports Gen8C-Lite of Qualcomm (GPS, GLONASS, BeiDou).

SLM750 supports standard NMEA-01830183 protocol, and outputs NMEA sentences with 1Hz via USB interface by default.

4.2 GNSS Performance

The following table shows SLM750 GNSS performance.

Table 23: GNSS performance

Parameter	Description	Performance index
Positioning accuracy	Horizon	<2m(50%); <5m (90%)

(open)	Altitude	<4m (50%); <8m (90%)
Speed accuracy	Speed	<0.2m/s
First positioning time TTFF	Cold start	32s
	Warm start	29s
	Hot start	2s
Sensitivity	Capturing	-154dBm
	Tracking	-156dBm
Serial output baud rate	300bit/s~230400bit/s	
GPS receiving	12 channel, GPS L1(1575.42MHz), C/A code	
Data update rate	1Hz	
Data format	NMEA 0183	

4.3 Layout Guideline

You need to follow the layout guidelines in the below when designing:

- Maximize the distance between the GNSS antenna, the main antenna and the diversity antenna.
- Noisy digital circuits such as the USIM card, USB interface, Camera module, Display connector and SD card should be kept away from the antenna.
- Use ground vias around the GNSS trace and sensitive analog signal traces to provide isolation and protection.
- Keep 50ohm characteristics impedance of the ANT_GNSS trace.

See Chapter 5 for GNSS reference design and antenna consideration.

5 Antenna Interface

Table 24: RF antenna pin definition

Pin name	Pin no.	Description	I/O	Note
ANT_MAIN	49	Main antenna	IO	50Ω impedance
ANT_DIV	35	Diversity antenna	AI	50Ω impedance
ANT_GNSS	47	GNSS antenna	AI	50Ω impedance

5.1 Antenna Interface

SLM750 provides 3 antenna pins: ANT_MAIN, ANT_DIV, ANT_GNSS. Select connection

diversity antenna to improve WCDMA/TDD-LTE/FDD-LTE receiving performance of the product.

It is recommended that you use a 50Ω impedance antenna that matches the RF connector of the module.

Special note: In order to ensure the communication ability of all frequency bands, connect both the main and the auxiliary antennas.

It is suggested that you chose RF adapter carefully on application end. It is necessary to select the smallest possible loss of the RF adapter, and the recommended RF adapters are as follows:

- GSM900/850<1.5dB
- DCS1800/PCS1900<1.5dB
- CDMA/EVDO<1dB
- WCDMA<1.5dB
- TD-SCDMA<1.5dB
- TD-LTE<1.5dB
- FDD LTE<1.5dB

5.2 RF Reference Circuit

ANT_MAIN and ANT_DIV antenna connection reference design circuit are shown as below. In order to gain better RF performance, you need to reserve n type matching circuit without mounting capacitor.

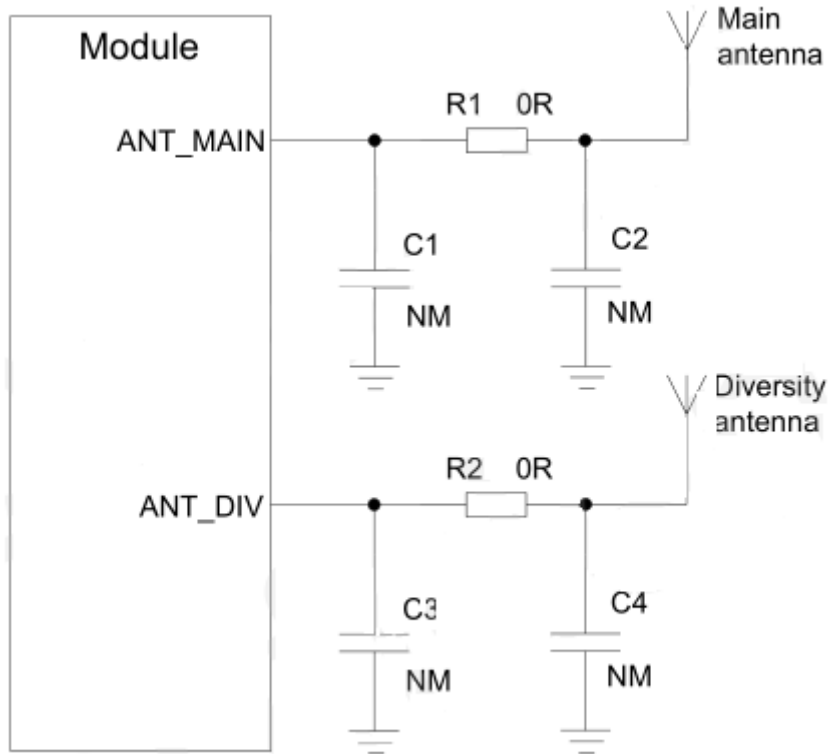


Figure 27 RF reference circuit

GNSS antenna reference design is shown as below:

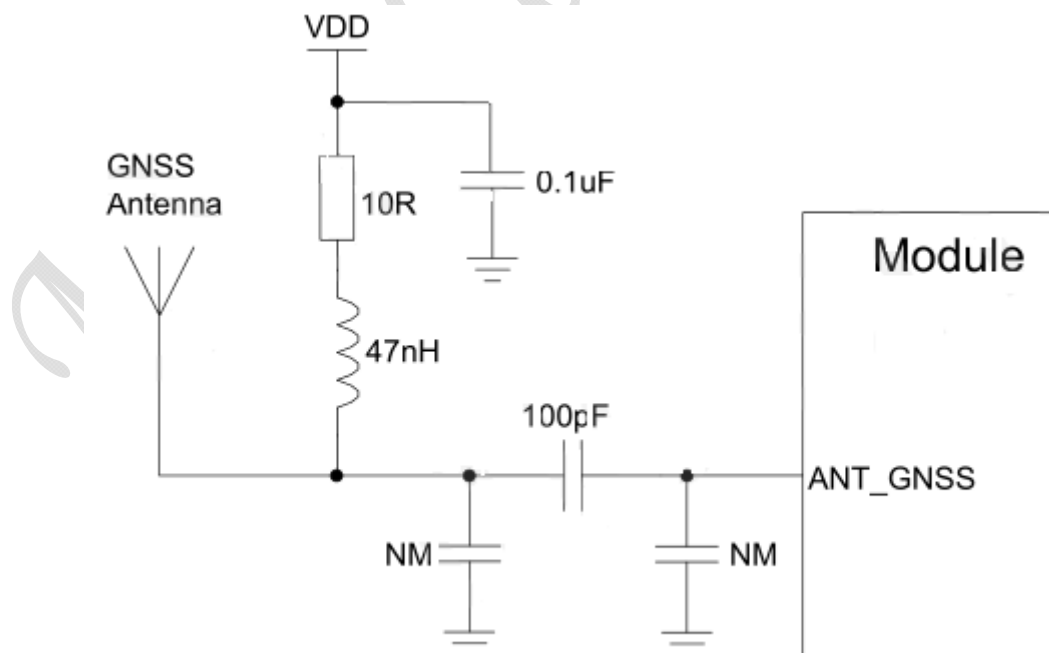


Figure 28 GNSS antenna reference circuit

Note:

1. You can choose external LDO power supply according to active antenna.
2. You can choose passive antenna design so you do not need to design VDD circuit.

5.3 Antenna Installation

5.3.1 Antenna requirements

The main antenna, diversity antenna and GNSS antenna requirements are as follows:

Table 25: Antenna requirements

Type	Requirement
GNSS	Frequency range: 1561-1615MHz
	Polarization: RHCP or linear
	VSWR: < 2(Typ.)
	Passive antenna gain: > 0 dBi
	Active antenna noise coefficient: < 1.5 dB
	Active antenna gain: < -2 dBi
	Active antenna embedded LNA gain: 18.5dB(Typical value)
	Active antenna total gain: > 18.5 dB(Typical value)
GSM/WCDMA /TD-SCDMA/CDMA /TD-LTE/FDD LTE	VSWR: < 2
	Gain(dBi): 1
	Maximum input power(W): 50
	Input impedance(ohm): 50
	Polarization type: vertical
	Cable insertion loss: < 1.5dB (GSM850/900,WCDMA B5/B8, CDMA BC0, LTE B5/ B8/B12/B13/B17/B20/B26)
	Cable insertion loss: < 1.5dB (GSM1800/1900,WCDMA B1/B2/B4, TD-SCDMA B34/B39, LTE B1/B2/B3/B4/B25/B39, CMDA BC1)
	Cable insertion loss: < 2dB (LTE B7/B38/B40/B41)

5.3.2 RF output power

RF output power of **SLM750** is shown as below:

Table 26: RF output power

Network mode	Band	Max	Min
GSM	900(GMSK)	33dBm \pm 2dB	5dBm \pm 5dB
	1800(GMSK)	30dBm \pm 2dB	0dBm \pm 5dB
	900(8-PSK)	27dBm \pm 3dB	5dBm \pm 5dB
	1800(8-PSK)	26dBm +3/-4dB	0dBm \pm 5dB
CDMA	BC0	23-30dBm	\leq -50 dBm/1.23MHz
EVDO	BC0	23-30dBm	\leq -50 dBm/1.23MHz
WCDMA	Band1	24dBm +1/-3dB	-56dBm \pm 9dB
	Band8	24dBm +1/-3dB	-56dBm \pm 9dB
TD-SCDMA	Band34	24dBm +1/-3dB	\leq -40 dBm
	Band39	24dBm +1/-3dB	\leq -40 dBm
TD-LTE	Band38	23dBm \pm 2.7 dB	\leq -40 dBm
	Band39	23dBm \pm 2.7 dB	\leq -40 dBm
	Band40	23dBm \pm 2.7 dB	\leq -40 dBm
	Band41	23dBm \pm 2.7 dB	\leq -40 dBm
FDD LTE	Band1	23dBm \pm 2.7 dB	\leq -40 dBm
	Band3	23dBm \pm 2.7 dB	\leq -40 dBm
	Band5	23dBm \pm 2.7 dB	\leq -40 dBm
	Band8	23dBm \pm 2.7 dB	\leq -40 dBm
	Band28	23dBm \pm 2.7 dB	\leq -40 dBm

5.3.3 RF receiving sensitivity

Table 27: RF receiving sensitivity

Network mode	Band	Main	Diversity
GSM	900	-109dBm	Not Supported
	1800	-108dBm	Not Supported
WCDMA	Band1	-109dBm	Not Supported
	Band5	-110dBm	Not Supported
	Band8	-110dBm	Not Supported
TD-SCDMA	Band34	-109dBm	Not Supported
	Band39	-109dBm	Not Supported
TD-LTE	Band38 (10M)	-98dBm	-98dBm
	Band39 (10M)	-98dBm	-98dBm
	Band40 (10M)	-98dBm	-98dBm
	Band41 (10M)	-96.5dBm	-97dBm
FDD LTE	Band1	-98dBm	-99dBm
	Band3	-98dBm	-98dBm
	Band5	-99dBm	-99dBm
	Band8	-99dBm	-99dBm

5.3.4 Operating frequency

Table 28: Operating frequency

Network mode	Band	Receive	Transmit
GSM	850	869~894MHz	824~849MHz
	900	925~960MHz	880~915MHz
	1800(DCS)	1805~1880MHz	1710~1785MHz
	1900(PCS)	1930~1990MHz	1850~1910MHz
WCDMA	Band1	2110~2170MHz	1920~1980MHz
	Band8	926~960MHz	880~915MHz
TD-SCDMA	Band34	2010~2025MHz	2010~2025MHz
	Band39	1880~1920MHz	1880~1920MHz
TD-LTE	Band38	2570~2620MHz	2570~2620MHz
	Band39	1880~1920MHz	1880~1920MHz
	Band40	2300~2400MHz	2300~2400MHz
	Band41	2555~2655MHz	2550~2650MHz
FDD LTE	Band1	2110~2170MHz	1920~1980MHz
	Band3	1805~1880MHz	1710~1785MHz
	Band5	869~894MHz	824~849MHz
	Band28	925~960MHz	880~915MHz
CDMA	BC0	758~803MHz	703~748MHz
EVDO	BC0	869~894MHz	824~849MHz

5.3.5 Antenna requirements

Table 29: Antenna requirements

Network Mode	Band	VSWR	Gain		Effi.	SAR	TRP (dBm)	TIS (dBm)
			Peak	Avg.				
GSM	850	<2.5: 1	>0dBi	>-4dBi	>40%	<1.6 W/Kg	29	<-102
	900						26	<-102
	1800(DCS)							<-102
	1900(PCS)							<-102
WCDMA	Band1						19	<-102
	Band8						19	<-104
CDMA	BC0						19	<-104
EVDO	BC0						19	<-104
TD-SCDMA	Band34						19	<-104
	Band39						19	<-104
TD-LTE	Band38						19	<-94

FDD LTE	Band39					19	<-94
	Band40					19	<-94
	Band41					19	<-94
	Band1					19	<-92
	Band3					19	<-93
	Band5					19	<-92
	Band8					19	<-92
	Band28					19	<-92

Table 30: Diversity antenna requirements

Mode	Band	VSWR	Gain /Avg.	Efficiency	ρ	Isolation
WCDMA	Band1	<2.5: 1	>-7dBi	>20%	<0.5	<-8dB
	Band8					
TD-LTE	Band38					
	Band39					
	Band40					
	Band41					
FDD LTE	Band1					
	Band3					
	Band5					
	Band8					
	Band28					

6 Electrical characteristics

6.1 Limit voltage range

Limit voltage range refers to the maximum voltage range of the module's power supply voltage as well as the digital and analog input/output interfaces. Operate beyond the range may cause damage to the product.

Limit voltage range of SLM750 are shown as below:

Table 31: Limit voltage range

Parameter	Description	Min	Type	Max	Unit
VBAT	SLM750V power supply	3.3	3.8	4.2	V
	Average power supply current of RMS	0		0.9	A
	VBAT_BB maximum current	0		0.8	A

	VBAT_RF maximum current	0		1.8	A
	Instantaneous voltage drop (GSM 900 Maximum transmission power level)			400	mV
USB_VBUS	USB detection	3.0	5.0	5.25	V
GPIO	Level power supply voltage of digital IO	-0.3	1.8	2.0	V
	Power supply voltage of shutdown mode	-0.25		0.25	V

6.2 Temperature range

It is recommended that you use SLM750 at $-30^{\circ}\text{C}\sim+75^{\circ}\text{C}$ and take temperature control measures when applications are in the harsh environment conditions. At the same time, a limited operating temperature range of the module should be provided. Under this temperature conditions, some of the indicators may exceed. It is suggested that you store the applications under certain temperature conditions. Modules beyond this range may not work or are damaged.

Table 32: Temperature range

Parameter	Min	Type	Max	Unit
Operation temperature	-30	+25	+75	$^{\circ}\text{C}$
Limited operation temperature	-40~-30		75~+85	$^{\circ}\text{C}$
Storage temperature	-45		+90	$^{\circ}\text{C}$

6.3 Electrical Characteristics of Interface Operation Status

VL: logical low level

VH: logical high level

Table 33: Logical level of normal digital IO signal

Signal	VL		VH		Unit
	Min	Max	Min	Max	
Digital input	-0.3	$0.3 * V_{pin_min}$	$0.3 * V_{pin_max}$	V_{pin_max}	V
Digital output	GND	0.2	$V_{pin_min} - 0.2$	V_{pin}	V

Note: $V_{pin_min}=1.45\text{V}$, $V_{pin_max}=2.0\text{V}$ (V_{pin} is high level digital interface, $V_{pin}=1.8\text{V}$)

Table 34: Electrical characteristics in power supply status

Parameter	I/O	Min	Type	Max	Unit
VBAT	I	3.3	3.8	4.2	V
USIM_VDD	O	1.7/2.75	1.8/2.85	1.9/2.95	V

6.4 Module Power Consumption Range

The following table shows the consumption of SLM750 in various modes. Contact us if you need more information about the band.

Table 35: Consumption

PARAMETER	DESCRIPTION	CONDITION	VALUE	UNIT
IVBAT	Shut Down mode	Module shutdown leakage	12	uA
	Sleep mode	AT+CFUN=0 (USB disconnected)	2.2	mA
		GSM 900 DRX=2 (USB disconnected)	2.1	mA
		GSM 900 DRX=9 (USB disconnected)	2.25	
		DCS1800 DRX=2 (USB disconnected)	2.2	mA
		DCS1800 DRX=9 (USB disconnected)	2.3	
		GSM 850 DRX=2 (USB disconnected)	2.3	mA
		GSM 850 DRX=9 (USB disconnected)	2.35	
		WCDMA Band 1 PF=128(USB disconnected)	2.2	mA
		WCDMA Band 5 PF=128(USB disconnected)	2.01	
		WCDMA Band 8 PF=128(USB disconnected)	2.06	
		WCDMA Band 1 PF=51 (USB disconnected)	2.3	mA
		WCDMA Band 5 PF=512(USB disconnected)	2.13	
WCDMA Band 8 PF=512(USB disconnected)	2.2			

		LTE-TDD Band 38 PF=128(USB disconnected)	2.3 2.1	mA
		LTE-TDD Band 39 PF=128(USB disconnected)	2.15 2.26	
		LTE-TDD Band 40 PF=128(USB disconnected)		
		LTE-TDD Band 41 PF=128(USB disconnected)		
		LTE-TDD Band 38 PF=256(USB disconnected)	2.1 2.12	mA
		LTE-TDD Band 39 PF=256(USB disconnected)	2.2 2.34	
		LTE-TDD Band 40 PF=256(USB disconnected)		
		LTE-TDD Band 41 PF=256(USB disconnected)		
		LTE-FDD Band 1 PF=128(USB disconnected)	2.02 2.1	mA
		LTE-FDD Band 3 PF=128(USB disconnected)	2.16 2.1	
		LTE-FDD Band 5 PF=128(USB disconnected)	2.2	
		LTE-FDD Band 8 PF=128(USB disconnected)		
		LTE-FDD Band 20 PF=128(USB disconnected)		
		LTE-FDD Band 1 PF=256(USB disconnected)	1.98 2	mA
		LTE-FDD Band 3 PF=256(USB disconnected)	2.13 2.25	
		LTE-FDD Band 5 PF=256(USB disconnected)	2.06	
		LTE-FDD Band 8 PF=256(USB disconnected)		
		LTE-FDD Band 20 PF=256(USB disconnected)		
	Idle mode	GSM 900 DRX=5 (USB disconnected)	19.2 32	mA
		GSM 900 DRX=5 (USB connected)		
		DCS1800 DRX=5 (USB disconnected)	20 35.2	mA
		DCS1800 DRX=5 (USB connected)		

		GSM 850 DRX=5 (USB disconnected)	19.8	
		GSM 850 DRX=5 (USB connected)	38.6	mA
		WCDMA Band 1 PF=64(USB disconnected)	19.2	
		WCDMA Band 1 PF=64(USB connected)	39.2	mA
		WCDMA Band 5 PF=64(USB disconnected)	20.2	
		WCDMA Band 5 PF=64(USB connected)	39.6	mA
		WCDMA Band 8 PF=64(USB disconnected)	18.6	
		WCDMA Band 8 PF=64(USB connected)	38.7	mA
		TD-SCDMA Band 34 PF=64(USB disconnected)	21	
		TD-SCDMA Band 34 PF=64(USB connected)	33.6	mA
		TD-SCDMA Band 39 PF=64(USB disconnected)	25	
		TD-SCDMA Band 39 PF=64(USB connected)	36.8	mA
		LTE-TDD Band 38 PF=64(USB disconnected)	20.9	
		LTE-TDD Band 38 PF=64(USB connected)	45.1	mA
		LTE-TDD Band 39 PF=64(USB disconnected)	21.3	
		LTE-TDD Band 39 PF=64(USB connected)	43.6	mA
		LTE-TDD Band 40 PF=64(USB disconnected)	23	
		LTE-TDD Band 40 PF=64(USB connected)	45.8	mA
		LTE-TDD Band 41 PF=64(USB disconnected)	20.5	
		LTE-TDD Band 41 PF=64(USB connected)	43.2	mA
		LTE-FDD Band 1 PF=64(USB disconnected)	22.8	
		LTE-FDD Band 1 PF=64(USB connected)	46.9	mA

		LTE-FDD Band 3 PF=64(USB disconnected)	28	48.5	mA
		LTE-FDD Band 3 PF=64(USB connected)			
		LTE-FDD Band 5 PF=64(USB disconnected)	27.6	49.2	mA
		LTE-FDD Band 5 PF=64(USB connected)			
		LTE-FDD Band 8 PF=64(USB disconnected)	24.9	48.6	mA
		LTE-FDD Band 8 PF=64(USB connected)			
		LTE-FDD Band 20 PF=64(USB disconnected)	22.7	49.8	mA
		LTE-FDD Band 20 PF=64(USB connected)			
	GPRS data transfer(GNSS shut down)	GSM900 4DL/1UL@30.4dBm	154.4		mA
		GSM900 3DL/2UL@30.4dBm	228.7		mA
		GSM900 2DL/3UL@30.3dBm	295.2		mA
		GSM900 1DL/4UL@30.1dBm	379.3		mA
		DCS1800 4DL/1UL@25.2dBm	269.4		mA
		DCS1800 3DL/2UL@23.7dBm	176.9		mA
		DCS1800 2DL/3UL@23.8dBm	224.1		mA
		DCS1800 1DL/4UL@23.7dBm	264.8		mA
		GSM850 4DL/1UL@30.9dBm	156.2		mA
		GSM850 3DL/2UL@30.8dBm	230		mA
		GSM850 2DL/3UL@30.8dBm	305.3		mA
		GSM850 1DL/4UL@30.7dBm	388.2		mA
	EDGE data transfer (GNSS shut down)	GSM900 4DL/1UL@27.4dBm	175.9		mA
		GSM900 3DL/2UL@27.2dBm	277.7		mA
		GSM900 2DL/3UL@27.1dBm	367.7		mA
		GSM900 1DL/4UL@26.9dBm	479.8		mA
		DCS1800 4DL/1UL@24.8dBm	151.8		mA
		DCS1800	222.1		mA

		3DL/2UL@28.8dBm			
		DCS1800 2DL/3UL@24.63dBm	295.5		mA
		DCS 1DL/4UL@23.6dBm	1800	363.2	mA
		GSM 4DL/1UL@25.7dBm	850	186.3	mA
		GSM 3DL/2UL@25.3dBm	850	282.3	mA
		GSM 2DL/3UL@25.3dBm	850	381.1	mA
		GSM 1DL/4UL@25.3dBm	850	482.7	mA
	WCDMA data transfer	WCDMA Band 1 HSDPA@23.274dBm	1	434.7	mA
		WCDMA Band 1 HSUPA@23.273dBm	1	426	mA
		WCDMA Band 5 HSDPA@23.197dBm	5	529.6	mA
		WCDMA Band 5 HSUPA@23.197dBm	5	512.9	mA
		WCDMA Band 8 HSDPA@23.374dBm	8	508.2	mA
		WCDMA Band 8 HSUPA@23.374dBm	8	495	mA
	LTE data transfer	FDD- LTE Band 1 10M@22.20dBm	1	497.2	mA
		FDD- LTE Band 3 10M@22.30dBm	3	600.3	mA
		FDD- LTE Band 5 10M@23.00dBm	5	585.8	mA
		FDD- LTE Band 8 10M@23.10dBm	8	590.6	mA
		FDD- LTE Band 20 10M@22.90dBm	20	600.3	mA
		TDD- LTE Band 38 10M@23.10dBm	38	412.5	mA
		TDD- LTE Band 39 10M@23.10dBm	39	394.8	mA
		TDD- LTE Band 40 10M@23.30dBm	40	376.8	mA
		TDD- LTE Band 41 10M@23.10dBm	41	392	mA

	GSM voice call	GSM900 PCL=5 @32.21dBm	237.1	mA
		DCS1800 PCL=0 @28.14dBm	200.7	mA
		GSM850 PCL=5 @32.12dBm	243.9	mA
	CDMA voice call	BC0 @20.31dBm	556	mA
	WCDMA voice call	WCDMA Band 1@23.1dBm	461.8	mA
		WCDMA Band 5@22.0dBm	574.3	mA
WCDMA Band 8@22.8dBm		559	mA	

6.5 Environmental Reliability Requirements

Table 36: Environmental reliability requirements

Test item	Test condition						
Low temperature storage test	-45°C, last for 24 hours in shutdown mode						
High temperature storage test	+90°C, last for 24 hours in shutdown mode						
Temperature impact test	In shutdown mode, last for 1 hour in -45°C and +90°C. Temperature conversion time is <3min, total 24 cycles.						
High temperature high humidity test	+85°C,95%RH,last for 48 hours in shutdown mode						
Low temperature operation test	-30°C,last for 24 hours in operation mode						
High temperature operation test	+75°C,last for 24 hours in operation mode						
Vibration test	Perform vibration tests as required in the following table: <table border="1" style="width: 100%; border-collapse: collapse;"> <thead> <tr> <th>Frequency</th> <th>Random vibration ASD(Acceleration spectral density)</th> </tr> </thead> <tbody> <tr> <td>5~20Hz</td> <td>0.96m²/s³</td> </tr> <tr> <td>20~500Hz</td> <td>0.96m²/s³(20Hz),other frequency range -3dB/times</td> </tr> </tbody> </table>	Frequency	Random vibration ASD(Acceleration spectral density)	5~20Hz	0.96m ² /s ³	20~500Hz	0.96m ² /s ³ (20Hz),other frequency range -3dB/times
Frequency	Random vibration ASD(Acceleration spectral density)						
5~20Hz	0.96m ² /s ³						
20~500Hz	0.96m ² /s ³ (20Hz),other frequency range -3dB/times						
Connector life test	Board to board connector interface plugging 50 times; RF antenna interface cable plugging 30 times						
ESD test	1、 The module tests the power PAD and the large area in the call state, ESD meets: <ol style="list-style-type: none"> 1) Contact discharge shall pass ±4KV、 ±5KV test grade 2) Air discharge shall pass ±8KV、 ±10KV test grade 2、 the module tests SIM card connector of EVB in shutdown mode, ESD meets:						

	1) Contact discharge shall pass $\pm 4\text{KV}$ test grade 2) Air discharge shall pass $\pm 8\text{KV}$ test grade 3、 the module tests other interfaces, ESD meets: 1) Air discharge shall pass $\pm 0.5\text{KV}$ test grade 2) Air discharge shall pass $\pm 1\text{KV}$ test grade
--	--

6.6 ESD Characteristics

SLM750 is a consumer terminal product. Although we have considered possible problems of ESD and took some protections, considering problems in the transport and secondary development, we need to consider the protection of final product ESD, including the anti electrostatic packaging processing. You can refer to the recommended circuit of interface design in the document when using in applications.

The following table shows the discharge range of SLM750 ESD:

Table 37: ESD performance parameters (Temperature: 25°C, Humidity: 45%)

Test point	Contact discharge	Air discharge	Unit
VBAT, GND	± 5	± 10	KV
Antenna interfaces	± 4	± 8	KV
Other interfaces	± 0.5	± 1	KV

7 Mechanical Dimensions

7.1 Mechanical Dimensions of the Module

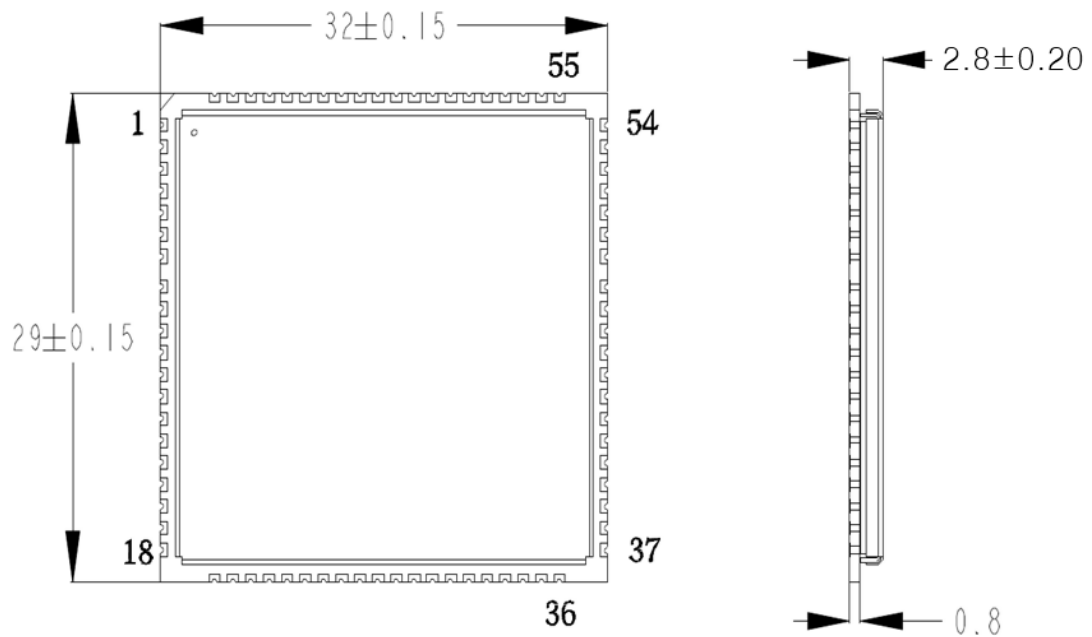


Figure 29 Module top and side dimension (unit: mm)

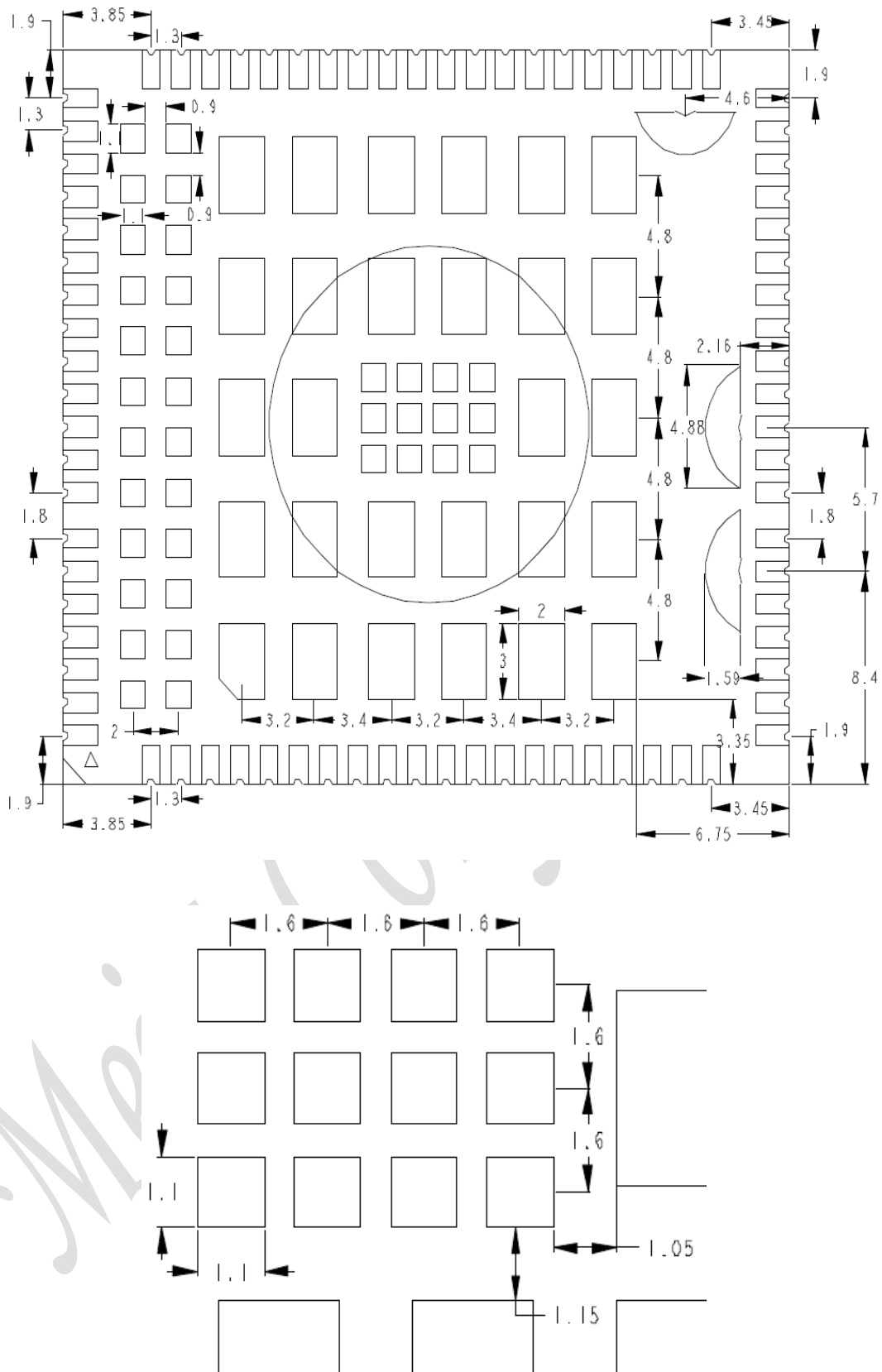


Figure 30 Module bottom dimensions (unit: mm)

7.3 Top View of the Module



Figure 32 Top view of the module

7.4 Bottom View of the Module

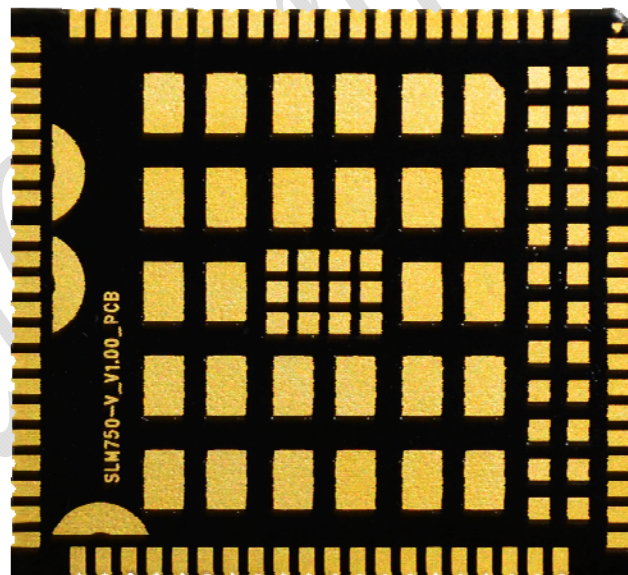


Figure 33 Bottom view of the module

8 Storage and Manufacturing

8.1 Storage

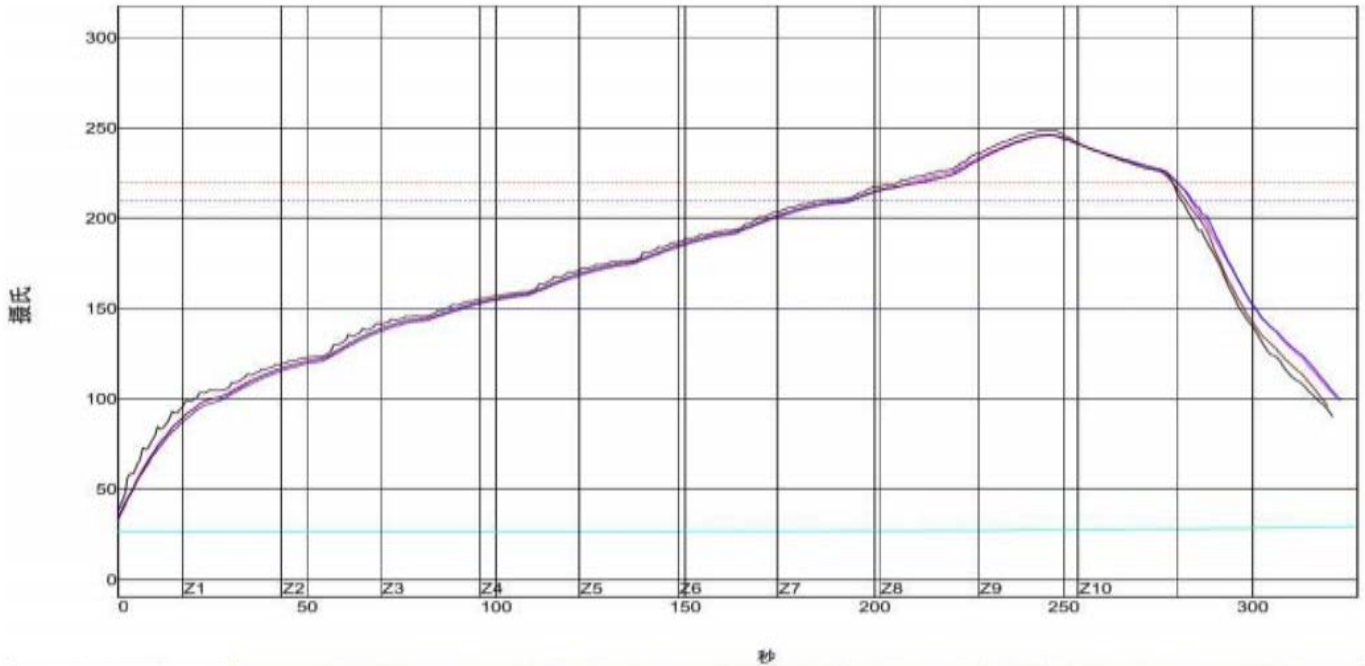
SLM750 is stored in sealed vacuum bag. The restrictions of storage condition are shown as below:

1. Shelf life in sealed bag is 12 months at $<40^{\circ}\text{C}/90\%\text{RH}$.
2. After this bag is open, devices that will be subjected to reflow soldering or other high temperature processes must be:
 - Stored at $<10\%\text{RH}$.
 - Mounted within 72 hours at factory conditions of $\leq 30^{\circ}\text{C}/60\%\text{RH}$.
3. Devices require baking before mounting, if:
 - Humidity indicator card is $>10\%$ when ambient temperature is $23^{\circ}\text{C}\pm 5^{\circ}\text{C}$.
 - Mounting cannot be finished within 72 hours at factory conditions of $\leq 30^{\circ}\text{C}/60\%\text{RH}$.
 - Stored at $>10\%\text{RH}$.
4. If baking is required, devices may be baked for 48 hours at $125^{\circ}\text{C}\pm 5^{\circ}\text{C}$.

Note: As plastic packaging cannot stand the high temperatures, the package must be removed from devices before baking.

8.2 Manufacturing and Welding

Setpoints (摄氏)										
温区	1	2	3	4	5	6	7	8	9	10
上温区	100	120	140	160	180	200	215	230	260	220
下温区	100	120	140	160	180	200	215	230	255	220
Conveyor Speed (公分/分): 85.00										



PWI= 80%	最高上升斜率	最高下降斜率	恒温时间 150至210C	回流时间 /220C	最高温度					
2	2.62	62%	-3.23	18%	103.87	-8%	70.54	-16%	246.56	31%
3	2.55	55%	-3.22	19%	103.42	-11%	67.24	-42%	245.83	17%
5	2.65	65%	-3.73	-15%	100.02	-33%	72.24	-2%	249.01	80%
6	2.56	56%	-3.50	0%	103.49	-10%	67.06	-43%	246.36	27%
温差	0.10		0.51		3.85		5.18		3.18	

制程界限:

锡膏: M705-GRN360			
统计数名称	最低界限	最高界限	单位
最高温度上升斜率 (目标=2.0) (计算斜率的时间距离= 25 秒)	1	3	度/秒
最高温度下降斜率 (计算斜率的时间距离= 25 秒)	-5	-2	度/秒
恒温时间150-210摄氏度	90	120	秒
回流以上时间 - 220摄氏度	60	85	秒
最高温度	240	250	度 摄氏

Figure 34 Reflow soldering temperature profile

8.3 Packing

SLM750 uses pallet packaging. Specifications are as follows:



Figure 35 Pallet packaging(Unit: mm)

MeiG Confidential

9 Appendix A References

9.1 Related Documents

- SLM750 specifications;
- SLM750 AT command set;
- SLM750 EVB user manual;
- SLM750 reference design circuit;
- SLM750 application service process manual.

9.2 Terms and Abbreviations

Table 38: Terms and abbreviations

Abbreviations	Descriptions
AMR	Adaptive Multi-rate
BER	Bit Error Rate
BTS	Base Transceiver Station
PCI	Peripheral Component Interconnect
CS	Circuit Switched (CS) domain
CSD	Circuit Switched Data
DCE	Data communication equipment
DTE	Data terminal equipment
DTR	Data Terminal Ready
EDGE	Enhanced Data rates for GSM Evolution
EFR	Enhanced Full Rate
EGSM	Enhanced GSM
EMC	Electromagnetic Compatibility
ESD	Electrostatic Discharge
FR	Frame Relay
GMSK	Gaussian Minimum Shift Keying
GPIO	General Purpose Input Output
GPRS	General Packet Radio Service
GSM	Global Standard for Mobile Communications
HR	Half Rate
HSDPA	High Speed Downlink Packet Access
HSUPA	High Speed Uplink Packet Access
HSPA	HSPA High-Speed Packet Access
HSPA+	HSPA High-Speed Packet Access+

IEC	International Electro-technical Commission
IMEI	International Mobile Equipment Identity
MEID	Mobile Equipment Identifier
I/O	Input/Output
ISO	International Standards Organization
ITU	International Telecommunications Union
bps	bits per second
LED	Light Emitting Diode
M2M	Machine to machine
MO	Mobile Originated
MT	Mobile Terminated
NTC	Negative Temperature Coefficient
PC	Personal Computer
PCB	Printed Circuit Board
PCS	Personal Cellular System
PCM	Pulse Code Modulation
PCS	Personal Communication System
PDU	Packet Data Unit
PPP	Point-to-point protocol
PS	Packet Switched
QPSK	Quadrature Phase Shift Keying
SIM	Subscriber Identity Module
TCP/IP	Transmission Control Protocol/ Internet Protocol
UART	Universal asynchronous receiver-transmitter
USIM	Universal Subscriber Identity Module
UMTS	Universal Mobile Telecommunications System
USB	Universal Serial Bus
WCDMA	Wideband Code Division Multiple Access
TD-SCDMA	Time Division-Synchronous Code Division Multiple Access
TD-LTE	Time Division Long Term Evolution
FDD LTE	Frequency Division Duplexing Long Term Evolution
V _{max}	Maximum Voltage Value
V _{norm}	Normal Voltage Value
V _{min}	Minimum Voltage Value
V _{IHmax}	Maximum Input High Level Voltage Value
V _{IHmin}	Minimum Input High Level Voltage Value
V _{ILmax}	Maximum Input Low Level Voltage Value
V _{ILmin}	Minimum Input Low Level Voltage Value
V _{OHmax}	Maximum Output High Level Voltage Value
V _{OHmin}	Minimum Output High Level Voltage Value
V _{OLmax}	Maximum Output Low Level Voltage Value
V _{OLmin}	Minimum Output Low Level Voltage Value

10 Appendix B GPRS Coding Scheme

Table 39: Description of coding schemes

Mode	CS-1	CS-2	CS-3	CS-4
Coding speed	1/2	2/3	3/4	1
USF	3	3	3	3
Pre-coded USF	3	6	6	12
Radio Block excl.USF and BCS	181	268	312	428
BCS	40	16	16	16
Tail	4	4	4	-
Coded Bits	456	588	676	456
Punctured Bits	0	132	220	-
Data rate Kb/s	9.05	13.4	15.6	21.4

EU DECLARATION OF CONFORMITY



Hereby, MeiG Smart Technology Co., Ltd declares that the radio equipment type SLM750 is in compliance with Directive 2014/53/EU.

The most recent and valid version of the DoC (Declaration of Conformity) can be viewed at www.meigsmart.com/en/product-certification.

FCC Certification Requirements.

According to the definition of mobile and fixed device is described in Part 2.1091(b), this device is a mobile device.

And the following conditions must be met:

1. This Modular Approval is limited to OEM installation for mobile and fixed applications only. The antenna installation and operating configurations of this transmitter, including any applicable source-based time- averaging duty factor, antenna gain and cable loss must satisfy MPE categorical Exclusion Requirements of 2.1091.
2. The EUT is a mobile device; maintain at least a 20 cm separation between the EUT and the user's body and must not transmit simultaneously with any other antenna or transmitter.

3. A label with the following statements must be attached to the host end product: This device contains FCC ID: 2APJ4-SLM750VA.

4. To comply with FCC regulations limiting both maximum RF output power and human exposure to RF radiation, maximum antenna gain (including cable loss) must not exceed:

- GSM850 : ≤ 9.438 dBi
- GSM1900 : ≤ 10.010 dBi
- WCDMAII: ≤ 8.500 dBi
- WCDMAIV: ≤ 5.500 dBi
- WCDMAV: ≤ 9.908 dBi
- LTE Band2/7/25/41: ≤ 8.500 dBi
- LTE Band4/66: ≤ 5.500 dBi
- LTE Band5: ≤ 9.908 dBi
- LTE Band7: ≤ 5.000 dBi
- LTE Band12: ≤ 9.197 dBi
- LTE Band13: ≤ 9.656 dBi
- LTE Band17: ≤ 9.224 dBi
- LTE Band26: ≤ 9.861 dBi

5. This module must not transmit simultaneously with any other antenna or transmitter

6. The host end product must include a user manual that clearly defines operating requirements and conditions that must be observed to ensure compliance with current FCC RF exposure guidelines.

For portable devices, in addition to the conditions 3 through 6 described above, a separate approval is required to satisfy the SAR requirements of FCC Part 2.1093

If the device is used for other equipment that separate approval is required for all other operating configurations, including portable configurations with respect to 2.1093 and different antenna configurations.

For this device, OEM integrators must be provided with labeling instructions of finished products. Please refer to KDB784748 D01 v07, section 8. Page 6/7 last two paragraphs:

A certified modular has the option to use a permanently affixed label, or an electronic label. For a permanently affixed label, the module must be labeled with an FCC ID - Section 2.926 (see 2.2 Certification (labeling

requirements) above). The OEM manual must provide clear instructions explaining to the OEM the labeling requirements, options and OEM user manual instructions that are required (see next paragraph).

For a host using a certified modular with a standard fixed label, if (1) the module's FCC ID is not visible when installed in the host, or (2) if the host is marketed so that end users do not have straightforward commonly used methods for access to remove the module so that the FCC ID of the module is visible; then an additional permanent label referring to the enclosed module: "Contains Transmitter Module FCC ID: 2APJ4-SLM750VA" or "Contains FCC ID: 2APJ4-SLM750VA" must be used. The host OEM user manual must also contain clear instructions on how end users can find and/or access the module and the FCC ID.

The final host / module combination may also need to be evaluated against the FCC Part 15B criteria for unintentional radiators in order to be properly authorized for operation as a Part 15 digital device.

The user's manual or instruction manual for an intentional or unintentional radiator shall caution the user that changes or modifications not expressly approved by the party responsible for compliance could void the user's authority to operate the equipment. In cases where the manual is provided only in a form other than paper, such as on a computer disk or over the Internet, the information required by this section may be included in the manual in that alternative form, provided the user can reasonably be expected to have the capability to access information in that form.

This device complies with part 15 of the FCC Rules. Operation is subject to the following two conditions: (1) This device may not cause harmful interference, and (2) this device must accept any interference received, including interference that may cause undesired operation.

Changes or modifications not expressly approved by the manufacturer could void the user's authority to operate the equipment.