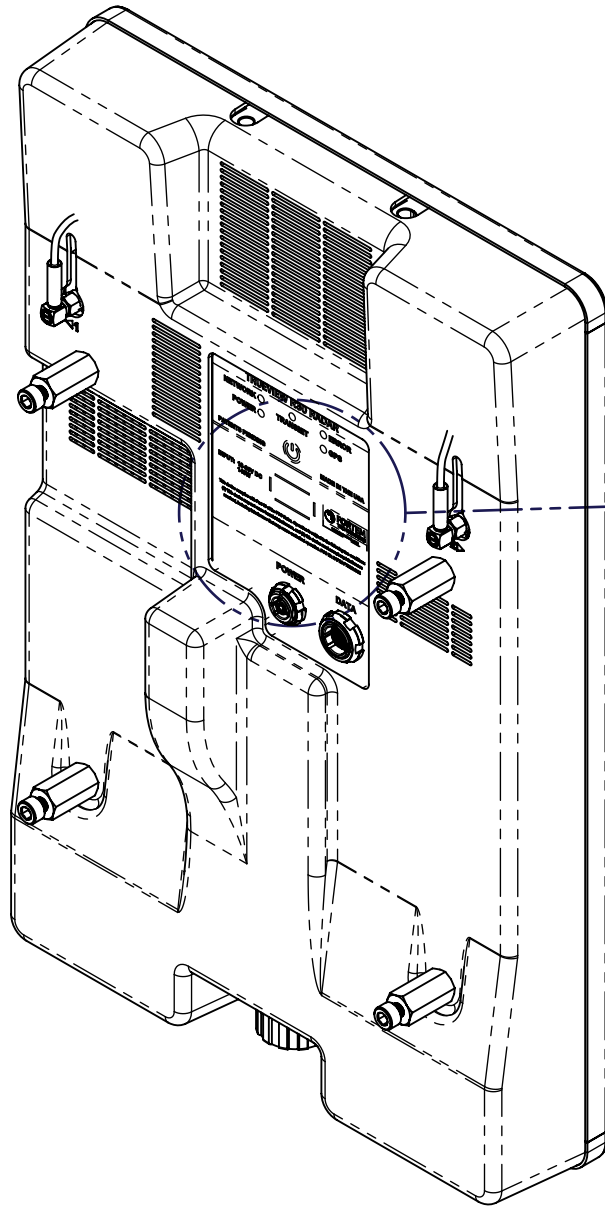


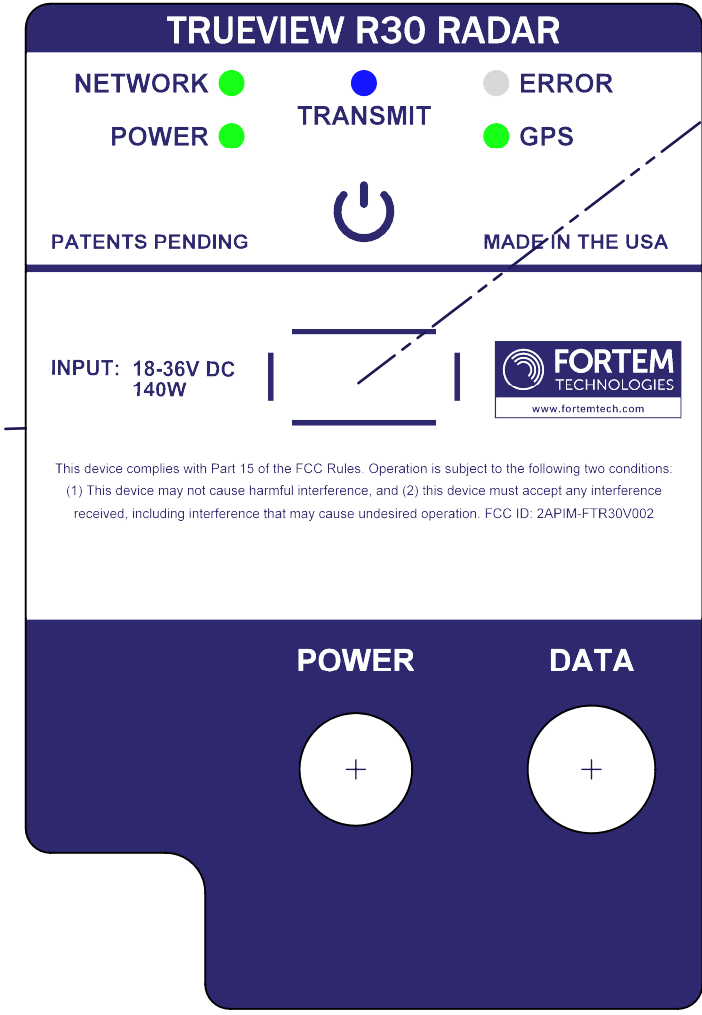
ZONE	REV.	DESCRIPTION	DATE	APPROVED
	A	INITIAL DESIGN	-	-
	B0	ECR-544: UPDATED FCC ID ON 200-0042	09/09/21	J. DAVIS



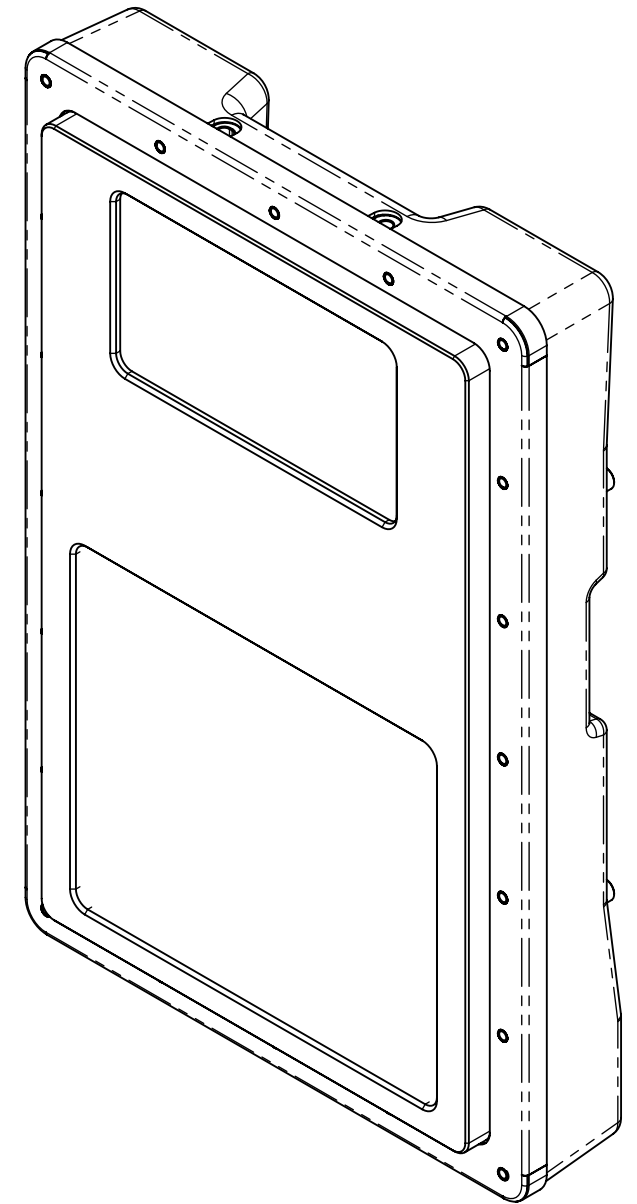
FORTEM PART NUMBER 410-0047
SCALE 1:1



BACK VIEW



FORTEM PART NUMBER 200-0042
SCALE 1:1



FRONT VIEW

THIS DOCUMENT MAY CONTAIN TECHNICAL DATA AS DEFINED IN THE INTERNATIONAL TRAFFIC IN ARMS REGULATIONS (ITAR) 22 CFR 120.10 OR THE EXPORT ADMINISTRATION REGULATIONS (EAR) 15 CFR PARTS 730 - 780. EXPORT OF THIS MATERIAL MAY BE CONTROLLED BY THESE REGULATIONS AND MAY NOT BE EXPORTED OR TRANSFERRED TO FOREIGN PERSONS WITHOUT PRIOR WRITTEN APPROVAL FROM THE U.S. GOVERNMENT.

UNLESS SPECIFIED DIMENSIONS AND TOLERANCE ARE mm [in] .X ±0.30mm [0.012in] .XX ±0.13mm [0.005in] ANGLES ±1° RoHS ALL MATERIALS CONTAINED WITHIN THIS DRAWING MUST BE COMPLIANT TO CURRENT RoHS STANDARDS THIRD ANGLE PROJECTION	DESIGNED	J. KNABENSCHUH	11/07/2019
	DRAWN	J. KNABENSCHUH	11/07/2019
	APPROVED	-	-
	MATERIAL	N/A	
	FINISH	N/A	

FORTEM TECHNOLOGIES 1064 S. North County Blvd, 6th Floor
Pleasant Grove, UT 84062
United States

TITLE: FCC/SERIAL LABEL PLACEMENT			
SIZE B	SCALE 1:3	DRAWING NO. 200-0028	REV B0
WEIGHT:		SURFACE AREA:	
		SHEET 1 OF 1	

PROPRIETARY AND CONFIDENTIAL
INFORMATION CONTAINED IN THIS DOCUMENT IS CONFIDENTIAL AND THE EXCLUSIVE PROPERTY OF FORTEM TECHNOLOGIES. DELIVERY OR REPRODUCTION OF SUCH INFORMATION TO UNAUTHORIZED PERSONS IS FORBIDDEN.