

### Request for Class II Permissive Change

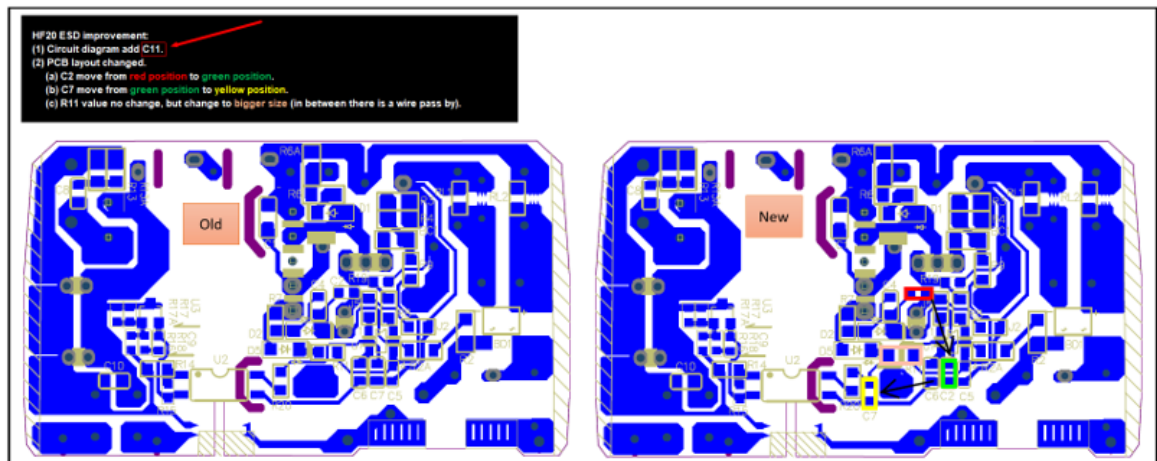
FCC ID: 2APFC-HF367XA

Data: March 1<sup>st</sup>, 2022

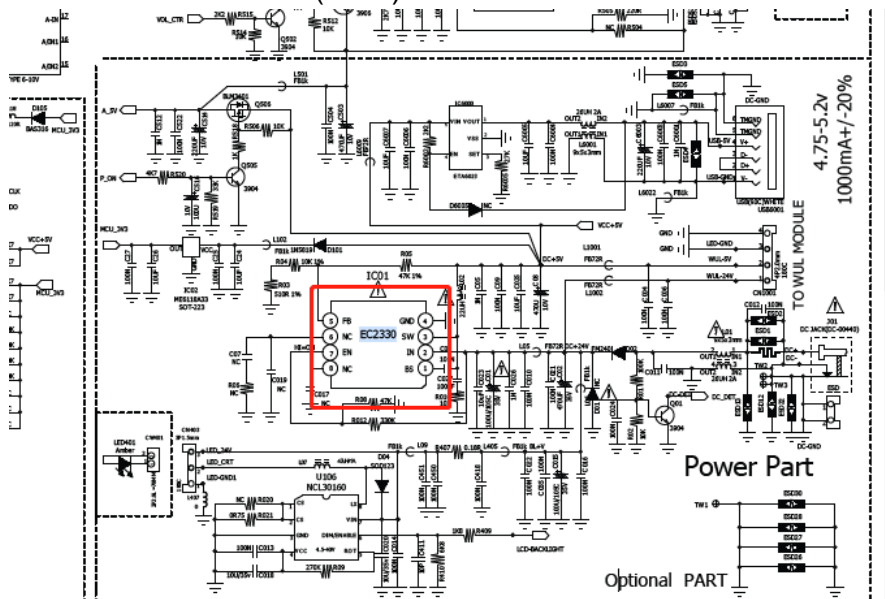
TO: Federal Communication Commission

Please be notified that we, the undersigned, **Philips Consumer Lifestyle B.V.** declare that the reasons for this Class II permissive change are as below:

1. PCB of power supply HF20 was updated.



2. an alternative DC-DC (IC01) EC2330 was added.



3. The declared antenna gain of antenna was changed to Max 3.3 dBi, and the antenna physically has no changed.

Thank you.  
Sincerely,

Robert Vermanen  
Integral Project Quality Engineer  
Philips Consumer Lifestyle B.V.  
tel: +31 6 11 03 00 10  
e-mail: [robert.vermanen@philips.com](mailto:robert.vermanen@philips.com)