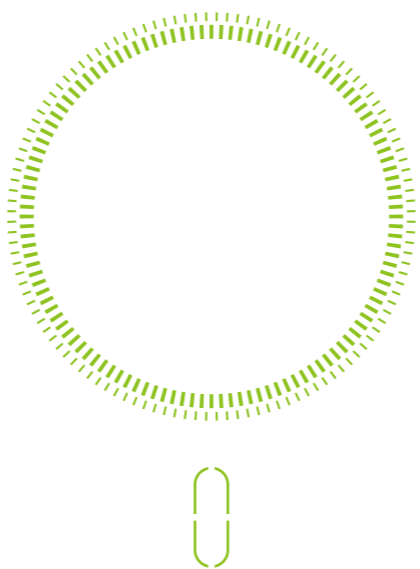
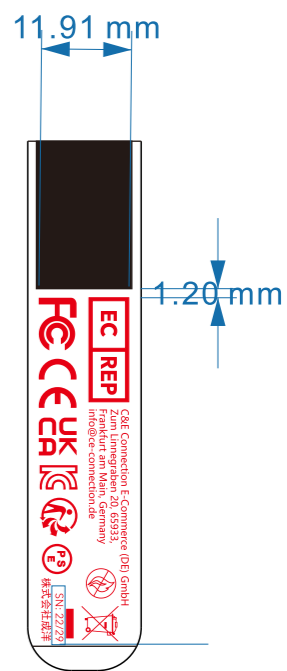
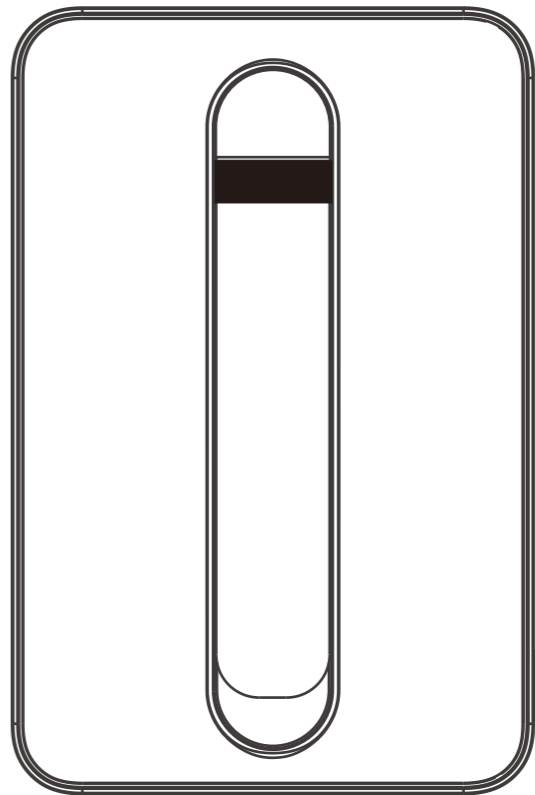
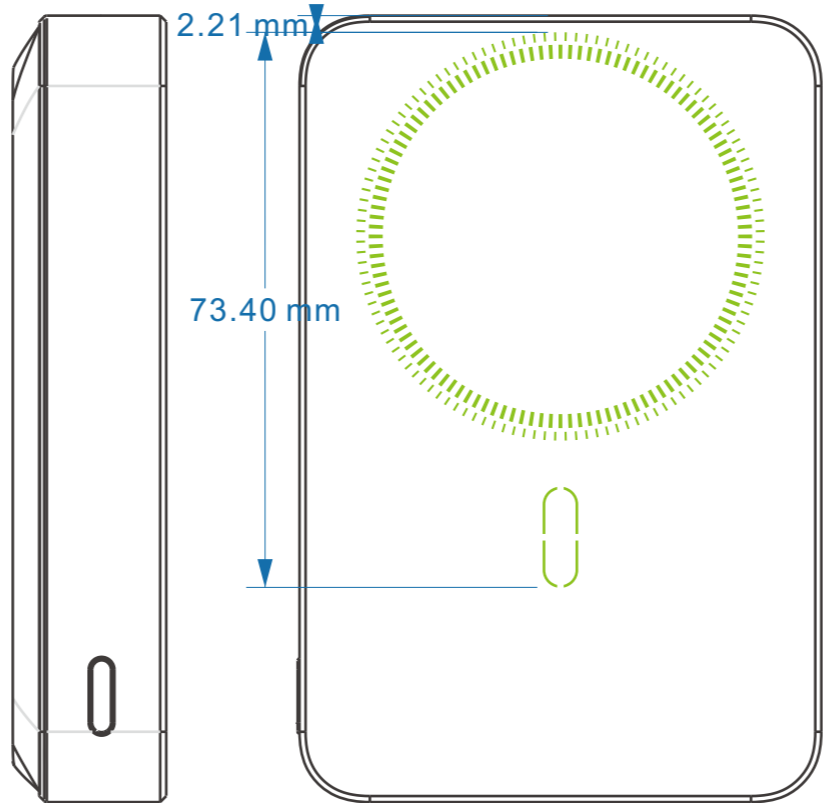
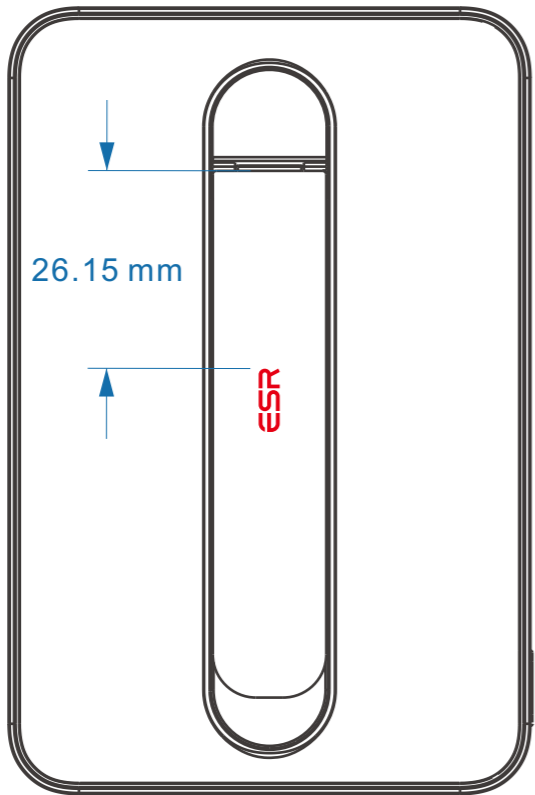
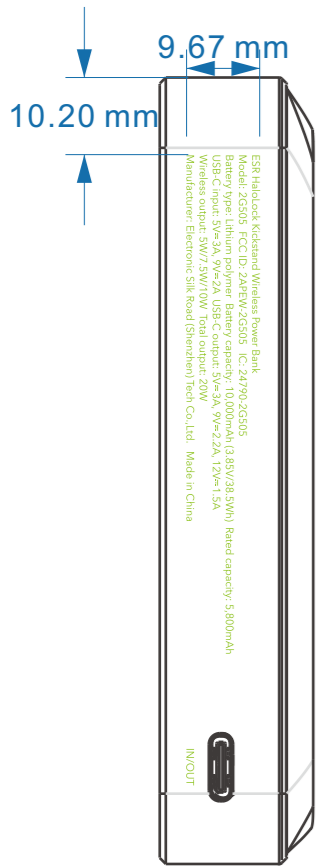


ESR HaloLock Wireless Power Bank
 Model: Z6581 (China) / Z6582 (USA) / Z6583 (UK)
 Battery Capacity: 10,000mAh (3.85V/3.8 SWi) Rated capacity: 5,800mAh
 USB-C input: 5V=3A, 9V=2A, USB-C output: 5V=3A, 9V=2A, 12V=1.5A
 Wireless output: 5W/7.5W/10W Total output: 20W
 Manufacturer: Electronic Silk Road (Shenzhen) Tech Co., Ltd. Made in China

IN/OUT



ESR

ESR Hublock Kickstand Wireless Power Bank
 Model: ZS5018, Color: Black, Capacity: 5000mAh, Input: 5V/2A, Output: 5V/2A, 9V/2A, 12V/1.5A
 USB-C input: 5V/3A, 9V/2A, USB-C output: 5V/3A, 9V/2A, 12V/1.5A
 Wireless output: 5W/7.5W/10W, Total output: 20W
 Manufacturer: Electronic Silk Road (Shenzhen) Tech Co., Ltd. Made in China

IN/OUT