

# 承认书

## SPECIFICATION FOR APPROVAL

客户名称 (CUSTOMER) 深圳市惠尔无线技术有限公司

客户料号 (CUSTOMER P/N):

品名 (DESCRIPTION): DATE: 2023-5-29

规格 (SPECIFICATION): G43.5开槽+背胶15mm G43.5 REV.NO.:A0

### 鸿日昇威科技承认签核、盖章

部门 Department	确认Confirm/日期 Date	审核Audit/日期 Date	批准Approval/日期 Date	(盖公司公 章)Stamp
品质QC	董晚红 2023-5-29	吕惠 2023-5-29	韦函满 2023-5-29	
工程 Engineer	何伟华 2023-5-29	韦立红 2023-5-29	韦立红 2023-5-29	

备注Remark:

### 惠尔无线 承认 签核、盖章

部门 Department	确认Confirm/日期 Date	审核Audit/日期 Date	批准Approval/日期 Date	(盖公司公 章)Stamp
开发工程师 Engineer	朱金路 2023-5-29	李亚飞 2023-5-29		
采购 Purchaser				
品质QC				

备注Remark:

深圳市鸿日昇威科技有限公司

HRSW ELECTRONICS CO.,LTD

ADD: 深圳市龙华新区观澜环观中路48号1栋2楼

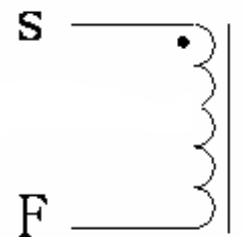
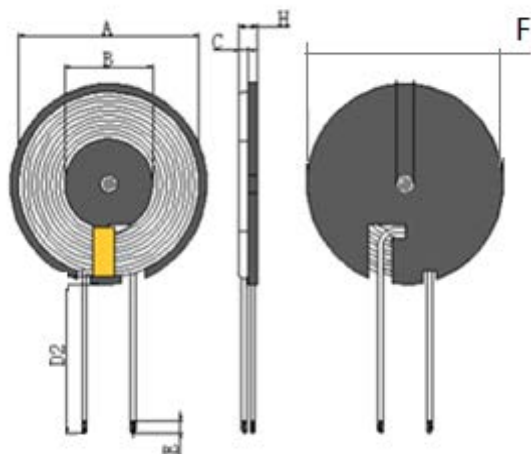
TEL: +86-755-23461055 FAX: +86-0755-28015170

page:1/3

# SPECIFICATION FOR APPROVAL

## 1. MECHANICAL DIMENSION (UNIT:mm)

## 2. SCHEMATICS:



1. 线圈贴磁片，磁片尺寸  
43.5±1mm，厚度为0.8±0.05mm  
开L线槽。
2. 线圈出线位置  
缠胶纸 1-2Ts；
3. 隔磁片底部要贴背胶

A	B	C	D2	E	H	F			
39±2.0	16±0.5	0.8±0.05	15±3	3±1.5	2.2MAX	43.5±1			

## 3. WINDING:

STEP	START-FINISH	WIRE TYPE	TURNS	TAPE	REMARK
N1	S-F	热风线 0.08*24mm *2P 2UEW	10TS (Ref)		

## 4. ELECTRICAL SPECIFICATION:

ITEM	L	DCR	Q值 Q Value	HI-POT
TEST	磁片coil+magnetic	S-F		
CON	100KHz, 0.25V	AT 25°C		
SPEC	6.8uH±10%	100mΩ Max		

## 5. BILF OF MATERIAL:

NO.	ITEM	MATERIAL SPECIFICATION	MANUFACTURER	SGS NO.
1	热风线wire	热风线0.08*24股 0.08*24mm wire	NANJINGJINNINGCO,LTD	
2	无铅锡条lead-free solder bar	无铅锡条 lead-free solder bar	QIAODO	
3	磁片magnetic film	ø43.5*0.8锰锌硬磁片开L槽 ø43.5*0.8 MZ magnetic film with L groove	TAIYI CO.,LTD	
4	胶水glue	9999	LIANCHENG CO.,LTD	
5	高温胶纸tape	8mm宽高温胶纸 8mm width tape	CUDAK CO.,LTD	
6	背胶gum	41.5*0.1	CUDAK CO.,LTD	

HRSW ELECTRONICS CO.,LTD	PART NO	
	TITLE	G43.5开槽+背胶15mm
DRAWN BY	CHECKED BY	APPROVED BY
何伟华	韦立红	韦立红

# SPECIFICATION FOR APPROVAL

6. SAMPLE TEST DATA									
6.1 DIMENSION TEST (UNIT: mm)									
TEST ITEM	A	B	C	D	E	H	F		
SPEC	39±1.0	20.5±0.5	0.8±0.05	15±3	3±1.5	2.2MAX	43.5±1.0		
1	38.5	20.51	0.81	15	3.50	1.75	43.52		
2	38.6	20.53	0.8	14.9	3.60	1.70	43.6		
3	39.2	20.51	0.83	15.02	3.70	1.78	43.48		
4	38.9	20.49	0.82	14.6	3.80	1.79	43.46		
5	38.7	20.5	0.85	14.8	4.00	1.76	43.52		
6									
7									
8									
9									
10									
MAX	39.20	20.53	0.85	15.02	4.00	1.79	43.60		
MIN	38.50	20.49	0.80	14.60	3.50	1.70	43.46		
AVERAGE	38.78	20.51	0.82	14.86	3.72	1.76	43.52		
6.2 ELECTRICAL TEST									
TEST ITEM	L		DCR	IDC		Q	HI-POT		
	S-F		S-F						
TEST COND	100kHz/0.25v		AT 25°C						
SPEC	6.8uH ±10%		100mΩ (Max)						
1	6.85		72.00						
2	6.78		73.00						
3	6.79		72.50						
4	6.82		72.90						
5	6.81		72.40						
6									
7									
8									
9									
10									
MAX	6.85		73.00						
MIN	6.78		72.00						
AVERAGE	6.81		72.56						
HRSW ELECTRONICS CO., LTD					PART NO				
					TITLE		G43.5开槽+背胶15mm G43.5 grooves+gum		
DRAWN BY			CHECKED BY			APPROVED BY			
何伟华			韦立红			韦立红			