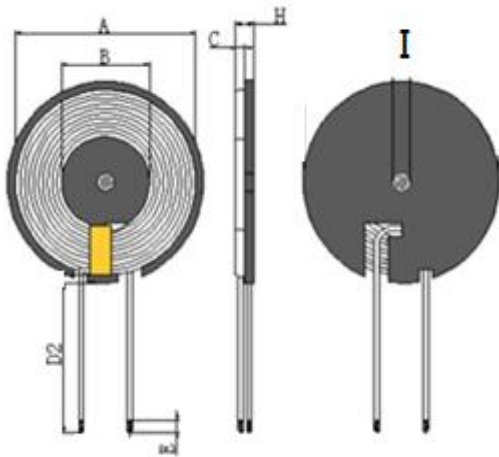
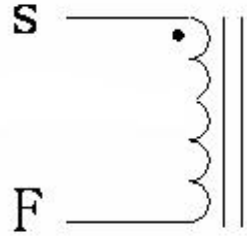


SPECIFICATION FOR APPROVAL

1. MECHANICAL DIMENSION (UNIT:mm)



2. SCHEMATICS:



1. The coil is attached to a magnetic sheet, Disk size $43.5 \pm 1\text{mm}$, thickness $0.80 \pm 0.05\text{mm}$.
2. Wrap adhesive paper at the outlet of the coil 1-2Ts;
3. The bottom of the spacer should be glued

A	B	C	D2	E	H	I			I
43.5 ± 1.0	20 ± 0.5	1.0 ± 0.05	5 ± 1	3 ± 1.5	1.6MAX	05 ± 0.05			

3. WINDING:

STEP	START-FINISH	WIRE TYPE	TURNS	TAPE	REMARK
N1	S-F	silk-covered wire 0.08*105mm 2UEW	10TS (Ref)		

4. ELECTRICAL SPECIFICATION:

ITEM	L	DCR	L	Q	HI-POT
TEST	Coil and disk	S-F	A separate coil		
CON	100KHz, 0.25V	AT 25°C	100KHz, 0.25V		
SPEC	$6.5\mu\text{H} \pm 10\%$	$60\text{m}\Omega$ Max	$3.8\mu\text{H} \pm 15\%$		

5. BILF OF MATERIAL:

NO.	ITEM	MATERIAL SPECIFICATION	MANUFACTURER	SGS NO.
1	silk-covered wire 0.08*105	Acetone covered wire 0.08*105	NANJINGJINNINGCO,LTD	
2	Lead-free solder article	Lead-free solder article	QIAODO	
3	magnetic sheet	50*0.8Manganese zinc hard magnetic chip L slot	TAIYI CO.,LTD	
4	glue	Xanthan gum 9999	LIANCHENG CO.,LTD	
5	high-temperature adhesive tape	7mm high-temperature adhesive tape	CUDAK CO.,LTD	
6	application of gum	49*0.1/3M	CUDAK CO.,LTD	

PART NO

HRSW ELECTRONICS CO.,LTD

TITLE

G50slotting
Back glue lead long18mm

DRAWN BY

CHECKED BY

APPROVED BY

何伟华

韦立红

韦立红

SPECIFICATION FOR APPROVAL

6. SAMPLE TEST DATA									
6.1 DIMENSION TEST (UNIT: mm)									
TEST ITEM	A	B	C	D	E	H	I		
SPEC	50±1.0	20.5±0.5	1.0±0.05	18±3	3±1.5	2.8MAX	5±0.05		
1	50	20.54	0.97	18	3.50	2.55	5		
2	49.98	20.53	0.98	17	3.60	2.56	4.89		
3	50.02	20.56	1	18.5	3.70	2.49	4.86		
4	49.89	20.58	1	18.6	3.80	2.52	5.16		
5	49.96	20.54	1	18	4.00	2.50	5.04		
6									
7									
8									
9									
10									
MAX	50.02	20.58	1.00	18.60	4.00	2.56	5.16		
MIN	49.89	20.53	0.97	17.00	3.50	2.49	4.86		
AVERAGE	49.97	20.55	0.99	18.02	3.72	2.52	4.99		
6.2 ELECTRICAL TEST									
TEST ITEM	L		DCR	IDC		Q	HI-POT		
	S-F		S-F						
TEST COND	100KHz/0.25v		AT 25°C						
SPEC	6.5uH ±10%		60mΩ (Max)						
1	6.54		42.00						
2	6.59		42.30						
3	6.58		42.50						
4	6.57		42.10						
5	6.61		42.35						
6	6.49								
7									
8									
9									
10									
MAX	6.61		42.50						
MIN	6.49		42.00						
AVERAGE	6.56		42.25						
HRSW ELECTRONICS CO., LTD					PART NO				
					TITLE		G50开槽+背胶引线长18mm		
DRAWN BY			CHECKED BY			APPROVED BY			
何伟华			韦立红			韦立红			