

# TEST REPORT

**Product Name** : ESR HaloLock Wireless Charger

**Model Number** : 2C502A

**FCC ID** : 2APEW-2C502A

Prepared for : Electronic Silk Road (Shenzhen) Tech Co., Ltd  
Address : 7th F,Building 10B,Taihua Wutong Industrial Park,Gushu  
Development Zones, Xixiang Street,Bao'an Area, Shenzhen,China

Prepared by : EMTEK (DONGGUAN) CO., LTD.  
Address : -1&2/F.,Building 2, Zone A, Zhongda Marine Biotechnology Reserch  
and Development Base, No.9, Xincheng Avenue, Songshanhu  
High-technology Industrial Development Zone, Dongguan,  
Guangdong, China

TEL: +86-0769-22807078

FAX: +86-0769-22807079

Report Number : ES210112035W

Date(s) of Tests : January 12, 2021 to January 18, 2021

Date of issue : January 18, 2021

## TABLE OF CONTENT

Test Report Description	Page
<b>1. SUMMARY OF TEST RESULTS.....</b>	<b>5</b>
<b>2. GENERAL INFORMATION.....</b>	<b>6</b>
2.1. Description of Device (EUT).....	6
2.2. Input / Output Ports.....	6
2.3. Independent Operation Modes.....	7
2.4. Test Manner.....	7
2.5. Description of Test Facility.....	7
2.6. Test Software.....	7
2.7. Description of Support Device.....	8
2.8. Measurement Uncertainty.....	8
<b>3. MEASURING DEVICE AND TEST EQUIPMENT.....</b>	<b>9</b>
3.1. Conducted Emission Test Equipment.....	9
3.2. For 3m Radiated Emission Measurement 9K-30M (3m chamber 1#).....	9
3.3. For 3m Radiated Emission Measurement 30M-1G (3m chamber 1#).....	9
<b>4. 20DB BANDWIDTH.....</b>	<b>10</b>
4.1. Test Procedure.....	10
4.2. Test Results.....	10
<b>5. POWER LINE CONDUCTED EMISSION MEASUREMENT.....</b>	<b>11</b>
5.1. Block Diagram of Test Setup.....	11
5.2. Limits.....	11
5.3. Test Procedure.....	11
5.4. Measuring Results.....	12
<b>6. RADIATED EMISSION TEST.....</b>	<b>15</b>
6.1. Measurement Procedure.....	15
6.2. Test SET-UP (Block Diagram of Configuration).....	15
6.3. Measurement Equipment Used.....	16
6.4. Radiated Emission Limit.....	16
6.5. Measurement Result.....	18
<b>7. ANTENNA REQUIREMENT.....</b>	<b>26</b>

## TEST REPORT DESCRIPTION

Applicant : Electronic Silk Road (Shenzhen) Tech Co., Ltd  
 Address : 7th F,Building 10B,Taihua Wutong Industrial Park,Gushu Development Zones, Xixiang Street,Bao'an Area, Shenzhen,China  
 Manufacturer : Electronic Silk Road (Shenzhen) Tech Co., Ltd  
 Address : 7th F,Building 10B,Taihua Wutong Industrial Park,Gushu Development Zones, Xixiang Street,Bao'an Area, Shenzhen,China  
 EUT : ESR HaloLock Wireless Charger  
 Model Name : 2C502A  
 Trademark : ESR

Measurement Procedure Used:

APPLICABLE STANDARDS	
STANDARD	TEST RESULT
FCC 47 CFR Part 2, Subpart J FCC 47 CFR Part 15, Subpart C	PASS

The above equipment was tested by SHENZHEN EMTEK CO., LTD. The test data, data evaluation, test procedures, and equipment configurations shown in this report were made in accordance with the procedures given in ANSI C63.10 (2013) and the energy emitted by the sample EUT tested as described in this report is in compliance with conducted and radiated emission limits of FCC Rules Part 15C

The test results of this report relate only to the tested sample identified in this report.

Date of Test : January 12, 2021 to January 18, 2021

Prepared by : *Yaping Shen*  
 Yaping Shen/Editor

Reviewer : *Joe Xia*  
 Joe Xia/Supervisor

Approved & Authorized Signer : *[Signature]*  
 Lisa Wang/Manager



## Modified Information

Version	Report No.	Revision Data	Summary
Ver.1.0	ES210112035W	/	Original Version



## 1. SUMMARY OF TEST RESULTS

EMISSION		
Description of Test Item	Standard & Limits	Results
Conducted Emission	FCC Part 15, Subpart C- Section 15.207 ANSI C63.10-2013	Pass
Radiated Emission	FCC Part 15, Subpart C- Section 15.209 ANSI C63.10-2013	Pass
Note: N/A is an abbreviation for Not Applicable.		



## 2. GENERAL INFORMATION

### 2.1. Description of Device (EUT)

EUT : ESR HaloLock Wireless Charger

Model Number : 2C502A

Input : DC 5V/9V from Adapter

Operation : 110KHz-205KHz  
Frequency for WPT

Modulation : ASK

Antenna Type: : Induction Coil antenna

Date of Received : January 12, 2021

Date of Test : January 12, 2021 to January 18, 2021

### 2.2. Input / Output Ports

Port #	Name	Type*	Cable Max. >3m	Cable Shielded	Comments
1	Enclosure	N/E	--	--	None
2	DC IN port	I/O	No	Unshielded	1 port
<p>* Note: For the purposes of the present document, the following symbols apply:</p> <p>AC AC Power Port</p> <p>DC DC Power Port</p> <p>N/E Non-Electrical</p> <p>I/O Signal Input or Output Port (Not Involved in Process Control)</p> <p>TP Telecommunication Ports</p>					

### 2.3. Independent Operation Modes

- A ON  
 1. Charging for iPhone by WPT(Full load)

### 2.4. Test Manner

Test Items	Test Voltage	Operation Modes
Conducted Emission	AC 120V/60Hz	Mode A.1
Radiated Emission	AC 120V/60Hz	Mode A.1

### 2.5. Description of Test Facility

#### Site Description

- EMC Lab. : Accredited by CNAS, 2018.11.30  
 The certificate is valid until 2022.10.28  
 The Laboratory has been assessed and proved to be in compliance with  
 CNAS-CL01:2006 (identical to ISO/IEC 17025:2005)  
 The Certificate Registration Number is L2291.
- Accredited by TUV Rheinland Shenzhen 2016.5.19  
 The Laboratory has been assessed according to the requirements ISO/IEC  
 17025.
- Accredited by FCC  
 Designation Number: CN1204  
 Test Firm Registration Number: 882943
- Accredited by Industry Canada, November 09, 2018  
 The Certificate Registration Number is 4480A.
- Accredited by A2LA, August 08, 2018  
 The Certificate Number is 4321.01.
- Name of Firm : EMTEK(SHENZHEN) CO., LTD.  
 Site Location : Bldg 69, Majialong Industry Zone,  
 Nanshan District, Shenzhen, Guangdong, China

### 2.6. Test Software

- Item Software  
 Conducted Emission : EMTEK(Ver.CON-03A1)-Shenzhen  
 Radiated Emission : EMTEK(Ver.RA-03A1)-Shenzhen

## 2.7. Description of Support Device

No.	Equipment	Trade name	Model	S/N	Power Cord
1.	iPhone	Apple	A1526	N/A	N/A
2.	Adapter	Aohal	A&A-050200U-US1	N/A	N/A

## 2.8. Measurement Uncertainty

Test Item	Uncertainty
Conducted Emission Uncertainty	3.16dB(9k~150kHz Conduction 2#) 2.90dB(150k-30MHz Conduction 2#)
Radiated Emission Uncertainty (3m Chamber)	3.78dB (30M~1GHz Polarize: H) 4.27dB (30M~1GHz Polarize: V) 4.46dB (1~6GHz)





### 3. MEASURING DEVICE AND TEST EQUIPMENT

#### 3.1. Conducted Emission Test Equipment

EQUIPMENT TYPE	MFR	MODEL NUMBER	SERIAL NUMBER	LAST CAL.	DUE CAL.
Test Receiver	Rohde & Schwarz	ESCS30	828985/018	05/22/2020	05/21/2021
L.I.S.N.	Schwarzbeck	NNLK8129	8129203	05/22/2020	05/21/2021
50Ω Coaxial Switch	Anritsu	MP59B	M20531	05/22/2020	05/21/2021
Pulse Limiter	Rohde & Schwarz	ESH3-Z2	100006	05/22/2020	05/21/2021
Voltage Probe	Rohde & Schwarz	TK9416	N/A	05/22/2020	05/21/2021
I.S.N	Rohde & Schwarz	ENY22	1109.9508.02	05/22/2020	05/21/2021

#### 3.2. For 3m Radiated Emission Measurement 9K-30M (3m chamber 1#)

Equipment	Manufacturer	Model No.	Serial No.	Last Cal.	DUE CAL.
EMI Test Receiver	Rohde & Schwarz	ESU	1302.6005.26	05/22/2020	05/21/2021
Loop Antenna	Schwarzbeck	FMZB 1519	1519-012	05/22/2020	05/21/2021
Cable		3M SF104-26.5	295838/4	05/22/2020	05/21/2021
Cable		6M SF104-26.5	295840/4	05/22/2020	05/21/2021

#### 3.3. For 3m Radiated Emission Measurement 30M-1G (3m chamber 1#)

Equipment	Manufacturer	Model No.	Serial No.	Last Cal.	Cal. Interval
EMI Test Receiver	Rohde & Schwarz	ESU	1302.6005.26	05/22/2020	05/21/2021
Pre-Amplifier	HP	8447F	2944A07999	05/22/2020	05/21/2021
Bilog Antenna	Schwarzbeck	VULB9163	142	05/22/2020	05/21/2021
Cable	Schwarzbeck	AK9513	ACRX1	05/22/2020	05/21/2021
Cable	Rosenberger	N/A	FP2RX2	05/22/2020	05/21/2021
Cable	Schwarzbeck	AK9513	CRPX1	05/22/2020	05/21/2021
Cable	Schwarzbeck	AK9513	CRRX2	05/22/2020	05/21/2021

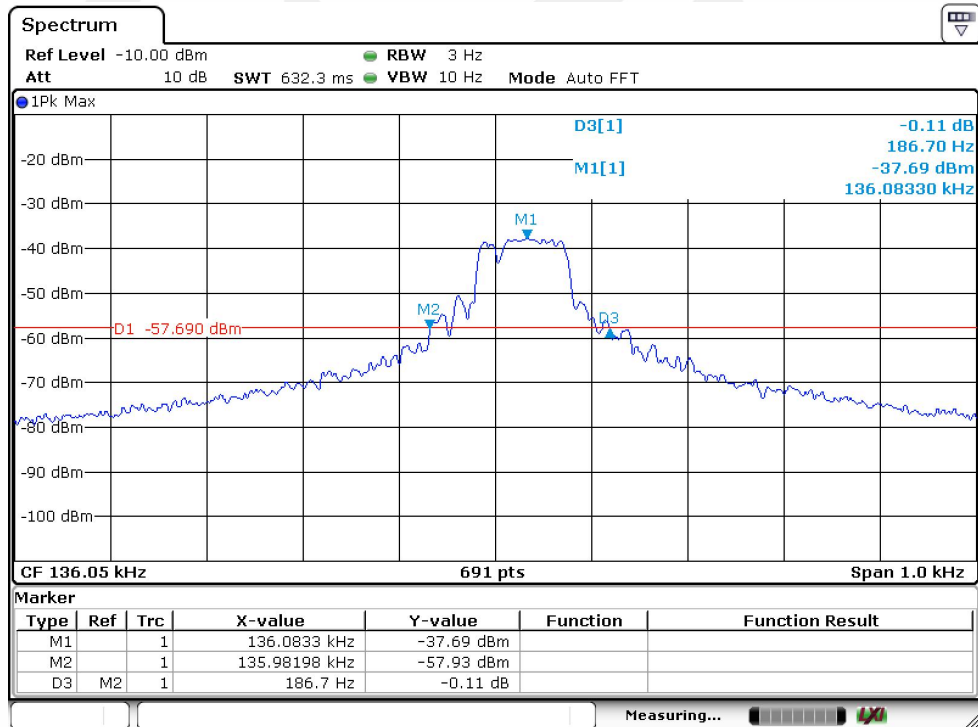
## 4. 20DB BANDWIDTH

### 4.1. Test Procedure

Set to the maximum power setting and enable the EUT transmit continuously  
 Set RBW = 3kHz.  
 Set the video bandwidth (VBW) =10kHz.  
 Set Span= 20KHz  
 Set Detector = Peak.  
 Set Trace mode = max hold.  
 Set Sweep = auto couple.  
 Measure and record the results in the test report.

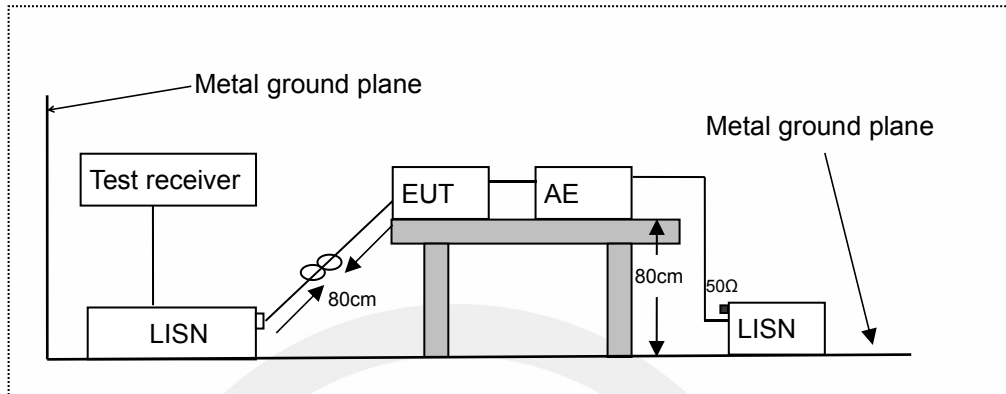
### 4.2. Test Results

Temperature: 24°C      Test Date: 01/19/2021  
 Humidity: 53 %      Test By: KK  
 20dB Band=186.7Hz



## 5. POWER LINE CONDUCTED EMISSION MEASUREMENT

### 5.1. Block Diagram of Test Setup



LISN: Line Impedance Stabilization Network  
 AE: Associated equipment  
 EUT: Equipment under test

### 5.2. Limits

FCC Part 15.207

Frequency (MHz)		Limit (dB $\mu$ V)	
		Quasi-peak Level	Average Level
0.15	~ 0.50	66.0 ~ 56.0 *	56.0 ~ 46.0 *
0.50	~ 5.00	56.0	46.0
5.00	~ 30.00	60.0	50.0

NOTE1-The lower limit shall apply at the transition frequencies.  
 NOTE2-The limit decreases linearly with the logarithm of the frequency in the range 0.15MHz to 0.50MHz.

### 5.3. Test Procedure

The EUT was placed on a desk 0.8 m height from the metal ground plane and 0.4 m from the conducting wall of the shielding room and it was kept at least 0.8 m from any other grounded conducting surface. The size of the table will nominally be 1.5 m x1.0 m.

The rear of the arrangement shall be flush with the back of the supporting tabletop unless that would not be possible or typical of normal use.

All units of equipment forming the system under test (includes the EUT as well as connected peripherals and associated equipment or devices) shall be arranged such that a nominal 0.1 m separation is achieved between the neighboring units.

Connect EUT to the power mains through a line impedance stabilization network (LISN). Where the mains cable supplied by the manufacturer is longer than 1 m, the excess should be folded at the centre into a bundle no longer than 0.4 m, so that its length is shortened to 1 m.

All the support units are connecting to the other LISN.

The LISN provides 50 ohm coupling impedance for the measuring instrument.

Both sides of AC line were checked for maximum conducted interference.

The frequency range from 150 kHz to 30 MHz was sweep.

Set the test-receiver system to quasi peak detect function and average detect function, and to measure the conducted emissions values.

Test results were obtained from the following equation:

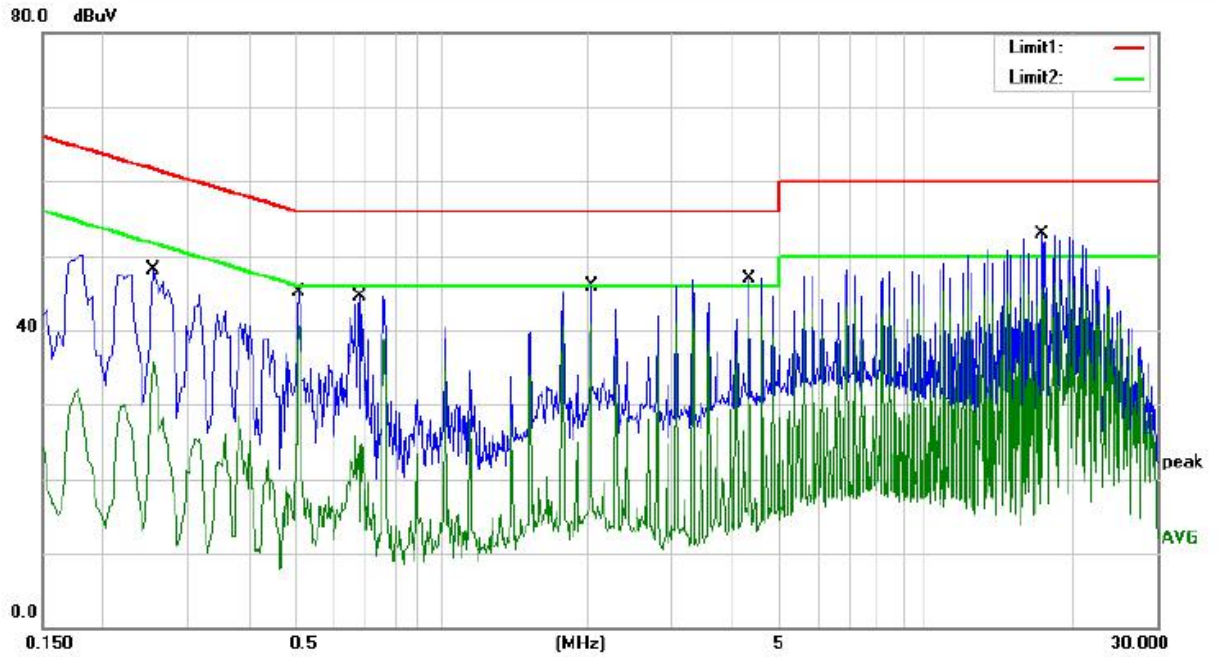
Emission Level (dB $\mu$ V) = LISN Factor (dB) + Cable Loss (dB) + Reading (dB $\mu$ V)

Margin (dB) = Emission Level (dB $\mu$ V) - Limit (dB $\mu$ V)

## 5.4. Measuring Results

**PASS.**

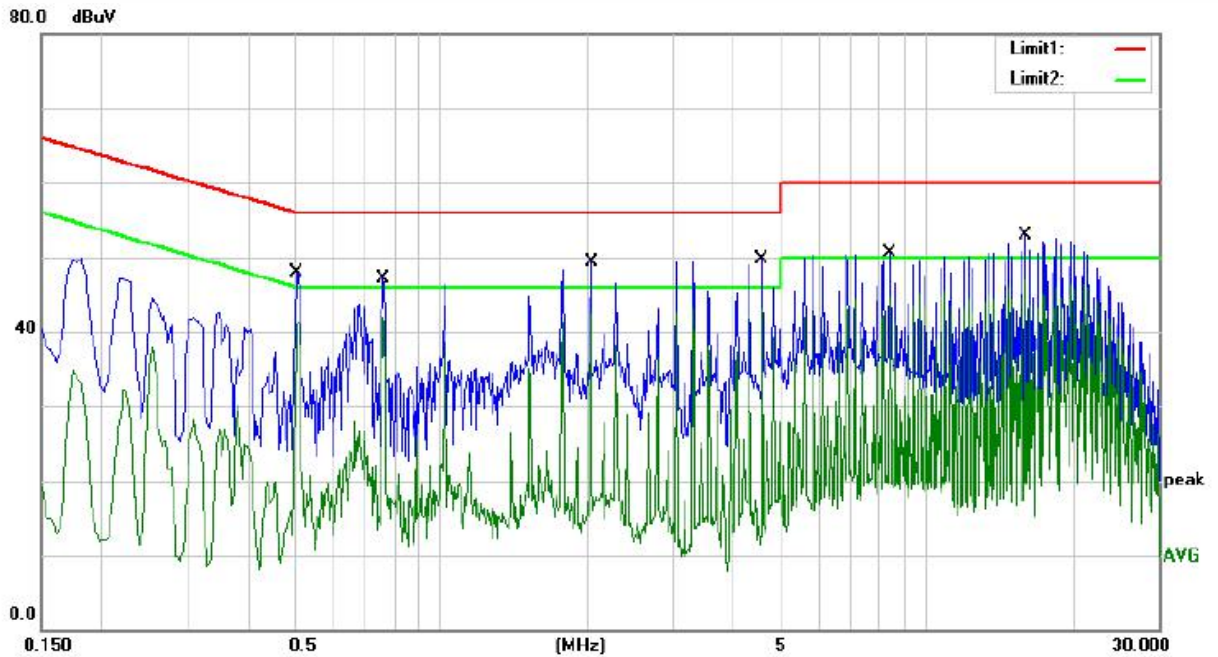




Site: site #1      Phase: **L1**      Temperature: 22.6  
 Limit: FCC PART 15 B\_QP (CE)      Power: DC 9V      Humidity: 36 %  
 Mode: Wireless Charging  
 Note:

No.	Mk.	Freq. MHz	Reading Level dBuV	Correct Factor dB	Measure- ment dBuV	Limit dBuV	Over dB	Detector	Comment
1		0.2540	37.75	10.38	48.13	61.63	-13.50	QP	
2		0.2540	25.38	10.38	35.76	51.63	-15.87	AVG	
3		0.5100	34.94	10.13	45.07	56.00	-10.93	QP	
4		0.5100	30.30	10.13	40.43	46.00	-5.57	AVG	
5		0.6780	34.37	10.13	44.50	56.00	-11.50	QP	
6		0.6780	28.52	10.13	38.65	46.00	-7.35	AVG	
7		2.0380	35.85	10.10	45.95	56.00	-10.05	QP	
8		2.0380	30.52	10.10	40.62	46.00	-5.38	AVG	
9		4.3300	36.92	10.06	46.98	56.00	-9.02	QP	
10		4.3300	32.31	10.06	42.37	46.00	-3.63	AVG	
11		17.3140	42.88	10.03	52.91	60.00	-7.09	QP	
12	*	17.3140	36.37	10.03	46.40	50.00	-3.60	AVG	

\*:Maximum data    x:Over limit    !:over margin    Comment: Factor build in receiver.    Operator: Ccyf



Site site #1 Phase: **N** Temperature: 22.6  
 Limit: FCC PART 15 B\_QP (CE) Power: DC 9V Humidity: 36 %  
 Mode: Wireless Charging  
 Note:

No.	Mk.	Freq. MHz	Reading Level dBuV	Correct Factor dB	Measure- ment dBuV	Limit dBuV	Over dB	Detector	Comment
1		0.5060	37.75	10.13	47.88	56.00	-8.12	QP	
2		0.5060	31.08	10.13	41.21	46.00	-4.79	AVG	
3		0.7620	36.92	10.13	47.05	56.00	-8.95	QP	
4		0.7620	31.86	10.13	41.99	46.00	-4.01	AVG	
5		2.0380	39.18	10.10	49.28	56.00	-6.72	QP	
6		2.0380	32.25	10.10	42.35	46.00	-3.65	AVG	
7		4.5820	39.63	10.06	49.69	56.00	-6.31	QP	
8		4.5820	32.75	10.06	42.81	46.00	-3.19	AVG	
9		8.4020	40.55	10.04	50.59	60.00	-9.41	QP	
10		8.4020	35.50	10.04	45.54	50.00	-4.46	AVG	
11		16.0380	42.89	10.03	52.92	60.00	-7.08	QP	
12	*	16.0380	36.85	10.03	46.88	50.00	-3.12	AVG	

\*:Maximum data x:Over limit !:over margin Comment: Factor build in receiver. Operator: Ccyf

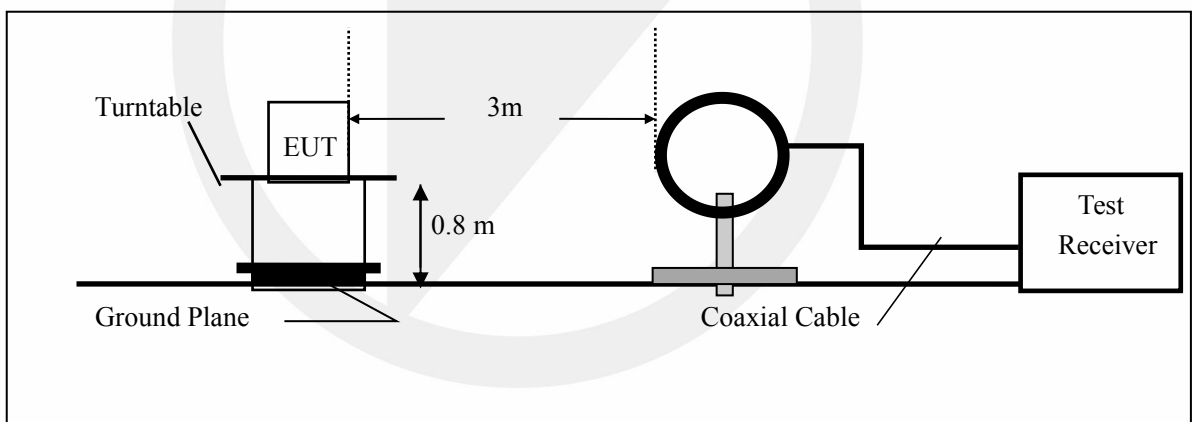
## 6. RADIATED EMISSION TEST

### 6.1. Measurement Procedure

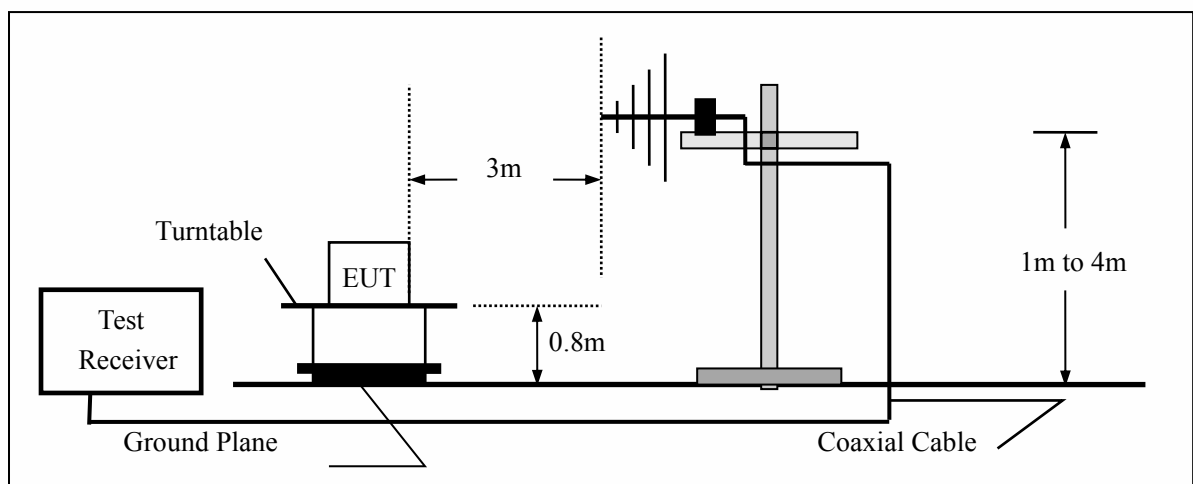
1. The EUT was placed on a turn table which is 0.8m above ground plane.
2. Maximum procedure was performed on the six highest emissions to ensure EUT compliance.
3. And also, each emission was to be maximized by changing the polarization of receiving antenna both horizontal and vertical.
4. Repeat above procedures until all frequency measured were complete.
5. Use the following receiver/spectrum analyzer settings:  
 Span = wide enough to fully capture the emission being measured  
 RBW=200Hz for 9KHz to 150KHz,  
 RBW=9kHz for 150KHz to 30MHz,  
 RBW=120KHz for 30MHz to 1GHz  
 VBW  $\geq 3 \times$  RBW  
 Sweep = auto  
 Detector function = QP  
 Trace = max hold

### 6.2. Test SET-UP (Block Diagram of Configuration)

(A) Radiated Emission Test Set-Up, Frequency Below 30MHz



(B) Radiated Emission Test Set-Up, Frequency Below 1000MHz



### 6.3.Measurement Equipment Used

EQUIPMENT TYPE	MFR	MODEL NUMBER	SERIAL NUMBER	LAST CAL.	CAL DUE.
EMI Test Receiver	Rohde & Schwarz	ESU	1302.6005.26	05/22/2020	05/21/2021
Pre-Amplifier	HP	8447D	2944A07999	05/22/2020	05/21/2021
Bilog Antenna	Schwarzbeck	VULB9163	142	05/22/2020	05/21/2021
Loop Antenna	ARA	PLA-1030/B	1029	05/22/2020	05/21/2021
Horn Antenna	Schwarzbeck	BBHA 9170	BBHA9170399	05/22/2020	05/21/2021
Horn Antenna	Schwarzbeck	BBHA 9120	D143	05/22/2020	05/21/2021
Cable	Schwarzbeck	AK9513	ACRX1	05/22/2020	05/21/2021
Cable	Rosenberger	N/A	FP2RX2	05/22/2020	05/21/2021
Cable	Schwarzbeck	AK9513	CRPX1	05/22/2020	05/21/2021
Cable	Schwarzbeck	AK9513	CRRX2	05/22/2020	05/21/2021

### 6.4.Radiated Emission Limit

The emissions from an intentional radiator shall not exceed the field strength levels specified in the following table 15.209(a):

FCC Part 15.209				
Frequency (MHz)	Field Strength Limitation		Field Strength Limitation Frequency tion at 3m Measurement Dist	
	(uV/m)	Dist	(uV/m)	(dBuV/m)
0.009 – 0.490	2400 / F(KHz)	300m	10000 * 2400/F(KHz)	20log 2400/F(KHz) + 80
0.490 – 1.705	24000 / F(KHz)	30m	100 * 24000/F(KHz)	20log 24000/F(KHz) + 40
1.705 – 30.00	30	30m	100* 30	20log 30 + 40
30.0 – 88.0	100	3m	100	20log 100
88.0 – 216.0	150	3m	150	20log 150
216.0 – 960.0	200	3m	200	20log 200
Above 960.0	500	3m	500	20log 500



### 15.205 Restricted bands of operation

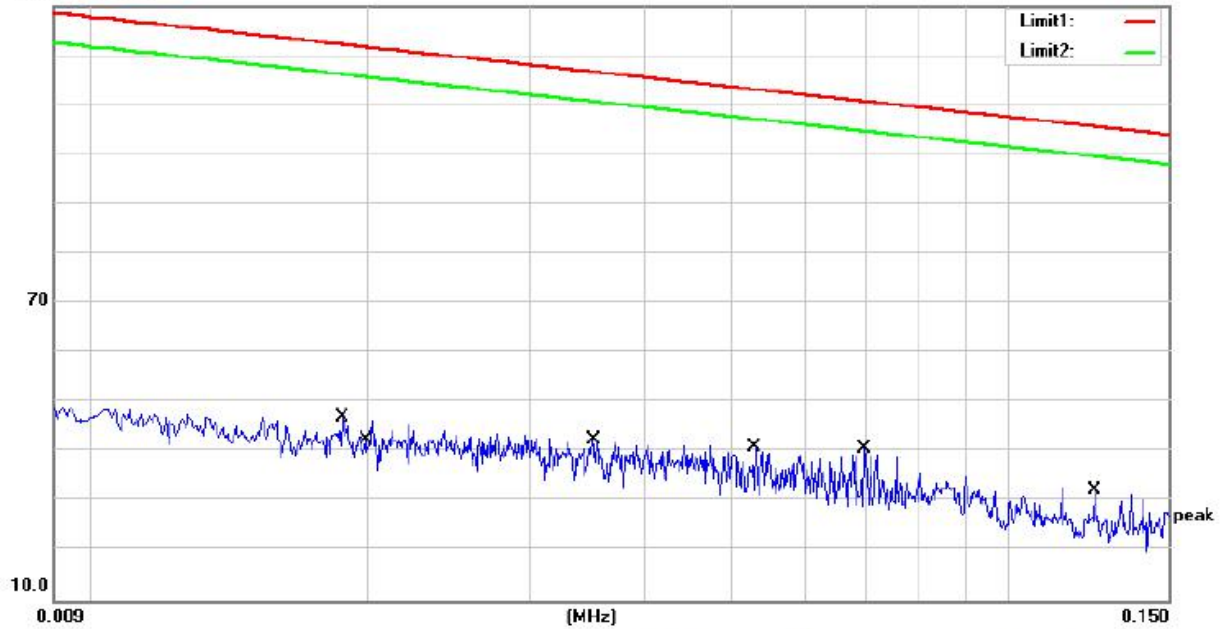
MHz	MHz	MHz	GHz
0.090 - 0.110	16.42 - 16.423	399.9 - 410	4.5 - 5.15
<sup>1</sup> 0.495 - 0.505	16.69475 - 16.69525	608 - 614	5.35 - 5.46
2.1735 - 2.1905	16.80425 - 16.80475	960 - 1240	7.25 - 7.75
4.125 - 4.128	25.5 - 25.67	1300 - 1427	8.025 - 8.5
4.17725 - 4.17775	37.5 - 38.25	1435 - 1626.5	9.0 - 9.2
4.20725 - 4.20775	73 - 74.6	1645.5 - 1646.5	9.3 - 9.5
6.215 - 6.218	74.8 - 75.2	1660 - 1710	10.6 - 12.7
6.26775 - 6.26825	108 - 121.94	1718.8 - 1722.2	13.25 - 13.4
6.31175 - 6.31225	123 - 138	2200 - 2300	14.47 - 14.5
8.291 - 8.294	149.9 - 150.05	2310 - 2390	15.35 - 16.2
8.362 - 8.366	156.52475 - 156.52525	2483.5 - 2500	17.7 - 21.4
8.37625 - 8.38675	156.7 - 156.9	2690 - 2900	22.01 - 23.12
8.41425 - 8.41475	162.0125 - 167.17	3260 - 3267	23.6 - 24.0
12.29 - 12.293	167.72 - 173.2	3332 - 3339	31.2 - 31.8
12.51975 - 12.52025	240 - 285	3345.8 - 3358	36.43 - 36.5
12.57675 - 12.57725	322 - 335.4	3600 - 4400	( <sup>2</sup> )

- Remark:
1. Emission level in dBuV/m=20 log (uV/m)
  2. Measurement was performed at an antenna to the closed point of EUT distance of meters.
  3. Only spurious frequency is permitted to locate within the Restricted Bands specified in provision of § 15.205, and the emissions located in restricted bands also comply with 15.209 limit.

## 6.5.Measurement Result

9KHz-150KHz:

130.0 dBuV/m



Site site #1

Phase: X

Temperature: 22.6

Limit: (RE)FCC PART 15.209

Power: DC 9V

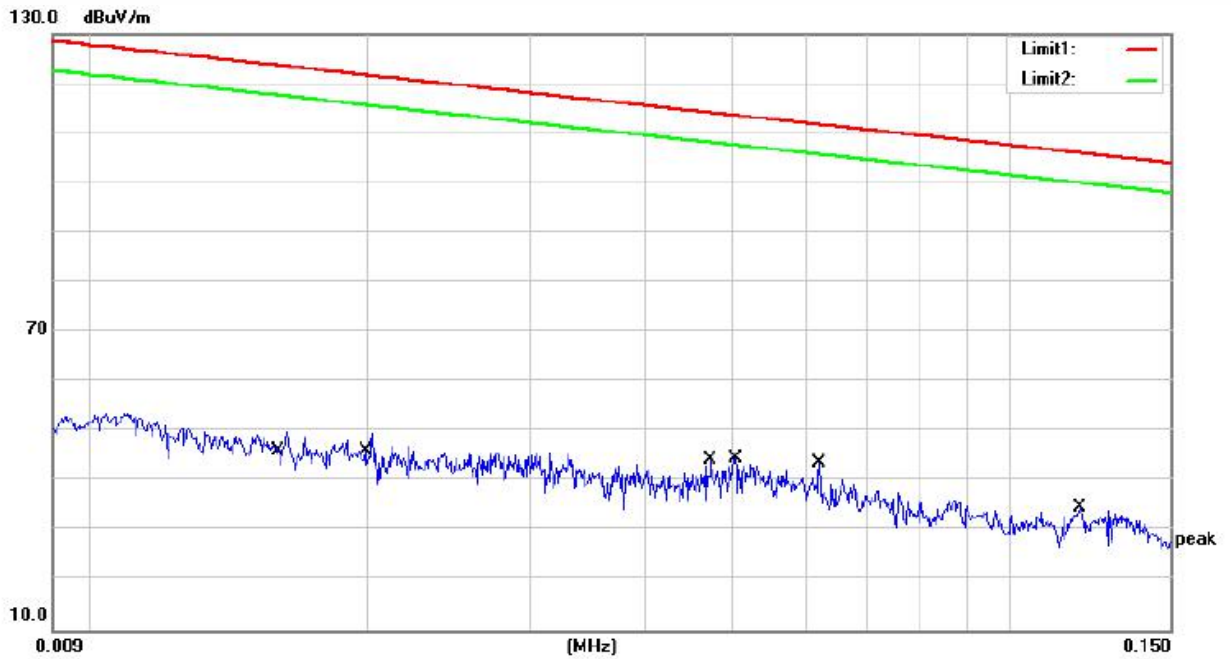
Humidity: 53 %

Mode: Wireless Charging

Note:

No.	Mk.	Freq.	Reading Level	Correct Factor	Measurement	Limit	Over	Detector	Comment
		MHz	dBuV/m	dB	dBuV/m	dBuV/m	dB		
1		0.0186	26.24	20.87	47.11	122.20	-75.09	QP	
2		0.0200	25.53	20.87	46.40	121.57	-75.17	QP	
3		0.0350	21.69	20.86	42.55	116.71	-74.16	QP	
4		0.0530	20.19	20.84	41.03	113.11	-72.08	QP	
5	*	0.0696	19.80	20.83	40.63	110.74	-70.11	QP	
6		0.1248	11.57	20.78	32.35	105.67	-73.32	QP	

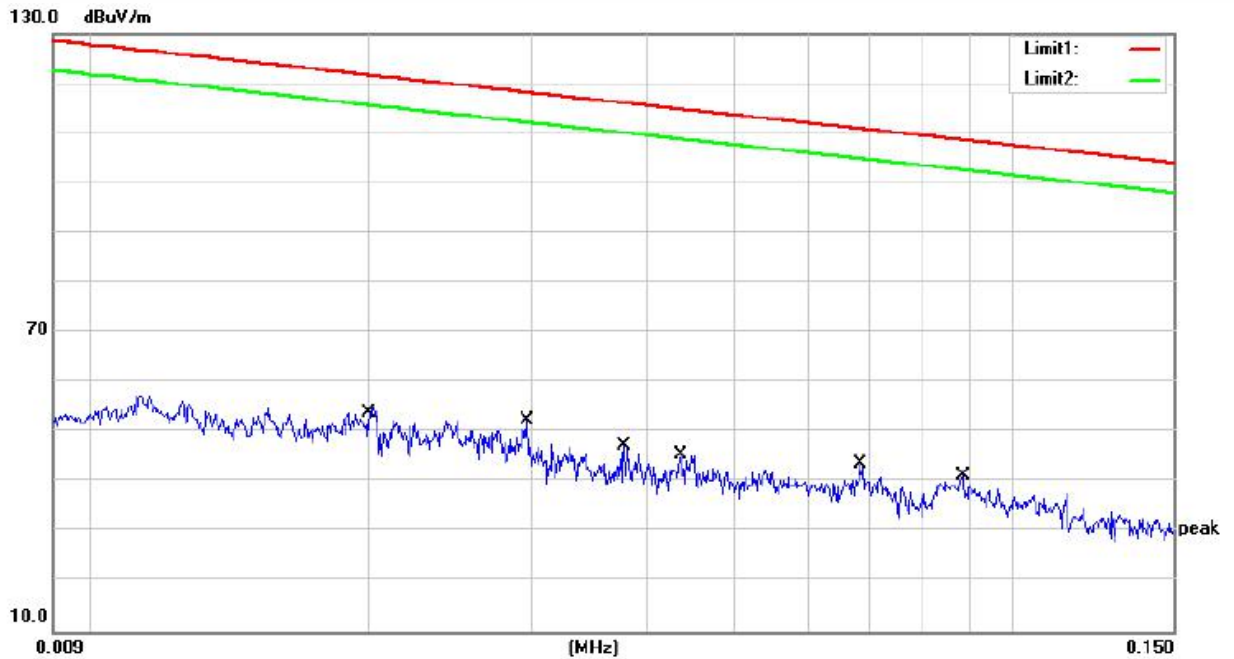
\*:Maximum data    x:Over limit    !:over margin    Comment: Factor build in receiver.    Operator: Ccyf



Site site #1 Phase: **Y** Temperature: 22.6  
 Limit: (RE)FCC PART 15.209 Power: DC 9V Humidity: 53 %  
 Mode: Wireless Charging  
 Note:

No.	Mk.	Freq. MHz	Reading Level dBuV/m	Correct Factor dB	Measure- ment dBuV/m	Limit dBuV/m	Over dB	Detector	Comment
1		0.0160	29.08	20.87	49.95	123.51	-73.56	QP	
2		0.0200	29.03	20.87	49.90	121.57	-71.67	QP	
3		0.0471	23.58	20.85	44.43	114.13	-69.70	QP	
4		0.0502	23.85	20.84	44.69	113.58	-68.89	QP	
5	*	0.0620	23.01	20.83	43.84	111.75	-67.91	QP	
6		0.1194	14.02	20.79	34.81	106.06	-71.25	QP	

\*:Maximum data x:Over limit !:over margin Comment: Factor build in receiver. Operator: Ccyf

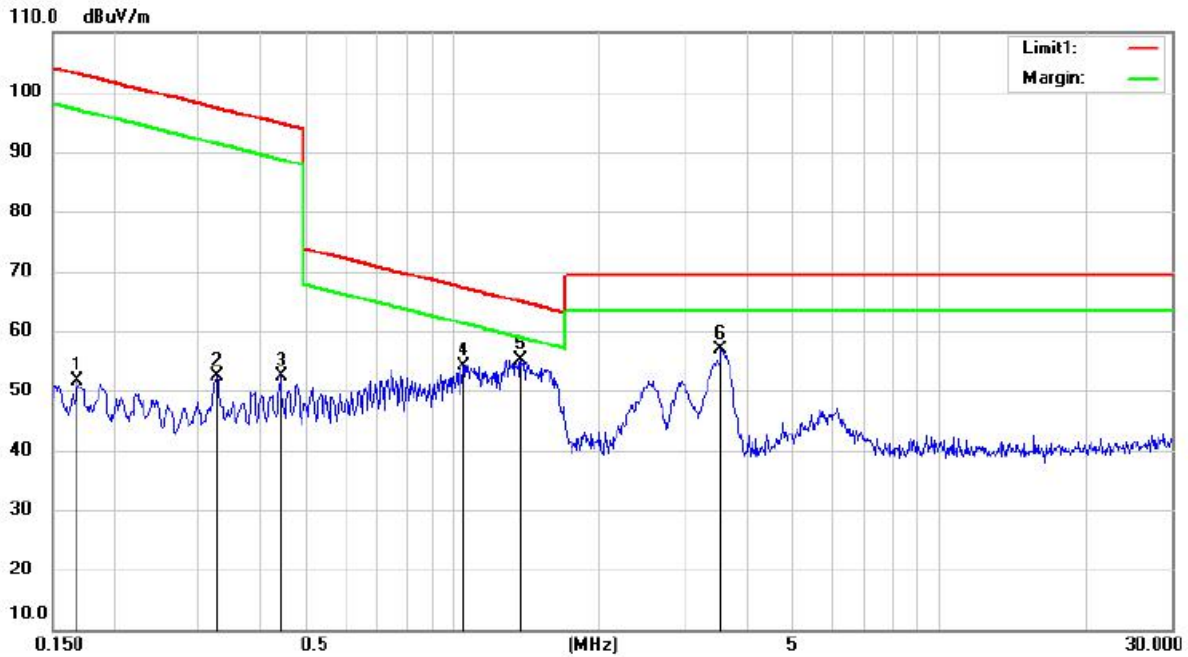


Site site #1 Phase: **Z** Temperature: 22.6  
 Limit: (RE)FCC PART 15.209 Power: DC 9V Humidity: 53 %  
 Mode: Wireless Charging  
 Note:

No.	Mk.	Freq. MHz	Reading Level dBuV/m	Correct Factor dB	Measure- ment dBuV/m	Limit dBuV/m	Over dB	Detector	Comment
1		0.0200	34.03	20.87	54.90	121.57	-66.67	QP	
2	*	0.0296	31.49	20.86	52.35	118.16	-65.81	QP	
3		0.0376	26.61	20.86	47.47	116.09	-68.62	QP	
4		0.0434	24.59	20.85	45.44	114.84	-69.40	QP	
5		0.0680	22.97	20.83	43.80	110.94	-67.14	QP	
6		0.0884	20.44	20.81	41.25	108.67	-67.42	QP	

\*:Maximum data x:Over limit !:over margin Comment: Factor build in receiver. Operator: Ccyf

150KHz-30MHz:



Site 3m Chamber #1

Polarization: X

Temperature: 29.5 C

Limit: (RE)FCC PART 15.209(9K-30M)

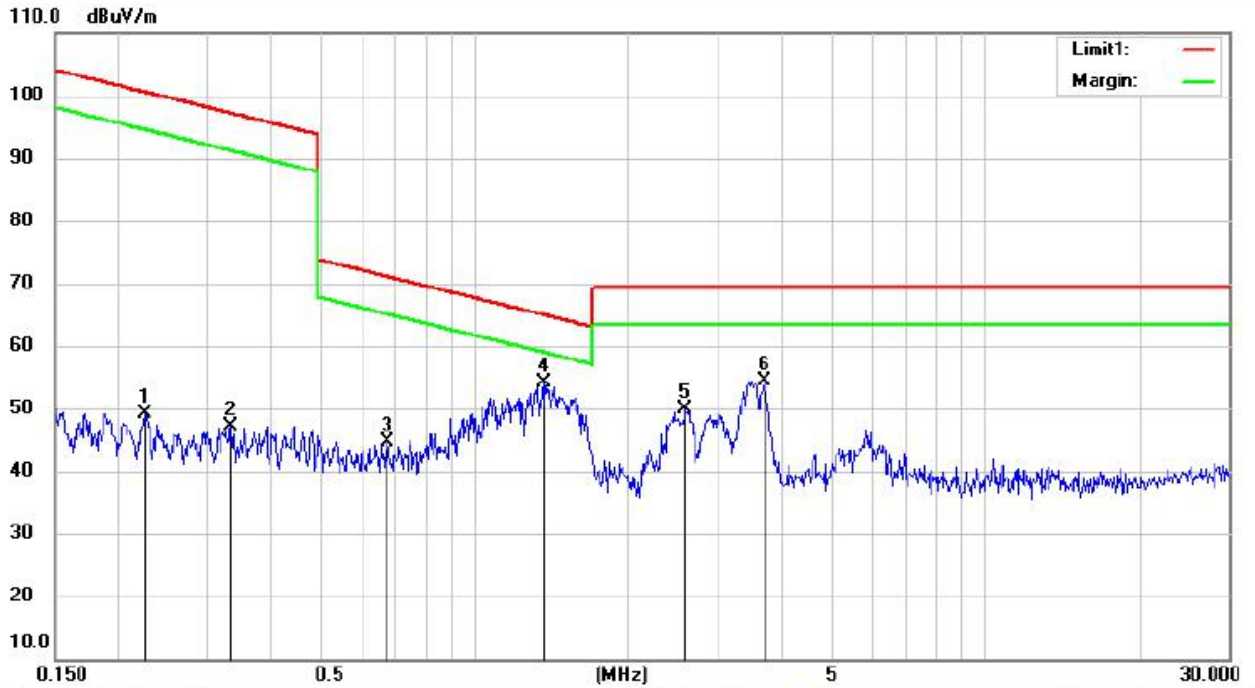
Power: DC 9V

Humidity: 48 %

Mode: Wireless Charging

Note:

No.	Mk.	Freq. MHz	Reading Level dBuV	Correct Factor dB	Measurement dBuV/m	Limit dBuV/m	Over dB	Detector	Antenna Height cm	Table Degree degree	Comment
1		0.1685	30.82	20.89	51.71	103.07	-51.36	QP			
2		0.3268	31.37	21.05	52.42	97.32	-44.90	QP			
3		0.4421	31.43	21.05	52.48	94.69	-42.21	QP			
4		1.0485	33.16	20.95	54.11	67.21	-13.10	QP			
5	*	1.3738	34.26	20.85	55.11	64.87	-9.76	QP			
6		3.5466	36.43	20.39	56.82	69.50	-12.68	QP			



Site 3m Chamber #1

Polarization: **Z**

Temperature: 29.5 C

Limit: (RE)FCC PART 15.209(9K-30M)

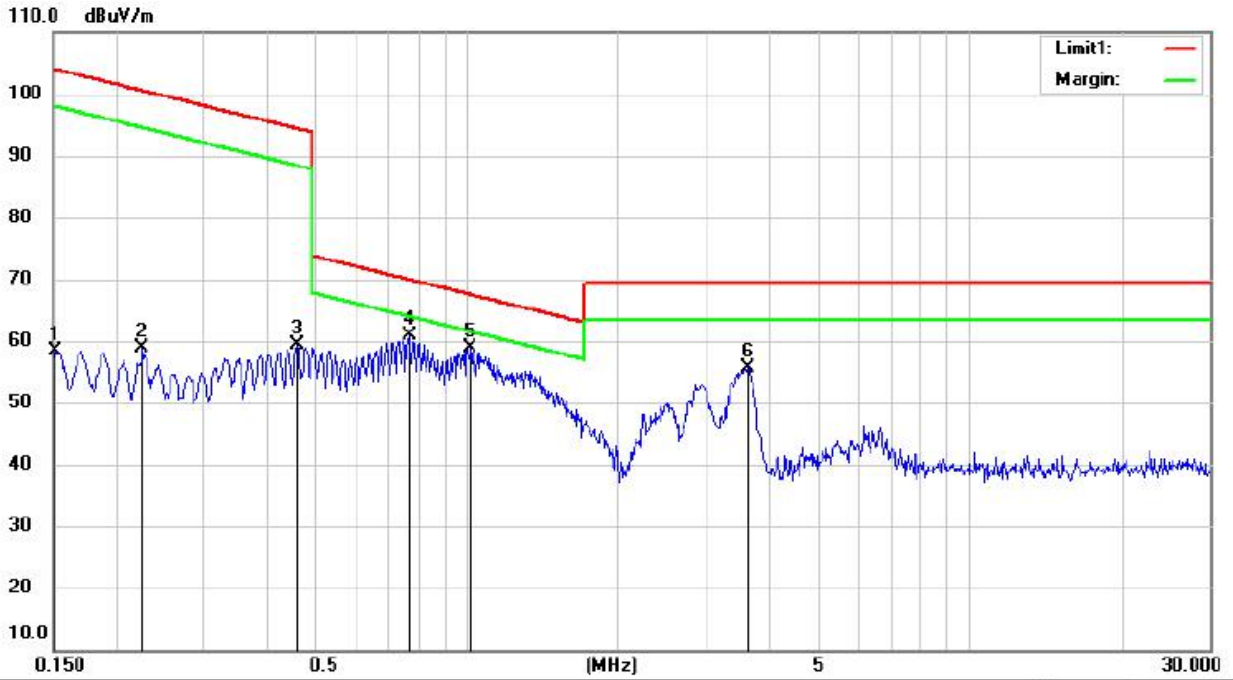
Power: DC 9V

Humidity: 48 %

Mode: Wireless Charging

Note:

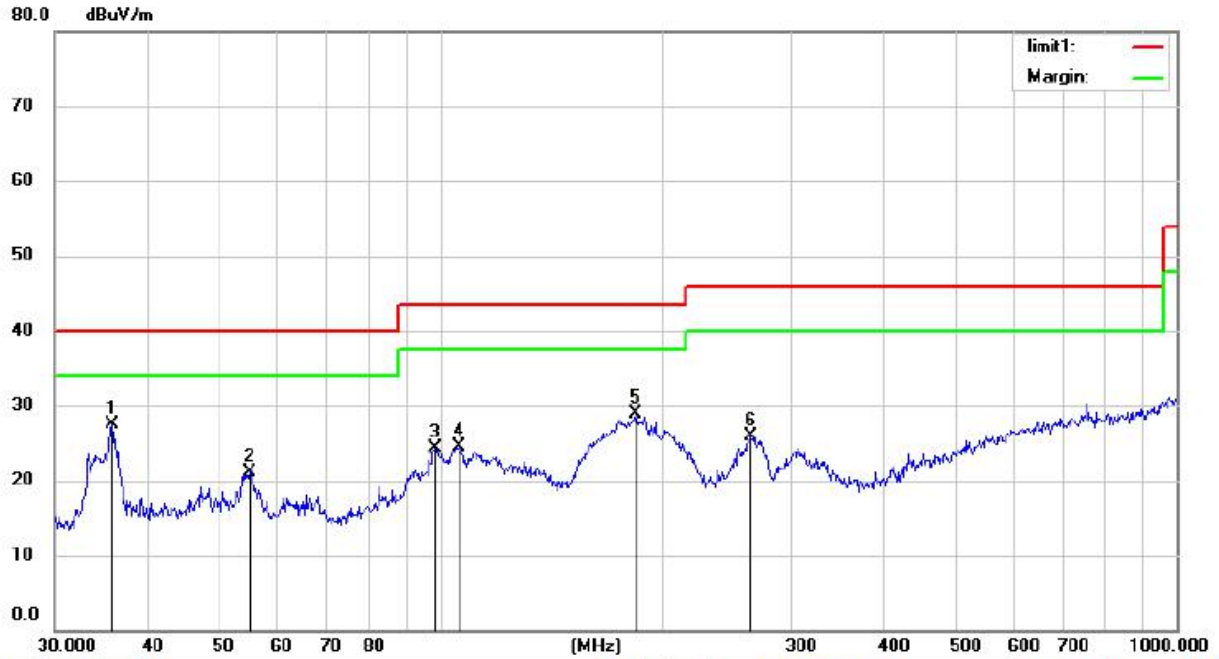
No.	Mk.	Freq. MHz	Reading Level dBuV	Correct Factor dB	Measure- ment dBuV/m	Limit dBuV/m	Over dB	Detector	Antenna Height cm	Table Degree degree	Comment
1		0.2244	28.24	21.00	49.24	100.58	-51.34	QP			
2		0.3321	26.14	21.05	47.19	97.18	-49.99	QP			
3		0.6720	23.73	20.99	44.72	71.06	-26.34	QP			
4	*	1.3593	33.25	20.85	54.10	64.96	-10.86	QP			
5		2.5807	29.37	20.51	49.88	69.50	-19.62	QP			
6		3.6806	34.11	20.39	54.50	69.50	-15.00	QP			



Site 3m Chamber #1      Polarization: **Y**      Temperature: 29.5 C  
 Limit: (RE)FCC PART 15.209(9K-30M)      Power: DC 9V      Humidity: 48 %  
 Mode: Wireless Charging  
 Note:

No.	Mk.	Freq. MHz	Reading Level dBuV	Correct Factor dB	Measure- ment dBuV/m	Limit dBuV/m	Over dB	Antenna Height cm	Table Degree	Detector	Comment
1		0.1516	37.51	20.85	58.36	103.98	-45.62			QP	
2		0.2256	37.80	21.00	58.80	100.53	-41.73			QP	
3		0.4588	38.41	21.05	59.46	94.37	-34.91			QP	
4		0.7670	39.85	20.96	60.81	69.92	-9.11			QP	
5	*	1.0157	37.88	20.96	58.84	67.49	-8.65			QP	
6		3.6034	35.30	20.39	55.69	69.50	-13.81			QP	

## 30MHz-1GHz:



Site Chamber #1 Polarization: **Horizontal** Temperature: 24.1  
 Limit: FCC PART 15 B 3m(RE) Power: DC 9V Humidity: 50 %  
 Mode: Wireless Charging  
 Note:

No.	Mk.	Freq. MHz	Reading Level dBuV	Correct Factor dB	Measure- ment dBuV/m	Limit dBuV/m	Over dB	Antenna Height cm	Table Degree degree	Detector	Comment
1	*	35.8746	45.73	-18.24	27.49	40.00	-12.51			QP	
2		55.2207	37.17	-15.97	21.20	40.00	-18.80			QP	
3		98.4866	42.95	-18.74	24.21	43.50	-19.29			QP	
4		106.0126	42.77	-18.22	24.55	43.50	-18.95			QP	
5		184.4898	47.91	-19.00	28.91	43.50	-14.59			QP	
6		263.8190	40.78	-14.86	25.92	46.00	-20.08			QP	

\*:Maximum data x:Over limit !:over margin

Operator: XIA





Site: Chamber #1      Polarization: **Vertical**      Temperature: 24.1  
 Limit: FCC PART 15 B 3m(RE)      Power: DC 9V      Humidity: 50 %  
 Mode: Wireless Charging  
 Note:

No.	Mk.	Freq. MHz	Reading Level dBuV	Correct Factor dB	Measure- ment dBuV/m	Limit dBuV/m	Over dB	Antenna Height cm	Table Degree	Detector	Comment
1		35.4993	46.06	-18.40	27.66	40.00	-12.34			QP	
2		55.4147	43.68	-16.00	27.68	40.00	-12.32			QP	
3	*	67.4382	49.90	-18.68	31.22	40.00	-8.78			QP	
4		99.8777	45.55	-18.64	26.91	43.50	-16.59			QP	
5		106.0126	45.59	-18.22	27.37	43.50	-16.13			QP	
6		195.8220	47.75	-17.64	30.11	43.50	-13.39			QP	

\*:Maximum data    x:Over limit    !:over margin

Operator: XIA

## 7. ANTENNA REQUIREMENT

The EUT's antenna, permanent attached antenna, used an Induction coil, The antenna's gain meets the requirement.



\*\*\* End of Report \*\*\*

# 声明

## Statement

1. 本报告无授权批准人签字及“检验报告专用章”无效；

This report will be void without authorized signature or special seal for testing report.

2. 未经许可本报告不得部分复制；

This report shall not be copied partly without authorization.

3. 本报告的检测结果仅对送测样品有效，委托方对样品的代表性和资料的真实性负责；

The test results or observations are applicable only to tested sample. Client shall be responsible for representativeness of the sample and authenticity of the material.

4. 本检测报告中检测项目标注有特殊符号则该项目不在资质认定范围内，仅作为客户委托、科研、教学或内部质量控制等目的使用；

The observations or tests with special mark fall outside the scope of accreditation, and are only used for purpose of commission, research, training, internal quality control etc.

5. 本检测报告以实测值进行符合性判定，未考虑不确定度所带来的风险，本实验室不承担相关责任，特别约定、标准或规范中有明确规定的除外；

The test results or observations are provided in accordance with measured value, without taking risks caused by uncertainty into account. Without explicit stipulation in special agreements, standards or regulations, EMTEK shall not assume any responsibility.

6. 对本检测报告若有异议，请于收到报告之日起 20 日内提出；

Objections shall be raised within 20 days from the date receiving the report.