

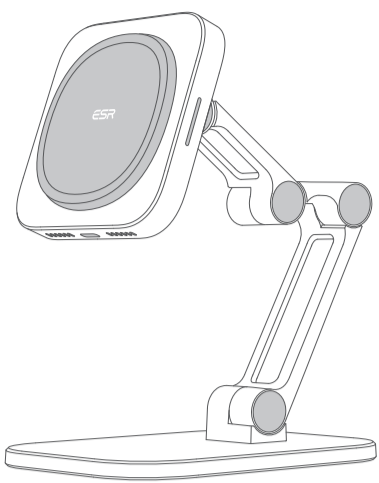
封面

封一

底一

封底

ESR

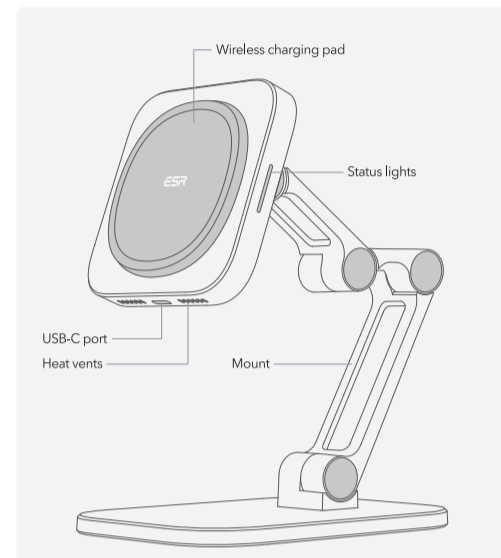


HaloLock Adjustable Wireless Charging Stand
2C502 User Manual

EN Thank you for choosing ESR!

Before using this product, please read this manual carefully. Keep this manual for future reference.

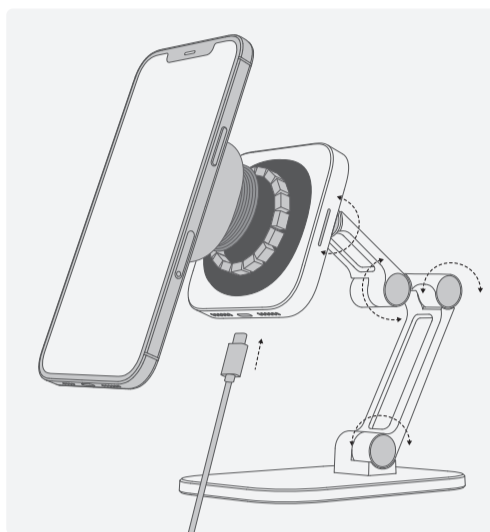
Product Overview



Important Reminders

1. For maximum charging speed, use a cable and adapter compatible with QC (Quick Charge 2.0/3.0 or PD (Power Delivery)) fast charging.
2. This charger is only compatible with the iPhone 12 series, official MagSafe cases, and ESR HaloLock cases. Other phones/cases will fall off the charger.

Instructions



The charging pad is equipped with a HaloLock magnetic ring. It will automatically align your iPhone 12 with the pad for easier wireless charging.

1. Adjust the stand to a comfortable angle.
2. Plug in the charging pad. Place the phone on the charger to begin charging.

Status Light Guide

Charger Status	Plugged In	Standby	Charging/Fully Charged	Error Detected
Light	On for 5 sec	Off	On	Flashing

● If an error is detected:

1. This charger is only compatible with the iPhone 12 series and official MagSafe/HaloLock cases. Credit cards, stands, or other attachments on the back will also interfere with charging.
2. After confirming that your phone and case are compatible, unplug and plug in the charging cable again to resume normal charging.

Safety Warnings

1. To avoid damaging the device, do not attempt to disassemble it, expose it to an open flame, or submerge it in water.
2. Always check for damage to the device, cables, or other accessories before using the device. If damaged, do not use the device.
3. To avoid damaging the device, do not expose it to extremely hot, humid, or corrosive environments.
4. Do not expose the device to corrosive liquids, as they will seriously damage the device and void the warranty.
5. Do not attempt to disassemble or modify the device in any way, as it may cause serious damage and void the warranty.
6. Do not place the device in temperatures below 0°C (32°F) or above 60°C (140°F).

FCC ID:2APEW-2C502A

This device complies with Part 15 of the FCC Rules. Operation is subject to the following two conditions: (1) This device may not cause harmful interference and (2) this device must accept any interference received, including interference that may cause undesired operation.

• Warning: Changes or modifications to this unit not expressly approved by the party responsible for compliance could void the user's authority to operate the equipment.

• NOTE: This equipment has been tested and found to comply with the limits for a Class B digital device, pursuant to Part 15 of the FCC Rules. These limits are designed to provide reasonable protection against harmful interference in a residential installation. This equipment generates, uses and can radiate radio frequency energy and, if not installed and used in accordance with the instructions, may cause harmful interference to radio communications. However, there is no guarantee that interference will not occur in a particular installation. If the equipment does cause harmful interference to radio or television reception, which can be determined by turning the equipment off and on, the user is encouraged to try to correct the interference by one or more of the following measures:

- Reorient or relocate the receiving antenna.
- Increase the separation between the equipment and receiver.
- Connect the equipment into an outlet on a circuit different from that to which the receiver is connected.
- Consult the dealer or an experienced radio/TV technician for help.

This equipment complies with FCC RF radiation exposure limits set forth for an uncontrolled environment.

This equipment should be installed and operated with minimum distance 20cm between the radiator & your body.

IC:24790-2C502A

This equipment complies with IC RSS-102 radiation exposure limits set forth for an uncontrolled environment.

Cet équipement est conforme aux limites d'exposition aux radiations IC CNR-102 établies pour un environnement non contrôlé.

This device contains licence-exempt transmitter(s)/receiver(s) that comply with Innovation, Science and Economic Development Canada's licence-exempt RSS(s). Operation is subject to the following two conditions:

1. This device may not cause interference.
2. This device must accept any interference, including interference that may cause undesired operation of the device.

L'émission/réception exempt de licence contenu dans le présent appareil est conforme aux CNR d'Innovation, Sciences et Développement économique Canada applicables aux appareils radio exempts de licence. L'exploitation est autorisée aux deux conditions suivantes:

1. L'appareil ne doit pas produire de brouillage.
2. L'appareil doit accepter tout brouillage radioélectrique subi, même si le brouillage est susceptible d'en compromettre le fonctionnement.

This equipment should be installed and operated with a minimum distance of 20 cm between the radiator and your body.

Cet équipement doit être installé et utilisé avec une distance minimale de 20 cm entre le radiateur et votre corps.