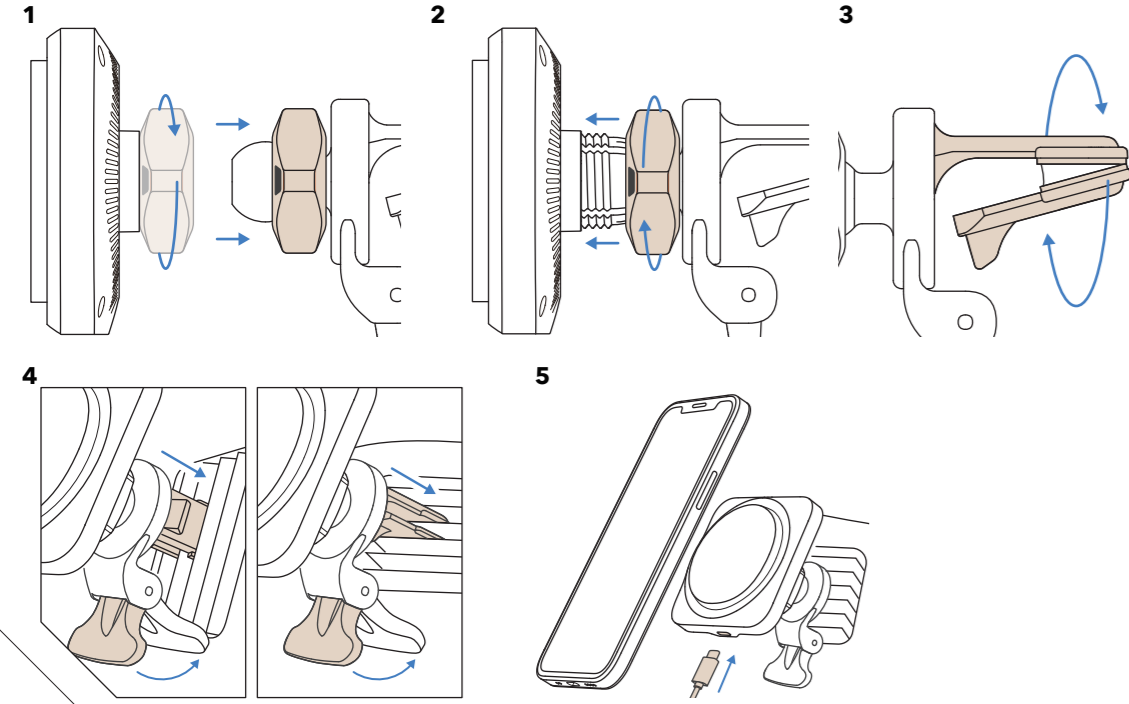


2B518 风冷车载无线充 QI2版说明书

168*102mm
128G双铜_4C印双面印 过哑油

物料编码: P1040195



EN
1. HaloLock™ charging pad
2. CryoBoost™ status light & vent
3. USB-C port
4. Air vent mount
5. CryoBoost™ intake

FR
1. Socle de chargement HaloLock™
2. Voyant & Refroidisseur du CryoBoost™
3. Port USB-C
4. Clip de ventilation
5. Admission d'air du CryoBoost™

IT
1. HaloLock™ pad di ricarica
2. Ventilatore / led di stato di raffreddamento CryoBoost™
3. Porta USB-C
4. Supporto per la boccchetta dell'aria
5. Ingresso d'aria CryoBoost™

ES
1. Plataforma de carga HaloLock™
2. Ventilador / led de estado de CryoBoost™
3. Puerto USB-C
4. Montaña para rejilla del aire
5. Respiradero CryoBoost™

PL
1. HaloLock™ ładująca podstawa
2. CryoBoost™ wskaźnik stanu i wentylacja wentylacyjna otwiera
3. Port USB-C
4. Kłomska wentylacyjna otwiera
5. CryoBoost™ wpułkowe otwiera

NL
1. HaloLock™ draadloos opladen gebied
2. Indicator & Luchtafvoer
3. USB-C aansluiting
4. Autohouder
5. Luchtafvoer

JP
1. HaloLock™充電パッド
2. CryoBoost™ステータスライト
3. USB-Cポート
4.エアコン吹き出しホルダー
5. CryoBoost™吸気口

TC
1. HaloLock™充電座
2. CryoBoost™狀態燈和通風口
3. USB-C 介口
4. 通風口安裝
5. CryoBoost™引氣口

AR
1. HaloLock™ ٲاد شحن
2. CryoBoost™ ٲاد إضاءة وإنباط
3. منفذ USB-C
4. حامل فتحة التهوية
5. فتحة سحب هواء CryoBoost™

EN
1. Ensure your phone supports wireless charging and there are no non-foreign objects like metal, magnets, or credit cards on the back of the phone.
2. Replace the car charger and check your phone. Then, reconnect the data cable and reset wireless charging to ensure proper function.

EN
1. Please use the included charging cable for the best results.
2. The product's input power is 9W=2.2A, with a maximum output of 15W. iPhones support up to 15W charging.
3. For a more efficient charging experience, use a PD20W or higher fast charging adapter.

EN
4. This product is compatible with iPhones that support MagSafe technology. Use your phone bare or with an official Apple MagSafe case or ESR MagSafe case for the best magnetic alignment. Non-MagSafe phone cases should use the included magnetic ring.

EN
1. Do not store the product in temperatures below 32°F (0°C) or above 140°F (60°C).
2. Do not throw the product into fire or water to avoid short-circuits, electrical leaks, or damage.
3. Inspect the product, charging cable, and other accessories for any damage before use. If you find any damage, stop using the product immediately.
4. Do not disassemble or modify this product for any reason, as this may cause malfunctions, damage, and/or lead to the ingestion of disassembled parts by children.
5. Avoid using the product in high-temperature, humid, or corrosive environments (e.g., saunas, hot tubs, pools, etc.).
6. This product contains magnets. As such, it should be kept at a safe distance from medical devices such as pacemakers and defibrillators at all times so as to avoid interference. If no wireless charging is working, a safe distance means at least 6 inches (15 cm). If you suspect interference, discontinue use of the product immediately and consult a doctor and/or the manufacturer of the medical device immediately.

FR
État de charge
Chargement en cours
Chargement complété
Erreur

IT
Stato di carica
In carica
Completamente carico
Errore

DE
Leitfaden zur LED Lichtanzeige
Status des Ladestandes
Laden
Vollständig geladen
Error

ES
Guía del indicador luminoso LED
Estado del cargador inalámbrico
En proceso de carga
Cargado
Tratamiento completado
Error

PT
Instruções de luz indicadores
Estado de carregamento sem fio
Ligado e em processo
Carregado
Tratamento concluído
Erro

RU
Системные индикаторы состояния
Состояние беспроводной зарядки
Включено
Полный заряд
Предупреждение о состоянии

EN
1. Before using the product, please check the following:
1. Assurez-vous que votre téléphone prend en charge le chargement sans fil et qu'il n'y a aucun objet étranger comme du métal, des aimants ou des cartes de crédit à l'arrière du téléphone.
2. Remplacez le chargeur de voiture et vérifiez votre téléphone. Ensuite, reconnectez le câble de données et réinitialisez le chargement sans fil pour garantir son bon fonctionnement.

EN
1. Please use the included charging cable for the best results.
2. The product's input power is 9W=2.2A, with a maximum output of 15W. iPhones support up to 15W charging.
3. For a more efficient charging experience, use a PD20W or higher fast charging adapter.
4. This product is compatible with iPhones that support MagSafe technology. Use your phone bare or with an official Apple MagSafe case or ESR MagSafe case for the best magnetic alignment. Non-MagSafe phone cases should use the included magnetic ring.

EN
1. Do not store the product in temperatures below 32°F (0°C) or above 140°F (60°C).
2. Do not throw the product into fire or water to avoid short-circuits, electrical leaks, or damage.
3. Inspect the product, charging cable, and other accessories for any damage before use. If you find any damage, stop using the product immediately.
4. Do not disassemble or modify this product for any reason, as this may cause malfunctions, damage, and/or lead to the ingestion of disassembled parts by children.
5. Avoid using the product in high-temperature, humid, or corrosive environments (e.g., saunas, hot tubs, pools, etc.).
6. This product contains magnets. As such, it should be kept at a safe distance from medical devices such as pacemakers and defibrillators at all times so as to avoid interference. If no wireless charging is working, a safe distance means at least 6 inches (15 cm). If you suspect interference, discontinue use of the product immediately and consult a doctor and/or the manufacturer of the medical device immediately.

EN
1. Before using the product, please check the following:
1. Assurez-vous que votre téléphone prend en charge le chargement sans fil et qu'il n'y a aucun objet étranger comme du métal, des aimants ou des cartes de crédit à l'arrière du téléphone.
2. Remplacez le chargeur de voiture et vérifiez votre téléphone. Ensuite, reconnectez le câble de données et réinitialisez le chargement sans fil pour garantir son bon fonctionnement.

EN
1. Please use the included charging cable for the best results.
2. The product's input power is 9W=2.2A, with a maximum output of 15W. iPhones support up to 15W charging.
3. For a more efficient charging experience, use a PD20W or higher fast charging adapter.
4. This product is compatible with iPhones that support MagSafe technology. Use your phone bare or with an official Apple MagSafe case or ESR MagSafe case for the best magnetic alignment. Non-MagSafe phone cases should use the included magnetic ring.

EN
1. Do not store the product in temperatures below 32°F (0°C) or above 140°F (60°C).
2. Do not throw the product into fire or water to avoid short-circuits, electrical leaks, or damage.
3. Inspect the product, charging cable, and other accessories for any damage before use. If you find any damage, stop using the product immediately.
4. Do not disassemble or modify this product for any reason, as this may cause malfunctions, damage, and/or lead to the ingestion of disassembled parts by children.
5. Avoid using the product in high-temperature, humid, or corrosive environments (e.g., saunas, hot tubs, pools, etc.).
6. This product contains magnets. As such, it should be kept at a safe distance from medical devices such as pacemakers and defibrillators at all times so as to avoid interference. If no wireless charging is working, a safe distance means at least 6 inches (15 cm). If you suspect interference, discontinue use of the product immediately and consult a doctor and/or the manufacturer of the medical device immediately.

EN
1. Before using the product, please check the following:
1. Assurez-vous que votre téléphone prend en charge le chargement sans fil et qu'il n'y a aucun objet étranger comme du métal, des aimants ou des cartes de crédit à l'arrière du téléphone.
2. Remplacez le chargeur de voiture et vérifiez votre téléphone. Ensuite, reconnectez le câble de données et réinitialisez le chargement sans fil pour garantir son bon fonctionnement.

EN
1. Please use the included charging cable for the best results.
2. The product's input power is 9W=2.2A, with a maximum output of 15W. iPhones support up to 15W charging.
3. For a more efficient charging experience, use a PD20W or higher fast charging adapter.
4. This product is compatible with iPhones that support MagSafe technology. Use your phone bare or with an official Apple MagSafe case or ESR MagSafe case for the best magnetic alignment. Non-MagSafe phone cases should use the included magnetic ring.

EN
1. Do not store the product in temperatures below 32°F (0°C) or above 140°F (60°C).
2. Do not throw the product into fire or water to avoid short-circuits, electrical leaks, or damage.
3. Inspect the product, charging cable, and other accessories for any damage before use. If you find any damage, stop using the product immediately.
4. Do not disassemble or modify this product for any reason, as this may cause malfunctions, damage, and/or lead to the ingestion of disassembled parts by children.
5. Avoid using the product in high-temperature, humid, or corrosive environments (e.g., saunas, hot tubs, pools, etc.).
6. This product contains magnets. As such, it should be kept at a safe distance from medical devices such as pacemakers and defibrillators at all times so as to avoid interference. If no wireless charging is working, a safe distance means at least 6 inches (15 cm). If you suspect interference, discontinue use of the product immediately and consult a doctor and/or the manufacturer of the medical device immediately.

PL
Instrukcja wskaźnika LED
Stan ładowności
Zadaniem Głowiczk
Ladowanie
Płasko nakładanie
Niekładnie nakładanie
LED
Niekładnie nakładanie

NL
Uitleg LED-indicatorlampjes
Opladen
Staan in Stand-by
Opnieuw opladen
Blauw, continu aan
Ademstand
Licht
Blauw, continu aan

KO
LED상태 안내
충전 상태
충전 중
충전 완료
비상

JP
LEDライティングゲーター
充電状態
充電中
充電完了
異常発生

SC
LED指示燈說明
充電狀態
充電中
充電完成
異常警告

TC
LED指示燈說明
充電狀態
充電中
充電完成
異常警告

EN
1. Before using the product, please check the following:
1. Assurez-vous que votre téléphone prend en charge le chargement sans fil et qu'il n'y a aucun objet étranger comme du métal, des aimants ou des cartes de crédit à l'arrière du téléphone.
2. Remplacez le chargeur de voiture et vérifiez votre téléphone. Ensuite, reconnectez le câble de données et réinitialisez le chargement sans fil pour garantir son bon fonctionnement.

EN
1. Please use the included charging cable for the best results.
2. The product's input power is 9W=2.2A, with a maximum output of 15W. iPhones support up to 15W charging.
3. For a more efficient charging experience, use a PD20W or higher fast charging adapter.
4. This product is compatible with iPhones that support MagSafe technology. Use your phone bare or with an official Apple MagSafe case or ESR MagSafe case for the best magnetic alignment. Non-MagSafe phone cases should use the included magnetic ring.

EN
1. Do not store the product in temperatures below 32°F (0°C) or above 140°F (60°C).
2. Do not throw the product into fire or water to avoid short-circuits, electrical leaks, or damage.
3. Inspect the product, charging cable, and other accessories for any damage before use. If you find any damage, stop using the product immediately.
4. Do not disassemble or modify this product for any reason, as this may cause malfunctions, damage, and/or lead to the ingestion of disassembled parts by children.
5. Avoid using the product in high-temperature, humid, or corrosive environments (e.g., saunas, hot tubs, pools, etc.).
6. This product contains magnets. As such, it should be kept at a safe distance from medical devices such as pacemakers and defibrillators at all times so as to avoid interference. If no wireless charging is working, a safe distance means at least 6 inches (15 cm). If you suspect interference, discontinue use of the product immediately and consult a doctor and/or the manufacturer of the medical device immediately.

EN
1. Before using the product, please check the following:
1. Assurez-vous que votre téléphone prend en charge le chargement sans fil et qu'il n'y a aucun objet étranger comme du métal, des aimants ou des cartes de crédit à l'arrière du téléphone.
2. Remplacez le chargeur de voiture et vérifiez votre téléphone. Ensuite, reconnectez le câble de données et réinitialisez le chargement sans fil pour garantir son bon fonctionnement.

EN
1. Please use the included charging cable for the best results.
2. The product's input power is 9W=2.2A, with a maximum output of 15W. iPhones support up to 15W charging.
3. For a more efficient charging experience, use a PD20W or higher fast charging adapter.
4. This product is compatible with iPhones that support MagSafe technology. Use your phone bare or with an official Apple MagSafe case or ESR MagSafe case for the best magnetic alignment. Non-MagSafe phone cases should use the included magnetic ring.

EN
1. Do not store the product in temperatures below 32°F (0°C) or above 140°F (60°C).
2. Do not throw the product into fire or water to avoid short-circuits, electrical leaks, or damage.
3. Inspect the product, charging cable, and other accessories for any damage before use. If you find any damage, stop using the product immediately.
4. Do not disassemble or modify this product for any reason, as this may cause malfunctions, damage, and/or lead to the ingestion of disassembled parts by children.
5. Avoid using the product in high-temperature, humid, or corrosive environments (e.g., saunas, hot tubs, pools, etc.).
6. This product contains magnets. As such, it should be kept at a safe distance from medical devices such as pacemakers and defibrillators at all times so as to avoid interference. If no wireless charging is working, a safe distance means at least 6 inches (15 cm). If you suspect interference, discontinue use of the product immediately and consult a doctor and/or the manufacturer of the medical device immediately.

EN
1. Before using the product, please check the following:
1. Assurez-vous que votre téléphone prend en charge le chargement sans fil et qu'il n'y a aucun objet étranger comme du métal, des aimants ou des cartes de crédit à l'arrière du téléphone.
2. Remplacez le chargeur de voiture et vérifiez votre téléphone. Ensuite, reconnectez le câble de données et réinitialisez le chargement sans fil pour garantir son bon fonctionnement.

EN
1. Please use the included charging cable for the best results.
2. The product's input power is 9W=2.2A, with a maximum output of 15W. iPhones support up to 15W charging.
3. For a more efficient charging experience, use a PD20W or higher fast charging adapter.
4. This product is compatible with iPhones that support MagSafe technology. Use your phone bare or with an official Apple MagSafe case or ESR MagSafe case for the best magnetic alignment. Non-MagSafe phone cases should use the included magnetic ring.

EN
1. Do not store the product in temperatures below 32°F (0°C) or above 140°F (60°C).
2. Do not throw the product into fire or water to avoid short-circuits, electrical leaks, or damage.
3. Inspect the product, charging cable, and other accessories for any damage before use. If you find any damage, stop using the product immediately.
4. Do not disassemble or modify this product for any reason, as this may cause malfunctions, damage, and/or lead to the ingestion of disassembled parts by children.
5. Avoid using the product in high-temperature, humid, or corrosive environments (e.g., saunas, hot tubs, pools, etc.).
6. This product contains magnets. As such, it should be kept at a safe distance from medical devices such as pacemakers and defibrillators at all times so as to avoid interference. If no wireless charging is working, a safe distance means at least 6 inches (15 cm). If you suspect interference, discontinue use of the product immediately and consult a doctor and/or the manufacturer of the medical device immediately.

EN
1. Before using the product, please check the following:
1. Assurez-vous que votre téléphone prend en charge le chargement sans fil et qu'il n'y a aucun objet étranger comme du métal, des aimants ou des cartes de crédit à l'arrière du téléphone.
2. Remplacez le chargeur de voiture et vérifiez votre téléphone. Ensuite, reconnectez le câble de données et réinitialisez le chargement sans fil pour garantir son bon fonctionnement.

EN
1. Please use the included charging cable for the best results.
2. The product's input power is 9W=2.2A, with a maximum output of 15W. iPhones support up to 15W charging.
3. For a more efficient charging experience, use a PD20W or higher fast charging adapter.
4. This product is compatible with iPhones that support MagSafe technology. Use your phone bare or with an official Apple MagSafe case or ESR MagSafe case for the best magnetic alignment. Non-MagSafe phone cases should use the included magnetic ring.

EN
1. Do not store the product in temperatures below 32°F (0°C) or above 140°F (60°C).
2. Do not throw the product into fire or water to avoid short-circuits, electrical leaks, or damage.
3. Inspect the product, charging cable, and other accessories for any damage before use. If you find any damage, stop using the product immediately.
4. Do not disassemble or modify this product for any reason, as this may cause malfunctions, damage, and/or lead to the ingestion of disassembled parts by children.
5. Avoid using the product in high-temperature, humid, or corrosive environments (e.g., saunas, hot tubs, pools, etc.).
6. This product contains magnets. As such, it should be kept at a safe distance from medical devices such as pacemakers and defibrillators at all times so as to avoid interference. If no wireless charging is working, a safe distance means at least 6 inches (15 cm). If you suspect interference, discontinue use of the product immediately and consult a doctor and/or the manufacturer of the medical device immediately.

EN
1. Before using the product, please check the following:
1. Assurez-vous que votre téléphone prend en charge le chargement sans fil et qu'il n'y a aucun objet étranger comme du métal, des aimants ou des cartes de crédit à l'arrière du téléphone.
2. Remplacez le chargeur de voiture et vérifiez votre téléphone. Ensuite, reconnectez le câble de données et réinitialisez le chargement sans fil pour garantir son bon fonctionnement.

EN
1. Please use the included charging cable for the best results.
2. The product's input power is 9W=2.2A, with a maximum output of 15W. iPhones support up to 15W charging.
3. For a more efficient charging experience, use a PD20W or higher fast charging adapter.
4. This product is compatible with iPhones that support MagSafe technology. Use your phone bare or with an official Apple MagSafe case or ESR MagSafe case for the best magnetic alignment. Non-MagSafe phone cases should use the included magnetic ring.

EN
1. Do not store the product in temperatures below 32°F (0°C) or above 140°F (60°C).
2. Do not throw the product into fire or water to avoid short-circuits, electrical leaks, or damage.
3. Inspect the product, charging cable, and other accessories for any damage before use. If you find any damage, stop using the product immediately.
4. Do not disassemble or modify this product for any reason, as this may cause malfunctions, damage, and/or lead to the ingestion of disassembled parts by children.
5. Avoid using the product in high-temperature, humid, or corrosive environments (e.g., saunas, hot tubs, pools, etc.).
6. This product contains magnets. As such, it should be kept at a safe distance from medical devices such as pacemakers and defibrillators at all times so as to avoid interference. If no wireless charging is working, a safe distance means at least 6 inches (15 cm). If you suspect interference, discontinue use of the product immediately and consult a doctor and/or the manufacturer of the medical device immediately.

EN
1. Before using the product, please check the following:
1. Assurez-vous que votre téléphone prend en charge le chargement sans fil et qu'il n'y a aucun objet étranger comme du métal, des aimants ou des cartes de crédit à l'arrière du téléphone.
2. Remplacez le chargeur de voiture et vérifiez votre téléphone. Ensuite, reconnectez le câble de données et réinitialisez le chargement sans fil pour garantir son bon fonctionnement.

EN
1. Please use the included charging cable for the best results.
2. The product's input power is 9W=2.2A, with a maximum output of 15W. iPhones support up to 15W charging.
3. For a more efficient charging experience, use a PD20W or higher fast charging adapter.
4. This product is compatible with iPhones that support MagSafe technology. Use your phone bare or with an official Apple MagSafe case or ESR MagSafe case for the best magnetic alignment. Non-MagSafe phone cases should use the included magnetic ring.

EN
1. Do not store the product in temperatures below 32°F (0°C) or above 140°F (60°C).
2. Do not throw the product into fire or water to avoid short-circuits, electrical leaks, or damage.
3. Inspect the product, charging cable, and other accessories for any damage before use. If you find any damage, stop using the product immediately.
4. Do not disassemble or modify this product for any reason, as this may cause malfunctions, damage, and/or lead to the ingestion of disassembled parts by children.
5. Avoid using the product in high-temperature, humid, or corrosive environments (e.g., saunas, hot tubs, pools, etc.).
6. This product contains magnets. As such, it should be kept at a safe distance from medical devices such as pacemakers and defibrillators at all times so as to avoid interference. If no wireless charging is working, a safe distance means at least 6 inches (15 cm). If you suspect interference, discontinue use of the product immediately and consult a doctor and/or the manufacturer of the medical device immediately.



Scan to watch a quick setup video
Scannen Sie, um ein Video zur schnellen Einrichtung anzusehen
スキャンして簡単セットアップビデオを見る

正面