

WARRANTY INFORMATION

Your 'Tronsmart Element Mega Bluetooth Speaker' is warranted to the original owner for 1 year from the date of purchase against defects in material and workmanship under normal use and service. Should your speaker prove defective within 1 year from the date of purchase, return the defective part or unit, freight prepaid along with an explanation of the claim. Please pack your speaker carefully to avoid damages in transit. Under this warranty, Tronsmart will repair or replace any parts found to be defective due to manufacturer's defect. This warranty extends only to personal use and does not extend to any product that has been used for commercial use, rental use, or use which is not intended. There are no warranties other than that expressly set forth herein. This warranty is not transferable. Tronsmart is not responsible in any way for damages, losses or inconveniences caused by equipment failure or user negligence, abuse, or use not in accordance with the 'User Manual' or any additional safety, use, or warnings included in the product materials. Further, Tronsmart is not liable for incidental or consequential damages of any nature resulting from the use of this product and any liability shall not exceed the purchase price of the product.

This Warranty gives you specific legal rights. You may also have other rights which vary from state to state.

THIS WARRANTY DOES NOT APPLY TO THE FOLLOWING

- Damage due to accident, misuse, abuse, alterations or vandalism.
 - Improper or inadequate maintenance.
 - Unauthorized modifications or commercial use.
 - Damage in return transit.
 - Unsupervised use by children under 18 years of age.
- (Tronsmart™ and its subsidiaries assume no liability for damage caused by the use of the Element Mega Bluetooth Speaker other than for its intended use or as instructed above in the User Manual.

CARE & MAINTENANCE

Please keep this manual handy for future reference. To clean the Tronsmart Element Mega Bluetooth Speaker use a lightly dampened cloth in water to clean the exterior in-case it gets dirty. Do not use any form of detergents or cleaning material to clean this speaker, any type of chemical may make this device unusable. Do not disassemble this product. It contains no user serviceable parts. Do not drop or jump on it, treat it with care for the best performance. Keep the speaker in a dry location. Dust, dirt & moisture from humidity can accumulate on the body of the speaker if kept at an unfriendly place. Do not dispose this product in fire, batteries may explode or leak.

FCC Statement

This device complies with Part 15 of the FCC rules. Operation is subject to the following two conditions: 1) this device may not cause harmful interference, and 2) this device must accept any interference received, including interference that may cause undesired operation.

Note: This equipment has been tested and found to comply with the limits for a Class B digital device, pursuant to part 15 of the FCC Rules. These limits are designed to provide reasonable protection against harmful interference in a residential installation. This equipment generates uses and can radiate radio frequency energy and, if not installed and used in accordance with the instructions, may cause harmful interference to radio communications. However, there is no guarantee that interference will not occur in particular installation. If this equipment does cause harmful interference to radio or television reception, which can be determined by turning the equipment off and on, the user is encouraged to try to correct the interference by one or more of the following measures:

- Reorient or relocate the receiving antenna.
 - Increase the separation between the equipment and receiver.
 - Connect the equipment into an outlet on a circuit different from that to which the receiver is connected.
 - Consult the dealer or an experienced radio/TV technician for help.
- Changes or modifications not expressly approved by the party responsible for compliance could void the user's authority to operate the equipment.

FCC Radiation Exposure Statement

This device complies with FCC RF radiation exposure limits set forth for an uncontrolled environment. This transmitter must not be co-located or operating in conjunction with any other antenna or transmitter.

**Bluetooth Speaker
USER MANUAL**

T3PRO



Table of Contents

1. INTRODUCTION1

2. SPECIFICATION1

3. FEATURES1

4. BUTTON CONFIGURATION2

5. TWS3

6. WARRANTY INFORMATION4

7. CARE & MAINTENANCE5

INTRODUCTION

Thank you for choosing Tronsmart Element Mega Bluetooth Speaker. Please read this user manual carefully in order to operate this device in the correct manner.

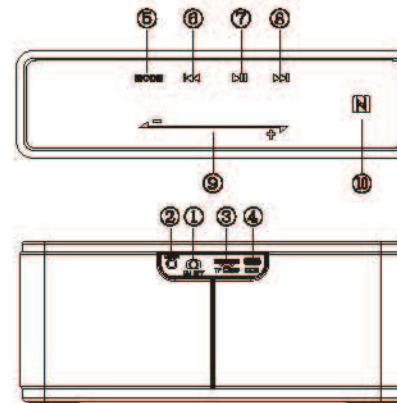
SPECIFICATIONS

Model	T3PRO
Bluetooth	4.2
Transmission Range	≥20m (Open field)
Output Power	20W X 2
Battery	3.7V/3300mAh x 2
Power Supply	5V/2.1A
Frequency Response	115Hz-18KHz
Distortion	≤1.0%
Driver Unit	4Ω20W/53mm
Playtime	Up to 15 hours

FEATURES

- Mega features a touch panel with intuitive slide controls.
- 28 core high-fidelity large subwoofer horn capable of producing louder output up to 40W
- 3D digital sound integrated with DSP technology for pitch perfect output in any setting of your living environment.
- It features Bluetooth 4.2 which ranges up to 20m with your compatible paired device.
- Compatible with True Wireless Stereo (TWS)
- Supports NFC.

BUTTON CONFIGURATION



- ① **ON/OFF** - Push to turn ON/OFF.
- ② **LINE IN** - Connect via 3.5mm AUX cable to your compatible device.
- ③ **TF Card Slot** - Supports up to 64GB capacity microSD card.
- ④ **DC IN** - Micro USB charging port.
- ⑤ **Mode** - Select modes between Bluetooth/TF Card/LINE IN.
- ⑥ **⏮** - Switch to previous track.
- ⑦ **⏸** - Play/Pause while connected via Bluetooth or while playing through TF Card. Answer or hang-up phone calls when paired to your smartphone.
- ⑧ **⏭** - Switch to next track.
- ⑨ **🔊** - Slide right to increase the volume & slide left to reduce the volume.
- ⑩ **■** - Touch to connect via NFC.

What is TWS?

TWS means True wireless stereo. Let's say two Bluetooth speakers are able to be paired and playing music synchronously.

How to Pair?

1. Turn on both devices. Do not pair your Bluetooth device to your speaker yet.
2. Select either of the speakers. Press "MODE" button for 2 seconds until you hear indicator tone.
3. When successfully paired, a tone will sound. The LED indication light on one speaker will stay blue (right-channel or the slave speaker) and the other speaker will flash blue (left-channel or the master speaker).
4. Select the searching mode on your device (refer to our owner's manual for details). When your device finds "Mega", select it and connect.
5. The LED indication lights on both speakers will turn blue when your device is connected. They will perform as the stereo sounding system.
6. Once the speakers are well paired at the first time, they will be automatically paired next time without the above pairing operation.
7. If the speaker used to be paired as TWS, It is suggested to press "Play/Pause" button for 5 seconds to forcibly cut off the power (to restore the factory default settings), Then turn on the speaker again.

NOTE: When there is an incoming phone call, either speaker is able to receive phone calls but only the "master" speaker will talk.