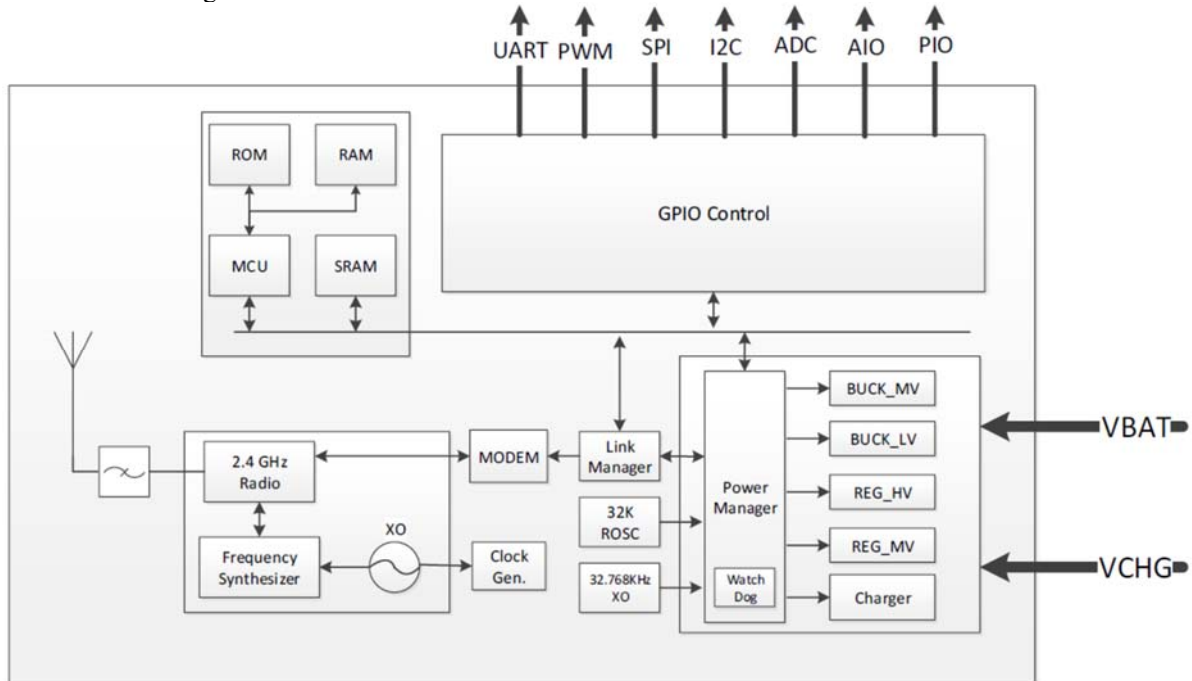


Operational Description

1. Block Diagram :



2. This This specification covers Bluetooth module which complies with Bluetooth specification version 4.2 and integrates RF & Baseband controller in small package. This Module has deployed Airoha AB1122 chipset.
3. Power Supply : DC 3.0 V
4. Operation Frequency : 2402 ~ 2480 MHz
5. Channel Spacing : 1 MHz (BDR/EDR) / 2 MHz (BLE)
6. Number of Channels : 79 (BDR/EDR) / 40 (BLE)
7. Modulation Type : FHSS
8. Antenna Type & Gain: PCB Pattern Antenna with Max Gain -0.63 dBi
9. Crystal : 16MHz
(This crystal provides a clock signal for RF chip.)