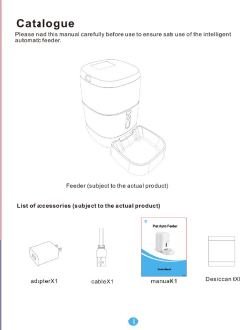


Smart Pet Feeder

Product Manual

Catalogue

Please read the manual carefully before use to ensure safe use of the intelligent automatic feeder.

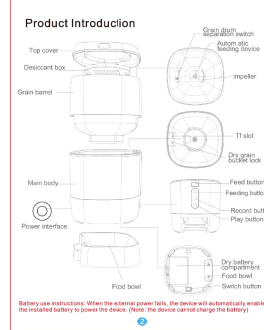


Feeder (subject to the actual product)

List of accessories (subject to the actual product)

- filter*1
- filter*1
- manual*1
- Device ID

Product Introduction



Top cover
Descrator box
Grain barrel
Main body
Power indicator

Grain drum separation switch
Autom. elec. feeding device
Inlet port
TI skirt
Dry battery compartment
Feeding button
Record button
Play button
Dry battery compartment
Switch button

Battery use instructions: When the external power fails, the device will automatically enable the installed battery to power the device. (Note: the device cannot charge the battery)

Operation Guide

1. The first use

- Remove the top cover of the feeder and remove the power cord adapter from the feeder.
- Plug the power cord into the power connector on the rear of the main unit and connect the adapter to power.
- Place the main unit in a horizontal position and the food bowl is installed at the corresponding position of the main unit.
- Adjust the grain barrel to the desired level.
- The device will be in the standby state by default. Please replace it regularly for long-term use (do not be charging).
- The battery compartment can be installed with 2 pieces of No. 1 battery for manual feeding.
- Press the Feeding button.
- Press the Record button.
- Press the Play button.

2. The feeder description

Feeding: Short press to set one, long press for 5 seconds to restore the factory settings.

Record: Press and hold the "Record button" to record the sound to remind the pet to go home feeding.

Play: Press the "Play button" to record sound.


Power: Feeder switch.

Dry battery compartment: These "1" batteries can be installed for power supply.

3. Bind Smart Life APP

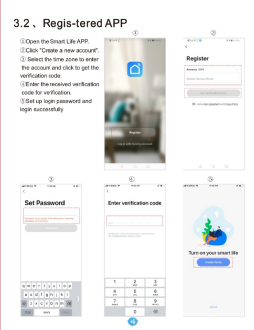
3.1 APP download and installation

Scan the QR code below to download the Smart Life app and complete the installation.



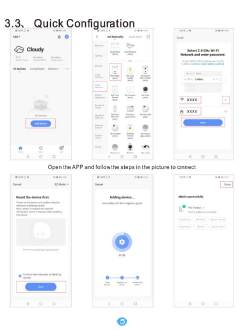
3.2 - Register APP

- Open the Smart Life APP.
- Click "Create a new account".
- Select the time zone to enter the account and click "I agree" to get the verification code.
- Enter the received verification code for verification.
- Set up login password and login successfully.

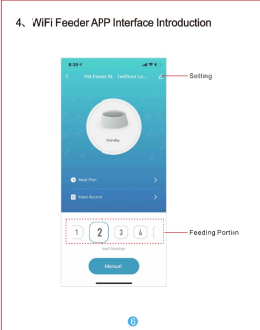


3.3. Quick Configuration

Open the APP and follow the steps in the picture to connect:



4. WiFi Feeder APP Interface Introduction

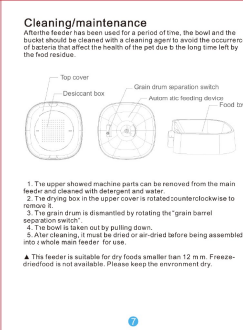


Setting

Feeding Portion

Cleaning/maintenance

After the feeder has been used for a period of time, the bowl and the bucket should be cleaned with a cleaning agent to avoid the occurrence of bacteria that affect the health of the pet due to the long time left by the food residue.



- The upper showed machine parts can be removed from the main feeder and cleaned with detergent and water.
- The drying box in the upper cover is rotated counterclockwise to rotate it.
- The grain drum is dismantled by rotating the "grain barrel separation switch".
- The bowl is taken out by pulling down.
- After cleaning, it must be dried and air-dried before being assembled into a whole main feeder for use.

▲ This feeder is suitable for dry foods smaller than 12 mm. Freeze-dried food is not available. Please keep the environment dry.

Attentions

- Please place the device correctly: prevent the pet from tipping over the device. This device is only suitable for small and medium pets under 20kg.
- Please replace the descator box regularly: no descator is needed.
- Please keep the food bucket dry and sealed, and check regularly to ensure food hygiene.
- Do not stop or substances other than pet dry food into the grain bin. Otherwise, the device may be used abnormally even cause pet safety problems.
- To prevent the pet from falling over the product, it is recommended to place the corner or against the wall.
- The product and battery (should be installed as concealed as possible) to prevent the equipment from being damaged by the pet biting the wire.
- Equipment are using this device, be sure to use a under cold guidance.
- After installing the spare dry battery, you can manually operate the device to provide normal power supply during power failure.
- Regularly clean the food bucket and food bowl.
- This device is not recommended for young pets within three months.

Maintenance records:

Maintenance time: _____

Fault location: _____

Fault reason: _____

Trouble shooting: _____

Reason and change part: _____

Date of validity: _____

Original device ID: _____

New device ID: _____

Maintenance personnel signature: _____

Maintenance Department seal: _____

FAQ

Q: The feeders not connected, what is the problem, what to do?

A: 1 Check if the receiver is normal: Check the status of the device indicator. After the power is turned on, the blue indicator light flashes. When the network is connected, it will be on. There will be a ping tone before the network is configured.

2 Check if the WiFi username and password are correct: WiFi username and password cannot have special characters. It is recommended to use English letters + number signs.

3 Contact the software and install the software: Please authorize the APP to obtain the location information and accept the relevant permissions during the installation process. Follow the above steps, and enter the correct address; if you still have difficulties, please contact customer service.

Q: When connecting the feeder, sometimes it can be connected normally, sometimes not, how to use with it?

A: Check if the main unit's food outlet is blocked. At this time, the blue indicator is always on.

Q: Why does the feeding time (by) vary by several seconds from the current time?

A: The parameters set in the APP will have an error of about 30 seconds, depending on the timing of the network environment.

Q: How to quickly reconnect after the network is disconnected?

A: 1 Set the APP and receiver, read the device update.

2 Refresh from the feeding interface to the video interface and wait for the video to refresh.

Q: How to troubleshoot for device stop?

A: The feeder will use a self signal that satisfies the well 802.11g protocol.

FCC Statement:

This equipment has been tested and found to comply with the limits for a Class B digital device, pursuant to part 15 of the FCC Rules. These limits are designed to provide reasonable protection against harmful interference in a residential installation. This equipment generates, uses and can radiate radio frequency energy and, if not installed and used in accordance with the instructions, may cause harmful interference to radio communication. However, there is no guarantee that interference will not occur in a particular installation. If this equipment does cause harmful interference to radio or television reception, which can be determined by turning the equipment off and on, the user is encouraged to try to correct the interference by one of the following measures:

- Reorient or relocate the receiving antenna.
- Increase the separation between the equipment and receiver.
- Connect the equipment into an outlet on a circuit different from that to which the receiver is connected.
- Consult the dealer or an experienced radio/TV technician for help.

Caution: Any changes or modifications to this device not explicitly approved by the manufacturer, void any FCC certification. Operation is subject to the following two conditions: (1) This device may not cause harmful interference, and (2) this device must accept any interference received, including interference that may cause undesired operation.

RF Exposure Information:

This equipment complies with FCC radiation exposure limits set forth for an uncontrolled environment. This equipment should be installed and operated with minimum distance 20cm between the radiator and body.

单页尺寸: 100*127mm