



Hearing Aid Compatibility (HAC) RF Emissions Test Report

APPLICANT : Hot Pepper, Inc.
PRODUCT NAME : 4G Smart Phone
MODEL NAME : HPP-GS1
BRAND NAME : Hot Pepper
FCC ID : 2APD4-A81C
STANDARD(S) : 47CFR 20.19
ANSI C63.19-2011
RECEIPT DATE : 2019-03-12
TEST DATE : 2019-03-24
ISSUE DATE : 2019-04-03

Edited by: Liang Yumei
Liang Yumei (Rapporteur)

Approved by: Peng Huarui
Peng Huarui (Supervisor)

NOTE: This document is issued by MORLAB, the test report shall not be reproduced except in full without prior written permission of the company. The test results apply only to the particular sample(s) tested and to the specific tests carried out which is available on request for validation and information confirmed at our website.





DIRECTORY

1. Attestation of Testing Summary	5
2. Technical Information.....	6
2.1. Applicant and Manufacturer Information.....	6
2.2. Equipment under Test (EUT) Description.....	6
2.3. Photographs of the EUT.....	8
2.4. Applied Reference Documents	8
3. RF Audio Interference Level.....	9
4. Air Interface and Operating Mode	10
5. HAC (RF) Measurement System	12
5.1. RF Measurement Setup.....	12
5.2. E-Field Probe	13
5.3. Data Acquisition Electronics (DAE).....	14
6. RF Measurement Procedure.....	15
6.1. General Guidance	15
6.2. RF Test Instructions	16
7. Test Equipment List.....	18
8. System Validation	19
8.1. Test setup.....	19
8.2. Validation Result.....	20
9. Modulation Interference Factor	21
10. Conducted Power	24
11. Low-power Exemption	26
12. Summary Test Results	27
13. Uncertainty Assessment.....	28
Annex A General Information	



REPORT No.: SZ19030080S01

Annex B Test Setup Photos
Annex C Plots of Performance System Check
Annex D Plots of RF Emission Test Results
Annex E DASY Calibration Certificate



Change History		
Version	Date	Reason for change
1.0	2019-04-03	First edition



1. Attestation of Testing Summary

Air Interface	Frequency Band	E-field M-Rating
GSM CMRS Voice	GSM850	M4
	GSM1900	M4
CDMA	CDMA2000 BC0	M4
	CDMA2000 BC1	M4
	CDMA2000 BC10	M4
LTE	LTE Band 41	M4



2. Technical Information

Note: Provide by Applicant.

2.1. Applicant and Manufacturer Information

Applicant:	Hot Pepper, Inc.
Applicant Address:	5151 California Ave., Suite 100, Irvine 92617, USA
Manufacturer:	Hot Pepper, Inc.
Manufacturer Address:	5151 California Ave., Suite 100, Irvine 92617, USA

2.2. Equipment under Test (EUT) Description

EUT Type:	4G Smart Phone
Hardware Version:	A81C_MAINBOARD_P1
Software Version:	HPP-GS1-V1.0.4-190121
Frequency Bands:	GSM 850: 824.2 MHz ~ 848.8 MHz GSM 1900: 1850.2 MHz ~ 1909.8 MHz WCDMA Band II: 1852.4 MHz ~ 1907.6 MHz WCDMA Band IV: 1710 MHz ~ 1755 MHz WCDMA Band V: 826.4 MHz ~ 846.6 MHz CDMA2000 BC 0: 824.7 MHz ~ 848.31 MHz CDMA2000 BC 1: 1850 MHz ~ 1910 MHz CDMA2000 BC 10: 806 MHz ~ 901 MHz LTE Band 2: 1850 MHz ~ 1910 MHz LTE Band 4: 1710 MHz ~ 1755 MHz LTE Band 5: 824 MHz ~ 849 MHz LTE Band 7: 2500 MHz ~ 2570 MHz LTE Band 12: 699 MHz ~ 716 MHz LTE Band 13: 777 MHz ~ 787 MHz LTE Band 14: 787 MHz ~ 798 MHz LTE Band 17: 704 MHz ~ 716 MHz LTE Band 25: 1850 MHz ~ 1915 MHz LTE Band 26: 814 MHz ~ 849 MHz LTE Band 41: 2496 MHz ~ 2690 MHz LTE Band 66: 1710 MHz ~ 1780 MHz LTE Band 71: 665.5 MHz ~ 695.5 MHz WLAN 2.4GHz: 2412 MHz ~ 2462 MHz WLAN 2.4GHz: 2412 MHz ~ 2462 MHz WLAN 5.2GHz: 5180 MHz ~ 5240 MHz



	WLAN 5.3GHz: 5260 MHz ~ 5320 MHz WLAN 5.5GHz: 5500 MHz ~ 5720 MHz WLAN 5.8GHz: 5745 MHz ~ 5825 MHz Bluetooth: 2402 MHz ~ 2480 MHz	
Modulation Mode:	GSM/GPRS: GMSK, EDGE: 8PSK WCDMA: QPSK/16QAM CDMA2000 1XRTT: QPSK CDMA2000 1XEV-DO: QPSK LTE: QPSK/16QAM/64QAM 802.11b: DSSS 802.11a/g/n-HT20/HT40/ac-VHT40/VHT80: OFDM Bluetooth BR+EDR: GFSK, $\pi/4$ -DQPSK, 8-DPSK Bluetooth LE: GFSK	
Antenna type:	PIFA Antenna	
Battery:	Manufacturer:	SHENZHEN HUATIAN TONG TECHNOLOGY CO., LTD
	Model Name:	H2019GS1
	Manufacturer:	Shenzhen Nine Liyuan Electronic Technology Co., Ltd
	Model Name:	H2019GS1A
	Capacity:	3850mAh
	Rated Voltage:	3.8V
SIM cards description:	For dual SIM card version, both the SIM 1 and SIM 2 are the same chipset unit and tested as a single chipset, the SIM 1 was selected for test.	



2.3. Photographs of the EUT

Note: Please refer to the External Photos for the Photos of the EUT

2.4. Applied Reference Documents

Leading reference documents for testing:

No.	Identity	Document Title
1	47 CFR§20.19	Hearing aid-compatible mobile handsets.
2	ANSI C63.19-2011	American National Standard Methods of Measurement of Compatibility between Wireless Communications Devices and Hearing Aids
3	KDB 285076 D01 v05	HAC Guidance

3. RF Audio Interference Level

FCC wireless hearing aid compatibility rules ensure that consumers with hearing loss are able to access wireless communications services through a wide selection of handsets without experiencing disabling radio frequency (RF) interference or other technical obstacles. To define and measure the hearing aid compatibility of handsets, in CFR47 part 20.19 ANSI C63.19 is referenced.

A handset is considered hearing aid-compatible for acoustic coupling if it meets a rating of at least M3 under ANSI C63.19, and A handset is considered hearing aid compatible for inductive coupling if it meets a rating of at least T3. According to ANSI C63.19 2011 version, for acoustic coupling, the RF electric field emissions of wireless communication devices should be measured and rated according to the emission level as below.

Table 3.1 WD RF audio Interference level categories in logarithmic units

Emission Categories	E-field Emissions	
	<960MHz	>960MHz
M1	50 to 55 dB (V/m)	45 to 50 dB (V/m)
M2	45 to 50 dB (V/m)	35 to 40 dB (V/m)
M3	40 to 45 dB (V/m)	30 to 35 dB (V/m)
M4	<40 dB (V/m)	<30 dB (V/m)

Table 3.2 System performance classification table

System classification	Category sum
	Hearing aid category + telephone category
Usable	Hearing aid category + telephone category = 4
Normal use	Hearing aid category + telephone category = 5
Excellent performance	Hearing aid category + telephone category = ≥6

4. Air Interface and Operating Mode

Air Interface	Band	Transport Type	Simultaneous Transmitter	Name of Voice Service	Power Reduction
GSM	GSM850	VO	WLAN&BT	CMRS Voice	No
	GSM1900				No
	EDGE850	DT	WLAN&BT	N/A	No
	EDGE1900				No
WCDMA (UMTS)	Band II	VO	WLAN&BT	CMRS Voice	No
	Band IV				No
	Band V				No
CDMA	BC0	VO	WLAN&BT	CMRS Voice	No
	BC1	VO	WLAN&BT	CMRS Voice	No
	BC10	VO	WLAN&BT	CMRS Voice	No
	EVDO	DT	WLAN&BT	N/A	No
FDD-LTE	Band 2	VD	WLAN&BT	VoLTE	No
	Band 4				No
	Band 5				No
	Band 7				No
	Band 12				No
	Band 13				No
	Band 14				No
	Band 17				No
	Band 25				No
	Band 26				No
	Band 66				No
Band 71	No				
TDD-LTE	Band 41	VD	WLAN&BT	VoLTE	No
WiFi	2450	DT	GSM, LTE, CDMA, WCDMA	N/A	No
	5200 (U-NII-1)				No
	5300 (U-NII-2A)				No
	5500 (U-NII-2C)				No
	5800 (U-NII-3)				No
BT	2450	DT	GSM, LTE, CDMA, WCDMA	N/A	No
Where:					
VO=Voice Only					



DT=Digital Transport only
VD=CMRS and IP Voice Service over Digital Transport
BT=Bluetooth
* Ref Lev in accordance with 7.4.2.1 of ANSI C63.19-2011 and the July 2012 VoLTE interpretation
** Ref Lev -20 dBm0
*** Ref Lev XYNet established by KDB Inquiry NNNNNN @ -16 dBm0

Note:

- 1) Air Interface/Band MHz: List of all air interfaces and bands supported by the handset.
- 2) Type: For each air interface, indicate the type of voice transport mode:
 - i. VO = legacy Cellular Voice Service, from Table 7.1 in 7.4.2.1 of ANSI C63.19-2011;
 - ii. DT = Digital Transport only (no voice); and
 - iii. VD = IP Voice Service over Digital Transport.
- 3) Simultaneous Transmitter: Indicate any air interface/bands that operate in simultaneous or concurrent service transmission mode.
- 4) Name of Voice Service: See Q4 in 285076 D03 HAC FAQ for further clarification.
 - a) Ref Lev in accordance with 7.4.2.1 of ANSI C63.19-2011 and the July 2012 VoLTE interpretation
 - b) ** Ref Lev -20 dBm0
 - c) *** Ref Lev XYNet established by KDB Inquiry NNNNNN @ -16 dBm0
- 5) Power Reduction: If the 1900 MHz band GSM air interface was tested using the option to reduce the power, state in the test report the maximum power in the 1900 MHz band, and the reduced power used for testing compliance to demonstrate compliance to the requirement that power be reduced by no more than 2.5 dB.

5. HAC (RF) Measurement System

5.1. RF Measurement Setup

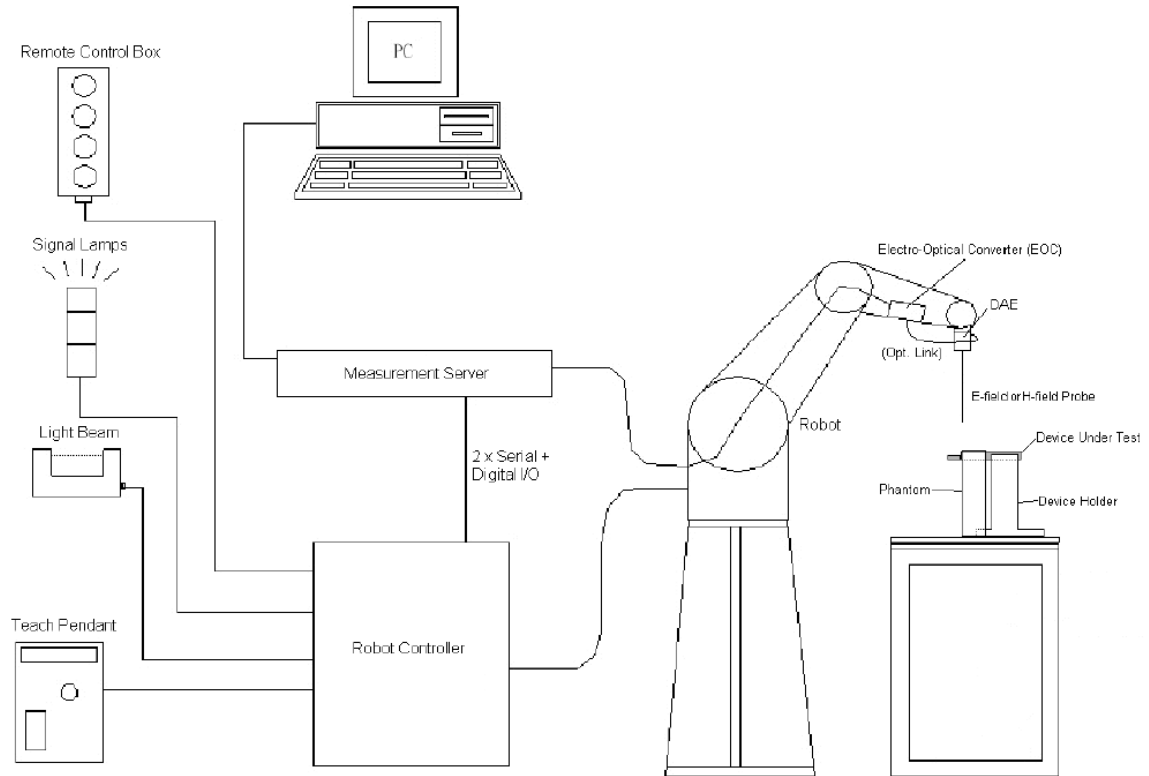



Fig 5.1 SPEAG RF System Configurations

5.2. E-Field Probe

The RF measurement is conducted with the dosimetric probe (manufactured by SPEAG). The probe is specially designed and calibrated for use with high permittivity. The dosimetric probe has special calibration at different frequency. This probe has a built in optical surface detection system to prevent from collision with phantom.

E-Field Probe Specification

<ER3DV6>

Construction	One dipole parallel, two dipoles normal to probe axis Built-in shielding against static charges	 <p style="text-align: center;">Fig 5.2 Photo of ER3DV6</p>
Calibration	In air from 100 MHz to 3.0 GHz (Absolute accuracy $\pm 6.0\%$, $k=2$)	
Frequency	10 MHz to 6 GHz; Linearity: ± 0.2 dB	
Directivity	± 0.2 dB in HSL (rotation around probe axis) ± 0.4 dB in HSL (rotation normal to probe axis)	
Dynamic Range	2 V/m to 1000 V/m (M3 or better device readings fall well below diode compression point)	
Linearity	± 0.2 dB	
Dimensions	Overall length: 330 mm (Tip: 16 mm) Tip diameter: 8 mm (Body: 12 mm) Distance from probe tip to dipole centers: 2.5 mm	

Probe Tip Description:

HAC field measurements take place in the close near field with high gradients. Increasing the measuring distance from the source will generally decrease the measured field values (in case of the validation dipole approx. 10% per mm).

5.3. Data Acquisition Electronics (DAE)

The data acquisition electronics(DAE) consists of a highly sensitive electrometer-grade preamplifier with auto-zeroing, a channel and gain-switching multiplexer, a fast 16 bit AD-converter and a command decoder and control logic unit. Transmission to the measurement server is accomplished through an optical downlink for data and status information as well as an optical uplink for commands and the clock. The input impedance of the DAE is 200 MOhm; the inputs are symmetrical and floating. Common mode rejection is above 80 dB.



Fig 5.3 Photo of DAE



6. RF Measurement Procedure

6.1. General Guidance

Referenced from ANSI C63.19 -2011 section 5.5.1:

1. Confirm the proper operation of the field probe, probe measurement system, and other instrumentation and the positioning system.
2. Position the WD in its intended test position.
3. Set the WD to transmit a fixed and repeatable combination of signal power and modulation characteristic that is representative of the worst case (highest interference potential) encountered in normal use. Transiently occurring start-up, changeover, or termination conditions, or other operations likely to occur less than 1% of the time during normal operation, may be excluded from consideration. Transiently occurring start-up, changeover, or termination conditions, or other operations likely to occur less than 1% of the time during normal operation, may be excluded from consideration.
4. The center sub-grid shall be centered on the T-Coil mode perpendicular measurement point or the acoustic output, as appropriate. Locate the field probe at the initial test position in the 50 mm by 50 mm grid, which is contained in the measurement plane, refer to illustrated in Figure 8.2. If the field alignment method is used, align the probe for maximum field reception.
5. Record the reading at the output of the measurement system.
6. Scan the entire 50 mm by 50 mm region in equality spaced increments and record the reading at each measurement point, The distance between measurement points shall be sufficient to assure the identification of the maximum reading.
7. Identify the five contiguous sub-grids around the center sub-grid whose maximum reading is the lowest of all available choices. This eliminates the three sub-grids with the maximum readings. Thus, the six areas to be used to determine the WD's highest emissions are identified.
8. Identify the maximum reading within the non-excluded sub-grids identified in step 7).
9. Convert the maximum reading identified in step 8) to RF audio interference level, in, V/m, by taking the square root of the reading and then dividing it by the measurement system transfer function, established in ANSI C63.19 -2011 section 5.5.1.1. Convert the result to dB(V/m) by taking the base-10 logarithm and multiplying it by 20. Expressed as a formula:

$$\text{RF audio interference level in dB(V/m)} = 20 \times \log(R_{\max}^{1/2}/TF),$$

where R_{\max} is the maximum reading.

10. The RF audio interference level in dB (V/m) is obtained by adding the MIF (in dB) to the maximum steady-state rms field-strength reading, in dB (V/m)
11. Compare this RF audio interference level with the categories in ANSI C63.19-2011 clause 8 and record the resulting WD category rating.

6.2. RF Test Instructions

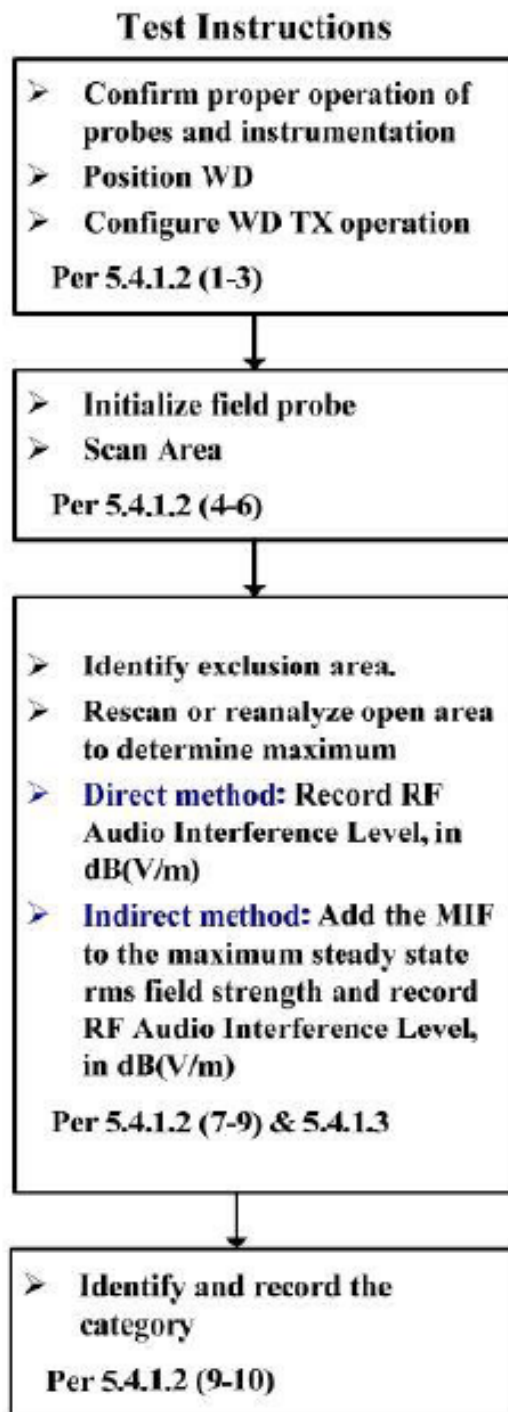


Fig 6.1 WD near-field emission scan flowchart

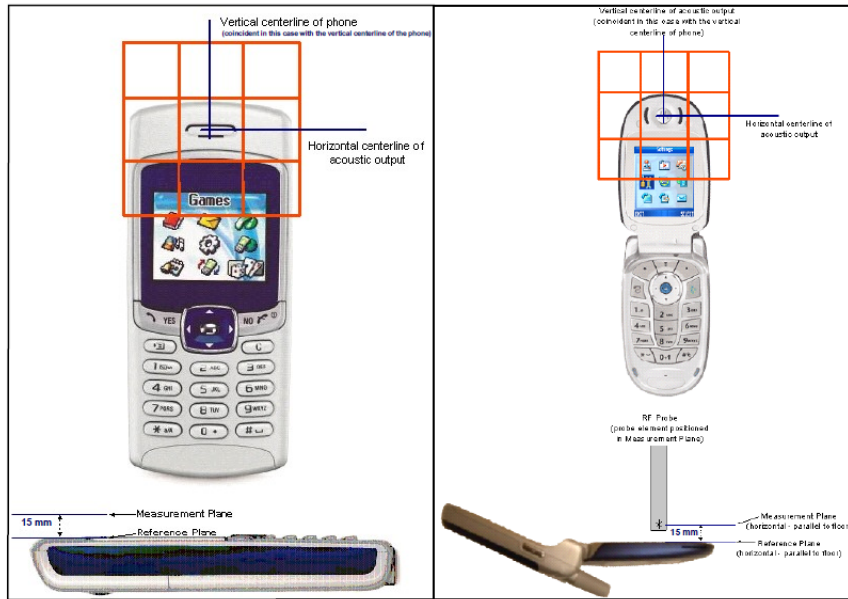


Fig 6.2 WD reference and plane for RF emission measurements

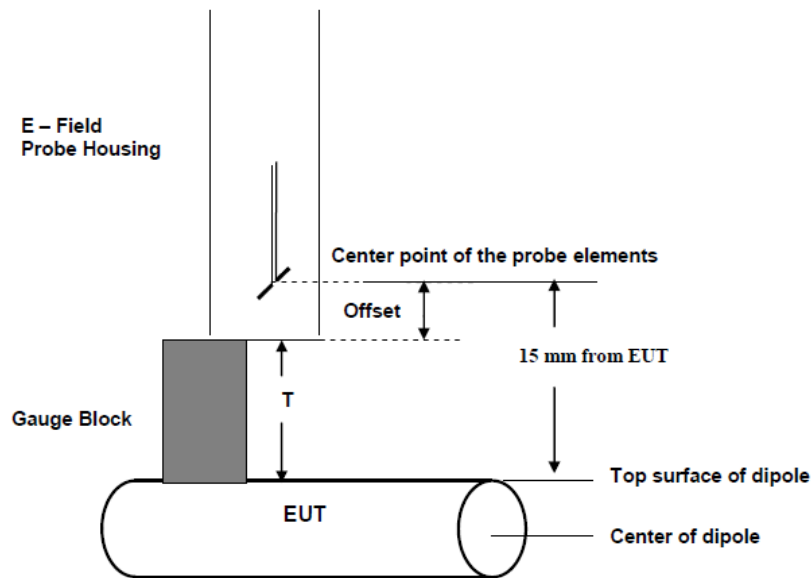


Fig 6.3 Gauge block with E-field probe



7. Test Equipment List

Manufacturer	Name of Equipment	Type/Model	Serial Number	Calibration	
				Last Cal.	Due Date
SPEAG	Isotropic E-Field Probe	ER3DV6	2434	2018.10.18	2019.10.17
SPEAG	Audio Holder	N/A	1094	NCR	NCR
SPEAG	835MHz Calibration Dipole	CD835V3	1113	2018.10.23	2019.10.22
SPEAG	1880MHz Calibration Dipole	CD1880V3	1111	2018.10.23	2019.10.22
SPEAG	2600MHz Calibration Dipole	CD2600V3	1010	2018.10.23	2019.10.22
SPEAG	Data Acquisition Electronics	DAE4	480	2018.10.29	2019.10.28
R&S	Network Emulator	CMU200	107082	2018.04.17	2019.04.16
R&S	Network Emulator	CMW500	124534	2018.04.17	2019.04.16
Agilent	Power Meter	E4416A	MY45102093	2018-04-17	2019-04-16
Agilent	Signal Generator	N5182B	MY53050509	2018-04-17	2019-04-16
mini-circuits	Amplifier	ZHL-42W+	608501717	NCR	NCR

8. System Validation

According to ANSI C63.19, before hearing aid testing commences, the experimental setup shall be validated. Subclauses 6.3.1 through 6.3.5 include a set of pretest procedures designed to validate the experimental setup to ensure the accuracy of the results. To verify that the hearing aid performs per the manufacturer's specifications, 6.3.5 advises that the hearing aid be pretested per ANSI S3.22.

8.1. Test setup

1. In the simplified setup for system evaluation, the EUT is replaced by a calibrated dipole and the power source is replaced by a continuous wave which comes from a signal generator.
2. Position the E-field probe at a 15 mm distance from the top surface of the dipole, which is also fixed in an appropriate fixture.
3. Make sure that the desired measuring channel of the probe is aligned for maximum reception of the E-field generated by the dipole. This may be accomplished by rotating the probe until the maximum value is located. The E-field probe shall have been calibrated over the frequency range to be measured using standard calibration techniques.
4. Adjust the power level (20dBm \rightarrow 100mW) of the signal generator at the initial starting frequency such that the desired E-field strength at the 15 mm distance from the tip of the dipole is achieved. Setting the field strength to be in the range of category M2 is advised.
5. Step the frequency in increments of $\leq 1\%$, adjusting the power fed into the dipole such that the desired E-field strength is maintained.

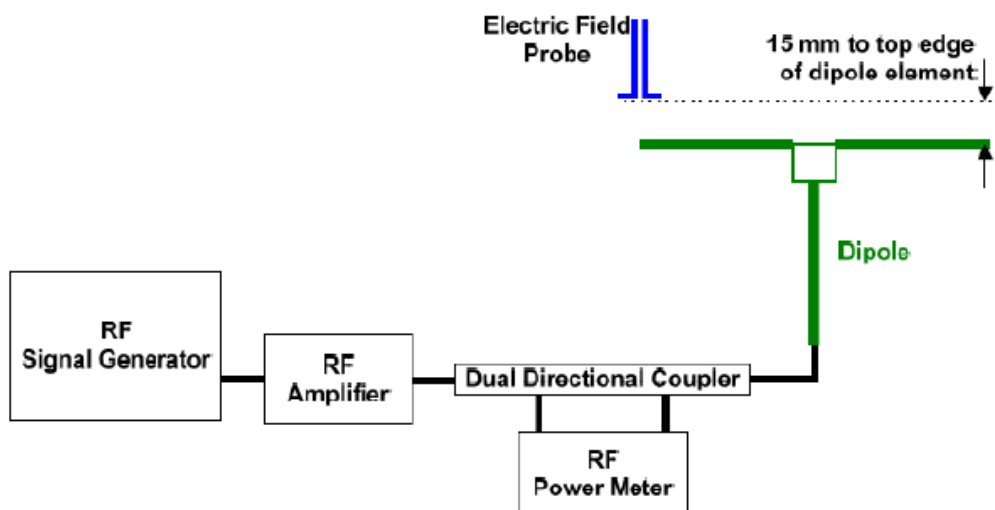


Fig 8.1 WD dipole calibration procedure



8.2. Validation Result

After testing, record the frequency and signal generator setting at each frequency for use during the actual immunity test. Comparing to the original E-field value provided by SPEAG, the verification data should be within its specification of 25 %. Table 6.1 shows the target value and measured value. The table below indicates the system performance check can meet the variation criterion and the plots can be referred to appendix A of this report. Deviation = ((Average E-field Value) - (Target value)) / (Target value) * 100%

Frequency (MHz)	Input Power (mW)	Target Value (V/m)	E-Field above high end (V/m)	E-Field above low end (V/m)	Average Value (V/m)	Deviation (%)	Limit (%)	Date
835	100	110.80	120.92	120.63	120.78	9.00	±12.8	2019.03.24
1880	100	89.50	96.94	95.61	96.28	7.57	±12.8	2019.03.24
2600	100	86.80	94.51	91.94	93.23	7.40	±12.8	2019.03.24



9. Modulation Interference Factor

The HAC Standard ANSI C63.19-2011 defines a new scaling using the Modulation Interference Factor (MIF). For any specific fixed and repeatable modulated signal, a modulation interference factor (MIF, expressed in dB) may be developed that relates its interference potential to its steady-state rms signal level or average power level.

This factor is a function only of the audio-frequency amplitude modulation characteristics of the signal and is the same for field-strength and conducted power measurements. It is important to emphasize that the MIF is valid only for a specific repeatable audio-frequency amplitude modulation characteristic. Any change in modulation characteristic requires determination and application of a new MIF.

The Modulation Interference factor (MIF, in dB) is added to the measured average E-field (in dBV/m) and converts it to the RF Audio Interference level (in dBV/m). This level considers the audible amplitude modulation components in the RF E-field. CW fields without amplitude modulation are assumed to not interfere with the hearing aid electronics. Modulations without time slots and low fluctuations at low frequencies have low MIF values, TDMA modulations with narrow transmission and repetition rates of few 100 Hz have high MIF values and give similar classifications as ANSI C63.19-2011. ER3D, EF3D and EU2D E-field probes have a bandwidth <10 kHz and can therefore not evaluate the RF envelope in the full audio band. DASY52 is therefore using the indirect measurement method according to ANSI C63.19-2011 which is the primary method. These near field probes read the averaged E-field measurement. Especially for the new high peak-to-average (PAR) signal types, the probes shall be linearized by PMR calibration in order to not overestimate the field reading. Probe Modulation Response (PMR) calibration linearizes the probe response over its dynamic range for specific modulations which are characterized by their UID and result in an uncertainty specified in the probe calibration certificate. The MIF is characteristic for a given waveform envelope and can be used as a constant conversion factor if the probe has been PMR calibrated. The evaluation method for the MIF is defined in ANSI C63.19-2011 section D.7. An RMS demodulated RF signal is fed to a spectral filter (similar to an A weighting filter) and forwarded to a temporal filter acting as a quasi-peak detector. The averaged output of these filtering is scaled to a 1 kHz 80% AM signal as reference. MIF measurement requires additional instrumentation and is not well suited for evaluation by the end user with reasonable uncertainty. It may alternatively be determined through analysis and simulation, because it is constant and characteristic for a communication signal. DASY52 uses well-defined signals for PMR calibration. The MIF of these signals has been determined by simulation and it is automatically applied. The MIF measurement uncertainty is estimated as follows, declared by HAC equipment provider SPEAG, for modulation frequencies from slotted waveforms with fundamental



REPORT No.: SZ19030080S01

frequency and at least 2 harmonics within 10 kHz:



0.2 dB for MIF	0.5 dB for MIF	1 dB for MIF
-7dB to +5 dB	-13dB to +11 dB	> -20 dB

MIF values applied in this test report were provided by the HAC equipment provider of SPEAG, and the worst values for all air interface are listed below to be determine the Low-power Exemption.

UID	Communication System Name	MIF(dB)
10021	GSM-FDD(TDMA,GMSK)	3.63
10025	EDGE-FDD (TDMA, 8PSK, TN 0)	3.75
10460	UMTS-FDD(WCDMA, AMR)	-25.43
10225	UMTS-FDD (HSPA+)	-20.39
10081	CDMA2000 (1xRTT, RC3 Full Rate)	-19.71
10295	CDMA2000 (1xRTT, RC1 SO3, 1/8th Rate 25 fr.)	3.26
10403	CDMA2000 (1xEV-DO)	-17.67
10169	LTE-FDD(SC-FDMA,1RB,20MHz,QPSK)	-15.63
10170	LTE-FDD(SC-FDMA,1RB,20MHz,16-QAM)	-9.76
10179	LTE-FDD(SC-FDMA,1RB,20MHz,64-QAM)	-9.93
10181	LTE-FDD(SC-FDMA,1RB,15MHz,QPSK)	-15.63
10175	LTE-FDD(SC-FDMA,1RB,10MHz,QPSK)	-15.63
10177	LTE-FDD(SC-FDMA,1RB,5MHz,QPSK)	-15.63
10184	LTE-FDD(SC-FDMA,1RB,3MHz,QPSK)	-15.62
10187	LTE-FDD(SC-FDMA,1RB,1.4MHz,QPSK)	-15.62
10172	LTE-TDD (SC-FDMA, 1 RB, 20 MHz, QPSK)	-1.62
10173	LTE-TDD (SC-FDMA, 1 RB, 20 MHz, 16-QAM)	-1.44
10174	LTE-TDD (SC-FDMA, 1 RB, 20 MHz, 64-QAM)	-1.54
10240	LTE-TDD (SC-FDMA, 1 RB, 15 MHz, QPSK)	-1.62
10237	LTE-TDD (SC-FDMA, 1 RB, 10 MHz, QPSK)	-1.62
10234	LTE-TDD (SC-FDMA, 1 RB, 5 MHz, QPSK)	-1.62
10231	LTE-TDD (SC-FDMA, 1 RB, 3 MHz, QPSK)	-1.62
10228	LTE-TDD (SC-FDMA, 1 RB, 1.4 MHz, QPSK)	-1.62
10061	IEEE 802.11b WiFi 2.4 GHz (DSSS, 11 Mbps)	-2.02
10077	IEEE 802.11g WiFi 2.4 GHz (DSSS/OFDM, 54 Mbps)	0.12
10427	IEEE 802.11n (HT Greeneld, 150 Mbps, 64-QAM)	-13.44
10069	IEEE 802.11a/h WiFi 5 GHz (OFDM, 54 Mbps)	-3.15
10616	IEEE 802.11ac WiFi (40MHz, MCS0, 90pc duty cycle)	-5.57

10. Conducted Power

<GSM >

GSM850	Burst Average Power (dBm)			Tune-up Limit (dBm)
TX Channel	128	189	251	
Frequency (MHz)	824.2	836.4	848.8	
GSM	32.53	32.54	32.47	33.00

GSM1900	Burst Average Power (dBm)			Tune-up Limit (dBm)
TX Channel	512	661	810	
Frequency (MHz)	1850.2	1880	1909.8	
GSM	29.47	29.46	29.48	29.50

<CDMA 2000>

BC0	Burst Average Power (dBm)			Tune-up Limit (dBm)
TX Channel	1013	384	777	
Frequency (MHz)	824.7	836.52	848.31	
1xRTT RC1 SO3,1/8th Rate	24.10	24.10	24.00	24.50

BC1	Burst Average Power (dBm)			Tune-up Limit (dBm)
TX Channel	25	600	1175	
Frequency (MHz)	1851.25	1880	1908.75	
1xRTT RC1 SO3,1/8th Rate	24.10	24.00	24.10	24.50

BC10	Burst Average Power (dBm)			Tune-up Limit (dBm)
TX Channel	476	580	684	
Frequency (MHz)	817.9	820.5	823.1	
1xRTT RC1 SO3,1/8th Rate	24.20	24.20	24.10	24.50



<LTE Band 41>

BW [MHz]	Modulation	RB Size	RB Offset	Power Low Ch. / Freq.	Power Low Middle Ch. / Freq.	Power Middle Ch. / Freq.	Power High Middle Ch. / Freq.	Power High Ch. / Freq.	Tune-up limit (dBm)
Channel				39750	40185	40620	41055	41490	
Frequency (MHz)				2506	2549.5	2593	2636.5	2680	
20	QPSK	1	0	26.90	26.84	26.78	26.92	26.84	27.50
20	QPSK	1	49	27.15	27.18	27.10	27.12	27.19	
20	QPSK	1	99	26.97	26.82	26.74	26.81	26.77	
20	QPSK	50	0	25.74	25.81	25.88	25.93	25.94	26.50
20	QPSK	50	24	25.77	25.80	25.86	25.94	25.95	
20	QPSK	50	50	25.81	25.80	25.89	25.94	25.78	
20	QPSK	100	0	25.75	25.79	25.85	25.95	25.86	26.50
20	16QAM	1	0	26.05	26.01	25.76	25.90	25.85	
20	16QAM	1	49	26.31	26.37	26.12	26.15	26.14	
20	16QAM	1	99	25.89	25.99	25.71	25.77	25.79	26.00
20	16QAM	50	0	24.75	24.82	24.90	25.01	24.93	
20	16QAM	50	24	24.78	24.84	24.97	25.02	24.93	
20	16QAM	50	50	24.83	24.81	24.92	24.98	24.82	26.00
20	16QAM	100	0	24.80	24.80	24.86	24.96	24.85	
20	64QAM	1	0	25.57	25.48	25.25	25.38	25.36	
20	64QAM	1	49	25.84	25.86	25.59	25.64	25.66	26.00
20	64QAM	1	99	25.45	25.46	25.20	25.26	25.29	
20	64QAM	50	0	24.29	24.33	24.41	24.52	24.45	
20	64QAM	50	24	24.28	24.33	24.42	24.53	24.43	25.00
20	64QAM	50	50	24.37	24.30	24.45	24.47	24.33	
20	64QAM	100	0	24.30	24.29	24.37	24.46	24.41	

11. Low-power Exemption

Air Interface	Max Tune-up Limit (dBm)	Worst Case MIF (dB)	Power + MIF(dB)	C63.19 test required
GSM850	33.00	3.63	36.63	Yes
GSM1900	29.50	3.63	33.13	Yes
WCDMA Band II	23.00	-25.43	-2.43	No
WCDMA Band IV	23.00	-25.43	-2.43	No
WCDMA Band V	23.50	-25.43	-1.93	No
CDMA Full Rate	25.00	-19.71	5.29	No
CDMA 1/8th Frame Rate	24.50	3.26	27.76	Yes
EVDO	23.50	-17.67	5.83	No
LTE Band 2	24.00	-15.63	8.37	No
LTE Band 4	23.50	-15.63	7.87	No
LTE Band 5	24.50	-15.63	8.87	No
LTE Band 7	23.00	-15.63	7.37	No
LTE Band 12	23.50	-15.63	7.87	No
LTE Band 13	24.00	-15.63	8.37	No
LTE Band 14	24.00	-15.63	8.37	No
LTE Band 17	24.00	-15.63	8.37	No
LTE Band 25	23.50	-15.63	7.87	No
LTE Band 26	25.00	-15.63	9.37	No
LTE Band 41	27.50	-1.62	25.88	Yes
LTE Band 66	23.50	-15.63	7.87	No
LTE Band 71	24.50	-15.63	8.87	No

Note:

1. According to ANSI C63.19 2011-version, for the air interface technology of a device is exempt from testing when its average antenna input power plus its MIF is ≤ 17 dBm for any of its operating modes.
2. For all of bands, the worst case of max tune-up limit will be test RF, therefore WCDMA modes is not necessary for testing.
3. HAC RF rating is M4 for the air interface which meets the low power exemption.
4. The power reduction is lower than the full power, so please use the full power for the exemption evaluation.



12. Summary Test Results

Plot No.	Air Interface	Mode	Channel	Average Antenna Input Power (dBm)	MIF	E-Field (dBV/m)	Margin to FCC M3 limit (dB)	E-Field M Rating
1	GSM850	GSM Voice	128	32.53	3.63	14.48	19.02	M4
2	GSM850	GSM Voice	189	32.54	3.63	15.64	19.82	M4
3	GSM850	GSM Voice	251	32.47	3.63	15.45	18.56	M4
4	GSM1900	GSM Voice	512	29.47	3.63	17.83	18.89	M4
5	GSM1900	GSM Voice	661	29.46	3.63	18.24	19.80	M4
6	GSM1900	GSM Voice	810	29.48	3.63	18.08	19.01	M4
7	CDMA BC0	1xRTT, RC1 SO3, 1/8th Rate	1013	24.10	3.26	18.41	18.42	M4
8	CDMA BC0	1xRTT, RC1 SO3, 1/8th Rate	384	24.10	3.26	18.18	18.63	M4
9	CDMA BC0	1xRTT, RC1 SO3, 1/8th Rate	777	24.00	3.26	19.69	17.91	M4
10	CDMA BC1	1xRTT, RC1 SO3, 1/8th Rate	25	24.10	3.26	18.41	18.59	M4
11	CDMA BC1	1xRTT, RC1 SO3, 1/8th Rate	600	24.00	3.26	18.18	18.42	M4
12	CDMA BC1	1xRTT, RC1 SO3, 1/8th Rate	1175	24.10	3.26	19.69	17.93	M4
13	CDMA BC10	1xRTT, RC1 SO3, 1/8th Rate	476	24.20	3.26	18.41	18.04	M4
14	CDMA BC10	1xRTT, RC1 SO3, 1/8th Rate	580	24.20	3.26	18.18	18.86	M4
15	CDMA BC10	1xRTT, RC1 SO3, 1/8th Rate	684	24.10	3.26	19.69	19.01	M4

Plot No.	Air Interface	Mode	Channel	Average Antenna Input Power (dBm)	MIF	E-Field (dBV/m)	Margin to FCC M3 limit (dB)	E-Field M Rating
16	LTE Band 41	QPSK/1RB49/20MHz	39750	27.15	-1.62	14.18	13.07	M4
17	LTE Band 41	QPSK/1RB49/20MHz	40185	27.18	-1.62	14.43	13.18	M4
18	LTE Band 41	QPSK/1RB49/20MHz	40620	27.10	-1.62	14.07	13.06	M4
19	LTE Band 41	QPSK/1RB49/20MHz	41055	27.12	-1.62	14.44	13.18	M4
20	LTE Band 41	QPSK/1RB49/20MHz	41490	27.19	-1.62	14.35	13.10	M4

13. Uncertainty Assessment

The component of uncertainty may generally be categorized according to the methods used to evaluate them. The evaluation of uncertainty by the statistical analysis of a series of observations is termed a Type A evaluation of uncertainty. The evaluation of uncertainty by means other than the statistical analysis of a series of observations is termed a Type B evaluation of uncertainty. Each component of uncertainty, however evaluated, is represented by an estimated standard deviation, termed standard uncertainty, which is determined by the positive square root of the estimated variance.

The combined standard uncertainty of the measurement result represents the estimated standard deviation of the result. It is obtained by combining the individual standard uncertainties of both Type A and Type B evaluation using the usual "root-sum-squares" (RSS) methods of combining standard deviations by taking the positive square root of the estimated variances. Expanded uncertainty is a measure of uncertainty that defines an interval about the measurement result within which the measured value is confidently believed to lie. It is obtained by multiplying the combined standard uncertainty by a coverage factor. For purpose of this document, a coverage factor two is used, which corresponds to confidence interval of about 95 %. The DASYS uncertainty Budget is shown in Table 12.1.