

# 2.4G Digital Hi-Fi Wireless Headphones

## USER MANUAL



D1

D1 HEADPHONES USER MANUAL

ENGLISH 2

### COMPONENT PART LIST

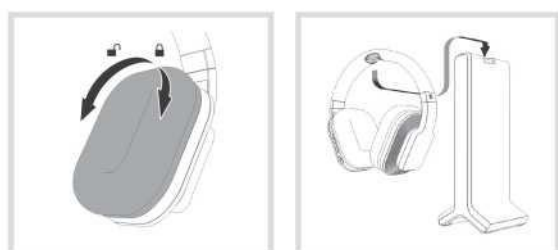


Q1 HEADPHONES

ENGLISH 4

### HEADPHONE RECEIVER

1. For your convenience, rechargeable batteries have been inserted in wireless headphone. Please charge sufficiently before first use.
2. The wireless headphone should be turned off before charging.
3. If you need to replace the rechargeable batteries, please rotate the ear pad holder and take it away from the headphone cabinet.
4. Replace/Install 2 pieces of AAA size rechargeable batteries (supplied by ARTISTE) into the battery compartment (RIGHT SIDE). Make sure the batteries are placed with the right polarity . + CT - J -
5. Restore ear pad to the headphone cabinet after the batteries are inserted.



### OPERATION

Note: For the initial use, please charge the batteries for 6 hours. If the headphone is not in use, please place it back on the transmitter.

H1 HEADPHONES

ENGLISH

D1 HEADPHONES USER MANUAL

ENGLISH 1

### INTRODUCTION

ARTISTE 2.4GHz Digital Wireless Headphone uses the latest digital wireless technology that enables you to enjoy crystal sound stereo music and TV sound anywhere inside your home. Simply connect the transmitter to a desired audio source: DVD player, TV set, Hi-Fi system, MP3, iPod, or Smartphone. Without complicated wiring and installation, the system enables you to enjoy thrilling, lifelike sound in hours.

### FEATURES

2.4GHz Digital Hopping System Technology	OPTICAL/COAXIAL Connection
Smart Volume Memory preset	Direct Audio Line-In
Auto On/Off (when without signal)	Enclosed memory foam
10-degree Adjustable Headband	Top Charge Mechanism

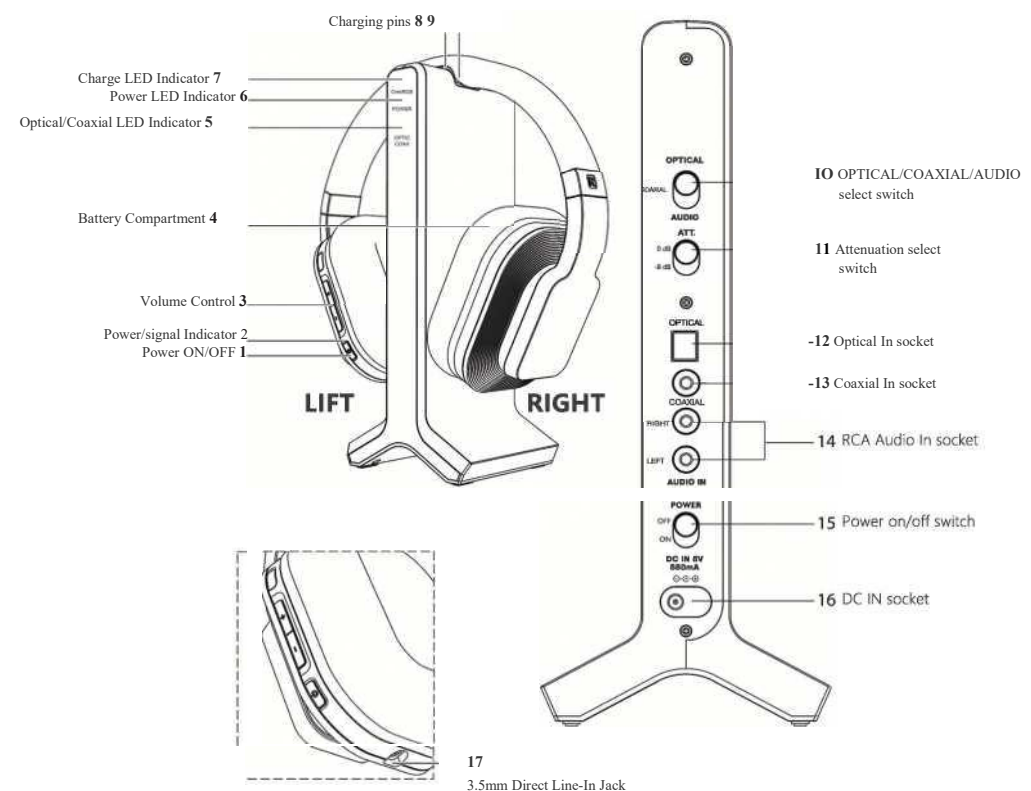
### BE CAREFUL

Prolonged exposure to Excessive sound pressure from earphones and headphones may cause permanent hearing loss.

D1 HEADPHONES USER MANUAL

ENGLISH 3

### FUNCTION SCHEMATIC



D1 HEADPHONES USER MANUAL

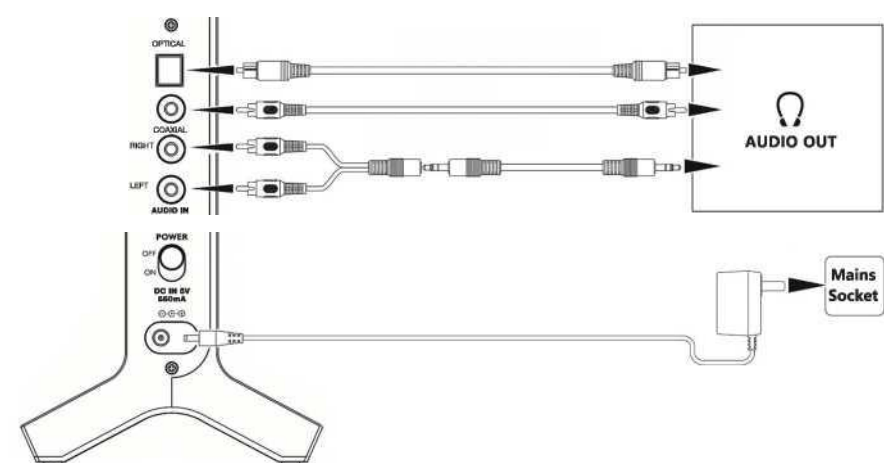
ENGLISH 5

### INSTALLATION TRANSMITTER

- 1) Plug the AC/DC power adaptor in the DC jack at the rear of the transmitter. Connect the supplied AC/DC power adaptor to an electrical wall outlet.
- 2 ) Rear of the transmitter has audio socket, optical socket and coaxial socket for connecting the Audio Cable to the audio output jack of TV, PC, DVD, iPod, MP3, or Smartphone.
- 3 ) For TV/DVD/Hi-Fi, switch to -8dB. For CD/MP3, iPod or Smartphone switch to 0dB.



Switch to OPTICAL when use the optical cable for connection  
Switch to COAXIAL when use the coaxial cable for connection  
Switch to AUDIO when use the 3.5/RCA cable for connection



H1 HEADPHONES

ENGLISH

## HEADPHONE RECEIVER

Turn on the headphone by pressing the Power button for about 2 seconds. The LED will light up in RED, and then change to GREEN when Audio Signal link between Transmitter and Headphone Receiver is established. If no Audio Signal is detected, this LED will glow in RED constantly.

Adjust the size of the Headband, place the Headphone on your head. To obtain the desired sound level, adjust the Volume Control on the Headphone.

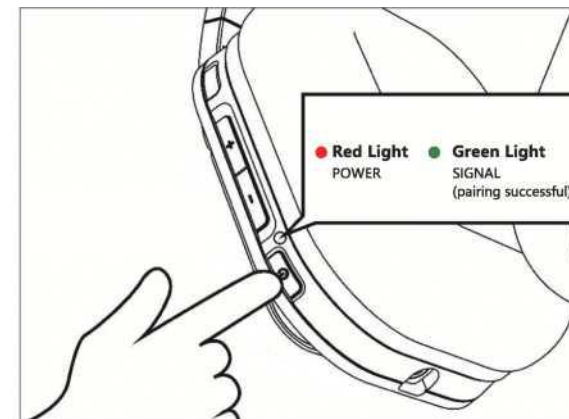
If interference or poor signal reception occurs, the headphone will be muted and the LED will change to RED, searching for another channel will be run automatically.

When the batteries of Headphone are at low level, the LED will blink in RED.

There will be beeping sound from the headphone in every minute to indicate the last 5 minutes of working. A beep sound in each of the first 4 minutes, and 2 beep sounds in the last minutes and then it will automatically switch off.

To charge the Batteries in the Headphone, turn OFF the Headphone by pressing the Power button for about 2 seconds. Place the Headphone on the Transmitter. The charging process begins automatically, and the CHARGE LED on the transmitter will light in GREEN when the charging contacts of transmitter and headphone are matched successfully.

When the charging process (about 6 hours) is completed, the GREEN LED will be OFF.

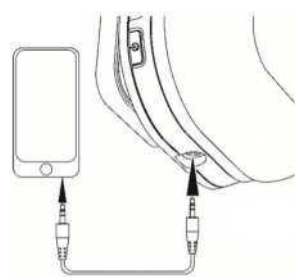


## AUTO OFF

For protection of the Transmitter and power saving, the Transmitter will be switched to Stand-by Mode automatically if there is no Audio Signal for approximately 5 minutes' LED will be OFF. If the Audio Signal returns, the Transmitter will be automatically switched On with LED glows in BLUE. Switch on the Headphone again to listen to the music. The Headphone will be switched off automatically if there is no signal from the Transmitter for about 5 minutes.

## WIRED HEADPHONE

This Headphone can be used as a regular Wired Headphone by connecting your Audio Source with the Line-In Cable to the Headphone Jack shown below.



## WARNING

- Never attempt to recharge conventional dry cells.
- Batteries (battery pack or batteries installed) shall not be exposed to excessive heat such as sunshine, fire or the like.
- Never use another type of battery or non-rechargeable batteries to replace the rechargeable (LR03/ AAA) batteries supplied. When the headphones are not in use, switch it OFF to avoid damaging the batteries.
- Prolonged exposure to Excessive sound pressure from earphones and headphones may cause permanent hearing loss.

## TROUBLE SHOOTING

### No Sound

- Ensure the AC/DC adaptor is fully inserted into the AC outlet and the power connection input on the Transmitter.
- Ensure the Power Button at the back of Transmitter is switched to ON.
- Ensure the headphone is switched ON.
- Headphone battery charge level may be too low, recharge the batteries fully.
- Ensure the TV or the connected audio device is switched ON.
- The volume of headphone may be too low, adjust the volume to a moderate level.
- The audio signal input level is too low. Increase the volume of the audio source.

### Distortion

- Ensure the volume level of headphone is set to an approximate level.
- The headphone is too far from the transmitter, move it closer.
- The audio signal input level is too low. Increase the volume of the audio source.

## SPECIFICATIONS

Transmission mode: Digital Hopping System	Carrier frequency: 2.4GHz
Operating voltage: Transmitter 5V	Receiver 2x1.2V AAA
Frequency response: 20 Hz - 20 KHz	Work Time: 12 hours
Charge Time: 4-6 hours	Distortion: 0.5%
Signal-to-noise ratio: 85 dB	Range: Up to 30 meters

## CAUTION

This device complies with part 15 of the FCC Rules. Operation is subject to the following two conditions:  
(1) This device may not cause harmful interference, and (2) this device must accept any interference received, including interference that may cause undesired operation.

Any Changes or modifications not expressly approved by the party responsible for compliance could void the user's authority to operate the equipment.

Note: This equipment has been tested and found to comply with the limits for a Class B digital device, pursuant to part 15 of the FCC Rules. These limits are designed to provide reasonable protection against harmful interference in a residential installation. This equipment generates uses and can radiate radio frequency energy and, if not installed and used in accordance with the instructions, may cause harmful interference to radio communications. However, there is no guarantee that interference will not occur in a particular installation. If this equipment does cause harmful interference to radio or television reception, which can be determined by turning the equipment off and on, the user is encouraged to try to correct the interference by one or more of the following measures:

- Reorient or relocate the receiving antenna.
- Increase the separation between the equipment and receiver.
- Connect the equipment into an outlet on a circuit different from that to which the receiver is connected.
- Consult the dealer or an experienced radio/TV technician for help.

This equipment complies with FCC radiation exposure limits set forth for an uncontrolled environment. This equipment should be installed and operated with minimum distance 20cm between the radiator & your body.