

USER MANUAL

ARTISTE Senior Headphone System



ENGLISH 2

FEATURES

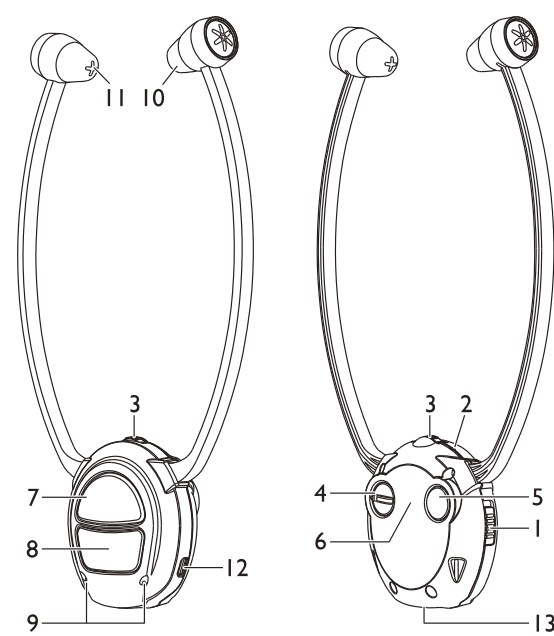
- Optical Audio In for smart TV
- NFC Ease Pairing
- Adjustment of Tone Clarity, Selection of Treble Enhancement
- Sound Balance Control (Left/Middle/Right)
- Microphone Button for Sound Amplification

CAUTION

- To protect your hearing, please do not use the headphones at high volume for a long time.
- Wireless transmission will produce electromagnetic signal which may interfere the heart pacemaker or other medical instruments properly function. Please follow your doctor's instruction.
- When switching between the microphone and music source please be aware that the volume level can change substantially dependent upon signal input levels. As a precaution the volume level should be lowered prior to switching between the microphone and music.

ENGLISH 4

FUNCTION IDENTIFICATION: RECEIVER HEADPHONE



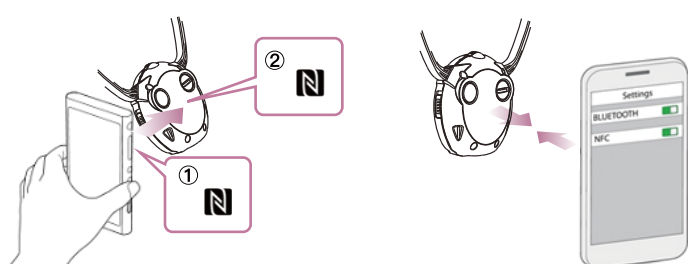
- 1 Power ON/OFF
- 2 Signal LED Indicator
- 3 Volume Control
- 4 Balance Control
- 5 Sound Enhancement Button
- 6 NFC
- 7 Play/Pause/Call Pickup/End Call Button
- 8 Mic/Pair Button
- 9 Microphone
- 10 Left Adjustable Earbud
- 11 Right Adjustable Earbud
- 12 Micro USB Port (For Direct Charging the Headphone)
- 13 Charging Contact (For Charging the Headphone on the Transmitter)

ENGLISH 6

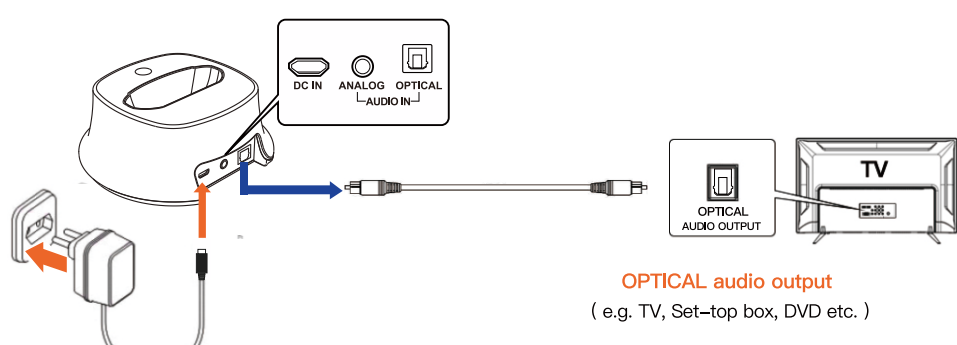
INSTALLATION AND OPERATION

NFC PAIRING

- Turn on the NFC function of smartphone.
- Turn on the Bluetooth headphone.
- Attach the headphone's NFC area **N** to the smartphone.



OPTICAL INPUT (RECOMMENDED)

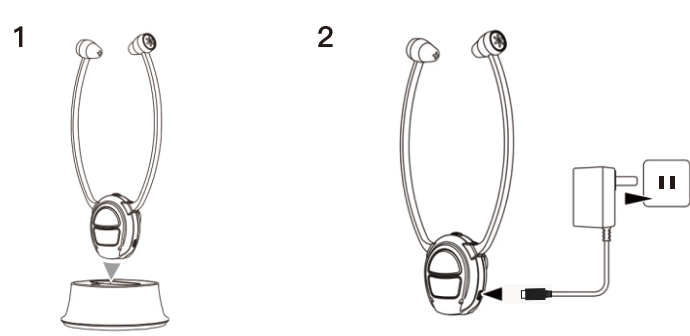


ENGLISH 8

CHARGING THE BATTERY

Charge the battery for about 3 hours before first use. A fully charged battery provides up to 6-8 hours of listening enjoyment.

- Switch OFF the headphone.
- Place the headphone on the transmitter.
- The green LED indicator on the headphone will flash slowly when charging. It will glow in green steadily in about 3 hours after the battery is fully charged.
- If the headphone power is at ON position during charging, after charging, slide the switch to OFF and ON again for connection to use with transmitter.
- The headphone can also be charged with the supplied Power Adaptor through the Micro USB port on the headphone.



AUTO OFF:

When the headphone is turned on without any connection to Bluetooth devices, it will be turned off after 5 minutes. To turn on the headphone again, you should first slide the power button to the OFF position. Then slide it back to ON again.

ENGLISH 10

LED INDICATOR

TRANSMITTER LED INDICATOR	STATUS
Slow Blinking Blue	Stand-by
Fast Blinking Blue (Press PAIR button once)	Pairing
Solid Blue	Paired
BLUETOOTH HEADPHONE INDICATOR	STATUS
Slow Blinking Blue	Stand-by
Fast Blinking Blue (Press and Hold PAIR button for 5 sec)	Pairing
Solid Blue	Paired
Fast Blinking Blue	Low Battery Status in Bluetooth Mode
Slow Blinking Green	Charging the Battery
Solid Green	Battery fully charged
Solid Green (Press MIC button once)	MIC ON
Fast Blue + Green	Incoming Call
Fast Blinking Green	Low Battery Status in MIC ON Mode

TROUBLESHOOTING

No sound

- Ensure that the headphone power ON/OFF switch is switched to ON.
- The charge level of the battery inside the headphone may be too low. Recharge the battery for approx. 3 hours.
- Ensure that the Bluetooth connection is established.
- The headphone output level is set too low. Adjust the volume to a suitable level.

Distortion

- The charge level of the battery inside the headphone may be too low. Recharge the battery for approx. 3 hours.
- The headphone may be too far away from the Bluetooth transmitter (e.g. smartphone etc.). Move closer to it.

ENGLISH 1

INTRODUCTION

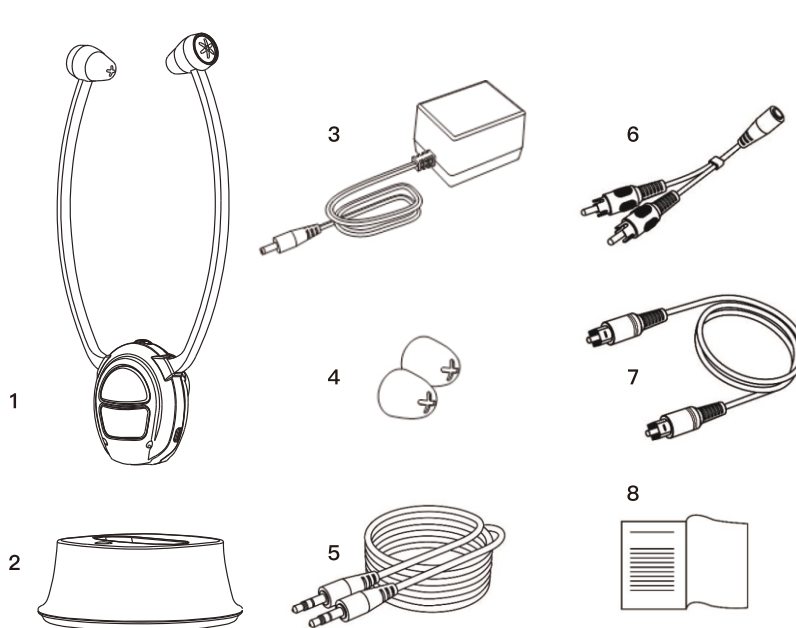
Dear Customer,
ARTISTE Senior Headphone System E3 uses Bluetooth V4.0 Wireless technology, enables to improve the hearing aid capability that may require by the elderly people to enjoy crystal sound stereo music and TV sound inside your home.

Press phone button can answer or end a call when connected to smart phone. Transmitter with optical connection is compatible with smart TV. Simply connect to a desired audio source: TV set, Smartphone, PC, DVD player, Hi-Fi system, Radio or MP3. Without complicated wiring and installation, the Headphone enables you to enjoy thrilling, lifelike sound for hours.



ENGLISH 3

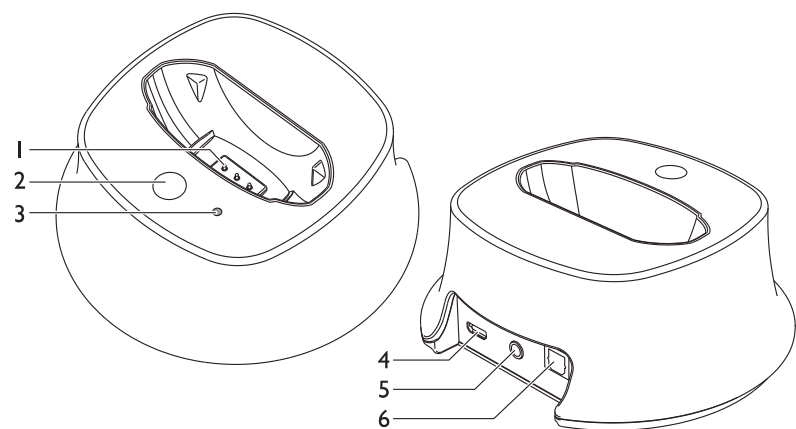
PACKAGE CONTENTS



- 1 Bluetooth Headphone
- 2 Transmitter
- 3 AC/DC adapter
- 4 Additional pair of rubber ear buds
- 5 Analogue Audio cable
- 6 Adapter cable (RCA) for analogue audio cable
- 7 Optical TOSLINK digital audio cable
- 8 User Manual

ENGLISH 5

FUNCTION IDENTIFICATION: TRANSMITTER

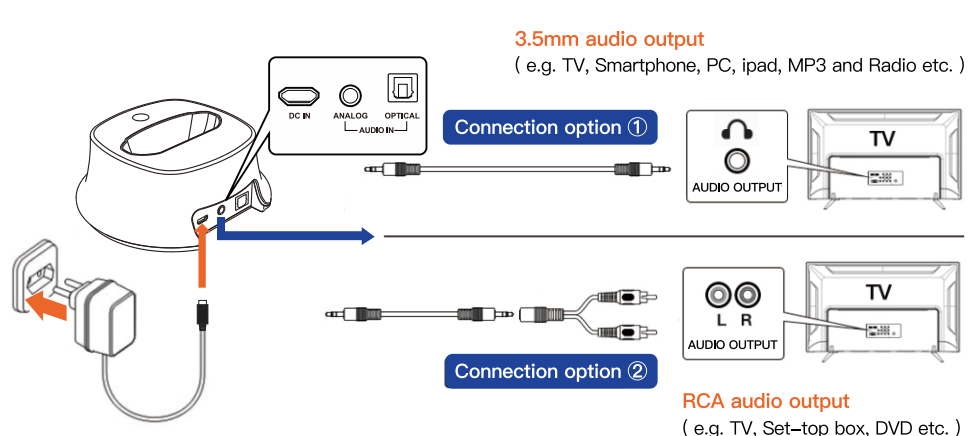


- 1 Charging Pins
- 2 Pair Button
- 3 Signal LED Indicator (For Power/Pair)
- 4 Micro USB Socket (for Power Adaptor Only)
- 5 3.5 mm Audio Socket (Audio Line In)
- 6 Optical Audio-In Socket TOSLINK

ENGLISH 7

INSTALLATION AND OPERATION

ANALOGUE AUDIO INPUT



NOTE:

Please note that only one input (either analogue audio input or optical input/TOSLINK) must be connected. If both the analogue audio input and the optical input/TOSLINK are connected, the priority use is analogue input.

ENGLISH 9

USE THE HEADPHONE

- Connect audio device to the transmitter. Switch the power of the transmitter. Connect the power of the transmitter. Switch on the audio source. The blue indicator LED on the transmitter will flash. Switch the On/Off switch on the headphone to ON position, then the blue LED indicator will flash. The transmitter and the headphone will then be connected automatically. If transmitter and headphone are not connected with each other, press and hold the PAIR button on the headphone for about 5 seconds until the blue LED flashes quickly. Then press the PAIR button on the transmitter, the units will be connected after a few seconds.
- Connect Bluetooth device to the headphone. Press PAIR button for 5 sec until the blue LED flashes, then turn on the Bluetooth function of smartphone, select the device "E3" to connect. Then the headphone and smartphone will be paired automatically.
- Before putting the headphone on, set the volume on the headphone to a low level, then adjust the desired volume.
- Adjust the tone clarity setting if necessary. To set the tone clarity briefly press the TONE button repeatedly.
 - 1 short beep: Treble boost
 - 2 short beeps: Bass boost and treble boost
 - 3 short beeps: Bass boost
 - 1 long beep: Flat
- Adjust the balance of sound (left/middle/right) if necessary.

The PHONE Button (connect to smartphone)

- Press once: Play/ Pause/ Answer Call/ Hang up
- Press and Hold: Reject the call

The MIC Button

Press the Mic Button for sound amplification, the audio signal will be paused and the blue LED indicator on headphone will turn into green. Press the Mic Button again will stop the sound amplification function, the green LED indicator on headphone will turn into blue. The music/sound from audio device will be resumed.

ENGLISH 11

FCC STATEMENT

This device complies with Part 15 of the FCC Rules. Operation is subject to the following two conditions: (1) This device may not cause harmful interference, and (2) this device must accept any interference received, including interference that may cause undesired operation.

NOTE: This equipment has been tested and found to comply with the limits for a Class B digital device, pursuant to Part 15 of the FCC Rules. These limits are designed to provide reasonable protection against harmful interference in a residential installation. This equipment generates uses and can radiate radio frequency energy and, if not installed and used in accordance with the instructions, may cause harmful interference to radio communications. However, there is no guarantee that interference will not occur in a particular installation. If this equipment does cause harmful interference to radio or television reception, which can be determined by turning the equipment off and on, the user is encouraged to try to correct the interference by one of the following measures:

- Reorient or relocate the receiving antenna.
- Increase the separation between the equipment and receiver.
- Connect the equipment into an outlet on a circuit different from that to which the receiver is connected.
- Consult the dealer or an experienced radio/TV technician for help.

WARNING: Any changes or modifications not expressly approved by the party responsible for compliance could void the user's authority to operate this equipment.

The device must not be co-located or operating in conjunction with any other antenna or transmitter.

*FCC RF Radiation Exposure Statement Caution: To maintain compliance with the FCC's RF exposure guidelines, place the product at least 20cm from nearby persons.

*This device complies with FCC's radiation exposure limits set forth for an uncontrolled environment

TECHNICAL SPECIFICATIONS

Bluetooth: V4.0	Frequency Range: 20Hz-20KHz
Distortion: 1%	S/N Ratio: 70dB
Impedance: 16Ω	Standby: 200 hours
Operation Time: 6-8 hours	Charge Time: 3 hours
Operating Distance: 10m	Weight: 60g (wireless headphone)
Built-In Li-Polymer Rechargeable Battery	