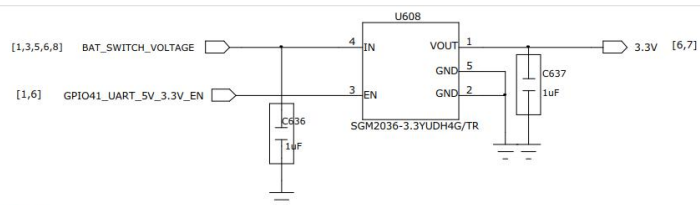


FCC CIIPC Declaration

FCC ID: 2APB2LIME-V3-US

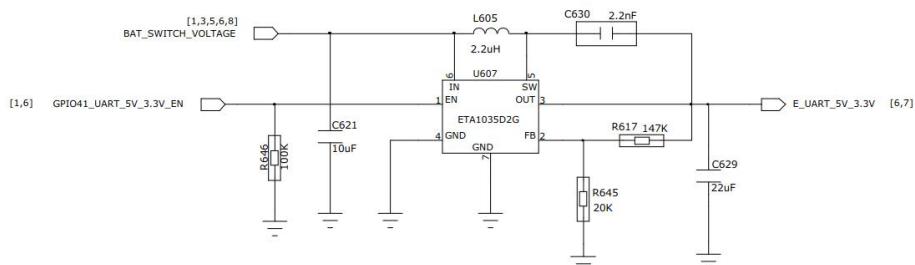
We, **Neutron Holdings, Inc.**, hereby declare that we are only and fully responsible for this CIIPC application of FCC ID: **2APB2LIME-V3-US**, originally granted on **2018/11/28**. Now we would like to modify the authorized equipment for upgrading hardware to HW: V1.04 from V1.02 and upgrading software version to SW: S_CCU_FW_AP_E_O_MEIG_V2_1.0.10 from S_MEIG_V2_AP_U_O_1.0.2, the differences listed as below:

1. V1.04 version electronic power circuit use VDD_EXT_1V8 directly;



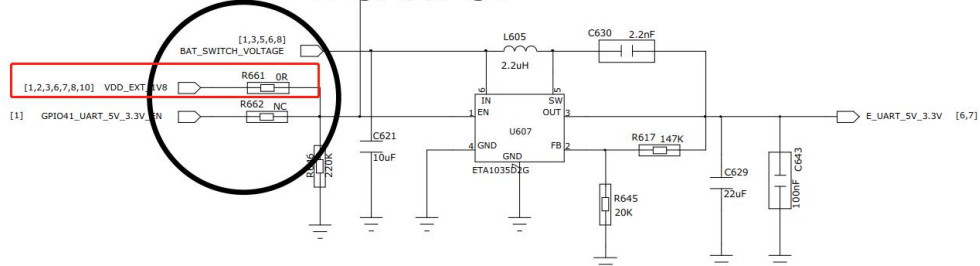
V1.02

E UART 5V

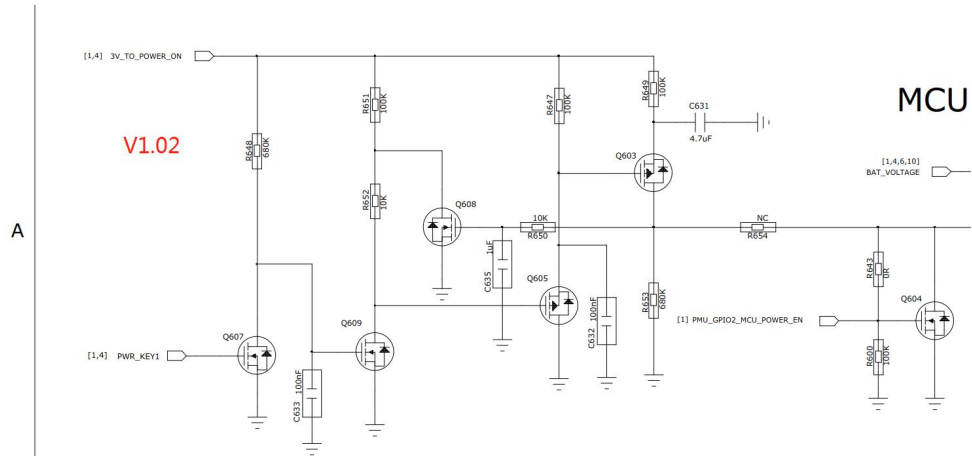


V1.04

E UART 5V

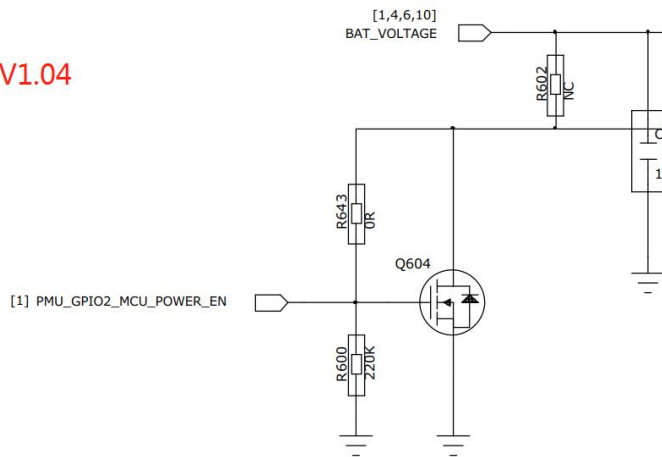


2. Remove some redundancy circuit as below base on V1.02 version;

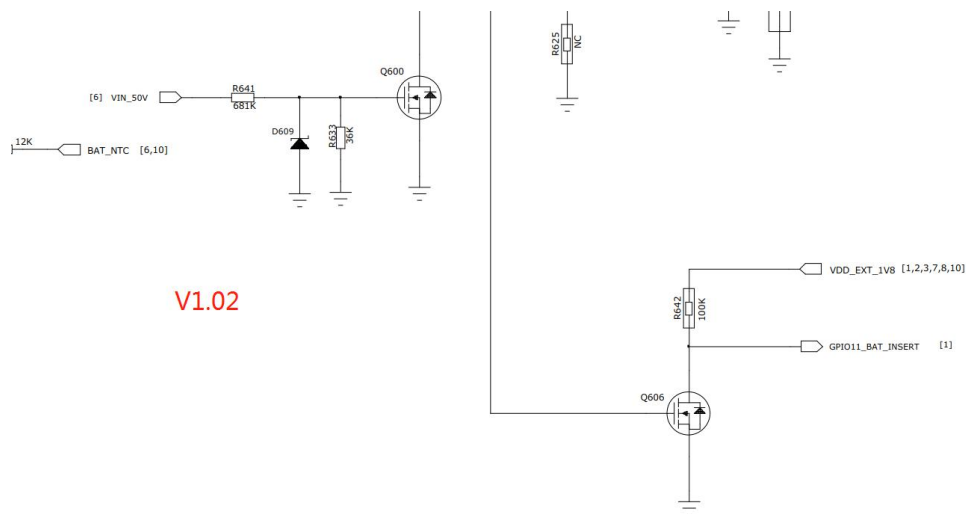


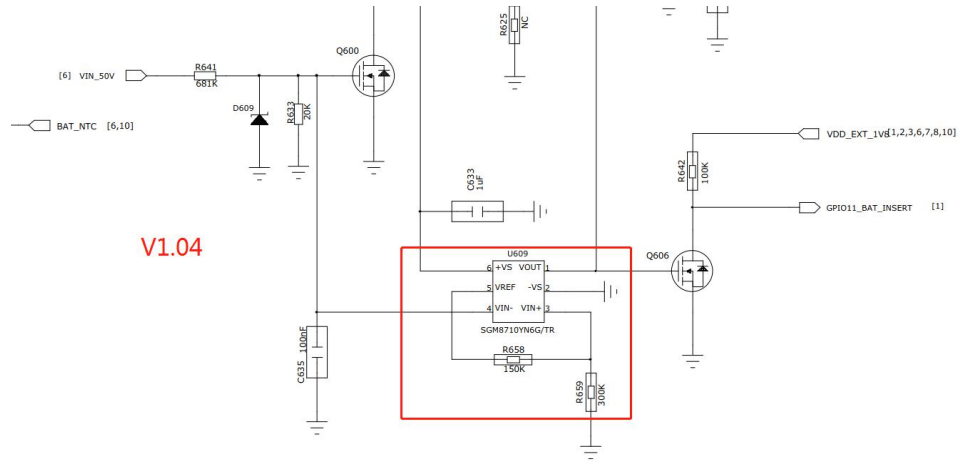
MCU

V1.04



3. V1.04 version add comparison circuit;

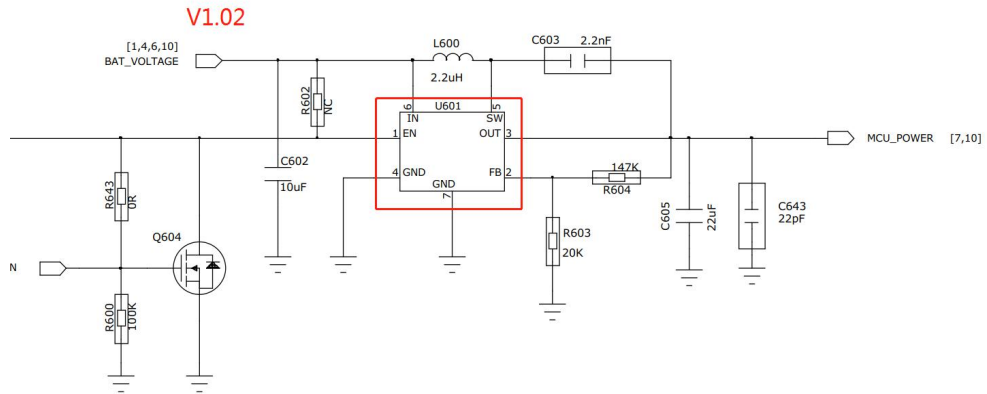




V1.04

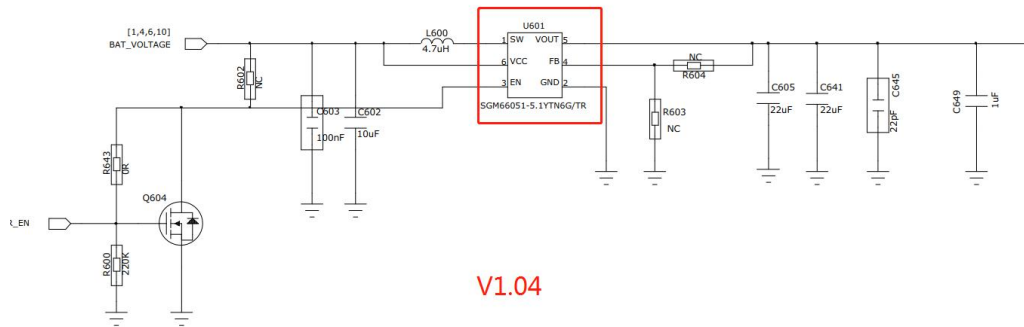
4. Change MCU UART 5V power supply chip;

MCU POWER& MCU UART 5V



V1.02

MCU POWER& MCU UART 5V



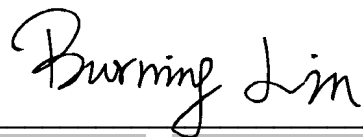
V1.04

Neutron Holdings, Inc.
85 2nd St, San Francisco, CA 94105 USA

Except for the changes mentioned above, no other modification is performed. Also, the change does not have any impact on the approved radio parameter such as power, frequency range, modulation etc.

Should you have any question, please contact me directly.

Sincerely,

A handwritten signature in black ink that reads "Bintao Lin". The signature is written in a cursive style with a horizontal line underneath it.

Bintao Lin / Certification Manager
Neutron Holdings, Inc.
Tel: (510) 710-2684
E-mail: bintao.lin@limebike.com