

Lime-4.0-NA User Manual

File Name: Lime-4.0-NA User Manual

Version Number: V1.0

Release Date: 2021/2/24

Revising records

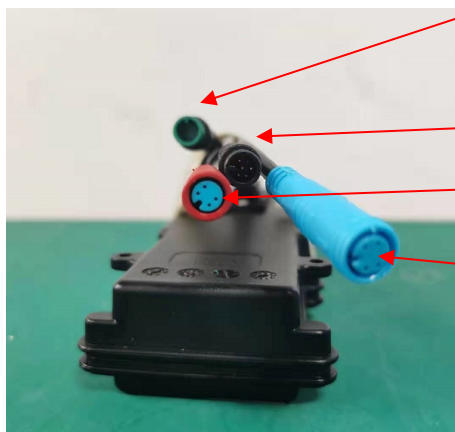
No.	Version	Date	Author	Comments
<i>1</i>	<i>V1.0</i>	<i>2021/2/24</i>	<i>Lei junpeng</i>	<i>Create</i>

Product appearance

This product is a product of intelligent lock controller, which is the control part of the intelligent lock on shared scooters.



Hardware interface

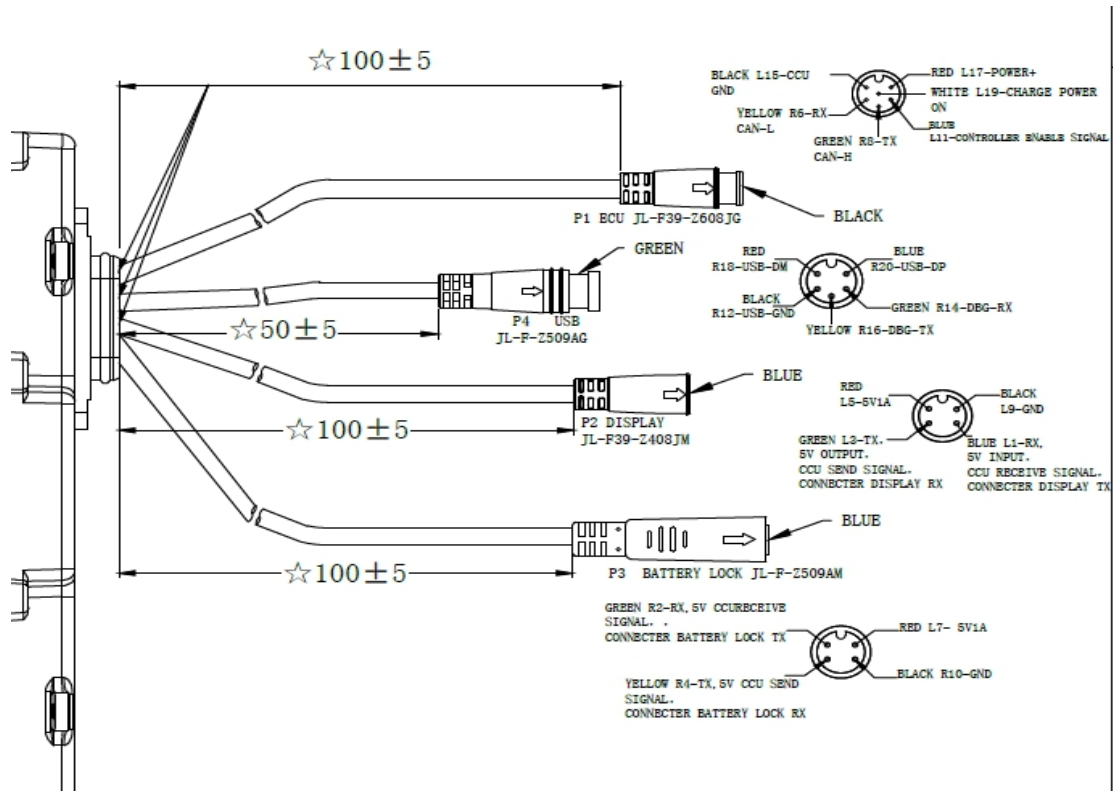
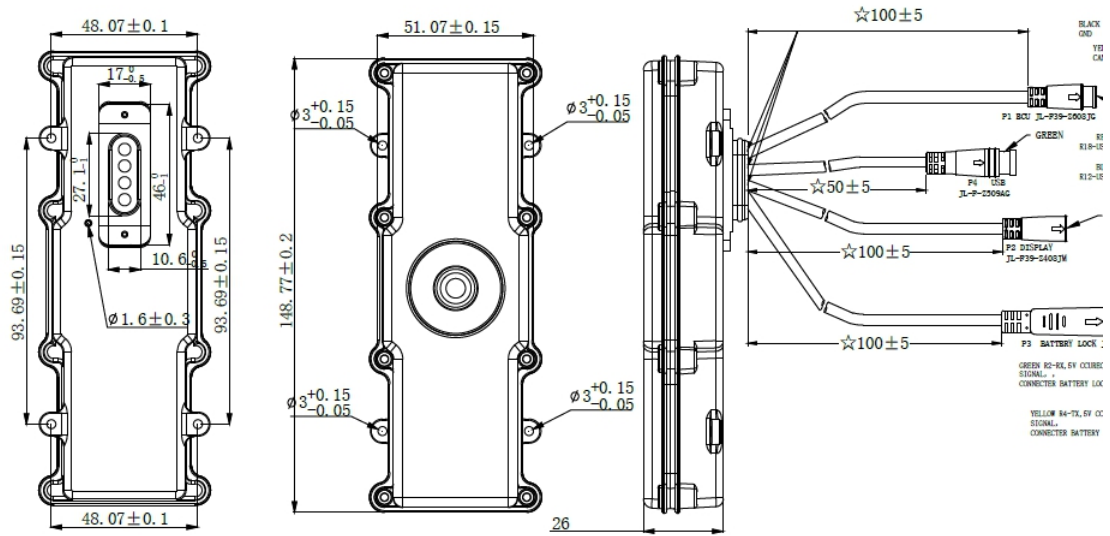


USB and Debug

DC and CAN communication

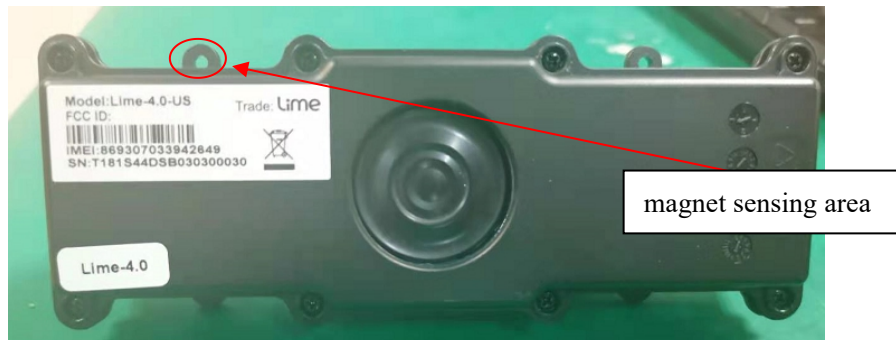
Meter interface

Battery lock Interface



Starting up

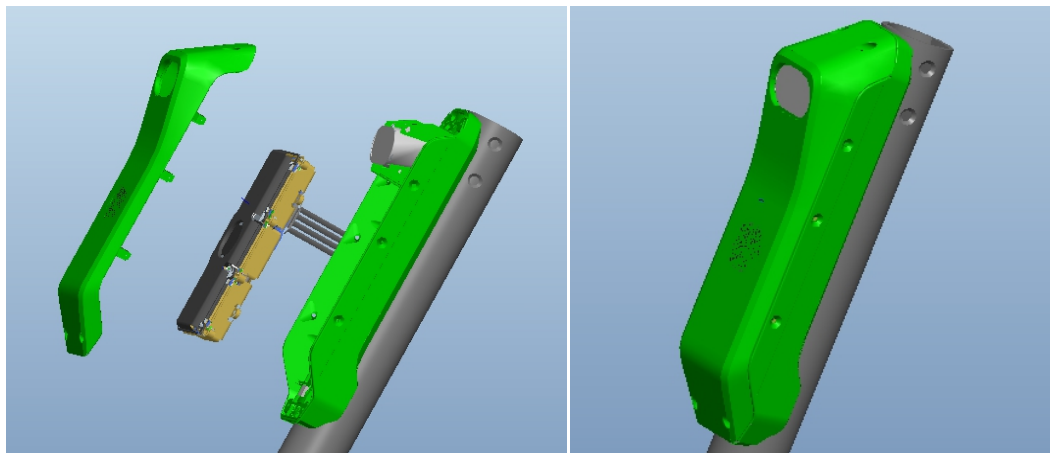
The magnet must be close to the induction area to open the machine.



Operating temperature

➤ 工作温度: -20°C to 70°C

Installation method



CE Statements

Battery:

CAUTION : RISK OF EXPLOSION IF BATTERY IS REPLACED BY AN INCORRECT TYPE. DISPOSE OF USED BATTERIES ACCORDING TO THE INSTRUCTIONS.

Hereby, We, MeiG Smart Technology Co., Ltd declares that this device Lime-4.0-NA is in compliance with the essential requirements and other relevant provisions of Directive 2014/53/NA.

A minimum separation distance of 20 cm must be maintained between the user's body and the device, including the antenna during body-worn operation to comply with the RF exposure requirements in NA.

Product Specification

WWAN	Supports Bands (MHz) :	Max Power:
	WCDMA Band II: Tx 1850~1910, Rx 1930~1990	23dBm
	WCDMA Band IV : Tx 1710~1755, Rx 2110~2155	23dBm
	WCDMA Band V: Tx 824~849, Rx 869~894	23.5dBm
	LTE Band 2: Tx 1850~1910, Rx 1930~1990	23dBm
	LTE Band 4: Tx 1710~1755, Rx 2110~2155	23dBm
	LTE Band 12: Tx 699~716, Rx 729~746	23.5dBm
	LTE Band 13: Tx 777~787, Rx 746~756	23.5dBm
LTE Band 17: Tx 704~716, Rx 734~746	23.5dBm	
WLAN	Frequency (MHz): 2412~2472	10dBm
BT	Frequency (MHz): 2402~2480	4dBm

FCC Statement

1. This device complies with Part 15 of the FCC Rules. Operation is subject to the following two conditions:

- (1) This device may not cause harmful interference.
- (2) This device must accept any interference received, including interference that may cause undesired operation.

2. Changes or modifications not expressly approved by the party responsible for compliance could void the user's authority to operate the equipment.

NOTE:

This equipment has been tested and found to comply with the limits for a Class B digital device, pursuant to Part 15 of the FCC Rules. These limits are designed to provide reasonable protection against harmful interference in a residential installation.

This equipment generates uses and can radiate radio frequency energy and, if not installed and used in accordance with the instructions, may cause harmful interference to radio communications. However, there is no guarantee that interference will not occur in a particular installation. If this equipment does cause harmful interference to radio or television reception, which can be determined by turning the equipment off and on, the user is encouraged to try to correct the interference by one or more of the following measures:

Reorient or relocate the receiving antenna.

Increase the separation between the equipment and receiver.

Connect the equipment into an outlet on a circuit different from that to which the receiver is connected.

Consult the dealer or an experienced radio/TV technician for help.