

Lime-V3-NA User Manual

File Name: Lime-V3-NA User Manual

Version Number: V1.0

Release Date: 2021/02/01

Revising records

No.	Version	Date	Author	Comments
<i>1</i>	<i>V1.0</i>	<i>2021/02/01</i>	<i>Chang.Wang</i>	<i>Create</i>

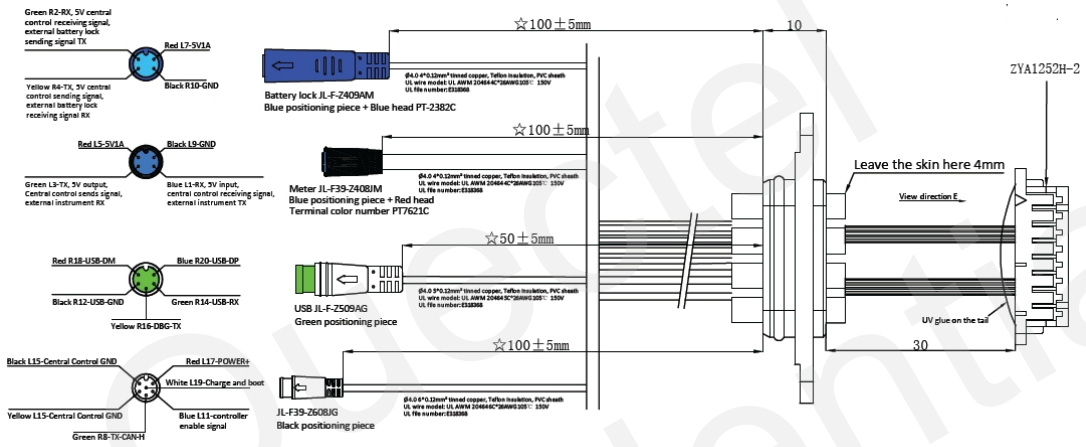
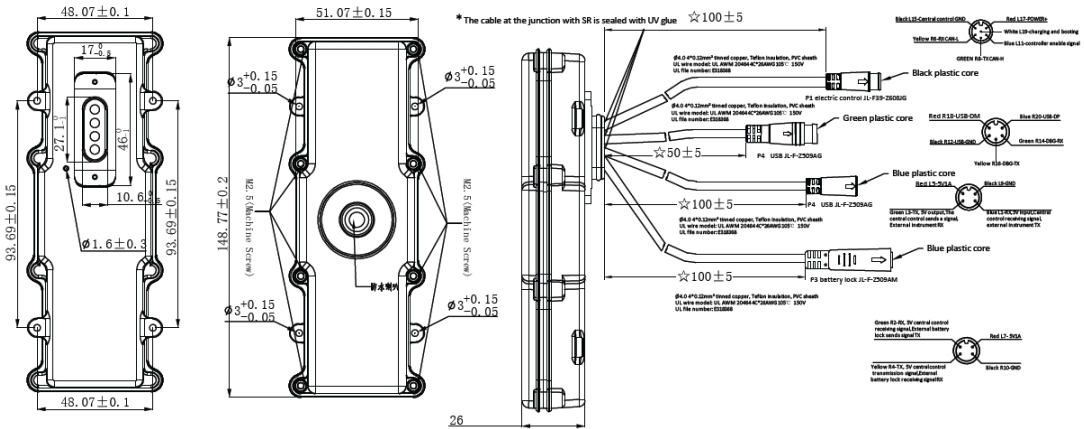
Product appearance

This product is a product of intelligent lock controller, which is the control part of the intelligent lock on shared scooters.



Hardware interface





Starting up

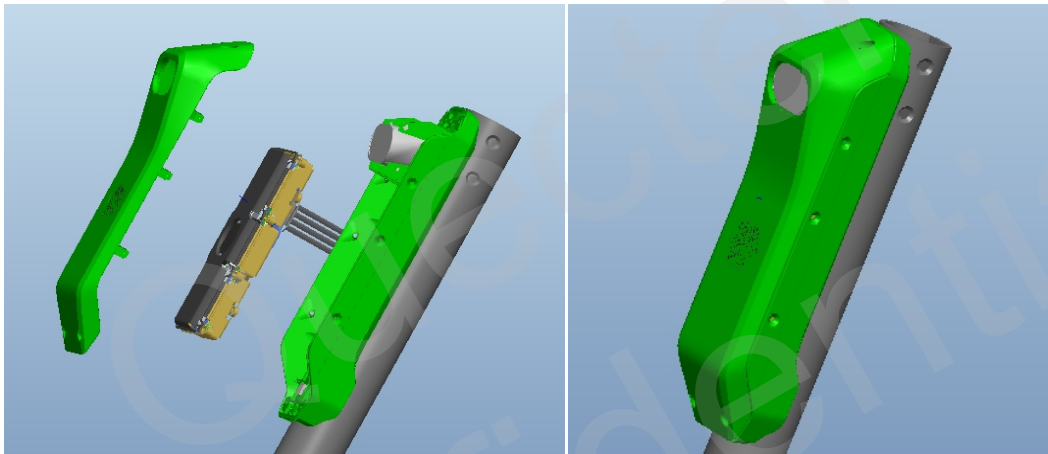
The magnet must be close to the circle area to open the CCU.



Operating temperature

-20°C to 45°C

Installation method



CE Statements

Battery:

CAUTION : RISK OF EXPLOSION IF BATTERY IS REPLACED BY AN INCORRECT TYPE. DISPOSE OF USED BATTERIES ACCORDING TO THE INSTRUCTIONS.

Hereby, We, Quectel Wireless Solutions Co., Ltd. declares that this device Lime-V3-NA is in compliance with the essential requirements and other relevant provisions of Directive 2014/53/EU.

A minimum separation distance of 20 cm must be maintained between the user's body and the device, including the antenna during body-worn operation to comply with the RF exposure requirements in Europe.

Product Specification

BLE	2402MHz~2480MHz
WCDMA Band2	1850MHz~1910MHz
WCDMA Band4	1710MHz ~1755MHz
WCDMA Band5	824MHz ~849MHz
LTE Band2	1850MHz~1910MHz
LTE Band4	1710MHz ~1755MHz
LTE Band5	824MHz ~849MHz
LTE Band12	698MHz - 716MHz
LTE Band13	777MHz - 787MHz

Warning statements for Japan

A minimum separation distance of 20 cm must be maintained between the user's body and the device, including the antenna during body-worn operation to comply with the RF exposure requirements in Japan.

FCC Statement

1. This device complies with Part 15 of the FCC Rules. Operation is subject to the following two conditions:

- (1) This device may not cause harmful interference.
- (2) This device must accept any interference received, including interference that may cause undesired operation.

2. Changes or modifications not expressly approved by the party responsible for compliance could void the user's authority to operate the equipment.

NOTE:

This equipment has been tested and found to comply with the limits for a Class B digital device, pursuant to Part 15 of the FCC Rules. These limits are designed to provide reasonable protection against harmful interference in a residential installation.

This equipment generates uses and can radiate radio frequency energy and, if not installed and used in accordance with the instructions, may cause harmful interference to radio communications. However, there is no guarantee that interference will not occur in a particular installation. If this equipment does cause harmful interference to radio or television reception, which can be determined by turning the equipment off and on, the user is encouraged to try to correct the interference by one or more of the following measures:

Reorient or relocate the receiving antenna.

Increase the separation between the equipment and receiver.

Connect the equipment into an outlet on a circuit different from that to which the receiver is connected. Consult the dealer or an experienced radio/TV technician for help.