

LBCAT-B LBCAT-H/LBCAT-E User Manual

File Name: LBCAT-B and LBCAT-H/LBCAT-E User Manual

Version Number: V1.0

Release Date: 2018/5/2

FCC Statement

This device complies with part 15 of the FCC Rules. Operation is subject to the following two conditions: (1) This device may not cause harmful interference, and (2) This device must accept any interference received, including interference that may cause undesired operation.

This device has been tested and found to comply with the limits for a Class B digital device, pursuant to Part 15 of the FCC Rules. These limits are designed to provide reasonable protection against harmful interference in a residential installation. This equipment generates, uses and can radiate radio frequency energy and, if not installed and used in accordance with the instructions, may cause harmful interference to radio communications. However, there is no guarantee that interference will not occur in a particular installation. If this equipment does cause harmful interference to radio or television reception, which can be determined by turning the equipment off and on, the user is encouraged to try to correct the interference by one or more of the following measures:

- Reorient or relocate the receiving antenna.
- Increase the separation between the equipment and receiver.
- Connect the equipment into an outlet on a circuit different from that to which the receiver is connected.
- Consult the dealer or an experienced radio/TV technician for help.

Caution: Changes or modifications not expressly approved by the party responsible for compliance could void the user's authority to operate the equipment.

RF Exposure Information

This device complies with FCC radiation exposure limits set forth for an uncontrolled environment. In order to avoid the possibility of exceeding the FCC radio frequency exposure limits, human proximity to the antenna shall not be less than 20cm (8 inches) during normal operation.

Revising records

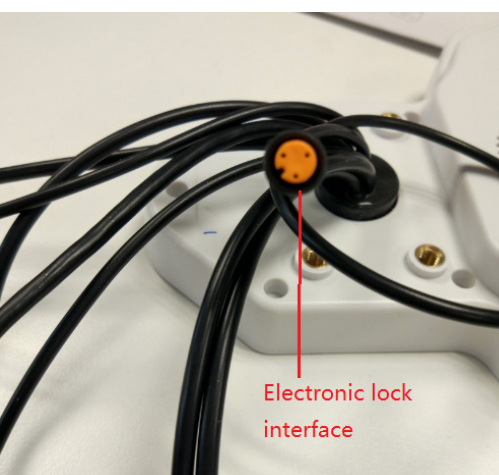
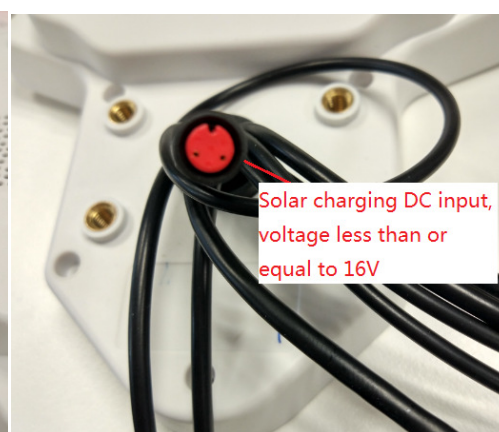
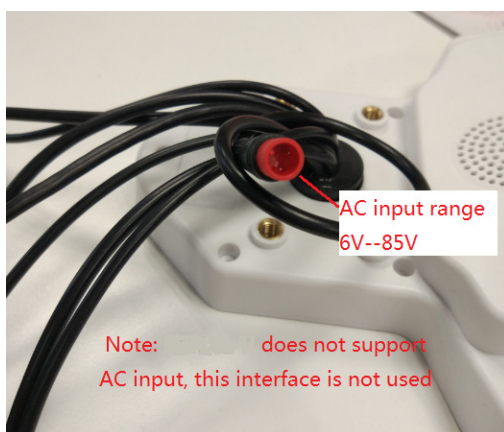
No.	Version	Date	Author	Comments
<i>1</i>	<i>V1.0</i>	<i>2018/5/2</i>	<i>Hu Bin</i>	<i>Create</i>

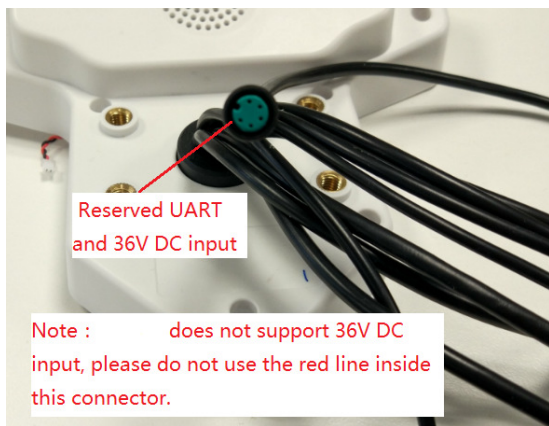
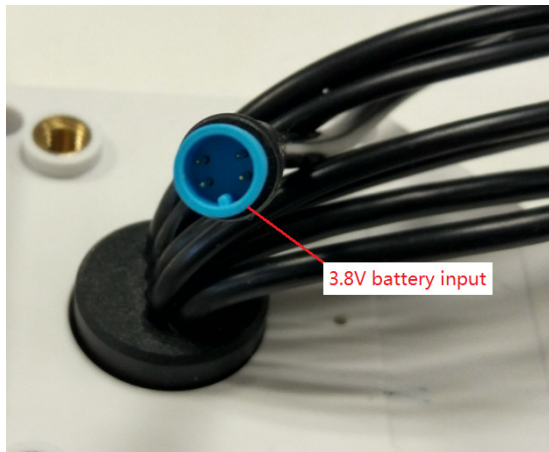
Product appearance

This product is a product of intelligent lock controller, which is the control part of the intelligent lock on shared electric bicycle.



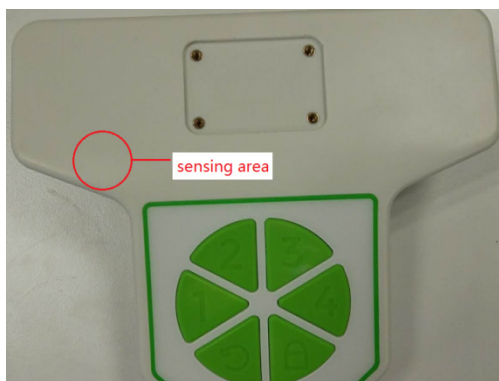
Hardware interface





Starting up

The magnet must be close to the induction area to open the machine.



Installation method

