

# 小米生态链产品包装图纸

图纸提供单位

创米

材质工艺要求

尺寸：**75x80mm**  
材质：**金东太空梭105g无光铜**

制作工序：**印刷+模切**

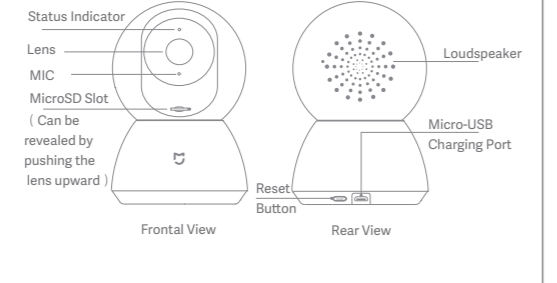
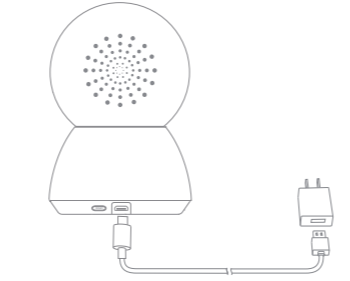

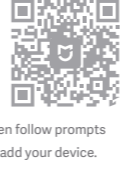

印刷要求：**正反面印刷，色相正确、印迹牢固、套印准确、各色套印不露杂色，套印误差 ≤ 0.1mm，**



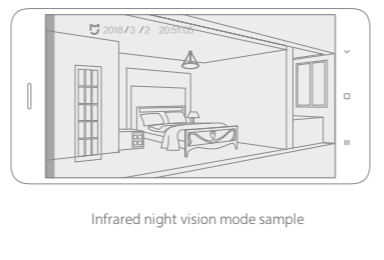
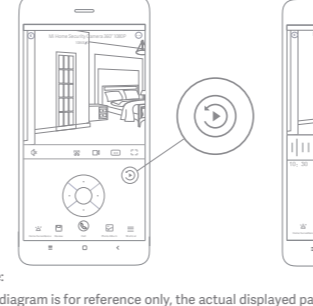


工艺要求：**风琴折，模切走位 ≤ ±0.2mm**

纹理方向

备注

项目名称	
版本号	
设计时间	2018-4-28
设计师	
设计师	
设计师	
比例	<b>1:1</b>
单位	<b>mm</b>

<p>MI Home Security Camera 360° 1080P User Manual</p> <p>Product Overview</p>  <p>Package Contents: MI Home Security Camera 360° 1080P x 1, Lens cap x 1, Power adapter x 1, User manual x 1, Wall-mounting accessories pack x 1</p>	<p>Read this manual carefully before use, and retain it for future reference</p> <p>Product Installation</p> <p>The MI Home Security Camera 1080P can be placed on a number of horizontal surfaces, such as a writing desk, dining table, and coffee table. It can also be mounted on the wall.</p> <p>Mounting the Security Camera on a Wall</p> <ol style="list-style-type: none"> <li>Drill two holes on the wall by using the base of the security camera as a template. It is recommended that you mark the locations of the holes with a pencil before drilling. The diameter of each hole is approximately 4 mm, and the depth is approximately 25 mm.</li> <li>Insert the two plastic anchors into the holes on the wall.</li> <li>Make sure to position the base unit so that the arrow is pointing up. Secure the base unit in place by tightening the screws into the plastic anchors.</li> <li>Match the grooves on the bottom of the camera unit with the raised area in the hole cut out. Press down until the two surfaces are flush, then turn the camera unit in either direction to lock it in position.</li> </ol> <p>When mounting the security camera on a wall, please note that the wall must be able to support at least triple the product's total weight.</p>	<p>Product Instructions</p> <p>Turning the Device On</p> <p>The MI Home Security Camera will automatically activate once the power cable is inserted into the Micro-USB charging port.</p>  <p>Indicator Light</p> <p>Steady blue on connected/device status is normal</p> <p>Flashing blue: network error</p> <p>Flashing orange: ready waiting for connection</p> <p>Flashing orange slowly: system upgrade in progress</p> <p>Installing a MicroSD Card</p> <p>Make sure that the power to the security camera is already disconnected. Adjust the camera lens upward until the MicroSD slot is revealed, then insert the MicroSD card into the slot with contact points must be facing down. Note: Please shut off the security camera's power supply before inserting or removing the MicroSD card. Please use a genuine MicroSD card manufactured by a qualified supplier, and make sure that the card's total storage capacity is 64GB or less, with a reading/writing speed of no less than UHS Class 10.</p>  <p>Restore Factory Settings</p> <p>Press and hold the Reset button to restore your device to factory settings. Data stored on the MicroSD card is not erased.</p>	<p>Quick Setup</p> <p>Install MI Home App</p> <p>Scan the QR code or go to App store to download and install MI Home app.</p> <p>Control your device and interact it with other smart home devices in MI Home app.</p> <p>Add a Device</p> <p>Open MI Home app, tap "+" on the upper right, and then follow prompts to select MI Home Security Camera 360° 1080P and add your device.</p>  <p>Connection Setup</p> <p>Ensure there is a stable internet connection. The indicator light will blink orange. Open up your mobile app and follow the prompts to connect to the device. The indicator light will remain blue when the connection is successfully made.</p> 	<p>Precautions</p> <ul style="list-style-type: none"> <li>The suitable operating temperature range for this product is between -10°C and 50°C. Please do not use the product in an environment with temperature above or below the specified range.</li> <li>The security camera is a precision electronic product. In order to ensure its normal operation, please do not install the device in an environment with high humidity level or allow water to enter the product.</li> <li>To improve the product's performance, please do not place the camera lens facing or next to a reflective surface, such as glass windows/doors and mirrors, which will cause the image to appear overly bright in areas close to the camera and darker in areas further away, or cause the camera to produce white images.</li> <li>Please install the product in areas with Wi-Fi reception, and try to place the device where the Wi-Fi signal is strong. In addition, please keep the security camera away from metal structures, microwave ovens, or other locations where signal strength may be impacted.</li> </ul>
---	---	--	---	--

<p>Consult the dealer or an experienced radio/TV technician for help.</p> <p>FCC 2016 Statement: This equipment complies with FCC radiation exposure limits set forth for an uncontrolled environment. This equipment should be installed and operated with a minimum distance of 20cm between the radiator &amp; your body. This transmitter must not be co-located or operating in conjunction with any other antenna or transmitter.</p> <p>FCC ID: AAKH-IP0005A</p>	<p>FCC Statement</p> <p>Changes or modifications not expressly approved by the party responsible for compliance could void the user's authority to operate the equipment.</p> <p>This device complies with Part 15 of the FCC Rules.</p> <p>Operation is subject to the following two conditions:</p> <p>(1) This device may not cause harmful interference, and</p> <p>(2) This device must accept any interference received, including interference that may cause undesired operation.</p> <p>Note: This equipment has been tested and found to comply with the limits for a Class B digital device, pursuant to Part 15 of the FCC Rules. These limits are designed to provide reasonable protection against harmful interference in a residential installation. This equipment generates, uses, and can radiate radio frequency energy, and if not installed and used in accordance with the instructions, may cause harmful interference to radio communications. However, there is no guarantee that interference will not occur in a particular installation. If this equipment does cause harmful interference to radio or television reception, which can be determined by turning the equipment off and on, the user is encouraged to try to correct the interference by one or more of the following measures:</p> <ul style="list-style-type: none"> <li>Reorient or relocate the receiving antenna.</li> <li>Increase the separation between the equipment and receiver.</li> <li>Connect the equipment into an outlet on a circuit different from that to which the receiver is connected.</li> </ul>	<p>Specifications</p> <p>Home MI Home Security Camera 360° 1080P</p> <p>Model: MJSDJ02CM</p> <p>Focal Length: 0.11 inches</p> <p>Resolution: 1080P</p> <p>Net weight: 4.62 oz</p> <p>Expandable Memory: MicroSD card (up to 64 GB)</p> <p>Video Encoding: H.264/265</p> <p>Item dimensions: 4.64 inches x 3.07 inches x 3.07 inches</p> <p>Operating Temperature: -4°F ~ 122°F</p> <p>Compatible with: Android 4.4, iOS 9.0 or later</p> <p>Wireless connectivity: Wi-Fi IEEE 802.11 b/g/n 2.4 GHz</p> <p>We hereby declare that all essential radio test data have been carried out and that the above named product is in conformity with all the essential requirements of Directive 2014/53/EU.</p> <p>Conclusion: When tested as specified, the results shown on the report meet the requirements of the Radio &amp; Recycling / Recovery Part of Directive 2012/19/EU released on 04 October 2012.</p> <p>Manufactured for: Haomai Communications Co., Ltd.</p> <p>Manufacturer by: Shenzhen Haisi Technology Co., Ltd.</p> <p>6A MI Ecosystem company</p> <p>Address: Room 908, Block No. 1, Lane 209, Shengqian Road, Zhongliang Hi-Tech Park, Shanghai, China 201202</p> <p>For further information, please go to www.mi.com</p> 	<p>Real-Time Monitoring</p> <p>Launch the MI Home app and select a MI Home Security Camera 360° 1080P that is already connected to monitor the surroundings in real-time. The camera's control interface allows you to adjust the brightness of the image, as well as to change the device's color and horizontal viewing angle. Additional features such as screen capture or record and remote communications can also be performed.</p>  <p>Note: The diagram is for reference only. Actual display will vary based on different versions of the MI Home platform and your smartphone model.</p>	<p>Supporting infrared and image-intensified night vision</p> <p>With the incorporation of night infrared illuminators, the security camera is able to view up to a distance of 8 m and capture crystal clear images in the dark.</p>  <p>Infrared night vision mode sample</p> <p>Note: This diagram is for reference only. The actual displayed page might look slightly different due to difference in the used version of MI Home and/or OS version on your mobile phone.</p>	<p>Playback</p> <p>MI Home Security Camera's playback feature is only available after installing a compatible MicroSD card. Once a MicroSD card has been installed and the security camera is turned on, videos will be recorded automatically. 360° 1080P control interface in the MI Home app. After entering the center interface of the Playback feature, simply slide the bar on the timeline to select the time period you wish to view.</p>  <p>Note: This diagram is for reference only. The actual displayed page might look slightly different due to difference in the used version of MI Home and/or OS version on your mobile phone.</p>	<p>Automatic Monitoring</p> <p>Automatic monitoring can be configured through the MI Home Security Camera 360° 1080P control interface in the MI Home app.</p> <ul style="list-style-type: none"> <li>Available options include 24-hour, daytime, and nighttime monitoring.</li> <li>You can also create your own schedule and set the device's camera angle.</li> <li>This product is able to detect movements within its field of view. Once movements are detected.</li> </ul> 	<p>Shared Remote Viewing</p> <p>Through the MI Home Security Camera 360° 1080P control interface in the MI Home app, you can set your security camera as a shared device under the General Settings menu, and invite your friends to view the camera remotely. Your friends will be required to download the MI Home app and log in with their Mi account.</p>  <p>Note: This diagram is for reference only. The actual displayed page might look slightly different due to difference in the used version of MI Home and/or OS version on your mobile phone.</p>
---	--	---	--	---	---	--	---

专色：**pantone cool Gray 11C**

字体：**方正悠黑\_504L、方正悠黑\_506L**

字号：**6.5/5.5pt**

商品ID	SKU编码	商品名称	69码	产品型号
18119	QDJ4026CN	小米米家智能摄像机云台版	6934177701795	MJSXJ02CM

历史版本

版本号：  
修改点：  
修改人：

版本号：  
修改点：  
修改人：

版本号：  
修改点：  
修改人：

版本号：  
修改点：  
修改人：

版本号：  
修改点：  
修改人：