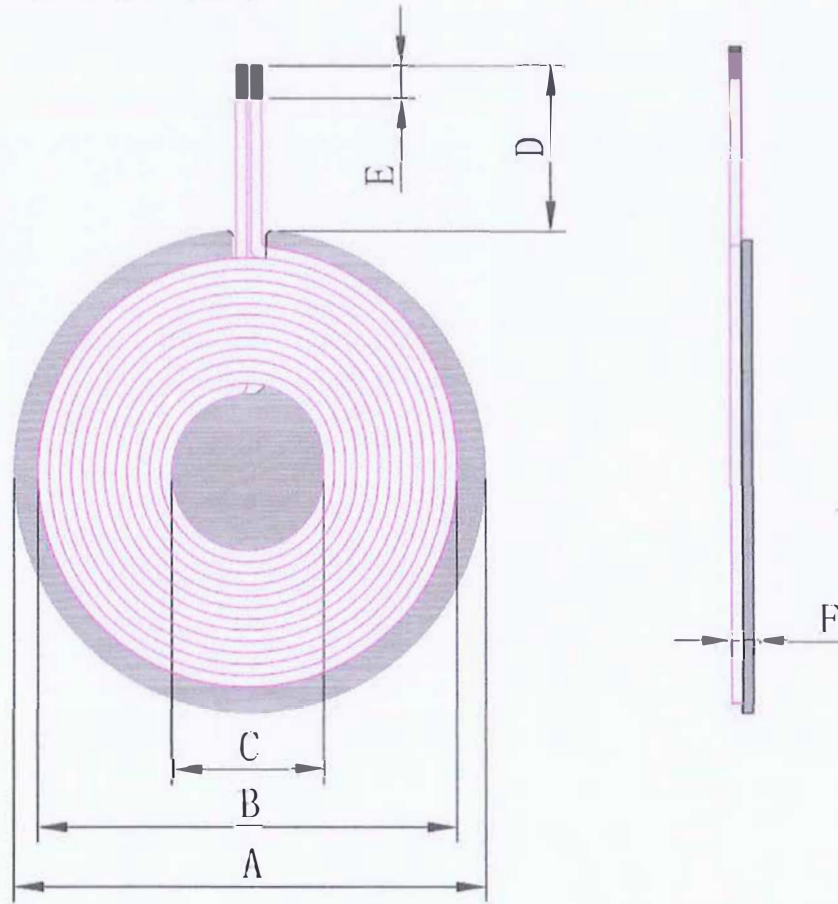


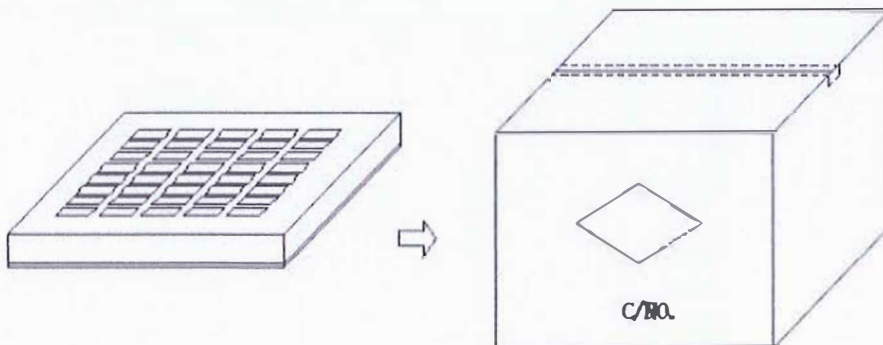
CUSTOMER	ZH-19	CUSTOMER'S P/N	
ISSUE DATE	2021年4月2日	PRODUCT SPEC	ZH-PYS-Z008

2.DIMENSION: (mm)



A	$\phi 43.5 \pm 1.0$
B	$\phi 39.0 \pm 1.0$
C	$\phi 13.8$ REF
D	40.0 ± 2.0
E	3.0 ± 1.5
F	2.4 MAX

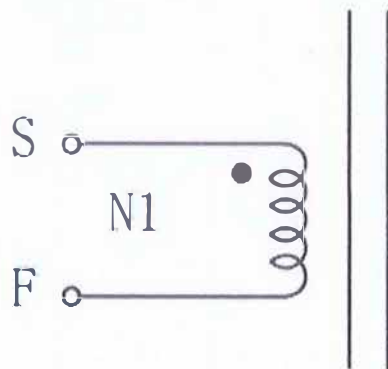
3.PACKAGING



carton: 30*40*27cm Each
plate: 280pcs, total 4
FCL: 1120pcs

CUSTOMER	ZH-19	CUSTOMER'S P/N	
ISSUE DATE	2021年4月2日	PRODUCT SPEC	ZH-PYS-Z008

4.CIRCUIT DIAGRAM



“ ● ” : POLARITY

5.WINDING

NO	WINDING	WIRE	TURNS	TAPE	WINDING CONDITION
N1	S-F	∅0.08*105P	12Ts REF	/	CLOSE 1 layer

6.CHARACTERISTIC

ITEM	MEASURED POINT	TECHNICAL DATA	TESTING CONDITION & INSTRUMENT
LS	S-F	6.5uH±10%	100KHz/1V AT 25°C±2°C
Q	S-F		
DCR	S-F		