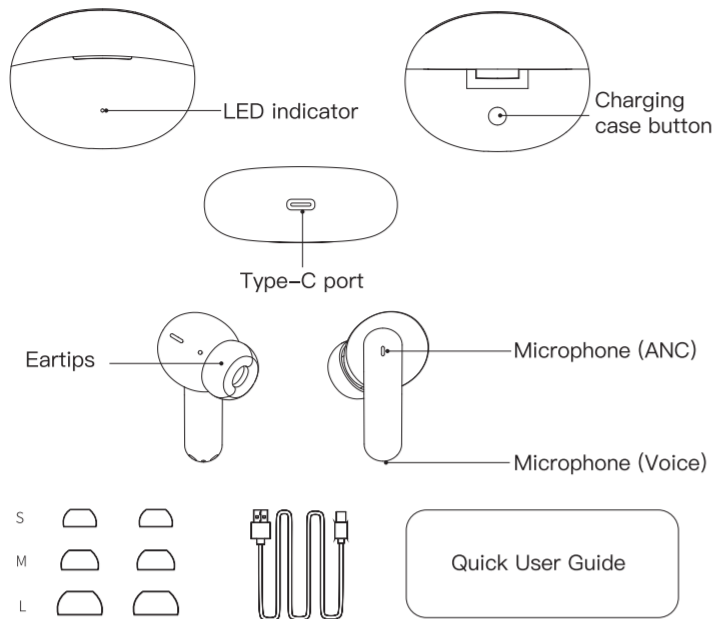


# FRONT

## Function Overview:



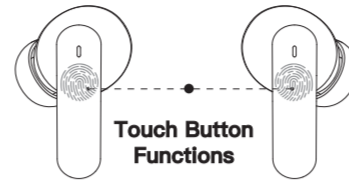
## How to use these Earphones:

### Power ON:

When the charging case is opened, both earphones will automatically power ON and pair to each other. Or when the earphones are OFF you can press and hold both touch buttons for 8 seconds to turn them ON.

### Power OFF:

Put earphones back into the charging case and close the lid, they will be automatically powered OFF. Or you can press and hold the touch button of either earphone for 8 seconds, both earphones will be turned OFF.



## Touch Button Functions

	Left Earbud	Right Earbud
<b>Single Press</b>	Decrease Volume	Increase Volume
<b>Double Press</b>	Track Skip Back	Track Skip Forward
<b>Press and Hold</b>	Voice Assistant	Play/Pause
<b>Triple Press</b>	Low Latency On/Off	ANC On/ Ambient ON Sound Modes Off

## Single Use Mode

If only one earbud is used the functions automatically change to.

<b>Single Press</b>	Decrease Volume
<b>Double Press</b>	Increase Volume
<b>Press and Hold</b>	Voice Assistant
<b>Triple Press</b>	Low Latency On/Off

## Change mode:

### Press the right button 3 times:

Noise Cancelling On > Ambient Mode On > Sound Modes Off > Noise Cancelling On ...

### Press the left button 3 times:

Low Latency On > Low Latency Off > Low Latency On ...

**ANC (Active Noise Cancelling)** actively cancels noise around you so that you can hear your music/movies or calls more clearly with less distraction.

**Ambient Mode** turns off ANC and instead actively amplifies sound around you to counter-act the passive noise reduction of the earphones for situations where you want to hear speech or traffic noise or other ambient sounds.

**Clear Calling** uses the two microphones to cancel noise pickup in your microphone channel on calls. Clear calling is always enabled when a call is made (and can be used with ANC if desired).

## Low Latency mode:

Reduces the latency (time delay) inherent in Bluetooth connections to less than 60ms in the earphones which is imperceptible for most people. Improves lip-sync and provides fastest sound feedback for mobile gaming.

## Pairing the Earphones with your phone/tablet/Bluetooth device

- Go to "Bluetooth" Settings on your Bluetooth device.
- Turn the Bluetooth ON, on your device.
- Open the charging case, the LED on the case will light up, The earbuds will automatically turn on and pair to each other. Now they can be paired to your device.
- On your Bluetooth Device, select **Aiwa Prodigy Clear Plus**

## Charging the Case:

- The case can be charged by USB (wired) or Qi (wireless).
- The case LED flashes when charging. Flashing amber when case charge is <20% and flashing green when >20%. The LED goes solid green when the case is fully charged.
- For USB charging use the supplied USB A to USB C cable and a standard USB adaptor or socket (5V 1A).
- For Qi charging place the case on a Qi pad so that the back of the case lies flat on the pad and the case in the middle of the charging area.
- Unplug the cable or remove the case from the Qi pad when the case is fully charged.

## Charging the Earphones:

- Place the earphones into the case. Make sure they make good contact with the charging pins.
- Before first use of the earphones please charge them to 100%.

**Warning: Only use the provided case never try to charge from another case or device.**

**Restore factory settings** Open the cover of the charging case, press and hold the button on the rear of the case for around 8 seconds to clear the pairing history and restore the factory settings.

# BACK

## Specifications:

**Model No:**  
AI1202-BLK-STK

**Playing time (ANC OFF):**  
up to 7 hours

**ANC depth:**  
25+/-2dB

**Charging case battery capacity:**  
350mAh

**Bluetooth version:**  
5.0v

**Earbud charging time:**  
around 30 mins

**Driver size:**  
Φ10mm

**Fast charging:**  
5 minutes = 1 hour playtime

**Effective range:**  
up to 15 meters

**Case charging:**  
USB: Around 2 hours  
Qi: Around 2.5 hours

**Earbud battery capacity:**  
40mAh

**Charges in case:**  
3

**Playing time (ANC ON):**  
up to 4.5 hours

**Charging port:**  
Type-C USB

The Bluetooth® word mark and logos are registered trademarks owned by Bluetooth® SIG, Inc.  
CAUTION: RISK OF EXPLOSION IF BATTERY IS REPLACED BY AN INCORRECT TYPE.  
DISPOSE OF USED BATTERIES ACCORDING TO THE INSTRUCTIONS

**WARNING** Do not dispose of unit in fire or water. >Never attempt to disassemble and reassemble. Waste electrical products should not be disposed of with household waste >.please recycle where facilities exist. >Check with your local authority for recycle advice > Keep your device and all accessories out of the reach of children and animals, Small parts may cause choking or serious injury if swallowed. Avoid exposing your device to very cold or very hot temperatures ( below 0°C or above 45°C. , Extreme temperatures can cause deforming of the device and reduce the charging capacity and life of your device. Do not allow your device to get wet-liquids can cause serious damage, Do not handle your device with wet hands.

This product shall be supplied by a power source not exceeding PS1 only. >This Bluetooth earpiece shall be charged by the supplied charging unit only.  
**CAUTION** > The batteries in this product are not replaceable. > During use, storage or transportation the battery should not be subjected to extremely low temperatures, or low air pressure at high altitude. > If the battery is exposed to extremely high temperatures it could result in an explosion or the leaking of flammable liquid or gas. > Please take care when disposing of the unit; disposal in a fire, oven, mechanically crushing or cutting machine could cause explosion.

**aiwa**



## Prodigy Clear Plus Noise Cancelling Earphones Operating Instructions

### Includes:

- True wireless earphones
- Charging case
- Charging cable(USB-C cable)
- Small and large eartips (medium fitted)



Bluetooth pairing name **Aiwa Prodigy Clear Plus**

#### FCC Warning Statement

Changes or modifications not expressly approved by the party responsible for compliance could void the user's authority to operate the equipment. This equipment has been tested and found to comply with the limits for a Class B digital device, pursuant to Part 15 of the FCC Rules. These limits are designed to provide reasonable protection against harmful interference in a residential installation. This equipment generates uses and can radiate radio frequency energy and, if not installed and used in accordance with the instructions, may cause harmful interference to radio communications. However, there is no guarantee that interference will not occur in a particular installation. If this equipment does cause harmful interference to radio or television reception, which can be determined by turning the equipment off and on, the user is encouraged to try to correct the interference by one or more of the following measures:

- - Reorient or relocate the receiving antenna.
- - Increase the separation between the equipment and receiver.
- - Connect the equipment into an outlet on a circuit different from that to which the receiver is connected.
- - Consult the dealer or an experienced radio/TV technician for help.

This device complies with part 15 of the FCC Rules. Operation is subject to the following two conditions: (1) This device may not cause harmful interference, and (2) this device must accept any interference received, including interference that may cause undesired operation.

The device has been evaluated to meet general RF exposure requirement.