

S

T

S

L

A

B



RADIO TEST REPORT

Report No.: STS2211341W02

Issued for

Whoop International Trading Limited

Flat-B 8/F Chong Gming Building 72 Cheung Sha Wan Road,
Kowloon Hong Kong, China

Product Name:	8 inch Quad Core 4G Tablet PC
Brand:	WHOOOP, ROVER
Model Number:	TAB-8US2
Series Model(s):	R8
FCC ID:	2AP7LTAB8US2
Test Standard:	47 CFR Part 2, 22, 24(E), 27

Any reproduction of this document must be done in full. No single part of this document may be reproduced without permission from STS, all test data presented in this report is only applicable to presented test sample.

Shenzhen STS Test Services Co., Ltd.
A 1/F, Building B, Zhuoke Science Park, No.190 Chongqing Road, HepingShequ,
Fuyong Sub-District, Bao'an District, Shenzhen, Guang Dong, China
TEL: +86-755 3688 6288 FAX: +86-755 3688 6277 E-mail: sts@stsapp.com





TEST RESULT CERTIFICATION

Applicant's Name.....: Whoop International Trading Limited
Address.....: Flat-B 8/F Chong Gming Building 72 Cheung Sha Wan Road, Kowloon Hong Kong, China
Manufacturer's Name.....: Shenzhen Teleone Technology Co.,Ltd
Address.....: Tower B 5/F, Shanshui Building, Nanshan Yungu Innovation Industry Park, 4093 Liuxian Avenue, Shenzhen, China

Product Description

Product Name.....: 8 inch Quad Core 4G Tablet PC
Brand.....: WHOOP, ROVER
Model Number.....: TAB-8US2
Series Model(s).....: R8

Test Standards.....: 47 CFR Part 2, 22, 24(E), 27
Test Procedure.....: KDB 971168 D01 v03r01, ANSI C63.26 2015

This device described above has been tested by STS, the test results show that the equipment under test (EUT) is in compliance with the FCC requirements. And it is applicable only to the tested sample identified in the report.
This report shall not be reproduced except in full, without the written approval of STS, this document may be altered or revised by STS, personal only, and shall be noted in the revision of the document.

Date of Test.....:
Date of receipt of test item.....: 29 July 2022
Date (s) of performance of tests.: 29 July 2022 ~ 30 Nov. 2022
Date of Issue.....: 09 Dec. 2022
Test Result.....: Pass

Testing Engineer : [Signature]
(Chris Chen)

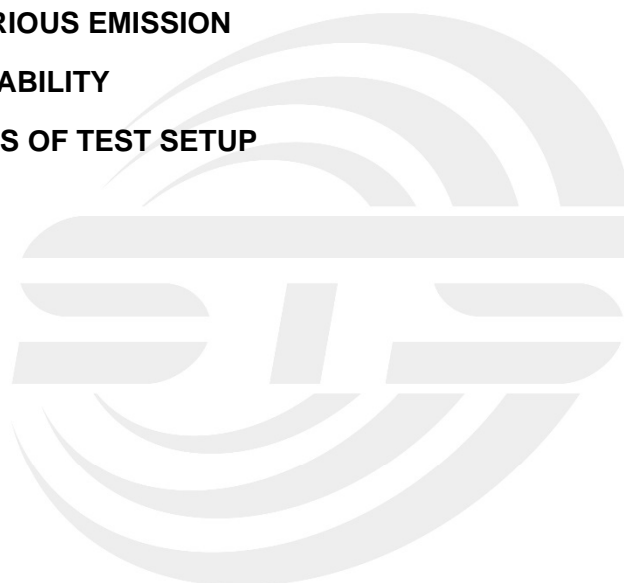
Technical Manager : [Signature]
(Sean she)

Authorized Signatory : [Signature]
(Bovey Yang)





Table of Contents	Page
1. TEST FACTORY & MEASUREMENT UNCERTAINTY	5
2. GENERAL INFORMATION	6
3. CONDUCTED OUTPUT POWER&RADIATED POWER AND EFFECTIVE ISOTROPIC RADIATED POWER	15
4. PEAK-TO-AVERAGE RATIO	42
5. OCCUPIED BANDWIDTH	43
6. CONDUCTED BAND EDGE	44
7. CONDUCTED SPURIOUS EMISSION	46
8. RADIATED SPURIOUS EMISSION	47
9. FREQUENCY STABILITY	76
APPENDIX-PHOTOS OF TEST SETUP	82



**Revision History**

Rev.	Issue Date	Report NO.	Effect Page	Contents
00	15 Aug. 2022	STS2207329W02	ALL	Initial Issue
00	09 Dec. 2022	STS2211341W02	ALL	Update Radiation Spurious data and Add two Adapters, added trademarks and models.





1. TEST FACTORY & MEASUREMENT UNCERTAINTY

1.1 TEST FACTORY

SHENZHEN STS TEST SERVICES CO., LTD

Add. : A 1/F, Building B, Zhuoke Science Park, No.190 Chongqing Road, HepingShequ, Fuyong Sub-District, Bao'an District, Shenzhen, Guang Dong, China

FCC test Firm Registration Number: 625569

IC test Firm Registration Number: 12108A

A2LA Certificate No.: 4338.01

1.2 MEASUREMENT UNCERTAINTY

The reported uncertainty of measurement $y \pm U$, where expanded uncertainty U is based on a standard uncertainty multiplied by a coverage factor of $k=2$, providing a level of confidence of approximately 95 %.

No.	Item	Uncertainty
1	RF output power, conducted	$\pm 0.87\text{dB}$
2	Unwanted Emissions, conducted	$\pm 2.895\text{dB}$
3	All emissions, radiated 9K-30MHz	$\pm 3.80\text{dB}$
4	All emissions, radiated 30M-1GHz	$\pm 4.09\text{dB}$
5	All emissions, radiated 1G-6GHz	$\pm 4.92\text{dB}$
6	All emissions, radiated >6G	$\pm 5.49\text{dB}$
7	Conducted Emission (9KHz-30MHz)	$\pm 2.73\text{dB}$



2. GENERAL INFORMATION

2.1 TECHNICAL SPECIFICATIONS AND REGULATIONS

2.1.1 PRODUCT DESCRIPTION

A major technical description of EUT is described as following:

Product Name	8 inch Quad Core 4G Tablet PC
Brand	WHOOOP, ROVER
Model Number	TAB-8US2
Series Model(s)	R8
Model Difference	N/A
Frequency Bands	U.S. Bands: LTE FDD Band 2 LTE FDD Band 4 LTE FDD Band 5 LTE FDD Band 12 LTE FDD Band 66
SIM Card	Only support single SIM Card.
Antenna	PIFA
Antenna gain	LTEB2: 0.87dBi, LTEB4: 1.70dBi, LTEB5: -0.20dBi, LTEB12: -2.44dBi, LTEB66: 1.70dBi
Battery parameter	Rated Voltage:3.8V Charge Limit Voltage:4.35V Capacity: 4000mAh
Adapter	Model: XTA10W0501500U1 Input: AC 100-240V, 50-60Hz, 0.35A Output: DC 5V 1.5A Model: XTB10W0501500U Input: 100-240V, 50-60Hz, 0.35A Output: DC 5V 1.5A Model: YMK-12W050150 Input: 100-240V~ 50/60Hz 0.3A Output: DC 5V 1.5A
Extreme Vol. Limits	3.4V to 4.35V (Nominal 3.8V)
Extreme Temp. Tolerance	-10°C to +45°C
Hardware version number	J865_610&310_D3EF_V1.1
Software version number	WHOOOP_TAB-8US2_11_V03_20220829

Note: The antenna information refer the manufacturer provide report, applicable only to the tested sa-mple identified in the report.



2.1.2 PRODUCT SPECIFICATION SUBJECTIVE TO THIS STANDARD

Product Specification Subjective To This Standard	
Tx Frequency	LTE Band 2:1850~1910MHz LTE Band 4:1710~1755MHz LTE Band 5:824~849MHz LTE Band 12:699~716MHz LTE Band 66:1710~1780MHz
Rx Frequency	LTE Band 2:1930 ~1990MHz LTE Band 4:2110~2155MHz LTE Band 5:869~894MHz LTE Band 12:729~746MHz LTE Band 66:2110~2200MHz
Bandwidth	LTE Band 2: 1.4MHz / 3MHz / 5MHz / 10MHz / 15MHz / 20MHz LTE Band 4: 1.4MHz / 3MHz / 5MHz / 10MHz / 15MHz /20MHz LTE Band 5: 1.4MHz / 3MHz / 5MHz / 10MHz LTE Band 12: 1.4MHz / 3MHz / 5MHz / 10MHz LTE Band 66: 1.4MHz / 3MHz / 5MHz / 10MHz / 15MHz /20MHz
Maximum Output Power	LTE Band 2: 22.75 dBm LTE Band 4: 22.75 dBm LTE Band 5: 22.81dBm LTE Band 12: 23.15 dBm LTE Band 66: 22.89 dBm
Type of Modulation	QPSK /16QAM



2.1.3 EMISSION DESIGNATOR

LTE Band 2 BW(MHz)	Emission Designator (99%OBW)QPSK	Emission Designator (99%OBW)16QAM
1.4	1M10G7D	1M10W7D
3	2M70G7D	2M70W7D
5	4M51G7D	4M51W7D
10	8M99G7D	8M98W7D
15	13M5G7D	13M4W7D
20	18M0G7D	18M0W7D
LTE Band 4 BW(MHz)	Emission Designator (99%OBW)QPSK	Emission Designator (99%OBW)16QAM
1.4	1M09G7D	1M11W7D
3	2M72G7D	2M70W7D
5	4M51G7D	4M51W7D
10	9M00G7D	9M02W7D
15	13M5G7D	13M5W7D
20	18M0G7D	17M9W7D
LTE Band 5 BW(MHz)	Emission Designator (99%OBW)QPSK	Emission Designator (99%OBW)16QAM
1.4	1M10G7D	1M09W7D
3	2M71G7D	2M70W7D
5	4M51G7D	4M51W7D
10	9M00G7D	8M99W7D
LTE Band 12 BW(MHz)	Emission Designator (99%OBW)QPSK	Emission Designator (99%OBW)16QAM
1.4	1M09G7D	1M11W7D
3	2M73G7D	2M70W7D
5	4M52G7D	4M50W7D
10	8M98G7D	8M98W7D
LTE Band 66 BW(MHz)	Emission Designator (99%OBW)QPSK	Emission Designator (99%OBW)16QAM
1.4	1M10G7D	1M10W7D
3	2M71G7D	2M71W7D
5	4M53G7D	4M49W7D
10	9M00G7D	8M98W7D
15	13M4G7D	13M5W7D
20	18M0G7D	18M0W7D



2.1.4 TEST CONFIGURATION OF EQUIPMENT UNDER TEST

Antenna port conducted and radiated test items listed below are performed according to KDB 971168 D01 v03r01 and ANSI C63.26 2015 Power Meas. License Digital Systems with maximum output power. Radiated measurements are performed by rotating the EUT in three different orthogonal test planes to find the maximum emission.

Remark:

1. The mark 'v' means that this configuration is chosen for testing
2. The mark '-' means that this bandwidth is not supported.
3. The device is investigated from 30MHz to 10 times of fundamental signal for radiated.

ITEMS	Band	Bandwidth (MHz)						Modulation		RB #			Test Channel		
		1.4	3	5	10	15	20	QPSK	16QAM	1	Half	Full	L	M	H
Max. Output Power	2	v	v	v	v	v	v	v	v	v	v	v	v	v	v
	4	v	v	v	v	v	v	v	v	v	v	v	v	v	v
	5	v	v	v	v			v	v	v	v	v	v	v	v
	12	v	v	v	v			v	v	v	v	v	v	v	v
	66	v	v	v	v	v	v	v	v	v	v	v	v	v	v
Peak&Avera Ratio	2	v	v	v	v	v	v	v	v	v		v		v	
	4	v	v	v	v	v	v	v	v	v		v		v	
	5	v	v	v	v			v	v	v		v		v	
	12	v	v	v	v			v	v	v		v		v	
	66	v	v	v	v	v	v	v	v	v		v		v	
26dB&99% Bandwidth	2	v	v	v	v	v	v	v	v			v		v	
	4	v	v	v	v	v	v	v	v			v		v	
	5	v	v	v	v			v	v			v		v	
	12	v	v	v	v			v	v			v		v	
	66	v	v	v	v	v	v	v	v			v		v	
Conducted Band Edge	2	v	v	v	v	v	v	v	v			v	v		v
	4	v	v	v	v	v	v	v	v			v	v		v
	5	v	v	v	v			v	v			v	v		v
	12	v	v	v	v			v	v			v	v		v
	66	v	v	v	v	v	v	v	v			v	v		v
Conducted Spurious Emission	2	v	v	v	v	v	v	v	v	v		v	v		v
	4	v	v	v	v	v	v	v	v	v		v	v		v
	5	v	v	v	v			v	v	v		v	v		v
	12	v	v	v	v			v	v	v		v	v		v
	66	v	v	v	v	v	v	v	v	v		v	v		v
Frequency Stability	2				v			v				v		v	
	4				v			v				v		v	
	5				v			v				v		v	
	12				v			v				v		v	
	66				v			v				v		v	



E.R.P.& E.I.R.P.	2	v	v	v	v	v	v	v	v	v	v	v	v	v	v
	4	v	v	v	v	v	v	v	v	v	v	v	v	v	v
	5	v	v	v	v			v	v	v	v	v	v	v	v
	12	v	v	v	v			v	v	v	v	v	v	v	v
	66	v	v	v	v	v	v	v	v	v	v	v	v	v	v
Radiated Spurious Emission	2	v	v	v	v	v	v	v		v			v	v	v
	4	v	v	v	v	v	v	v		v			v	v	v
	5	v	v	v	v			v		v			v	v	v
	12	v	v	v	v			v		v			v	v	v
	66	v	v	v	v	v	v	v		v			v	v	v





2.1.5 RELATED SUBMITTAL(S) / GRANT (S)

This submittal(s) (test report) is intended for filing to comply with the 47 CFR Part 2, 22, 24(E), 27.

2.1.6 SPECIAL ACCESSORIES

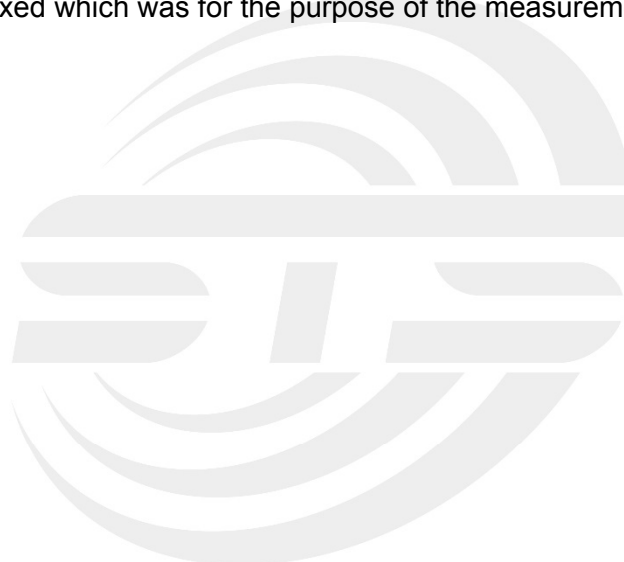
The battery and the charger, earphone supplied by the applicant were used as accessories and being tested with eut intended for fcc grant together.

2.1.7 EUT CONFIGURATION

The EUT configuration for testing is installed on RF field strength measurement to meet the Commission's requirement and operating in a manner which intends to maximize its emission characteristics in a continuous normal application.

2.1.8 EUT EXERCISE

The Transmitter was operated in the maximum output power mode through Communication Tester. The TX frequency was fixed which was for the purpose of the measurements.





2.1.9 CONFIGURATION OF EUT SYSTEM

The EUT configuration for testing is installed on RF field strength measurement to meet the Commission's requirement and operating in a manner which intends to maximize its emission characteristics in a continuous normal application.

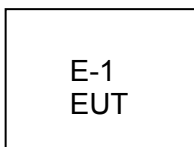


Table 2-1 Equipment Used in EUT System

Item	Equipment	Model No.	Length	Note
N/A	N/A	N/A	N/A	N/A

Note:

- (1) For detachable type I/O cable should be specified the length in cm in 『Length』 column.
- (2) "YES" is means "with core"; "NO" is means "without core".



2.1.10 MEASUREMENT INSTRUMENTS

The radiated emission testing was performed according to the procedures of ANSI C63.26 2015 and FCC CFR 47 rules of 2.1046, 2.1047, 2.1049, 2.1051, 2.1053, 2.1055, 2.1057.

RF Radiation Test Equipment					
Kind of Equipment	Manufacturer	Type No.	Serial No.	Last Calibration	Calibrated Until
Temperature & Humidity	SW-108	SuWei	N/A	2022.03.02	2023.03.01
Wireless Communications Test Set	R&S	CMW 500	117239	2022.03.01	2023.02.28
Pre-Amplifier(0.1M-3GHz)	EM	EM330	060665	2022.07.04	2023.07.03
Pre-Amplifier (1G-18GHz)	SKET	LNPA-01018G-45	SK2018080901	2022.09.29	2023.09.28
Positioning Controller	MF	MF-7802	MF-780208587	N/A	N/A
Signal Analyzer	R&S	FSV 40-N	101823	2022.09.29	2023.09.28
Switch Control Box	N/A	N/A	N/A	N/A	N/A
Filter Box	BALUN Technology	SU319E	BL-SZ1530051	N/A	N/A
Video Controller	SKET	FCS C-3	N/A	N/A	N/A
Bilog Antenna	TESEQ	CBL6111D	34678	2022.09.30	2024.09.29
Horn Antenna	SCHWARZBECK	BBHA 9120D	02014	2021.10.11	2023.10.10
Antenna Mast	MF	MFA-440H	N/A	N/A	N/A
Turn Table	MF	N/A	N/A	N/A	N/A
AC Power Source	APC	KDF-11010G	F214050035	N/A	N/A
DC Power Supply	Zhaoxin	RXN 605D	20R605D11010081	N/A	N/A
Test SW	EMC Test Software	15.2.0.339			
	EZ-EMC	Ver.STSLAB-03A1 RE			
RF Connected Test Equipment					
Kind of Equipment	Manufacturer	Type No.	Serial No.	Last Calibration	Calibrated Until
Temperature & Humidity	SW-108	SuWei	N/A	2022.03.02	2023.03.01
Wireless Communications Test Set	R&S	CMW 500	131428	2022.03.01	2023.02.28
Signal Analyzer	Agilent	N9020A	MY52440124	2022.03.01	2023.02.28
RF Automatic Test System	Maiwei	MW200-SFCB	N/A	N/A	N/A
Temperature & Humidity Test Chamber	Safety test	AG80L	171200018	2022.03.01	2023.02.28
Programmable Power Supply	Agilent	E3642A	MY40002025	2022.09.29	2023.09.28
Test SW	MTS 8200	2.0.0.0			



2.1.11 MEASUREMENT RESULTS EXPLANATION EXAMPLE

For all conducted test items:

The offset level is set in the spectrum analyzer to compensate the RF cable loss and attenuator factor between EUT conducted output port and spectrum analyzer. With the offset compensation, the spectrum analyzer reading level is exactly the EUT RF output level.

The spectrum analyzer offset is derived from RF cable loss and attenuator factor.

Offset = RF Cable Loss + Attenuator Factor.



3. CONDUCTED OUTPUT POWER&RADIATED POWER AND EFFECTIVE ISOTROPIC RADIATED POWER

3.1 DESCRIPTION OF THE CONDUCTED OUTPUT POWER MEASUREMENT

3.1.1 MEASUREMENT METHOD

CONDUCTED OUTPUT POWER:

A system simulator was used to establish communication with the eut. Its parameters were set to force the eut transmitting at maximum output power. The measured power in the radio frequency on the transmitter output terminals shall be reported.

Configuration follows KDB 971168 D01 v03r01.

C63.26 2015 Section 5.2.5.5.

In many cases, RF output power limits are specified in terms of the ERP or the EIRP. Typically, ERP is specified when the operating frequency is less than or equal to 1 GHz and EIRP is specified when the operating frequency is greater than 1 GHz. Both are defined as the product of the power supplied to the antenna and its gain (relative to a dipole antenna in the case of ERP, and relative to an isotropic antenna in the case of EIRP); however, when working in decibels (i.e., logarithmic scale), the ERP and EIRP represent the sum of the transmit antenna gain (in dBd or dBi, respectively) and the conducted RF output power (expressed in dB relative to watts or milliwatts). The relevant equation for determining the maximum ERP or EIRP from the measured RF output power is given in Equation (1) as follows:

(1) ERP or EIRP = P_{Meas} + GT

ERP= EIRP-2.15

where

ERP or EIRP effective radiated power or equivalent isotropically radiated power, respectively (expressed in the same units as P_{Meas}, e.g., dBm or dBW)

P_{Meas} measured transmitter output power or PSD, in dBm or dBW

GT gain of the transmitting antenna, in dBd (ERP) or dBi (EIRP)

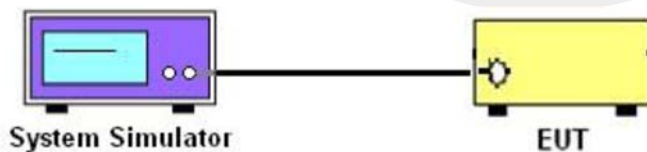
For devices utilizing multiple antennas, see 6.4 for guidance with respect to determining the effective array transmit antenna gain term to be used in the above equation.

The following equations demonstrate the mathematical relationship between ERP and EIRP:

a) ERP = EIRP – 2.15, where ERP and EIRP are expressed in consistent units.

b) EIRP = ERP + 2.15, where ERP and EIRP are expressed in consistent units.

3.1.2 TEST SETUP



3.1.3 TEST PROCEDURES

1. The transmitter output port was connected to system simulator.
2. Set EUT at maximum power through the system simulator.
3. Select lowest/middle/highest channels for each band and different modulation.
4. Measure and record the power level from the system simulator.



3.1.4 TEST RESULTS

Radiated Power (EIRP) for LTE Band 2 /1.4M											
BW (MHz)	UL Channel	RB Size	RB offset	Modulation	Conduction AVG Power(dBm)	Ant Gain (dBi)	EIRP (dBm)	EIRP Limit(W)	EIRP Limit(dBm)	Verdict	
1.4	Lowest	1	0	QPSK	22.34	0.87	23.21	2.00	33.01	PASS	
		1	2		22.14	0.87	23.01	2.00	33.01	PASS	
		1	5		21.99	0.87	22.86	2.00	33.01	PASS	
		3	0		21.82	0.87	22.69	2.00	33.01	PASS	
		3	1		21.66	0.87	22.53	2.00	33.01	PASS	
		3	2		21.50	0.87	22.37	2.00	33.01	PASS	
		6	0	21.34	0.87	22.21	2.00	33.01	PASS		
		1	0	16QAM	22.28	0.87	23.15	2.00	33.01	PASS	
		1	2		22.09	0.87	22.96	2.00	33.01	PASS	
		1	5		21.98	0.87	22.85	2.00	33.01	PASS	
		3	0		21.63	0.87	22.50	2.00	33.01	PASS	
		3	1		21.60	0.87	22.47	2.00	33.01	PASS	
		3	2		21.40	0.87	22.27	2.00	33.01	PASS	
		6	0	21.17	0.87	22.04	2.00	33.01	PASS		
		Middle	QPSK	1	0	22.37	0.87	23.24	2.00	33.01	PASS
				1	2	22.19	0.87	23.06	2.00	33.01	PASS
				1	5	22.19	0.87	23.06	2.00	33.01	PASS
				3	0	22.09	0.87	22.96	2.00	33.01	PASS
	3			1	21.94	0.87	22.81	2.00	33.01	PASS	
	3			2	21.89	0.87	22.76	2.00	33.01	PASS	
	6		0	21.78	0.87	22.65	2.00	33.01	PASS		
	16QAM		1	0	22.22	0.87	23.09	2.00	33.01	PASS	
			1	2	22.16	0.87	23.03	2.00	33.01	PASS	
			1	5	22.08	0.87	22.95	2.00	33.01	PASS	
			3	0	21.97	0.87	22.84	2.00	33.01	PASS	
			3	1	21.83	0.87	22.70	2.00	33.01	PASS	
			3	2	21.83	0.87	22.70	2.00	33.01	PASS	
	Highest		QPSK	6	0	21.63	0.87	22.50	2.00	33.01	PASS
				1	0	22.40	0.87	23.27	2.00	33.01	PASS
				1	2	22.25	0.87	23.12	2.00	33.01	PASS
				1	5	22.22	0.87	23.09	2.00	33.01	PASS
				3	0	22.17	0.87	23.04	2.00	33.01	PASS
		3		1	22.15	0.87	23.02	2.00	33.01	PASS	
		3	2	22.02	0.87	22.89	2.00	33.01	PASS		
		6	0	21.96	0.87	22.83	2.00	33.01	PASS		
		16QAM	1	0	22.22	0.87	23.09	2.00	33.01	PASS	
1			2	22.21	0.87	23.08	2.00	33.01	PASS		
1			5	22.19	0.87	23.06	2.00	33.01	PASS		
3			0	22.02	0.87	22.89	2.00	33.01	PASS		
3	1		21.97	0.87	22.84	2.00	33.01	PASS			
3	2		22.00	0.87	22.87	2.00	33.01	PASS			
6	0	21.84	0.87	22.71	2.00	33.01	PASS				



Radiated Power (EIRP) for LTE Band 2 /3M										
BW (MHz)	UL Channel	RB Size	RB offset	Modulation	Conduction AVG Power(dBm)	Ant Gain (dBi)	EIRP (dBm)	EIRP Limit(W)	EIRP Limit(dBm)	Verdict
3	Lowest	1	0	QPSK	22.38	0.87	23.25	2.00	33.01	PASS
		1	7		22.25	0.87	23.12	2.00	33.01	PASS
		1	14		22.08	0.87	22.95	2.00	33.01	PASS
		8	0		21.94	0.87	22.81	2.00	33.01	PASS
		8	4		21.78	0.87	22.65	2.00	33.01	PASS
		8	7		21.65	0.87	22.52	2.00	33.01	PASS
		15	0	21.47	0.87	22.34	2.00	33.01	PASS	
		1	0	22.27	0.87	23.14	2.00	33.01	PASS	
		1	7	22.16	0.87	23.03	2.00	33.01	PASS	
		1	14	22.02	0.87	22.89	2.00	33.01	PASS	
		8	0	21.87	0.87	22.74	2.00	33.01	PASS	
		8	4	21.61	0.87	22.48	2.00	33.01	PASS	
		8	7	21.49	0.87	22.36	2.00	33.01	PASS	
		15	0	21.47	0.87	22.34	2.00	33.01	PASS	
		1	0	22.41	0.87	23.28	2.00	33.01	PASS	
	1	7	22.34	0.87	23.21	2.00	33.01	PASS		
	1	14	22.34	0.87	23.21	2.00	33.01	PASS		
	8	0	22.16	0.87	23.03	2.00	33.01	PASS		
	8	4	22.16	0.87	23.03	2.00	33.01	PASS		
	8	7	22.13	0.87	23.00	2.00	33.01	PASS		
	15	0	22.07	0.87	22.94	2.00	33.01	PASS		
	1	0	22.39	0.87	23.26	2.00	33.01	PASS		
	1	7	22.27	0.87	23.14	2.00	33.01	PASS		
	1	14	22.18	0.87	23.05	2.00	33.01	PASS		
	8	0	22.02	0.87	22.89	2.00	33.01	PASS		
	8	4	22.00	0.87	22.87	2.00	33.01	PASS		
	8	7	21.93	0.87	22.80	2.00	33.01	PASS		
	15	0	22.06	0.87	22.93	2.00	33.01	PASS		
	1	0	22.47	0.87	23.34	2.00	33.01	PASS		
	1	7	22.36	0.87	23.23	2.00	33.01	PASS		
	1	14	22.29	0.87	23.16	2.00	33.01	PASS		
	8	0	22.23	0.87	23.10	2.00	33.01	PASS		
	8	4	22.16	0.87	23.03	2.00	33.01	PASS		
	8	7	21.98	0.87	22.85	2.00	33.01	PASS		
	15	0	21.82	0.87	22.69	2.00	33.01	PASS		
	1	0	22.33	0.87	23.20	2.00	33.01	PASS		
	1	7	22.23	0.87	23.10	2.00	33.01	PASS		
	1	14	22.26	0.87	23.13	2.00	33.01	PASS		
	8	0	22.04	0.87	22.91	2.00	33.01	PASS		
	8	4	22.12	0.87	22.99	2.00	33.01	PASS		
	8	7	21.88	0.87	22.75	2.00	33.01	PASS		
	15	0	21.76	0.87	22.63	2.00	33.01	PASS		



Radiated Power (EIRP) for LTE Band 2 /5M											
BW (MHz)	UL Channel	RB Size	RB offset	Modulation	Conduction AVG Power(dBm)	Ant Gain (dBi)	EIRP (dBm)	EIRP Limit(W)	EIRP Limit(dBm)	Verdict	
5	Lowest	1	0	QPSK	22.40	0.87	23.27	2.00	33.01	PASS	
		1	12		22.22	0.87	23.09	2.00	33.01	PASS	
		1	24		22.18	0.87	23.05	2.00	33.01	PASS	
		12	0		22.04	0.87	22.91	2.00	33.01	PASS	
		12	6		21.87	0.87	22.74	2.00	33.01	PASS	
		12	11		21.83	0.87	22.70	2.00	33.01	PASS	
		25	0	21.70	0.87	22.57	2.00	33.01	PASS		
		1	0	16QAM	22.22	0.87	23.09	2.00	33.01	PASS	
		1	12		22.10	0.87	22.97	2.00	33.01	PASS	
		1	24		22.15	0.87	23.02	2.00	33.01	PASS	
		12	0		21.97	0.87	22.84	2.00	33.01	PASS	
		12	6		21.72	0.87	22.59	2.00	33.01	PASS	
		12	11		21.73	0.87	22.60	2.00	33.01	PASS	
		25	0	21.59	0.87	22.46	2.00	33.01	PASS		
		Middle	QPSK	1	0	22.51	0.87	23.38	2.00	33.01	PASS
	1			12	22.39	0.87	23.26	2.00	33.01	PASS	
	1			24	22.32	0.87	23.19	2.00	33.01	PASS	
	12			0	22.19	0.87	23.06	2.00	33.01	PASS	
	12			6	22.08	0.87	22.95	2.00	33.01	PASS	
	12			11	21.92	0.87	22.79	2.00	33.01	PASS	
	25		0	21.73	0.87	22.60	2.00	33.01	PASS		
	16QAM		1	0	22.32	0.87	23.19	2.00	33.01	PASS	
			1	12	22.38	0.87	23.25	2.00	33.01	PASS	
			1	24	22.20	0.87	23.07	2.00	33.01	PASS	
			12	0	22.04	0.87	22.91	2.00	33.01	PASS	
			12	6	21.99	0.87	22.86	2.00	33.01	PASS	
			12	11	21.84	0.87	22.71	2.00	33.01	PASS	
			25	0	21.70	0.87	22.57	2.00	33.01	PASS	
			Highest	QPSK	1	0	22.58	0.87	23.45	2.00	33.01
		1			12	22.55	0.87	23.42	2.00	33.01	PASS
1	24	22.43			0.87	23.30	2.00	33.01	PASS		
12	0	22.36			0.87	23.23	2.00	33.01	PASS		
12	6	22.21			0.87	23.08	2.00	33.01	PASS		
12	11	22.09			0.87	22.96	2.00	33.01	PASS		
25	0	22.06		0.87	22.93	2.00	33.01	PASS			
16QAM	1	0		22.55	0.87	23.42	2.00	33.01	PASS		
	1	12		22.41	0.87	23.28	2.00	33.01	PASS		
	1	24		22.29	0.87	23.16	2.00	33.01	PASS		
	12	0		22.32	0.87	23.19	2.00	33.01	PASS		
	12	6		22.11	0.87	22.98	2.00	33.01	PASS		
	12	11		22.04	0.87	22.91	2.00	33.01	PASS		
	25	0		22.00	0.87	22.87	2.00	33.01	PASS		



Radiated Power (EIRP) for LTE Band 2 /10M										
BW (MHz)	UL Channel	RB Size	RB offset	Modulation	Conduction AVG Power(dBm)	Ant Gain (dBi)	EIRP (dBm)	EIRP Limit(W)	EIRP Limit(dBm)	Verdict
10	Lowest	1	0	QPSK	22.49	0.87	23.36	2.00	33.01	PASS
		1	24		22.31	0.87	23.18	2.00	33.01	PASS
		1	49		22.13	0.87	23.00	2.00	33.01	PASS
		25	0		22.01	0.87	22.88	2.00	33.01	PASS
		25	12		21.87	0.87	22.74	2.00	33.01	PASS
		25	24		21.72	0.87	22.59	2.00	33.01	PASS
		50	0	21.59	0.87	22.46	2.00	33.01	PASS	
		1	0	16QAM	22.37	0.87	23.24	2.00	33.01	PASS
		1	24		22.26	0.87	23.13	2.00	33.01	PASS
		1	49		21.97	0.87	22.84	2.00	33.01	PASS
		25	0		21.95	0.87	22.82	2.00	33.01	PASS
		25	12		21.77	0.87	22.64	2.00	33.01	PASS
		25	24		21.69	0.87	22.56	2.00	33.01	PASS
		50	0	21.42	0.87	22.29	2.00	33.01	PASS	
		Middle	QPSK	1	0	22.55	0.87	23.42	2.00	33.01
	1			24	22.40	0.87	23.27	2.00	33.01	PASS
	1			49	22.24	0.87	23.11	2.00	33.01	PASS
	25			0	22.05	0.87	22.92	2.00	33.01	PASS
	25			12	21.89	0.87	22.76	2.00	33.01	PASS
	25			24	21.74	0.87	22.61	2.00	33.01	PASS
	50		0	21.55	0.87	22.42	2.00	33.01	PASS	
	16QAM		1	0	22.46	0.87	23.33	2.00	33.01	PASS
			1	24	22.37	0.87	23.24	2.00	33.01	PASS
			1	49	22.12	0.87	22.99	2.00	33.01	PASS
			25	0	22.02	0.87	22.89	2.00	33.01	PASS
			25	12	21.78	0.87	22.65	2.00	33.01	PASS
			25	24	21.74	0.87	22.61	2.00	33.01	PASS
	50		0	21.40	0.87	22.27	2.00	33.01	PASS	
	Highest		QPSK	1	0	22.65	0.87	23.52	2.00	33.01
		1		24	22.50	0.87	23.37	2.00	33.01	PASS
1		49		22.37	0.87	23.24	2.00	33.01	PASS	
25		0		22.21	0.87	23.08	2.00	33.01	PASS	
25		12		22.18	0.87	23.05	2.00	33.01	PASS	
25		24		22.07	0.87	22.94	2.00	33.01	PASS	
50		0	22.04	0.87	22.91	2.00	33.01	PASS		
16QAM		1	0	22.60	0.87	23.47	2.00	33.01	PASS	
		1	24	22.36	0.87	23.23	2.00	33.01	PASS	
		1	49	22.24	0.87	23.11	2.00	33.01	PASS	
		25	0	22.19	0.87	23.06	2.00	33.01	PASS	
		25	12	22.02	0.87	22.89	2.00	33.01	PASS	
		25	24	21.88	0.87	22.75	2.00	33.01	PASS	
50		0	21.88	0.87	22.75	2.00	33.01	PASS		



Radiated Power (EIRP) for LTE Band 2 /15M										
BW (MHz)	UL Channel	RB Size	RB offset	Modulation	Conduction AVG Power(dBm)	Ant Gain (dBi)	EIRP (dBm)	EIRP Limit(W)	EIRP Limit(dBm)	Verdict
15	Lowest	1	0	QPSK	22.54	0.87	23.41	2.00	33.01	PASS
		1	37		22.43	0.87	23.30	2.00	33.01	PASS
		1	74		22.28	0.87	23.15	2.00	33.01	PASS
		36	0		22.21	0.87	23.08	2.00	33.01	PASS
		36	18		22.18	0.87	23.05	2.00	33.01	PASS
		36	39		22.04	0.87	22.91	2.00	33.01	PASS
		75	0	21.86	0.87	22.73	2.00	33.01	PASS	
		1	0	16QAM	22.51	0.87	23.38	2.00	33.01	PASS
		1	37		22.29	0.87	23.16	2.00	33.01	PASS
		1	74		22.11	0.87	22.98	2.00	33.01	PASS
		36	0		22.20	0.87	23.07	2.00	33.01	PASS
		36	18		22.07	0.87	22.94	2.00	33.01	PASS
		36	39		21.89	0.87	22.76	2.00	33.01	PASS
		75	0	21.76	0.87	22.63	2.00	33.01	PASS	
	Middle	QPSK	1	0	22.66	0.87	23.53	2.00	33.01	PASS
			1	37	22.58	0.87	23.45	2.00	33.01	PASS
			1	74	22.55	0.87	23.42	2.00	33.01	PASS
			36	0	22.46	0.87	23.33	2.00	33.01	PASS
			36	18	22.37	0.87	23.24	2.00	33.01	PASS
			36	39	22.26	0.87	23.13	2.00	33.01	PASS
		75	0	22.08	0.87	22.95	2.00	33.01	PASS	
		16QAM	1	0	22.58	0.87	23.45	2.00	33.01	PASS
			1	37	22.57	0.87	23.44	2.00	33.01	PASS
			1	74	22.39	0.87	23.26	2.00	33.01	PASS
			36	0	22.43	0.87	23.30	2.00	33.01	PASS
			36	18	22.25	0.87	23.12	2.00	33.01	PASS
			36	39	22.20	0.87	23.07	2.00	33.01	PASS
		75	0	22.00	0.87	22.87	2.00	33.01	PASS	
	Highest	QPSK	1	0	22.71	0.87	23.58	2.00	33.01	PASS
			1	37	22.53	0.87	23.40	2.00	33.01	PASS
			1	74	22.38	0.87	23.25	2.00	33.01	PASS
			36	0	22.29	0.87	23.16	2.00	33.01	PASS
			36	18	22.23	0.87	23.10	2.00	33.01	PASS
			36	39	22.15	0.87	23.02	2.00	33.01	PASS
		75	0	21.98	0.87	22.85	2.00	33.01	PASS	
		16QAM	1	0	22.61	0.87	23.48	2.00	33.01	PASS
			1	37	22.46	0.87	23.33	2.00	33.01	PASS
			1	74	22.26	0.87	23.13	2.00	33.01	PASS
			36	0	22.17	0.87	23.04	2.00	33.01	PASS
			36	18	22.22	0.87	23.09	2.00	33.01	PASS
			36	39	22.00	0.87	22.87	2.00	33.01	PASS
		75	0	21.92	0.87	22.79	2.00	33.01	PASS	



Radiated Power (EIRP) for LTE Band 2 /20M										
BW (MHz)	UL Channel	RB Size	RB offset	Modulation	Conduction AVG Power(dBm)	Ant Gain (dBi)	EIRP (dBm)	EIRP Limit(W)	EIRP Limit(dBm)	Verdict
20	Lowest	1	0	QPSK	22.60	0.87	23.47	2.00	33.01	PASS
		1	49		22.57	0.87	23.44	2.00	33.01	PASS
		1	99		22.38	0.87	23.25	2.00	33.01	PASS
		50	0		22.33	0.87	23.20	2.00	33.01	PASS
		50	24		22.17	0.87	23.04	2.00	33.01	PASS
		50	49		22.14	0.87	23.01	2.00	33.01	PASS
		100	0		22.11	0.87	22.98	2.00	33.01	PASS
		1	0	16QAM	22.47	0.87	23.34	2.00	33.01	PASS
		1	49		22.53	0.87	23.40	2.00	33.01	PASS
		1	99		22.31	0.87	23.18	2.00	33.01	PASS
		50	0		22.14	0.87	23.01	2.00	33.01	PASS
		50	24		22.10	0.87	22.97	2.00	33.01	PASS
		50	49		22.09	0.87	22.96	2.00	33.01	PASS
		100	0		21.98	0.87	22.85	2.00	33.01	PASS
	Middle	QPSK	1	0	22.69	0.87	23.56	2.00	33.01	PASS
			1	49	22.66	0.87	23.53	2.00	33.01	PASS
			1	99	22.48	0.87	23.35	2.00	33.01	PASS
			50	0	22.44	0.87	23.31	2.00	33.01	PASS
			50	24	22.38	0.87	23.25	2.00	33.01	PASS
			50	49	22.18	0.87	23.05	2.00	33.01	PASS
			100	0	22.01	0.87	22.88	2.00	33.01	PASS
		16QAM	1	0	22.64	0.87	23.51	2.00	33.01	PASS
			1	49	22.53	0.87	23.40	2.00	33.01	PASS
			1	99	22.39	0.87	23.26	2.00	33.01	PASS
			50	0	22.39	0.87	23.26	2.00	33.01	PASS
			50	24	22.37	0.87	23.24	2.00	33.01	PASS
			50	49	22.09	0.87	22.96	2.00	33.01	PASS
			100	0	21.90	0.87	22.77	2.00	33.01	PASS
	Highest	QPSK	1	0	22.75	0.87	23.62	2.00	33.01	PASS
			1	49	22.62	0.87	23.49	2.00	33.01	PASS
			1	99	22.57	0.87	23.44	2.00	33.01	PASS
			50	0	22.42	0.87	23.29	2.00	33.01	PASS
			50	24	22.29	0.87	23.16	2.00	33.01	PASS
			50	49	22.22	0.87	23.09	2.00	33.01	PASS
			100	0	22.10	0.87	22.97	2.00	33.01	PASS
		16QAM	1	0	22.64	0.87	23.51	2.00	33.01	PASS
			1	49	22.54	0.87	23.41	2.00	33.01	PASS
			1	99	22.39	0.87	23.26	2.00	33.01	PASS
			50	0	22.38	0.87	23.25	2.00	33.01	PASS
			50	24	22.16	0.87	23.03	2.00	33.01	PASS
			50	49	22.16	0.87	23.03	2.00	33.01	PASS
			100	0	22.03	0.87	22.90	2.00	33.01	PASS



Radiated Power (EIRP) for LTE Band 4 /1.4M										
BW (MHz)	UL Channel	RB Size	RB offset	Modulation	Conduction AVG Power(dBm)	Ant Gain (dBi)	EIRP (dBm)	EIRP Limit(W)	EIRP Limit(dBm)	Verdict
1.4	Lowest	1	0	QPSK	22.31	1.7	24.01	1.00	30.00	PASS
		1	2		22.30	1.7	24.00	1.00	30.00	PASS
		1	5		22.15	1.7	23.85	1.00	30.00	PASS
		3	0		21.96	1.7	23.66	1.00	30.00	PASS
		3	1		21.95	1.7	23.65	1.00	30.00	PASS
		3	2		21.87	1.7	23.57	1.00	30.00	PASS
		6	0		21.68	1.7	23.38	1.00	30.00	PASS
		1	0	16QAM	22.24	1.7	23.94	1.00	30.00	PASS
		1	2		22.15	1.7	23.85	1.00	30.00	PASS
		1	5		22.05	1.7	23.75	1.00	30.00	PASS
		3	0		21.76	1.7	23.46	1.00	30.00	PASS
		3	1		21.78	1.7	23.48	1.00	30.00	PASS
		3	2		21.74	1.7	23.44	1.00	30.00	PASS
		6	0		21.62	1.7	23.32	1.00	30.00	PASS
	Middle	1	0	QPSK	22.35	1.7	24.05	1.00	30.00	PASS
		1	2		22.24	1.7	23.94	1.00	30.00	PASS
		1	5		22.12	1.7	23.82	1.00	30.00	PASS
		3	0		21.96	1.7	23.66	1.00	30.00	PASS
		3	1		21.77	1.7	23.47	1.00	30.00	PASS
		3	2		21.76	1.7	23.46	1.00	30.00	PASS
		6	0		21.61	1.7	23.31	1.00	30.00	PASS
		1	0	16QAM	22.25	1.7	23.95	1.00	30.00	PASS
		1	2		22.16	1.7	23.86	1.00	30.00	PASS
		1	5		21.97	1.7	23.67	1.00	30.00	PASS
		3	0		21.77	1.7	23.47	1.00	30.00	PASS
		3	1		21.66	1.7	23.36	1.00	30.00	PASS
		3	2		21.58	1.7	23.28	1.00	30.00	PASS
		6	0		21.50	1.7	23.20	1.00	30.00	PASS
	Highest	1	0	QPSK	22.40	1.7	24.10	1.00	30.00	PASS
		1	2		22.38	1.7	24.08	1.00	30.00	PASS
		1	5		22.30	1.7	24.00	1.00	30.00	PASS
		3	0		22.13	1.7	23.83	1.00	30.00	PASS
		3	1		22.06	1.7	23.76	1.00	30.00	PASS
		3	2		21.90	1.7	23.60	1.00	30.00	PASS
		6	0		21.75	1.7	23.45	1.00	30.00	PASS
		1	0	16QAM	22.34	1.7	24.04	1.00	30.00	PASS
1		2	22.32		1.7	24.02	1.00	30.00	PASS	
1		5	22.27		1.7	23.97	1.00	30.00	PASS	
3		0	21.94		1.7	23.64	1.00	30.00	PASS	
3		1	21.99		1.7	23.69	1.00	30.00	PASS	
3		2	21.77		1.7	23.47	1.00	30.00	PASS	
6		0	21.69		1.7	23.39	1.00	30.00	PASS	



Radiated Power (EIRP) for LTE Band 4 /3M											
BW (MHz)	UL Channel	RB Size	RB offset	Modulation	Conduction AVG Power(dBm)	Ant Gain (dBi)	EIRP (dBm)	EIRP Limit(W)	EIRP Limit(dBm)	Verdict	
3	Lowest	1	0	QPSK	22.37	1.7	24.07	1.00	30.00	PASS	
		1	7		22.26	1.7	23.96	1.00	30.00	PASS	
		1	14		22.26	1.7	23.96	1.00	30.00	PASS	
		8	0		22.13	1.7	23.83	1.00	30.00	PASS	
		8	4		22.03	1.7	23.73	1.00	30.00	PASS	
		8	7		21.86	1.7	23.56	1.00	30.00	PASS	
		15	0	21.75	1.7	23.45	1.00	30.00	PASS		
		1	0	16QAM	22.30	1.7	24.00	1.00	30.00	PASS	
		1	7		22.09	1.7	23.79	1.00	30.00	PASS	
		1	14		22.07	1.7	23.77	1.00	30.00	PASS	
		8	0		21.94	1.7	23.64	1.00	30.00	PASS	
		8	4		22.01	1.7	23.71	1.00	30.00	PASS	
		8	7		21.66	1.7	23.36	1.00	30.00	PASS	
		15	0	21.59	1.7	23.29	1.00	30.00	PASS		
		Middle	QPSK	1	0	22.41	1.7	24.11	1.00	30.00	PASS
	1			7	22.31	1.7	24.01	1.00	30.00	PASS	
	1			14	22.23	1.7	23.93	1.00	30.00	PASS	
	8			0	22.22	1.7	23.92	1.00	30.00	PASS	
	8			4	22.10	1.7	23.80	1.00	30.00	PASS	
	8			7	22.06	1.7	23.76	1.00	30.00	PASS	
	15		0	21.96	1.7	23.66	1.00	30.00	PASS		
	16QAM		1	0	22.26	1.7	23.96	1.00	30.00	PASS	
			1	7	22.12	1.7	23.82	1.00	30.00	PASS	
			1	14	22.22	1.7	23.92	1.00	30.00	PASS	
			8	0	22.12	1.7	23.82	1.00	30.00	PASS	
			8	4	22.06	1.7	23.76	1.00	30.00	PASS	
			8	7	22.00	1.7	23.70	1.00	30.00	PASS	
			15	0	21.79	1.7	23.49	1.00	30.00	PASS	
			Highest	QPSK	1	0	22.48	1.7	24.18	1.00	30.00
		1			7	22.47	1.7	24.17	1.00	30.00	PASS
	1	14			22.30	1.7	24.00	1.00	30.00	PASS	
	8	0			22.30	1.7	24.00	1.00	30.00	PASS	
	8	4			22.24	1.7	23.94	1.00	30.00	PASS	
	8	7			22.07	1.7	23.77	1.00	30.00	PASS	
	15	0		21.97	1.7	23.67	1.00	30.00	PASS		
	16QAM	1		0	22.30	1.7	24.00	1.00	30.00	PASS	
1		7		22.42	1.7	24.12	1.00	30.00	PASS		
1		14		22.26	1.7	23.96	1.00	30.00	PASS		
8		0		22.28	1.7	23.98	1.00	30.00	PASS		
8		4		22.21	1.7	23.91	1.00	30.00	PASS		
8		7		22.03	1.7	23.73	1.00	30.00	PASS		
15		0		21.94	1.7	23.64	1.00	30.00	PASS		



Radiated Power (EIRP) for LTE Band 4 /5M											
BW (MHz)	UL Channel	RB Size	RB offset	Modulation	Conduction AVG Power(dBm)	Ant Gain (dBi)	EIRP (dBm)	EIRP Limit(W)	EIRP Limit(dBm)	Verdict	
5	Lowest	1	0	QPSK	22.43	1.7	24.13	1.00	30.00	PASS	
		1	12		22.34	1.7	24.04	1.00	30.00	PASS	
		1	24		22.25	1.7	23.95	1.00	30.00	PASS	
		12	0		22.21	1.7	23.91	1.00	30.00	PASS	
		12	6		22.02	1.7	23.72	1.00	30.00	PASS	
		12	11		21.85	1.7	23.55	1.00	30.00	PASS	
		25	0	21.76	1.7	23.46	1.00	30.00	PASS		
		1	0	16QAM	22.35	1.7	24.05	1.00	30.00	PASS	
		1	12		22.29	1.7	23.99	1.00	30.00	PASS	
		1	24		22.24	1.7	23.94	1.00	30.00	PASS	
		12	0		22.08	1.7	23.78	1.00	30.00	PASS	
		12	6		21.92	1.7	23.62	1.00	30.00	PASS	
		12	11		21.79	1.7	23.49	1.00	30.00	PASS	
		25	0	21.62	1.7	23.32	1.00	30.00	PASS		
		Middle	QPSK	1	0	22.49	1.7	24.19	1.00	30.00	PASS
	1			12	22.39	1.7	24.09	1.00	30.00	PASS	
	1			24	22.30	1.7	24.00	1.00	30.00	PASS	
	12			0	22.30	1.7	24.00	1.00	30.00	PASS	
	12			6	22.18	1.7	23.88	1.00	30.00	PASS	
	12			11	22.02	1.7	23.72	1.00	30.00	PASS	
	25		0	21.83	1.7	23.53	1.00	30.00	PASS		
	16QAM		1	0	22.39	1.7	24.09	1.00	30.00	PASS	
			1	12	22.31	1.7	24.01	1.00	30.00	PASS	
			1	24	22.18	1.7	23.88	1.00	30.00	PASS	
			12	0	22.28	1.7	23.98	1.00	30.00	PASS	
			12	6	22.04	1.7	23.74	1.00	30.00	PASS	
			12	11	21.92	1.7	23.62	1.00	30.00	PASS	
			25	0	21.80	1.7	23.50	1.00	30.00	PASS	
			Highest	QPSK	1	0	22.54	1.7	24.24	1.00	30.00
		1			12	22.42	1.7	24.12	1.00	30.00	PASS
	1	24			22.32	1.7	24.02	1.00	30.00	PASS	
	12	0			22.24	1.7	23.94	1.00	30.00	PASS	
	12	6			22.13	1.7	23.83	1.00	30.00	PASS	
	12	11			22.08	1.7	23.78	1.00	30.00	PASS	
	25	0		22.07	1.7	23.77	1.00	30.00	PASS		
	16QAM	1		0	22.50	1.7	24.20	1.00	30.00	PASS	
1		12		22.28	1.7	23.98	1.00	30.00	PASS		
1		24		22.17	1.7	23.87	1.00	30.00	PASS		
12		0		22.19	1.7	23.89	1.00	30.00	PASS		
12		6		21.94	1.7	23.64	1.00	30.00	PASS		
12		11		22.03	1.7	23.73	1.00	30.00	PASS		
25		0		22.03	1.7	23.73	1.00	30.00	PASS		



Radiated Power (EIRP) for LTE Band 4 /10M										
BW (MHz)	UL Channel	RB Size	RB offset	Modulation	Conduction AVG Power(dBm)	Ant Gain (dBi)	EIRP (dBm)	EIRP Limit(W)	EIRP Limit(dBm)	Verdict
10	Lowest	1	0	QPSK	22.41	1.7	24.11	1.00	30.00	PASS
		1	24		22.38	1.7	24.08	1.00	30.00	PASS
		1	49		22.34	1.7	24.04	1.00	30.00	PASS
		25	0		22.16	1.7	23.86	1.00	30.00	PASS
		25	12		22.14	1.7	23.84	1.00	30.00	PASS
		25	24		22.01	1.7	23.71	1.00	30.00	PASS
		50	0	21.90	1.7	23.60	1.00	30.00	PASS	
		1	0	16QAM	22.39	1.7	24.09	1.00	30.00	PASS
		1	24		22.23	1.7	23.93	1.00	30.00	PASS
		1	49		22.14	1.7	23.84	1.00	30.00	PASS
		25	0		21.97	1.7	23.67	1.00	30.00	PASS
		25	12		21.95	1.7	23.65	1.00	30.00	PASS
		25	24		21.95	1.7	23.65	1.00	30.00	PASS
		50	0	21.87	1.7	23.57	1.00	30.00	PASS	
		Middle	QPSK	1	0	22.46	1.7	24.16	1.00	30.00
	1			24	22.33	1.7	24.03	1.00	30.00	PASS
	1			49	22.24	1.7	23.94	1.00	30.00	PASS
	25			0	22.12	1.7	23.82	1.00	30.00	PASS
	25			12	22.06	1.7	23.76	1.00	30.00	PASS
	25			24	21.86	1.7	23.56	1.00	30.00	PASS
	50		0	21.84	1.7	23.54	1.00	30.00	PASS	
	16QAM		1	0	22.28	1.7	23.98	1.00	30.00	PASS
			1	24	22.15	1.7	23.85	1.00	30.00	PASS
			1	49	22.21	1.7	23.91	1.00	30.00	PASS
			25	0	21.94	1.7	23.64	1.00	30.00	PASS
			25	12	21.88	1.7	23.58	1.00	30.00	PASS
			25	24	21.74	1.7	23.44	1.00	30.00	PASS
	50		0	21.65	1.7	23.35	1.00	30.00	PASS	
	Highest		QPSK	1	0	22.51	1.7	24.21	1.00	30.00
		1		24	22.34	1.7	24.04	1.00	30.00	PASS
		1		49	22.26	1.7	23.96	1.00	30.00	PASS
		25		0	22.19	1.7	23.89	1.00	30.00	PASS
		25		12	22.18	1.7	23.88	1.00	30.00	PASS
		25		24	21.99	1.7	23.69	1.00	30.00	PASS
		50	0	21.95	1.7	23.65	1.00	30.00	PASS	
		16QAM	1	0	22.33	1.7	24.03	1.00	30.00	PASS
			1	24	22.30	1.7	24.00	1.00	30.00	PASS
			1	49	22.19	1.7	23.89	1.00	30.00	PASS
			25	0	22.14	1.7	23.84	1.00	30.00	PASS
			25	12	22.05	1.7	23.75	1.00	30.00	PASS
			25	24	21.99	1.7	23.69	1.00	30.00	PASS
		50	0	21.94	1.7	23.64	1.00	30.00	PASS	



Radiated Power (EIRP) for LTE Band 4 /15M										
BW (MHz)	UL Channel	RB Size	RB offset	Modulation	Conduction AVG Power(dBm)	Ant Gain (dBi)	EIRP (dBm)	EIRP Limit(W)	EIRP Limit(dBm)	Verdict
15	Lowest	1	0	QPSK	22.48	1.7	24.18	1.00	30.00	PASS
		1	37		22.35	1.7	24.05	1.00	30.00	PASS
		1	74		22.22	1.7	23.92	1.00	30.00	PASS
		36	0		22.09	1.7	23.79	1.00	30.00	PASS
		36	18		21.95	1.7	23.65	1.00	30.00	PASS
		36	39		21.83	1.7	23.53	1.00	30.00	PASS
		75	0		21.78	1.7	23.48	1.00	30.00	PASS
		1	0	16QAM	22.43	1.7	24.13	1.00	30.00	PASS
		1	37		22.21	1.7	23.91	1.00	30.00	PASS
		1	74		22.18	1.7	23.88	1.00	30.00	PASS
		36	0		21.93	1.7	23.63	1.00	30.00	PASS
		36	18		21.92	1.7	23.62	1.00	30.00	PASS
		36	39		21.69	1.7	23.39	1.00	30.00	PASS
		75	0		21.76	1.7	23.46	1.00	30.00	PASS
	Middle	1	0	QPSK	22.53	1.7	24.23	1.00	30.00	PASS
		1	37		22.41	1.7	24.11	1.00	30.00	PASS
		1	74		22.41	1.7	24.11	1.00	30.00	PASS
		36	0		22.37	1.7	24.07	1.00	30.00	PASS
		36	18		22.29	1.7	23.99	1.00	30.00	PASS
		36	39		22.11	1.7	23.81	1.00	30.00	PASS
		75	0		22.03	1.7	23.73	1.00	30.00	PASS
		1	0	16QAM	22.42	1.7	24.12	1.00	30.00	PASS
		1	37		22.21	1.7	23.91	1.00	30.00	PASS
		1	74		22.28	1.7	23.98	1.00	30.00	PASS
		36	0		22.33	1.7	24.03	1.00	30.00	PASS
		36	18		22.26	1.7	23.96	1.00	30.00	PASS
		36	39		22.03	1.7	23.73	1.00	30.00	PASS
		75	0		21.87	1.7	23.57	1.00	30.00	PASS
	Highest	1	0	QPSK	22.60	1.7	24.30	1.00	30.00	PASS
		1	37		22.59	1.7	24.29	1.00	30.00	PASS
		1	74		22.58	1.7	24.28	1.00	30.00	PASS
		36	0		22.57	1.7	24.27	1.00	30.00	PASS
		36	18		22.49	1.7	24.19	1.00	30.00	PASS
		36	39		22.41	1.7	24.11	1.00	30.00	PASS
		75	0		22.39	1.7	24.09	1.00	30.00	PASS
		1	0	16QAM	22.58	1.7	24.28	1.00	30.00	PASS
		1	37		22.55	1.7	24.25	1.00	30.00	PASS
		1	74		22.47	1.7	24.17	1.00	30.00	PASS
		36	0		22.44	1.7	24.14	1.00	30.00	PASS
		36	18		22.36	1.7	24.06	1.00	30.00	PASS
		36	39		22.29	1.7	23.99	1.00	30.00	PASS
		75	0		22.23	1.7	23.93	1.00	30.00	PASS



Radiated Power (EIRP) for LTE Band 4 /20M										
BW (MHz)	UL Channel	RB Size	RB offset	Modulation	Conduction AVG Power(dBm)	Ant Gain (dBi)	EIRP (dBm)	EIRP Limit(W)	EIRP Limit(dBm)	Verdict
20	Lowest	1	0	QPSK	22.64	1.7	24.34	1.00	30.00	PASS
		1	49		22.58	1.7	24.28	1.00	30.00	PASS
		1	99		22.50	1.7	24.20	1.00	30.00	PASS
		50	0		22.40	1.7	24.10	1.00	30.00	PASS
		50	24		22.31	1.7	24.01	1.00	30.00	PASS
		50	49		22.15	1.7	23.85	1.00	30.00	PASS
		100	0	22.11	1.7	23.81	1.00	30.00	PASS	
		1	0	16QAM	22.60	1.7	24.30	1.00	30.00	PASS
		1	49		22.45	1.7	24.15	1.00	30.00	PASS
		1	99		22.44	1.7	24.14	1.00	30.00	PASS
		50	0		22.29	1.7	23.99	1.00	30.00	PASS
		50	24		22.14	1.7	23.84	1.00	30.00	PASS
		50	49		21.98	1.7	23.68	1.00	30.00	PASS
		100	0	21.92	1.7	23.62	1.00	30.00	PASS	
		1	0	QPSK	22.68	1.7	24.38	1.00	30.00	PASS
		1	49		22.55	1.7	24.25	1.00	30.00	PASS
	1	99	22.37		1.7	24.07	1.00	30.00	PASS	
	50	0	22.23		1.7	23.93	1.00	30.00	PASS	
	50	24	22.15		1.7	23.85	1.00	30.00	PASS	
	50	49	22.13		1.7	23.83	1.00	30.00	PASS	
	100	0	22.08	1.7	23.78	1.00	30.00	PASS		
	1	0	16QAM	22.55	1.7	24.25	1.00	30.00	PASS	
	1	49		22.48	1.7	24.18	1.00	30.00	PASS	
	1	99		22.28	1.7	23.98	1.00	30.00	PASS	
	50	0		22.10	1.7	23.80	1.00	30.00	PASS	
	50	24		22.12	1.7	23.82	1.00	30.00	PASS	
	50	49		22.13	1.7	23.83	1.00	30.00	PASS	
	100	0	21.96	1.7	23.66	1.00	30.00	PASS		
	1	0	QPSK	22.75	1.7	24.45	1.00	30.00	PASS	
	1	49		22.56	1.7	24.26	1.00	30.00	PASS	
	1	99		22.53	1.7	24.23	1.00	30.00	PASS	
	50	0		22.41	1.7	24.11	1.00	30.00	PASS	
	50	24		22.39	1.7	24.09	1.00	30.00	PASS	
	50	49		22.39	1.7	24.09	1.00	30.00	PASS	
	100	0	22.23	1.7	23.93	1.00	30.00	PASS		
	1	0	16QAM	22.63	1.7	24.33	1.00	30.00	PASS	
	1	49		22.47	1.7	24.17	1.00	30.00	PASS	
	1	99		22.48	1.7	24.18	1.00	30.00	PASS	
	50	0		22.32	1.7	24.02	1.00	30.00	PASS	
	50	24		22.25	1.7	23.95	1.00	30.00	PASS	
	50	49		22.34	1.7	24.04	1.00	30.00	PASS	
	100	0	22.23	1.7	23.93	1.00	30.00	PASS		



Radiated Power (ERP) for LTE Band 5 /1.4M										
BW (MHz)	UL Channel	RB Size	RB offset	Modulation	Conduction AVG Power(dBm)	Ant Gain (dBi)	ERP (dBm)	ERP Limit(W)	ERP Limit(dBm)	Verdict
1.4	Lowest	1	0	QPSK	22.51	-0.2	20.16	7.00	38.45	PASS
		1	2		22.37	-0.2	20.02	7.00	38.45	PASS
		1	5		22.21	-0.2	19.86	7.00	38.45	PASS
		3	0		22.15	-0.2	19.80	7.00	38.45	PASS
		3	1		22.02	-0.2	19.67	7.00	38.45	PASS
		3	2		21.90	-0.2	19.55	7.00	38.45	PASS
		6	0	21.71	-0.2	19.36	7.00	38.45	PASS	
		1	0	16QAM	22.34	-0.2	19.99	7.00	38.45	PASS
		1	2		22.21	-0.2	19.86	7.00	38.45	PASS
		1	5		22.03	-0.2	19.68	7.00	38.45	PASS
		3	0		22.13	-0.2	19.78	7.00	38.45	PASS
		3	1		21.93	-0.2	19.58	7.00	38.45	PASS
		3	2		21.83	-0.2	19.48	7.00	38.45	PASS
		6	0	21.62	-0.2	19.27	7.00	38.45	PASS	
	1	0	QPSK	22.47	-0.2	20.12	7.00	38.45	PASS	
	1	2		22.33	-0.2	19.98	7.00	38.45	PASS	
	1	5		22.17	-0.2	19.82	7.00	38.45	PASS	
	3	0		22.14	-0.2	19.79	7.00	38.45	PASS	
	3	1		21.98	-0.2	19.63	7.00	38.45	PASS	
	3	2		21.90	-0.2	19.55	7.00	38.45	PASS	
	6	0	21.76	-0.2	19.41	7.00	38.45	PASS		
	1	0	16QAM	22.41	-0.2	20.06	7.00	38.45	PASS	
	1	2		22.25	-0.2	19.90	7.00	38.45	PASS	
	1	5		22.13	-0.2	19.78	7.00	38.45	PASS	
	3	0		22.02	-0.2	19.67	7.00	38.45	PASS	
	3	1		21.86	-0.2	19.51	7.00	38.45	PASS	
	3	2		21.78	-0.2	19.43	7.00	38.45	PASS	
	6	0	21.57	-0.2	19.22	7.00	38.45	PASS		
	1	0	QPSK	22.43	-0.2	20.08	7.00	38.45	PASS	
	1	2		22.42	-0.2	20.07	7.00	38.45	PASS	
	1	5		22.28	-0.2	19.93	7.00	38.45	PASS	
	3	0		22.23	-0.2	19.88	7.00	38.45	PASS	
	3	1		22.09	-0.2	19.74	7.00	38.45	PASS	
	3	2		22.01	-0.2	19.66	7.00	38.45	PASS	
	6	0	21.85	-0.2	19.50	7.00	38.45	PASS		
	1	0	16QAM	22.35	-0.2	20.00	7.00	38.45	PASS	
	1	2		22.32	-0.2	19.97	7.00	38.45	PASS	
	1	5		22.23	-0.2	19.88	7.00	38.45	PASS	
	3	0		22.07	-0.2	19.72	7.00	38.45	PASS	
	3	1		22.05	-0.2	19.70	7.00	38.45	PASS	
	3	2		21.92	-0.2	19.57	7.00	38.45	PASS	
	6	0	21.76	-0.2	19.41	7.00	38.45	PASS		



Radiated Power (ERP) for LTE Band 5 /3M										
BW (MHz)	UL Channel	RB Size	RB offset	Modulation	Conduction AVG Power(dBm)	Ant Gain (dBi)	ERP (dBm)	ERP Limit(W)	ERP Limit(dBm)	Verdict
3	Lowest	1	0	QPSK	22.64	-0.2	20.29	7.00	38.45	PASS
		1	7		22.54	-0.2	20.19	7.00	38.45	PASS
		1	14		22.38	-0.2	20.03	7.00	38.45	PASS
		8	0		22.23	-0.2	19.88	7.00	38.45	PASS
		8	4		22.21	-0.2	19.86	7.00	38.45	PASS
		8	7		22.10	-0.2	19.75	7.00	38.45	PASS
		15	0	22.06	-0.2	19.71	7.00	38.45	PASS	
		1	0	22.47	-0.2	20.12	7.00	38.45	PASS	
		1	7	22.41	-0.2	20.06	7.00	38.45	PASS	
		1	14	22.36	-0.2	20.01	7.00	38.45	PASS	
		8	0	22.16	-0.2	19.81	7.00	38.45	PASS	
		8	4	22.15	-0.2	19.80	7.00	38.45	PASS	
		8	7	21.99	-0.2	19.64	7.00	38.45	PASS	
		15	0	21.93	-0.2	19.58	7.00	38.45	PASS	
		Middle	1	0	QPSK	22.57	-0.2	20.22	7.00	38.45
	1		7	22.48		-0.2	20.13	7.00	38.45	PASS
	1		14	22.31		-0.2	19.96	7.00	38.45	PASS
	8		0	22.24		-0.2	19.89	7.00	38.45	PASS
	8		4	22.18		-0.2	19.83	7.00	38.45	PASS
	8		7	22.00		-0.2	19.65	7.00	38.45	PASS
	15		0	21.92	-0.2	19.57	7.00	38.45	PASS	
	1		0	22.50	-0.2	20.15	7.00	38.45	PASS	
	1		7	22.44	-0.2	20.09	7.00	38.45	PASS	
	1		14	22.13	-0.2	19.78	7.00	38.45	PASS	
	8		0	22.04	-0.2	19.69	7.00	38.45	PASS	
	8		4	22.02	-0.2	19.67	7.00	38.45	PASS	
	8		7	21.87	-0.2	19.52	7.00	38.45	PASS	
	15		0	21.72	-0.2	19.37	7.00	38.45	PASS	
	Highest		1	0	QPSK	22.49	-0.2	20.14	7.00	38.45
		1	7	22.34		-0.2	19.99	7.00	38.45	PASS
		1	14	22.15		-0.2	19.80	7.00	38.45	PASS
		8	0	21.98		-0.2	19.63	7.00	38.45	PASS
		8	4	21.92		-0.2	19.57	7.00	38.45	PASS
		8	7	21.75		-0.2	19.40	7.00	38.45	PASS
		15	0	21.64	-0.2	19.29	7.00	38.45	PASS	
		1	0	22.38	-0.2	20.03	7.00	38.45	PASS	
1		7	22.34	-0.2	19.99	7.00	38.45	PASS		
1		14	22.00	-0.2	19.65	7.00	38.45	PASS		
8		0	21.79	-0.2	19.44	7.00	38.45	PASS		
8		4	21.85	-0.2	19.50	7.00	38.45	PASS		
8		7	21.64	-0.2	19.29	7.00	38.45	PASS		
15		0	21.46	-0.2	19.11	7.00	38.45	PASS		



Radiated Power (ERP) for LTE Band 5 /5M											
BW (MHz)	UL Channel	RB Size	RB offset	Modulation	Conduction AVG Power(dBm)	Ant Gain (dBi)	ERP (dBm)	ERP Limit(W)	ERP Limit(dBm)	Verdict	
5	Lowest	1	0	QPSK	22.70	-0.2	20.35	7.00	38.45	PASS	
		1	12		22.54	-0.2	20.19	7.00	38.45	PASS	
		1	24		22.43	-0.2	20.08	7.00	38.45	PASS	
		12	0		22.41	-0.2	20.06	7.00	38.45	PASS	
		12	6		22.25	-0.2	19.90	7.00	38.45	PASS	
		12	11		22.25	-0.2	19.90	7.00	38.45	PASS	
		25	0	22.23	-0.2	19.88	7.00	38.45	PASS		
		1	0	16QAM	22.53	-0.2	20.18	7.00	38.45	PASS	
		1	12		22.53	-0.2	20.18	7.00	38.45	PASS	
		1	24		22.23	-0.2	19.88	7.00	38.45	PASS	
		12	0		22.31	-0.2	19.96	7.00	38.45	PASS	
		12	6		22.06	-0.2	19.71	7.00	38.45	PASS	
		12	11		22.09	-0.2	19.74	7.00	38.45	PASS	
		25	0	22.20	-0.2	19.85	7.00	38.45	PASS		
		Middle	1	0	QPSK	22.63	-0.2	20.28	7.00	38.45	PASS
			1	12		22.49	-0.2	20.14	7.00	38.45	PASS
			1	24		22.40	-0.2	20.05	7.00	38.45	PASS
			12	0		22.28	-0.2	19.93	7.00	38.45	PASS
	12		6	22.23		-0.2	19.88	7.00	38.45	PASS	
	12		11	22.08		-0.2	19.73	7.00	38.45	PASS	
	25		0	22.01	-0.2	19.66	7.00	38.45	PASS		
	1		0	16QAM	22.54	-0.2	20.19	7.00	38.45	PASS	
	1		12		22.47	-0.2	20.12	7.00	38.45	PASS	
	1		24		22.39	-0.2	20.04	7.00	38.45	PASS	
	12		0		22.16	-0.2	19.81	7.00	38.45	PASS	
	12		6		22.14	-0.2	19.79	7.00	38.45	PASS	
	12		11		21.98	-0.2	19.63	7.00	38.45	PASS	
	25		0	21.89	-0.2	19.54	7.00	38.45	PASS		
	Highest		1	0	QPSK	22.58	-0.2	20.23	7.00	38.45	PASS
			1	12		22.41	-0.2	20.06	7.00	38.45	PASS
			1	24		22.36	-0.2	20.01	7.00	38.45	PASS
			12	0		22.19	-0.2	19.84	7.00	38.45	PASS
		12	6	22.01		-0.2	19.66	7.00	38.45	PASS	
		12	11	21.83		-0.2	19.48	7.00	38.45	PASS	
		25	0	21.69	-0.2	19.34	7.00	38.45	PASS		
		1	0	16QAM	22.44	-0.2	20.09	7.00	38.45	PASS	
		1	12		22.33	-0.2	19.98	7.00	38.45	PASS	
		1	24		22.33	-0.2	19.98	7.00	38.45	PASS	
		12	0		22.15	-0.2	19.80	7.00	38.45	PASS	
		12	6		21.90	-0.2	19.55	7.00	38.45	PASS	
		12	11		21.73	-0.2	19.38	7.00	38.45	PASS	
		25	0	21.61	-0.2	19.26	7.00	38.45	PASS		



Radiated Power (ERP) for LTE Band 5 /10M										
BW (MHz)	UL Channel	RB Size	RB offset	Modulation	Conduction AVG Power(dBm)	Ant Gain (dBi)	ERP (dBm)	ERP Limit(W)	ERP Limit(dBm)	Verdict
10	Lowest	1	0	QPSK	22.81	-0.2	20.46	7.00	38.45	PASS
		1	24		22.72	-0.2	20.37	7.00	38.45	PASS
		1	49		22.62	-0.2	20.27	7.00	38.45	PASS
		25	0		22.42	-0.2	20.07	7.00	38.45	PASS
		25	12		22.31	-0.2	19.96	7.00	38.45	PASS
		25	24		22.27	-0.2	19.92	7.00	38.45	PASS
		50	0	22.19	-0.2	19.84	7.00	38.45	PASS	
		1	0	16QAM	22.64	-0.2	20.29	7.00	38.45	PASS
		1	24		22.60	-0.2	20.25	7.00	38.45	PASS
		1	49		22.60	-0.2	20.25	7.00	38.45	PASS
		25	0		22.25	-0.2	19.90	7.00	38.45	PASS
		25	12		22.25	-0.2	19.90	7.00	38.45	PASS
		25	24		22.26	-0.2	19.91	7.00	38.45	PASS
		50	0	22.06	-0.2	19.71	7.00	38.45	PASS	
	Middle	1	0	QPSK	22.69	-0.2	20.34	7.00	38.45	PASS
		1	24		22.62	-0.2	20.27	7.00	38.45	PASS
		1	49		22.57	-0.2	20.22	7.00	38.45	PASS
		25	0		22.44	-0.2	20.09	7.00	38.45	PASS
		25	12		22.44	-0.2	20.09	7.00	38.45	PASS
		25	24		22.42	-0.2	20.07	7.00	38.45	PASS
		50	0	22.28	-0.2	19.93	7.00	38.45	PASS	
		1	0	16QAM	22.57	-0.2	20.22	7.00	38.45	PASS
		1	24		22.53	-0.2	20.18	7.00	38.45	PASS
		1	49		22.50	-0.2	20.15	7.00	38.45	PASS
		25	0		22.36	-0.2	20.01	7.00	38.45	PASS
		25	12		22.24	-0.2	19.89	7.00	38.45	PASS
		25	24		22.42	-0.2	20.07	7.00	38.45	PASS
		50	0	22.28	-0.2	19.93	7.00	38.45	PASS	
	Highest	1	0	QPSK	22.63	-0.2	20.28	7.00	38.45	PASS
		1	24		22.54	-0.2	20.19	7.00	38.45	PASS
		1	49		22.44	-0.2	20.09	7.00	38.45	PASS
		25	0		22.24	-0.2	19.89	7.00	38.45	PASS
		25	12		22.21	-0.2	19.86	7.00	38.45	PASS
		25	24		22.01	-0.2	19.66	7.00	38.45	PASS
		50	0	21.95	-0.2	19.60	7.00	38.45	PASS	
		1	0	16QAM	22.60	-0.2	20.25	7.00	38.45	PASS
1		24	22.43		-0.2	20.08	7.00	38.45	PASS	
1		49	22.42		-0.2	20.07	7.00	38.45	PASS	
25		0	22.18		-0.2	19.83	7.00	38.45	PASS	
25		12	22.08		-0.2	19.73	7.00	38.45	PASS	
25		24	21.98		-0.2	19.63	7.00	38.45	PASS	
50		0	21.92	-0.2	19.57	7.00	38.45	PASS		



Radiated Power (ERP) for LTE Band 12 /1.4M										
BW (MHz)	UL Channel	RB Size	RB offset	Modulation	Conduction AVG Power(dBm)	Ant Gain (dBi)	ERP (dBm)	ERP Limit(W)	ERP Limit(dBm)	Verdict
1.4	Lowest	1	0	QPSK	22.65	-2.44	18.06	3.00	34.77	PASS
		1	2		22.65	-2.44	18.06	3.00	34.77	PASS
		1	5		22.60	-2.44	18.01	3.00	34.77	PASS
		3	0		22.55	-2.44	17.96	3.00	34.77	PASS
		3	1		22.40	-2.44	17.81	3.00	34.77	PASS
		3	2		22.31	-2.44	17.72	3.00	34.77	PASS
		6	0	22.11	-2.44	17.52	3.00	34.77	PASS	
		1	0	22.56	-2.44	17.97	3.00	34.77	PASS	
		1	2	22.53	-2.44	17.94	3.00	34.77	PASS	
		1	5	22.55	-2.44	17.96	3.00	34.77	PASS	
		3	0	22.40	-2.44	17.81	3.00	34.77	PASS	
		3	1	22.39	-2.44	17.80	3.00	34.77	PASS	
	3	2	22.21	-2.44	17.62	3.00	34.77	PASS		
	6	0	22.07	-2.44	17.48	3.00	34.77	PASS		
	1	0	22.76	-2.44	18.17	3.00	34.77	PASS		
	1	2	22.76	-2.44	18.17	3.00	34.77	PASS		
	1	5	22.67	-2.44	18.08	3.00	34.77	PASS		
	3	0	22.64	-2.44	18.05	3.00	34.77	PASS		
	3	1	22.48	-2.44	17.89	3.00	34.77	PASS		
	3	2	22.43	-2.44	17.84	3.00	34.77	PASS		
	6	0	22.26	-2.44	17.67	3.00	34.77	PASS		
	1	0	22.63	-2.44	18.04	3.00	34.77	PASS		
	1	2	22.68	-2.44	18.09	3.00	34.77	PASS		
	1	5	22.52	-2.44	17.93	3.00	34.77	PASS		
	3	0	22.53	-2.44	17.94	3.00	34.77	PASS		
	3	1	22.35	-2.44	17.76	3.00	34.77	PASS		
	3	2	22.33	-2.44	17.74	3.00	34.77	PASS		
	6	0	22.10	-2.44	17.51	3.00	34.77	PASS		
	1	0	22.83	-2.44	18.24	3.00	34.77	PASS		
	1	2	22.73	-2.44	18.14	3.00	34.77	PASS		
	1	5	22.53	-2.44	17.94	3.00	34.77	PASS		
	3	0	22.45	-2.44	17.86	3.00	34.77	PASS		
	3	1	22.31	-2.44	17.72	3.00	34.77	PASS		
	3	2	22.31	-2.44	17.72	3.00	34.77	PASS		
	6	0	22.27	-2.44	17.68	3.00	34.77	PASS		
	1	0	22.66	-2.44	18.07	3.00	34.77	PASS		
1	2	22.72	-2.44	18.13	3.00	34.77	PASS			
1	5	22.47	-2.44	17.88	3.00	34.77	PASS			
3	0	22.35	-2.44	17.76	3.00	34.77	PASS			
3	1	22.24	-2.44	17.65	3.00	34.77	PASS			
3	2	22.18	-2.44	17.59	3.00	34.77	PASS			
6	0	22.10	-2.44	17.51	3.00	34.77	PASS			



Radiated Power (ERP) for LTE Band 12 /3M										
BW (MHz)	UL Channel	RB Size	RB offset	Modulation	Conduction AVG Power(dBm)	Ant Gain (dBi)	ERP (dBm)	ERP Limit(W)	ERP Limit(dBm)	Verdict
3	Lowest	1	0	QPSK	22.74	-2.44	18.15	3.00	34.77	PASS
		1	7		22.69	-2.44	18.10	3.00	34.77	PASS
		1	14		22.51	-2.44	17.92	3.00	34.77	PASS
		8	0		22.45	-2.44	17.86	3.00	34.77	PASS
		8	4		22.30	-2.44	17.71	3.00	34.77	PASS
		8	7		22.11	-2.44	17.52	3.00	34.77	PASS
		15	0	21.99	-2.44	17.40	3.00	34.77	PASS	
		1	0	16QAM	22.73	-2.44	18.14	3.00	34.77	PASS
		1	7		22.54	-2.44	17.95	3.00	34.77	PASS
		1	14		22.39	-2.44	17.80	3.00	34.77	PASS
		8	0		22.35	-2.44	17.76	3.00	34.77	PASS
		8	4		22.15	-2.44	17.56	3.00	34.77	PASS
		8	7		21.93	-2.44	17.34	3.00	34.77	PASS
		15	0	21.88	-2.44	17.29	3.00	34.77	PASS	
		Middle	QPSK	1	0	22.81	-2.44	18.22	3.00	34.77
	1			7	22.63	-2.44	18.04	3.00	34.77	PASS
	1			14	22.49	-2.44	17.90	3.00	34.77	PASS
	8			0	22.42	-2.44	17.83	3.00	34.77	PASS
	8			4	22.23	-2.44	17.64	3.00	34.77	PASS
	8			7	22.17	-2.44	17.58	3.00	34.77	PASS
	15		0	22.16	-2.44	17.57	3.00	34.77	PASS	
	16QAM		1	0	22.72	-2.44	18.13	3.00	34.77	PASS
			1	7	22.44	-2.44	17.85	3.00	34.77	PASS
			1	14	22.45	-2.44	17.86	3.00	34.77	PASS
			8	0	22.42	-2.44	17.83	3.00	34.77	PASS
			8	4	22.06	-2.44	17.47	3.00	34.77	PASS
			8	7	22.15	-2.44	17.56	3.00	34.77	PASS
	15		0	22.04	-2.44	17.45	3.00	34.77	PASS	
	Highest		QPSK	1	0	22.94	-2.44	18.35	3.00	34.77
		1		7	22.93	-2.44	18.34	3.00	34.77	PASS
		1		14	22.92	-2.44	18.33	3.00	34.77	PASS
		8		0	22.86	-2.44	18.27	3.00	34.77	PASS
		8		4	22.66	-2.44	18.07	3.00	34.77	PASS
		8		7	22.65	-2.44	18.06	3.00	34.77	PASS
		15	0	22.64	-2.44	18.05	3.00	34.77	PASS	
		16QAM	1	0	22.87	-2.44	18.28	3.00	34.77	PASS
1			7	22.75	-2.44	18.16	3.00	34.77	PASS	
1			14	22.87	-2.44	18.28	3.00	34.77	PASS	
8			0	22.85	-2.44	18.26	3.00	34.77	PASS	
8			4	22.57	-2.44	17.98	3.00	34.77	PASS	
8			7	22.46	-2.44	17.87	3.00	34.77	PASS	
15		0	22.57	-2.44	17.98	3.00	34.77	PASS		



Radiated Power (ERP) for LTE Band 12 /5M										
BW (MHz)	UL Channel	RB Size	RB offset	Modulation	Conduction AVG Power(dBm)	Ant Gain (dBi)	ERP (dBm)	ERP Limit(W)	ERP Limit(dBm)	Verdict
5	Lowest	1	0	QPSK	22.93	-2.44	18.34	3.00	34.77	PASS
		1	12		22.86	-2.44	18.27	3.00	34.77	PASS
		1	24		22.84	-2.44	18.25	3.00	34.77	PASS
		12	0		22.71	-2.44	18.12	3.00	34.77	PASS
		12	6		22.64	-2.44	18.05	3.00	34.77	PASS
		12	11		22.64	-2.44	18.05	3.00	34.77	PASS
		25	0	22.48	-2.44	17.89	3.00	34.77	PASS	
		1	0	22.83	-2.44	18.24	3.00	34.77	PASS	
		1	12	22.68	-2.44	18.09	3.00	34.77	PASS	
		1	24	22.67	-2.44	18.08	3.00	34.77	PASS	
		12	0	22.71	-2.44	18.12	3.00	34.77	PASS	
		12	6	22.45	-2.44	17.86	3.00	34.77	PASS	
	12	11	22.62	-2.44	18.03	3.00	34.77	PASS		
	25	0	22.35	-2.44	17.76	3.00	34.77	PASS		
	1	0	22.88	-2.44	18.29	3.00	34.77	PASS		
	1	12	22.82	-2.44	18.23	3.00	34.77	PASS		
	1	24	22.81	-2.44	18.22	3.00	34.77	PASS		
	12	0	22.69	-2.44	18.10	3.00	34.77	PASS		
	12	6	22.52	-2.44	17.93	3.00	34.77	PASS		
	12	11	22.43	-2.44	17.84	3.00	34.77	PASS		
	25	0	22.27	-2.44	17.68	3.00	34.77	PASS		
	1	0	22.85	-2.44	18.26	3.00	34.77	PASS		
	1	12	22.72	-2.44	18.13	3.00	34.77	PASS		
	1	24	22.77	-2.44	18.18	3.00	34.77	PASS		
	12	0	22.54	-2.44	17.95	3.00	34.77	PASS		
	12	6	22.47	-2.44	17.88	3.00	34.77	PASS		
	12	11	22.24	-2.44	17.65	3.00	34.77	PASS		
	25	0	22.21	-2.44	17.62	3.00	34.77	PASS		
	1	0	22.82	-2.44	18.23	3.00	34.77	PASS		
	1	12	22.69	-2.44	18.10	3.00	34.77	PASS		
	1	24	22.59	-2.44	18.00	3.00	34.77	PASS		
	12	0	22.47	-2.44	17.88	3.00	34.77	PASS		
	12	6	22.41	-2.44	17.82	3.00	34.77	PASS		
	12	11	22.39	-2.44	17.80	3.00	34.77	PASS		
	25	0	22.38	-2.44	17.79	3.00	34.77	PASS		
	1	0	22.73	-2.44	18.14	3.00	34.77	PASS		
1	12	22.62	-2.44	18.03	3.00	34.77	PASS			
1	24	22.55	-2.44	17.96	3.00	34.77	PASS			
12	0	22.46	-2.44	17.87	3.00	34.77	PASS			
12	6	22.31	-2.44	17.72	3.00	34.77	PASS			
12	11	22.32	-2.44	17.73	3.00	34.77	PASS			
25	0	22.33	-2.44	17.74	3.00	34.77	PASS			



Radiated Power (ERP) for LTE Band 12 /10M										
BW (MHz)	UL Channel	RB Size	RB offset	Modulation	Conduction AVG Power(dBm)	Ant Gain (dBi)	ERP (dBm)	ERP Limit(W)	ERP Limit(dBm)	Verdict
10	Lowest	1	0	QPSK	23.15	-2.44	18.56	3.00	34.77	PASS
		1	24		23.09	-2.44	18.50	3.00	34.77	PASS
		1	49		22.96	-2.44	18.37	3.00	34.77	PASS
		25	0		22.92	-2.44	18.33	3.00	34.77	PASS
		25	12		22.81	-2.44	18.22	3.00	34.77	PASS
		25	24		22.73	-2.44	18.14	3.00	34.77	PASS
		50	0		22.56	-2.44	17.97	3.00	34.77	PASS
		1	0	16QAM	22.97	-2.44	18.38	3.00	34.77	PASS
		1	24		23.01	-2.44	18.42	3.00	34.77	PASS
		1	49		22.77	-2.44	18.18	3.00	34.77	PASS
		25	0		22.78	-2.44	18.19	3.00	34.77	PASS
		25	12		22.76	-2.44	18.17	3.00	34.77	PASS
		25	24		22.62	-2.44	18.03	3.00	34.77	PASS
		50	0		22.47	-2.44	17.88	3.00	34.77	PASS
	Middle	1	0	QPSK	23.09	-2.44	18.50	3.00	34.77	PASS
		1	24		22.98	-2.44	18.39	3.00	34.77	PASS
		1	49		22.92	-2.44	18.33	3.00	34.77	PASS
		25	0		22.79	-2.44	18.20	3.00	34.77	PASS
		25	12		22.66	-2.44	18.07	3.00	34.77	PASS
		25	24		22.50	-2.44	17.91	3.00	34.77	PASS
		50	0		22.36	-2.44	17.77	3.00	34.77	PASS
		1	0	16QAM	23.01	-2.44	18.42	3.00	34.77	PASS
		1	24		22.91	-2.44	18.32	3.00	34.77	PASS
		1	49		22.86	-2.44	18.27	3.00	34.77	PASS
		25	0		22.62	-2.44	18.03	3.00	34.77	PASS
		25	12		22.65	-2.44	18.06	3.00	34.77	PASS
		25	24		22.34	-2.44	17.75	3.00	34.77	PASS
		50	0		22.30	-2.44	17.71	3.00	34.77	PASS
	Highest	1	0	QPSK	23.07	-2.44	18.48	3.00	34.77	PASS
		1	24		22.99	-2.44	18.40	3.00	34.77	PASS
		1	49		22.82	-2.44	18.23	3.00	34.77	PASS
		25	0		22.75	-2.44	18.16	3.00	34.77	PASS
		25	12		22.72	-2.44	18.13	3.00	34.77	PASS
		25	24		22.69	-2.44	18.10	3.00	34.77	PASS
		50	0		22.60	-2.44	18.01	3.00	34.77	PASS
		1	0	16QAM	22.88	-2.44	18.29	3.00	34.77	PASS
1		24	22.88		-2.44	18.29	3.00	34.77	PASS	
1		49	22.69		-2.44	18.10	3.00	34.77	PASS	
25		0	22.75		-2.44	18.16	3.00	34.77	PASS	
25		12	22.56		-2.44	17.97	3.00	34.77	PASS	
25		24	22.60		-2.44	18.01	3.00	34.77	PASS	
50		0	22.48		-2.44	17.89	3.00	34.77	PASS	



Radiated Power (EIRP) for LTE Band 66 /1.4M										
BW (MHz)	UL Channel	RB Size	RB offset	Modulation	Conduction AVG Power(dBm)	Ant Gain (dBi)	EIRP (dBm)	EIRP Limit(W)	EIRP Limit(dBm)	Verdict
1.4	Lowest	1	0	QPSK	22.25	1.7	23.95	1.00	30.00	PASS
		1	2		22.07	1.7	23.77	1.00	30.00	PASS
		1	5		21.98	1.7	23.68	1.00	30.00	PASS
		3	0		21.85	1.7	23.55	1.00	30.00	PASS
		3	1		21.65	1.7	23.35	1.00	30.00	PASS
		3	2		21.54	1.7	23.24	1.00	30.00	PASS
		6	0	21.50	1.7	23.20	1.00	30.00	PASS	
		1	0	16QAM	22.16	1.7	23.86	1.00	30.00	PASS
		1	2		21.90	1.7	23.60	1.00	30.00	PASS
		1	5		21.85	1.7	23.55	1.00	30.00	PASS
		3	0		21.84	1.7	23.54	1.00	30.00	PASS
		3	1		21.48	1.7	23.18	1.00	30.00	PASS
		3	2		21.39	1.7	23.09	1.00	30.00	PASS
		6	0	21.32	1.7	23.02	1.00	30.00	PASS	
	Middle	1	0	QPSK	22.30	1.7	24.00	1.00	30.00	PASS
		1	2		22.28	1.7	23.98	1.00	30.00	PASS
		1	5		22.15	1.7	23.85	1.00	30.00	PASS
		3	0		22.05	1.7	23.75	1.00	30.00	PASS
		3	1		21.89	1.7	23.59	1.00	30.00	PASS
		3	2		21.84	1.7	23.54	1.00	30.00	PASS
		6	0	21.70	1.7	23.40	1.00	30.00	PASS	
		1	0	16QAM	22.29	1.7	23.99	1.00	30.00	PASS
		1	2		22.12	1.7	23.82	1.00	30.00	PASS
		1	5		22.12	1.7	23.82	1.00	30.00	PASS
		3	0		22.05	1.7	23.75	1.00	30.00	PASS
		3	1		21.78	1.7	23.48	1.00	30.00	PASS
		3	2		21.67	1.7	23.37	1.00	30.00	PASS
		6	0	21.62	1.7	23.32	1.00	30.00	PASS	
	Highest	1	0	QPSK	22.21	1.7	23.91	1.00	30.00	PASS
		1	2		22.04	1.7	23.74	1.00	30.00	PASS
		1	5		21.91	1.7	23.61	1.00	30.00	PASS
		3	0		21.89	1.7	23.59	1.00	30.00	PASS
		3	1		21.76	1.7	23.46	1.00	30.00	PASS
		3	2		21.59	1.7	23.29	1.00	30.00	PASS
		6	0	21.44	1.7	23.14	1.00	30.00	PASS	
		1	0	16QAM	22.04	1.7	23.74	1.00	30.00	PASS
1		2	21.93		1.7	23.63	1.00	30.00	PASS	
1		5	21.85		1.7	23.55	1.00	30.00	PASS	
3		0	21.74		1.7	23.44	1.00	30.00	PASS	
3		1	21.66		1.7	23.36	1.00	30.00	PASS	
3		2	21.54		1.7	23.24	1.00	30.00	PASS	
6		0	21.25	1.7	22.95	1.00	30.00	PASS		



Radiated Power (EIRP) for LTE Band 66 /3M											
BW (MHz)	UL Channel	RB Size	RB offset	Modulation	Conduction AVG Power(dBm)	Ant Gain (dBi)	EIRP (dBm)	EIRP Limit(W)	EIRP Limit(dBm)	Verdict	
3	Lowest	1	0	QPSK	22.34	1.7	24.04	1.00	30.00	PASS	
		1	7		22.20	1.7	23.90	1.00	30.00	PASS	
		1	14		22.17	1.7	23.87	1.00	30.00	PASS	
		8	0		22.17	1.7	23.87	1.00	30.00	PASS	
		8	4		22.12	1.7	23.82	1.00	30.00	PASS	
		8	7		21.96	1.7	23.66	1.00	30.00	PASS	
		15	0	21.94	1.7	23.64	1.00	30.00	PASS		
		1	0	16QAM	22.21	1.7	23.91	1.00	30.00	PASS	
		1	7		22.20	1.7	23.90	1.00	30.00	PASS	
		1	14		22.16	1.7	23.86	1.00	30.00	PASS	
		8	0		22.16	1.7	23.86	1.00	30.00	PASS	
		8	4		22.05	1.7	23.75	1.00	30.00	PASS	
		8	7		21.91	1.7	23.61	1.00	30.00	PASS	
		15	0	21.75	1.7	23.45	1.00	30.00	PASS		
		Middle	QPSK	1	0	22.41	1.7	24.11	1.00	30.00	PASS
	1			7	22.29	1.7	23.99	1.00	30.00	PASS	
	1			14	22.26	1.7	23.96	1.00	30.00	PASS	
	8			0	22.10	1.7	23.80	1.00	30.00	PASS	
	8			4	22.09	1.7	23.79	1.00	30.00	PASS	
	8			7	21.96	1.7	23.66	1.00	30.00	PASS	
	15		0	21.89	1.7	23.59	1.00	30.00	PASS		
	16QAM		1	0	22.28	1.7	23.98	1.00	30.00	PASS	
			1	7	22.10	1.7	23.80	1.00	30.00	PASS	
			1	14	22.11	1.7	23.81	1.00	30.00	PASS	
			8	0	22.01	1.7	23.71	1.00	30.00	PASS	
			8	4	21.97	1.7	23.67	1.00	30.00	PASS	
			8	7	21.91	1.7	23.61	1.00	30.00	PASS	
			15	0	21.85	1.7	23.55	1.00	30.00	PASS	
			Highest	QPSK	1	0	22.31	1.7	24.01	1.00	30.00
		1			7	22.17	1.7	23.87	1.00	30.00	PASS
	1	14			22.16	1.7	23.86	1.00	30.00	PASS	
	8	0			21.96	1.7	23.66	1.00	30.00	PASS	
	8	4			21.82	1.7	23.52	1.00	30.00	PASS	
	8	7			21.81	1.7	23.51	1.00	30.00	PASS	
	15	0		21.67	1.7	23.37	1.00	30.00	PASS		
	16QAM	1		0	22.31	1.7	24.01	1.00	30.00	PASS	
1		7		22.07	1.7	23.77	1.00	30.00	PASS		
1		14		22.09	1.7	23.79	1.00	30.00	PASS		
8		0		21.85	1.7	23.55	1.00	30.00	PASS		
8		4		21.65	1.7	23.35	1.00	30.00	PASS		
8		7		21.76	1.7	23.46	1.00	30.00	PASS		
15		0		21.51	1.7	23.21	1.00	30.00	PASS		



Radiated Power (EIRP) for LTE Band 66 /5M										
BW (MHz)	UL Channel	RB Size	RB offset	Modulation	Conduction AVG Power(dBm)	Ant Gain (dBi)	EIRP (dBm)	EIRP Limit(W)	EIRP Limit(dBm)	Verdict
5	Lowest	1	0	QPSK	22.42	1.7	24.12	1.00	30.00	PASS
		1	12		22.23	1.7	23.93	1.00	30.00	PASS
		1	24		22.10	1.7	23.80	1.00	30.00	PASS
		12	0		22.08	1.7	23.78	1.00	30.00	PASS
		12	6		22.00	1.7	23.70	1.00	30.00	PASS
		12	11		21.81	1.7	23.51	1.00	30.00	PASS
		25	0	21.70	1.7	23.40	1.00	30.00	PASS	
		1	0	22.38	1.7	24.08	1.00	30.00	PASS	
		1	12	22.20	1.7	23.90	1.00	30.00	PASS	
		1	24	21.91	1.7	23.61	1.00	30.00	PASS	
		12	0	21.89	1.7	23.59	1.00	30.00	PASS	
		12	6	21.80	1.7	23.50	1.00	30.00	PASS	
		12	11	21.69	1.7	23.39	1.00	30.00	PASS	
		25	0	21.60	1.7	23.30	1.00	30.00	PASS	
		1	0	22.53	1.7	24.23	1.00	30.00	PASS	
	1	12	22.50	1.7	24.20	1.00	30.00	PASS		
	1	24	22.46	1.7	24.16	1.00	30.00	PASS		
	12	0	22.32	1.7	24.02	1.00	30.00	PASS		
	12	6	22.19	1.7	23.89	1.00	30.00	PASS		
	12	11	22.07	1.7	23.77	1.00	30.00	PASS		
	25	0	21.90	1.7	23.60	1.00	30.00	PASS		
	1	0	22.38	1.7	24.08	1.00	30.00	PASS		
	1	12	22.37	1.7	24.07	1.00	30.00	PASS		
	1	24	22.37	1.7	24.07	1.00	30.00	PASS		
	12	0	22.14	1.7	23.84	1.00	30.00	PASS		
	12	6	22.13	1.7	23.83	1.00	30.00	PASS		
	12	11	21.99	1.7	23.69	1.00	30.00	PASS		
	25	0	21.75	1.7	23.45	1.00	30.00	PASS		
	1	0	22.47	1.7	24.17	1.00	30.00	PASS		
	1	12	22.39	1.7	24.09	1.00	30.00	PASS		
	1	24	22.36	1.7	24.06	1.00	30.00	PASS		
	12	0	22.28	1.7	23.98	1.00	30.00	PASS		
	12	6	22.16	1.7	23.86	1.00	30.00	PASS		
	12	11	22.15	1.7	23.85	1.00	30.00	PASS		
	25	0	22.05	1.7	23.75	1.00	30.00	PASS		
	1	0	22.44	1.7	24.14	1.00	30.00	PASS		
	1	12	22.36	1.7	24.06	1.00	30.00	PASS		
	1	24	22.21	1.7	23.91	1.00	30.00	PASS		
	12	0	22.27	1.7	23.97	1.00	30.00	PASS		
	12	6	22.12	1.7	23.82	1.00	30.00	PASS		
	12	11	21.98	1.7	23.68	1.00	30.00	PASS		
	25	0	21.94	1.7	23.64	1.00	30.00	PASS		



Radiated Power (EIRP) for LTE Band 66 /10M											
BW (MHz)	UL Channel	RB Size	RB offset	Modulation	Conduction AVG Power(dBm)	Ant Gain (dBi)	EIRP (dBm)	EIRP Limit(W)	EIRP Limit(dBm)	Verdict	
10	Lowest	1	0	QPSK	22.52	1.7	24.22	1.00	30.00	PASS	
		1	24		22.37	1.7	24.07	1.00	30.00	PASS	
		1	49		22.36	1.7	24.06	1.00	30.00	PASS	
		25	0		22.22	1.7	23.92	1.00	30.00	PASS	
		25	12		22.17	1.7	23.87	1.00	30.00	PASS	
		25	24		22.14	1.7	23.84	1.00	30.00	PASS	
		50	0	22.09	1.7	23.79	1.00	30.00	PASS		
		1	0	16QAM	22.35	1.7	24.05	1.00	30.00	PASS	
		1	24		22.25	1.7	23.95	1.00	30.00	PASS	
		1	49		22.21	1.7	23.91	1.00	30.00	PASS	
		25	0		22.12	1.7	23.82	1.00	30.00	PASS	
		25	12		22.10	1.7	23.80	1.00	30.00	PASS	
		25	24		22.04	1.7	23.74	1.00	30.00	PASS	
		50	0	21.97	1.7	23.67	1.00	30.00	PASS		
		Middle	QPSK	1	0	22.60	1.7	24.30	1.00	30.00	PASS
	1			24	22.40	1.7	24.10	1.00	30.00	PASS	
	1			49	22.32	1.7	24.02	1.00	30.00	PASS	
	25			0	22.28	1.7	23.98	1.00	30.00	PASS	
	25			12	22.13	1.7	23.83	1.00	30.00	PASS	
	25			24	22.09	1.7	23.79	1.00	30.00	PASS	
	50		0	21.94	1.7	23.64	1.00	30.00	PASS		
	16QAM		1	0	22.52	1.7	24.22	1.00	30.00	PASS	
			1	24	22.40	1.7	24.10	1.00	30.00	PASS	
			1	49	22.28	1.7	23.98	1.00	30.00	PASS	
			25	0	22.16	1.7	23.86	1.00	30.00	PASS	
			25	12	22.12	1.7	23.82	1.00	30.00	PASS	
			25	24	21.99	1.7	23.69	1.00	30.00	PASS	
			50	0	21.78	1.7	23.48	1.00	30.00	PASS	
			Highest	QPSK	1	0	22.49	1.7	24.19	1.00	30.00
		1			24	22.49	1.7	24.19	1.00	30.00	PASS
	1	49			22.43	1.7	24.13	1.00	30.00	PASS	
	25	0			22.36	1.7	24.06	1.00	30.00	PASS	
	25	12			22.22	1.7	23.92	1.00	30.00	PASS	
	25	24			22.16	1.7	23.86	1.00	30.00	PASS	
	50	0		22.06	1.7	23.76	1.00	30.00	PASS		
	16QAM	1		0	22.38	1.7	24.08	1.00	30.00	PASS	
1		24		22.36	1.7	24.06	1.00	30.00	PASS		
1		49		22.24	1.7	23.94	1.00	30.00	PASS		
25		0		22.18	1.7	23.88	1.00	30.00	PASS		
25		12		22.13	1.7	23.83	1.00	30.00	PASS		
25		24		21.98	1.7	23.68	1.00	30.00	PASS		
50		0		21.90	1.7	23.60	1.00	30.00	PASS		



Radiated Power (EIRP) for LTE Band 66 /15M										
BW (MHz)	UL Channel	RB Size	RB offset	Modulation	Conduction AVG Power(dBm)	Ant Gain (dBi)	EIRP (dBm)	EIRP Limit(W)	EIRP Limit(dBm)	Verdict
15	Lowest	1	0	QPSK	22.57	1.7	24.27	1.00	30.00	PASS
		1	37		22.40	1.7	24.10	1.00	30.00	PASS
		1	74		22.28	1.7	23.98	1.00	30.00	PASS
		36	0		22.12	1.7	23.82	1.00	30.00	PASS
		36	18		22.05	1.7	23.75	1.00	30.00	PASS
		36	39		22.03	1.7	23.73	1.00	30.00	PASS
		75	0		21.87	1.7	23.57	1.00	30.00	PASS
		1	0	16QAM	22.53	1.7	24.23	1.00	30.00	PASS
		1	37		22.39	1.7	24.09	1.00	30.00	PASS
		1	74		22.18	1.7	23.88	1.00	30.00	PASS
		36	0		21.98	1.7	23.68	1.00	30.00	PASS
		36	18		21.86	1.7	23.56	1.00	30.00	PASS
		36	39		21.84	1.7	23.54	1.00	30.00	PASS
		75	0		21.72	1.7	23.42	1.00	30.00	PASS
	Middle	1	0	QPSK	22.78	1.7	24.48	1.00	30.00	PASS
		1	37		22.63	1.7	24.33	1.00	30.00	PASS
		1	74		22.47	1.7	24.17	1.00	30.00	PASS
		36	0		22.37	1.7	24.07	1.00	30.00	PASS
		36	18		22.37	1.7	24.07	1.00	30.00	PASS
		36	39		22.23	1.7	23.93	1.00	30.00	PASS
		75	0		22.11	1.7	23.81	1.00	30.00	PASS
		1	0	16QAM	22.61	1.7	24.31	1.00	30.00	PASS
		1	37		22.58	1.7	24.28	1.00	30.00	PASS
		1	74		22.29	1.7	23.99	1.00	30.00	PASS
		36	0		22.18	1.7	23.88	1.00	30.00	PASS
		36	18		22.31	1.7	24.01	1.00	30.00	PASS
		36	39		22.11	1.7	23.81	1.00	30.00	PASS
		75	0		21.97	1.7	23.67	1.00	30.00	PASS
	Highest	1	0	QPSK	22.66	1.7	24.36	1.00	30.00	PASS
		1	37		22.51	1.7	24.21	1.00	30.00	PASS
		1	74		22.37	1.7	24.07	1.00	30.00	PASS
		36	0		22.18	1.7	23.88	1.00	30.00	PASS
		36	18		22.01	1.7	23.71	1.00	30.00	PASS
		36	39		21.94	1.7	23.64	1.00	30.00	PASS
		75	0		21.81	1.7	23.51	1.00	30.00	PASS
		1	0	16QAM	22.48	1.7	24.18	1.00	30.00	PASS
		1	37		22.48	1.7	24.18	1.00	30.00	PASS
		1	74		22.27	1.7	23.97	1.00	30.00	PASS
		36	0		22.08	1.7	23.78	1.00	30.00	PASS
		36	18		22.00	1.7	23.70	1.00	30.00	PASS
		36	39		21.77	1.7	23.47	1.00	30.00	PASS
		75	0		21.69	1.7	23.39	1.00	30.00	PASS



Radiated Power (EIRP) for LTE Band 66 /20M											
BW (MHz)	UL Channel	RB Size	RB offset	Modulation	Conduction AVG Power(dBm)	Ant Gain (dBi)	EIRP (dBm)	EIRP Limit(W)	EIRP Limit(dBm)	Verdict	
20	Lowest	1	0	QPSK	22.79	1.7	24.49	1.00	30.00	PASS	
		1	49		22.70	1.7	24.40	1.00	30.00	PASS	
		1	99		22.57	1.7	24.27	1.00	30.00	PASS	
		50	0		22.47	1.7	24.17	1.00	30.00	PASS	
		50	24		22.44	1.7	24.14	1.00	30.00	PASS	
		50	49		22.33	1.7	24.03	1.00	30.00	PASS	
		100	0	22.24	1.7	23.94	1.00	30.00	PASS		
		1	0	16QAM	22.67	1.7	24.37	1.00	30.00	PASS	
		1	49		22.59	1.7	24.29	1.00	30.00	PASS	
		1	99		22.43	1.7	24.13	1.00	30.00	PASS	
		50	0		22.42	1.7	24.12	1.00	30.00	PASS	
		50	24		22.27	1.7	23.97	1.00	30.00	PASS	
		50	49		22.24	1.7	23.94	1.00	30.00	PASS	
		100	0	22.16	1.7	23.86	1.00	30.00	PASS		
		Middle	1	0	QPSK	22.89	1.7	24.59	1.00	30.00	PASS
			1	49		22.79	1.7	24.49	1.00	30.00	PASS
	1		99	22.68		1.7	24.38	1.00	30.00	PASS	
	50		0	22.49		1.7	24.19	1.00	30.00	PASS	
	50		24	22.37		1.7	24.07	1.00	30.00	PASS	
	50		49	22.32		1.7	24.02	1.00	30.00	PASS	
	100		0	22.21	1.7	23.91	1.00	30.00	PASS		
	1		0	16QAM	22.82	1.7	24.52	1.00	30.00	PASS	
	1		49		22.72	1.7	24.42	1.00	30.00	PASS	
	1		99		22.48	1.7	24.18	1.00	30.00	PASS	
	50		0		22.31	1.7	24.01	1.00	30.00	PASS	
	50		24		22.29	1.7	23.99	1.00	30.00	PASS	
	50		49		22.26	1.7	23.96	1.00	30.00	PASS	
	100		0	22.12	1.7	23.82	1.00	30.00	PASS		
	Highest		1	0	QPSK	22.73	1.7	24.43	1.00	30.00	PASS
			1	49		22.59	1.7	24.29	1.00	30.00	PASS
		1	99	22.43		1.7	24.13	1.00	30.00	PASS	
		50	0	22.30		1.7	24.00	1.00	30.00	PASS	
		50	24	22.25		1.7	23.95	1.00	30.00	PASS	
		50	49	22.07		1.7	23.77	1.00	30.00	PASS	
		100	0	21.94	1.7	23.64	1.00	30.00	PASS		
		1	0	16QAM	22.59	1.7	24.29	1.00	30.00	PASS	
		1	49		22.44	1.7	24.14	1.00	30.00	PASS	
		1	99		22.36	1.7	24.06	1.00	30.00	PASS	
		50	0		22.15	1.7	23.85	1.00	30.00	PASS	
		50	24		22.07	1.7	23.77	1.00	30.00	PASS	
		50	49		22.03	1.7	23.73	1.00	30.00	PASS	
		100	0	21.86	1.7	23.56	1.00	30.00	PASS		

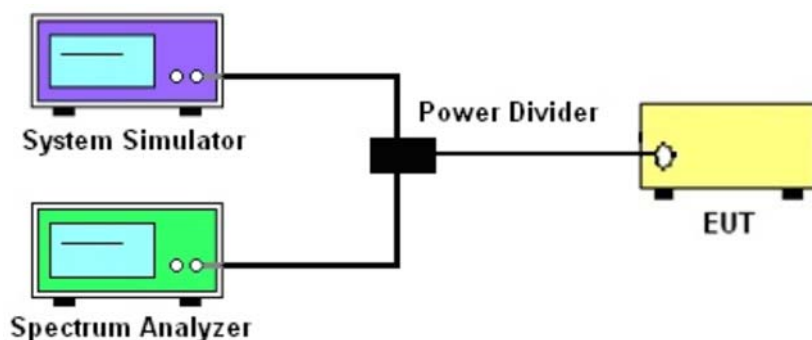
4. PEAK-TO-AVERAGE RATIO

4.1 DESCRIPTION OF THE CONDUCTED OUTPUT POWER MEASUREMENT

4.1.1 MEASUREMENT METHOD

Use one of the procedures presented in 4.1.3 to measure the total peak power and record as PPK. Use one of the applicable procedures presented 4.1.3 to measure the total average power and record as PAVg. Both the peak and average power levels must be expressed in the same logarithmic units (e.g., dBm). Determine the PAPR from:
 $PAPR (dB) = PPK (dBm) - PAVg (dBm)$.

4.1.2 TEST SETUP



4.1.3 TEST PROCEDURES

1. The testing follows FCC KDB 971168 D01 v03r01 Section 5.7 and ANSI C63.26 2015 Section 5.2.6.
2. The EUT was connected to spectrum and system simulator via a power divider
3. Select lowest, middle, and highest channels for each band and different modulation.
4. Set the test probe and measure the peak and average power of the spectrum analyzer
5. Record the deviation as Peak to Average Ratio.

4.1.4 TEST RESULTS

Note: The test data please reference to attachment "STS2211341W02_Appendix LTE".

5. OCCUPIED BANDWIDTH

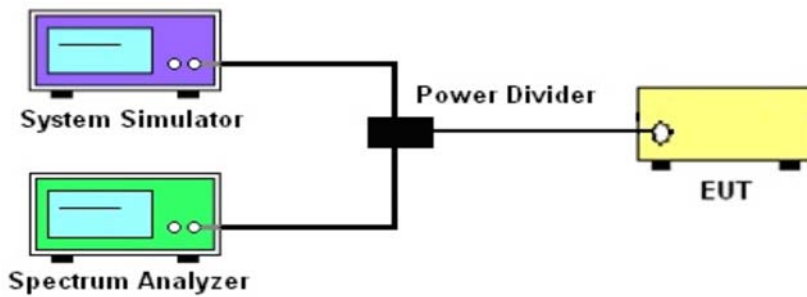
5.1 DESCRIPTION OF OCCUPIED BANDWIDTH MEASUREMENT

5.1.1 MEASUREMENT METHOD

1. The occupied bandwidth is the width of a frequency band such that, below the lower and above the upper frequency limits, the mean powers emitted are each equal to a specified percentage 0.5% of the total mean transmitted power.

2. The 26 db emission bandwidth is defined as the frequency range between two points, one above and one below the carrier frequency, at which the spectral density of the emission is attenuated 26 db below the maximum in-band spectral density of the modulated signal. spectral density (power per unit bandwidth) is to be measured with a detector of resolution bandwidth equal to approximately 1.0% of the emission bandwidth.

5.1.2 TEST SETUP



5.1.3 TEST PROCEDURES

1. The testing follows FCC KDB 971168 D01 v03r01 Section 4.2 and 4.3.
2. The EUT was connected to spectrum and system simulator via a power divider.
3. Select lowest, middle, and highest channels for each band and different modulation.
4. Set the test probe and measure the Occupied Bandwidth of the spectrum analyzer.
5. Measure and record the Occupied Bandwidth from the Spectrum Analyzer.

5.1.4 MEASUREMENT RESULT

Note: The test data please reference to attachment "STS2211341W02_Appendix LTE".



6. CONDUCTED BAND EDGE

6.1 DESCRIPTION OF CONDUCTED BAND EDGE MEASUREMENT

6.1.1 MEASUREMENT METHOD

1. §22.917(a)

For operations in the 824 – 849 MHz band, the FCC limit is $43 + 10\log_{10}(P[\text{Watts}])$ dB below the transmitter power $P(\text{Watts})$ in a 100kHz bandwidth. However, in the 1MHz bands immediately outside and adjacent to the licensee's frequency block, a resolution bandwidth of at least one percent of the emission bandwidth of the fundamental emission of the transmitter may be employed.

2. §24.238 (a)

For operations in the 1850-1910 and 1930-1990 MHz band, the FCC limit is $43 + 10\log_{10}(P[\text{Watts}])$ dB below the transmitter power $P(\text{Watts})$ in a 1MHz bandwidth. However, in the 1 MHz bands immediately outside and adjacent to the frequency block a resolution bandwidth of at least one percent of the emission bandwidth of the fundamental emission of the transmitter may be employed

3. §27.53 (h)

For operations in the 1710 – 1755 MHz band, the FCC limit is $43 + 10\log_{10}(P[\text{Watts}])$ dB below the transmitter power $P(\text{Watts})$ in a 1 MHz bandwidth. However, in the 1MHz bands immediately outside and adjacent to the licensee's frequency block, a resolution bandwidth of at least one percent of the emission bandwidth of the fundamental emission of the transmitter may be employed.

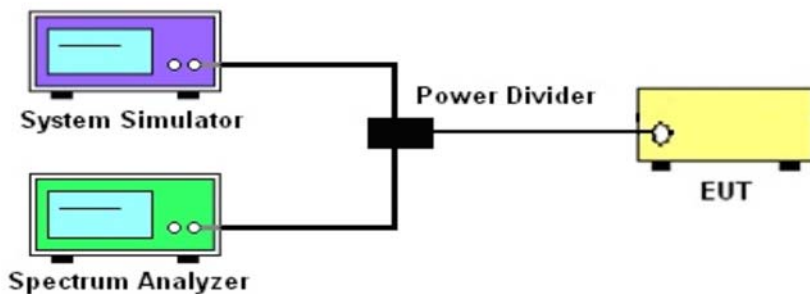
4. §27.53(m)(4)

For operations in the 2500 MHz ~ 2570 MHz band this section, the attenuation factor shall be not less than $40 + 10 \log (P)$ dB on all frequencies between the channel edge and 5 megahertz from the channel edge, $43 + 10 \log (P)$ dB on all frequencies between 5 megahertz and X megahertz from the channel edge, and $55 + 10 \log (P)$ dB on all frequencies more than X megahertz from the channel edge, where X is the greater of 6 megahertz or the actual emission bandwidth as defined in paragraph (m)(6) of this section. In addition, the attenuation factor shall not be less that $43 + 10 \log (P)$ dB on all frequencies between 2490.5 MHz and 2496 MHz and $55 + 10 \log (P)$ dB at or below 2490.5 MHz. Mobile Satellite Service licensees operating on frequencies below 2495 MHz may also submit a documented interference complaint against BRS licensees operating on channel BRS Channel 1 on the same terms and conditions as adjacent channel BRS or EBS licensees.

5. §27.53 (g)

For operations in the 698 -746 MHz band, the FCC limit is $43 + 10\log_{10}(P[\text{Watts}])$ dB below the transmitter power $P(\text{Watts})$ in a 100 kHz bandwidth. However, in the 100 kilohertz bands immediately outside and adjacent to a licensee's frequency block, a resolution bandwidth of at least 30 kHz may be employed.

6.1.2 TEST SETUP



6.1.3 TEST PROCEDURES

1. The testing FCC KDB 971168 D01 v03r01 Section 6.0 and ANSI C63.26 2015 Section 5.7.
2. The EUT was connected to spectrum analyzer and system simulator via a power divider.
3. The band edges of low and high channels for the highest RF powers were measured. Set RBW $\geq 1\%$ EBW in the 1MHz band immediately outside and adjacent to the band edge.
4. Set spectrum analyzer with RMS/AVG detector.
5. The RF fundamental frequency should be excluded against the limit line in the operating frequency band.
6. The limit line is derived from $43 + 10\log(P)$ dB below the transmitter power P(Watts)

$$= P(W) - [43 + 10\log(P)] \text{ (dB)}$$

$$= [30 + 10\log(P)] \text{ (dBm)} - [43 + 10\log(P)] \text{ (dB)}$$

$$= -13\text{dBm}.$$

Band 7:

$$= P(W) - [55 + 10\log(P)] \text{ (dB)}$$

$$= [30 + 10\log(P)] \text{ (dBm)} - [55 + 10\log(P)] \text{ (dB)}$$

$$= -25\text{dBm}.$$

6.1.4 MEASUREMENT RESULT

Note: The test data please reference to attachment "STS2211341W02_Appendix LTE".

7. CONDUCTED SPURIOUS EMISSION

7.1 DESCRIPTION OF CONDUCTED SPURIOUS EMISSION MEASUREMENT

7.1.1 MEASUREMENT METHOD

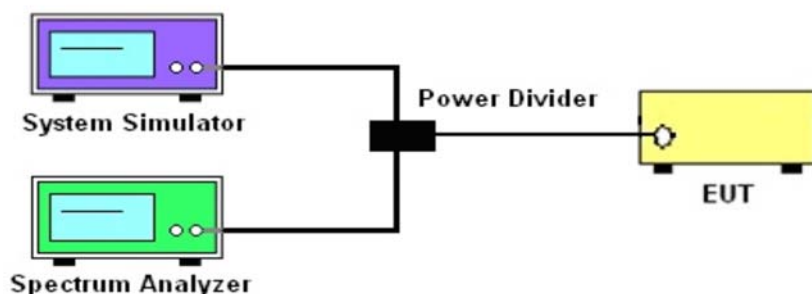
The power of any emission outside of the authorized operating frequency ranges must be lower than the transmitter power (P) by a factor of at least $43 + 10 \log (P)$ dB.

For Band 7:

The power of any emission outside of the authorized operating frequency ranges must be lower than the transmitter power (P) by a factor of at least $55 + 10 \log (P)$ dB.

It is measured by means of a calibrated spectrum analyzer and scanned from 30 MHz up to a frequency including its 10th harmonic.

7.1.2 TEST SETUP



7.1.3 TEST PROCEDURES

1. The testing FCC KDB 971168 D01 v03r01 Section 6.0 and ANSI C63.26 2015 Section 5.7.
2. The EUT was connected to spectrum analyzer and system simulator via a power divider.
3. The RF output of EUT was connected to the spectrum analyzer by RF cable and attenuator. The path loss was compensated to the results for each measurement
4. Make the measurement with the spectrum analyzer's RBW = 1MHz, VBW = 3MHz, taking the record of maximum spurious emission.
5. The RF fundamental frequency should be excluded against the limit line in the operating frequency band.
6. The limit line is derived from $43 + 10\log(P)$ dB below the transmitter power P(Watts)
 $= P(W) - [43 + 10\log(P)]$ (dB) = $[30 + 10\log(P)]$ (dBm) - $[43 + 10\log(P)]$ (dB)
 $= -13$ dBm.

For Band 7: $P(W) - [43 + 10\log(P)]$ (dB) = -25 dBm

7.1.4 TEST RESULTS

Note: The test data please reference to attachment "STS2211341W02_Appendix LTE".

8. RADIATED SPURIOUS EMISSION

8.1 DESCRIPTION OF RADIATED SPURIOUS EMISSION

8.1.1 MEASUREMENT METHOD

The radiated spurious emission was measured by substitution method according to ANSI C63.26 2015. The power of any emission outside of the authorized operating frequency ranges must be attenuated below the transmitter power (P) by a factor of at least $43 + 10 \log (P)$ dB.

For Band 7 The power of any emission outside of the authorized operating frequency ranges must be attenuated below the transmitter power (P) by a factor of at least $55 + 10 \log (P)$ dB. The spectrum is scanned from 30 MHz up to a frequency including its 10th harmonic.

8.1.2 TEST SETUP

The procedure of radiated spurious emissions is as follows:

a) Pre-calibration With pre-calibration method, the Radiated Spurious Emissions(RSE) is calculated as, $RSE = Rx (dBuV) + CL (dB) + SA (dB) + Gain (dBi) - 107 (dBuV \text{ to } dBm)$ The SA is calibrated using following setup.

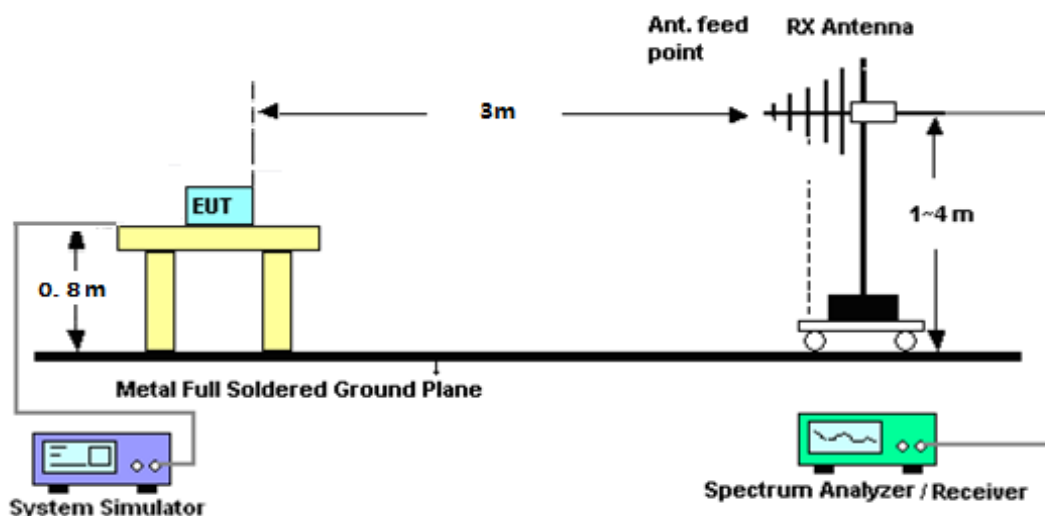
b) EUT was placed on 1.5 m non-conductive stand at a 3 m test distance from the receive antenna. A receiving antenna was placed on the antenna mast 3 m from the test item for emission measurements. The height of receiving antenna is 0.8m. The test setup refers to figure below. Detected emissions were maximized at each frequency by rotating the test item and adjusting the receiving antenna polarization. The radiated emission measurements of all non-harmonic and harmonics of the transmit frequency through the 10th harmonic measured with peak detector and 1MHz bandwidth.

Radiated emissions measurements were made only at the upper, middle, and lower carrier frequencies It was decided that measurements at these three carrier frequencies would be sufficient to demonstrate compliance with emissions limits because it was seen that all the significant spurs occur well outside the band and no radiation was seen from a carrier in one block of any band into any of the other blocks.

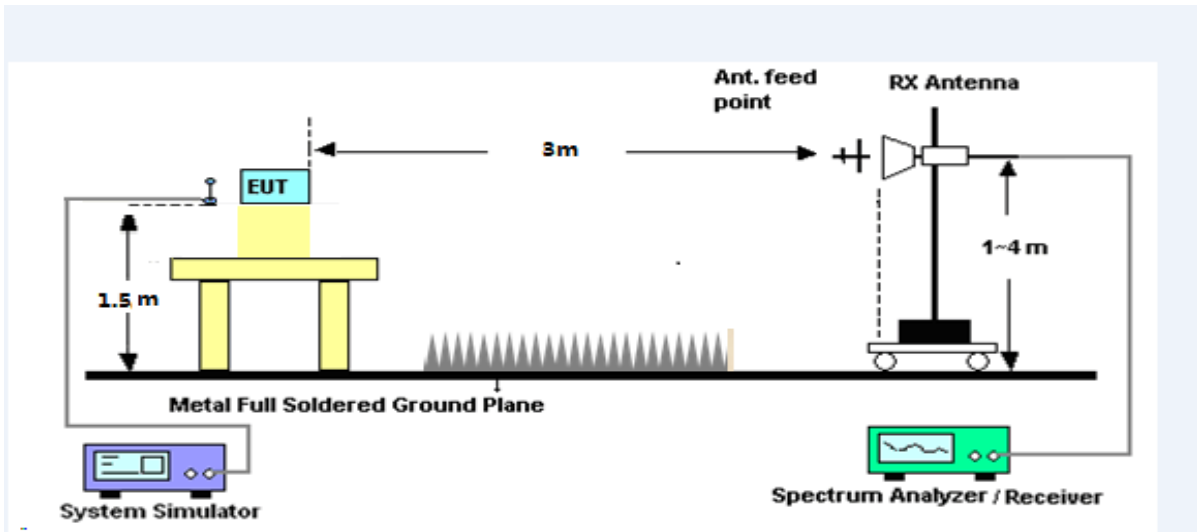
The substitution method is used. Substitution values at each frequency are measured before and saved to the test software. A "reference path loss" is established and the ARpl is the attenuation of "reference path loss", and including the gain of receive antenna, the gain of the preamplifier, the cable loss and the air loss. The measurement results are obtained as described below:

$$\text{Power} = \text{PMea} + \text{ARpl}$$

For radiated test from 30MHz to 1GHz



For radiated test from above 1GHz



8.1.3 TEST PROCEDURES

1. The testing FCC KDB 971168 D01 Section 7 and ANSI C63.26 2015 Section 5.5.
2. The EUT was placed on a rotatable wooden table with 1.5 meter above ground.
3. The EUT was set 3 meters from the receiving antenna, which was mounted on the antenna tower.
4. The table was rotated 360 degrees to determine the position of the highest spurious emission.
5. The height of the receiving antenna is varied between one meter and four meters to search the maximum spurious emission for both horizontal and vertical polarizations
6. Make the measurement with the spectrum analyzer's RBW = 1MHz, VBW = 3MHz, taking the record of maximum spurious emission.
7. A horn antenna was substituted in place of the EUT and was driven by a signal generator.
8. Tune the output power of signal generator to the same emission level with EUT maximum spurious emission.
9. Taking the record of output power at antenna port.
10. Repeat step 7 to step 8 for another polarization.
11. The RF fundamental frequency should be excluded against the limit line in the operating frequency band.

The limit line is derived from $43 + 10\log(P)$ dB below the transmitter power P(Watts)
 $= P(W) - [43 + 10\log(P)]$ (dB)
 $= [30 + 10\log(P)]$ (dBm) - $[43 + 10\log(P)]$ (dB)
 $= -13$ dBm

For Band 7:

The limit line is derived from $55 + 10\log(P)$ dB below the transmitter power P(Watts)
 $= [30 + 10\log(P)]$ (dBm) - $[55 + 10\log(P)]$ (dB)
 $= -25$ dBm

$P_{Mea} = S.G \text{ Level} + \text{Ant-Cable loss}; \text{Margin} = P_{Mea} - \text{Limit.}$



8.1.4 TEST RESULTS

LTE Band 2 / 1.4MHz / QPSK / RB Size 1 Offset 0/ The Worst Test Results for Lowest							
Frequency(MHz)	S G.Lev (dBm)	Ant(dBi)	Loss	PMea	Limit	Margin	Polarity
				(dBm)	(dBm)	(dBm)	
3701.25	-33.45	12.60	12.93	-33.78	-13.00	-20.78	H
5551.88	-35.49	13.10	17.11	-39.50	-13.00	-26.50	H
7402.77	-32.19	11.50	22.20	-42.89	-13.00	-29.89	H
3701.25	-35.97	12.60	12.93	-36.30	-13.00	-23.30	V
5551.88	-34.47	13.10	17.11	-38.48	-13.00	-25.48	V
7402.77	-32.54	11.50	22.20	-43.24	-13.00	-30.24	V
LTE Band 2 / 1.4MHz / QPSK / RB Size 1 Offset 0/ The Worst Test Results for Middle							
Frequency(MHz)	S G.Lev (dBm)	Ant(dBi)	Loss	PMea	Limit	Margin	Polarity
				(dBm)	(dBm)	(dBm)	
3759.80	-34.71	12.60	12.93	-35.04	-13.00	-22.04	H
5639.91	-34.31	13.10	17.11	-38.32	-13.00	-25.32	H
7519.86	-33.03	11.50	22.20	-43.73	-13.00	-30.73	H
3759.80	-35.25	12.60	12.93	-35.58	-13.00	-22.58	V
5639.91	-33.93	13.10	17.11	-37.94	-13.00	-24.94	V
7519.86	-33.16	11.50	22.20	-43.86	-13.00	-30.86	V
LTE Band 2 / 1.4MHz / QPSK / RB Size 1 Offset 0/ The Worst Test Results for Highest							
Frequency(MHz)	S G.Lev (dBm)	Ant(dBi)	Loss	PMea	Limit	Margin	Polarity
				(dBm)	(dBm)	(dBm)	
3818.16	-34.84	12.60	12.93	-35.17	-13.00	-22.17	H
5727.91	-34.88	13.10	17.11	-38.89	-13.00	-25.89	H
7636.77	-33.43	11.50	22.20	-44.13	-13.00	-31.13	H
3818.16	-35.64	12.60	12.93	-35.97	-13.00	-22.97	V
5727.91	-34.06	13.10	17.11	-38.07	-13.00	-25.07	V
7636.77	-32.99	11.50	22.20	-43.69	-13.00	-30.69	V



LTE Band 2 / 3MHz / QPSK / RB Size 1 Offset 0/ The Worst Test Results for Lowest							
Frequency(MHz)	S G.Lev (dBm)	Ant(dBi)	Loss	PMea	Limit	Margin	Polarity
				(dBm)	(dBm)	(dBm)	
3702.87	-33.91	12.60	12.93	-34.24	-13.00	-21.24	H
5554.48	-34.36	13.10	17.11	-38.37	-13.00	-25.37	H
7405.97	-32.99	11.50	22.20	-43.69	-13.00	-30.69	H
3702.87	-35.41	12.60	12.93	-35.74	-13.00	-22.74	V
5554.48	-34.11	13.10	17.11	-38.12	-13.00	-25.12	V
7405.97	-32.40	11.50	22.20	-43.10	-13.00	-30.10	V
LTE Band 2 / 3MHz / QPSK / RB Size 1 Offset 0/ The Worst Test Results for Middle							
Frequency(MHz)	S G.Lev (dBm)	Ant(dBi)	Loss	PMea	Limit	Margin	Polarity
				(dBm)	(dBm)	(dBm)	
3760.22	-34.76	12.60	12.93	-35.09	-13.00	-22.09	H
5640.21	-34.26	13.10	17.11	-38.27	-13.00	-25.27	H
7519.83	-32.41	11.50	22.20	-43.11	-13.00	-30.11	H
3760.22	-34.78	12.60	12.93	-35.11	-13.00	-22.11	V
5640.21	-34.22	13.10	17.11	-38.23	-13.00	-25.23	V
7519.83	-32.23	11.50	22.20	-42.93	-13.00	-29.93	V
LTE Band 2 / 3MHz / QPSK / RB Size 1 Offset 0/ The Worst Test Results for Highest							
Frequency(MHz)	S G.Lev (dBm)	Ant(dBi)	Loss	PMea	Limit	Margin	Polarity
				(dBm)	(dBm)	(dBm)	
3817.05	-33.67	12.60	12.93	-34.00	-13.00	-21.00	H
5725.59	-35.07	13.10	17.11	-39.08	-13.00	-26.08	H
7633.94	-33.65	11.50	22.20	-44.35	-13.00	-31.35	H
3817.05	-35.13	12.60	12.93	-35.46	-13.00	-22.46	V
5725.59	-34.74	13.10	17.11	-38.75	-13.00	-25.75	V
7633.94	-32.77	11.50	22.20	-43.47	-13.00	-30.47	V



LTE Band 2 / 5MHz / QPSK / RB Size 1 Offset 0/ The Worst Test Results for Lowest							
Frequency(MHz)	S G.Lev (dBm)	Ant(dBi)	Loss	PMea	Limit	Margin	Polarity
				(dBm)	(dBm)	(dBm)	
3705.21	-33.54	12.60	12.93	-33.87	-13.00	-20.87	H
5557.31	-34.63	13.10	17.11	-38.64	-13.00	-25.64	H
7410.10	-33.08	11.50	22.20	-43.78	-13.00	-30.78	H
3705.21	-35.18	12.60	12.93	-35.51	-13.00	-22.51	V
5557.31	-34.19	13.10	17.11	-38.20	-13.00	-25.20	V
7410.10	-32.97	11.50	22.20	-43.67	-13.00	-30.67	V
LTE Band 2 / 5MHz / QPSK / RB Size 1 Offset 0/ The Worst Test Results for Middle							
Frequency(MHz)	S G.Lev (dBm)	Ant(dBi)	Loss	PMea	Limit	Margin	Polarity
				(dBm)	(dBm)	(dBm)	
3760.18	-34.59	12.60	12.93	-34.92	-13.00	-21.92	H
5640.23	-34.49	13.10	17.11	-38.50	-13.00	-25.50	H
7520.29	-32.81	11.50	22.20	-43.51	-13.00	-30.51	H
3760.18	-34.93	12.60	12.93	-35.26	-13.00	-22.26	V
5640.23	-34.23	13.10	17.11	-38.24	-13.00	-25.24	V
7520.29	-32.14	11.50	22.20	-42.84	-13.00	-29.84	V
LTE Band 2 / 5MHz / QPSK / RB Size 1 Offset 0/ The Worst Test Results for Highest							
Frequency(MHz)	S G.Lev (dBm)	Ant(dBi)	Loss	PMea	Limit	Margin	Polarity
				(dBm)	(dBm)	(dBm)	
3815.10	-33.46	12.60	12.93	-33.79	-13.00	-20.79	H
5722.40	-35.28	13.10	17.11	-39.29	-13.00	-26.29	H
7630.00	-33.54	11.50	22.20	-44.24	-13.00	-31.24	H
3815.10	-35.75	12.60	12.93	-36.08	-13.00	-23.08	V
5722.40	-34.89	13.10	17.11	-38.90	-13.00	-25.90	V
7630.00	-31.76	11.50	22.20	-42.46	-13.00	-29.46	V



LTE Band 2 / 10MHz / QPSK / RB Size 1 Offset 0/ The Worst Test Results for Lowest							
Frequency(MHz)	S G.Lev (dBm)	Ant(dBi)	Loss	PMea	Limit	Margin	Polarity
				(dBm)	(dBm)	(dBm)	
3710.41	-33.93	12.60	12.93	-34.26	-13.00	-21.26	H
5565.07	-34.38	13.10	17.11	-38.39	-13.00	-25.39	H
7419.97	-32.37	11.50	22.20	-43.07	-13.00	-30.07	H
3710.41	-35.79	12.60	12.93	-36.12	-13.00	-23.12	V
5565.07	-34.53	13.10	17.11	-38.54	-13.00	-25.54	V
7419.97	-33.13	11.50	22.20	-43.83	-13.00	-30.83	V
LTE Band 2 / 10MHz / QPSK / RB Size 1 Offset 0/ The Worst Test Results for Middle							
Frequency(MHz)	S G.Lev (dBm)	Ant(dBi)	Loss	PMea	Limit	Margin	Polarity
				(dBm)	(dBm)	(dBm)	
3760.12	-33.88	12.60	12.93	-34.21	-13.00	-21.21	H
5639.80	-34.41	13.10	17.11	-38.42	-13.00	-25.42	H
7520.19	-32.95	11.50	22.20	-43.65	-13.00	-30.65	H
3760.12	-34.70	12.60	12.93	-35.03	-13.00	-22.03	V
5639.80	-35.24	13.10	17.11	-39.25	-13.00	-26.25	V
7520.19	-32.17	11.50	22.20	-42.87	-13.00	-29.87	V
LTE Band 2 / 10MHz / QPSK / RB Size 1 Offset 0/ The Worst Test Results for Highest							
Frequency(MHz)	S G.Lev (dBm)	Ant(dBi)	Loss	PMea	Limit	Margin	Polarity
				(dBm)	(dBm)	(dBm)	
3810.11	-34.00	12.60	12.93	-34.33	-13.00	-21.33	H
5714.76	-34.74	13.10	17.11	-38.75	-13.00	-25.75	H
7620.25	-32.72	11.50	22.20	-43.42	-13.00	-30.42	H
3810.11	-35.02	12.60	12.93	-35.35	-13.00	-22.35	V
5714.76	-34.31	13.10	17.11	-38.32	-13.00	-25.32	V
7620.25	-31.78	11.50	22.20	-42.48	-13.00	-29.48	V



LTE Band 2 / 15MHz / QPSK / RB Size 1 Offset 0/ The Worst Test Results for Lowest							
Frequency(MHz)	S G.Lev (dBm)	Ant(dBi)	Loss	PMea	Limit	Margin	Polarity
				(dBm)	(dBm)	(dBm)	
3715.25	-34.17	12.60	12.93	-34.50	-13.00	-21.50	H
5572.14	-34.91	13.10	17.11	-38.92	-13.00	-25.92	H
7430.45	-33.53	11.50	22.20	-44.23	-13.00	-31.23	H
3715.25	-35.38	12.60	12.93	-35.71	-13.00	-22.71	V
5572.14	-33.96	13.10	17.11	-37.97	-13.00	-24.97	V
7430.45	-31.92	11.50	22.20	-42.62	-13.00	-29.62	V
LTE Band 2 / 15MHz / QPSK / RB Size 1 Offset 0/ The Worst Test Results for Middle							
Frequency(MHz)	S G.Lev (dBm)	Ant(dBi)	Loss	PMea	Limit	Margin	Polarity
				(dBm)	(dBm)	(dBm)	
3759.90	-34.64	12.60	12.93	-34.97	-13.00	-21.97	H
5640.01	-34.85	13.10	17.11	-38.86	-13.00	-25.86	H
7520.08	-32.32	11.50	22.20	-43.02	-13.00	-30.02	H
3759.90	-34.92	12.60	12.93	-35.25	-13.00	-22.25	V
5640.01	-34.37	13.10	17.11	-38.38	-13.00	-25.38	V
7520.08	-31.93	11.50	22.20	-42.63	-13.00	-29.63	V
LTE Band 2 / 15MHz / QPSK / RB Size 1 Offset 0/ The Worst Test Results for Highest							
Frequency(MHz)	S G.Lev (dBm)	Ant(dBi)	Loss	PMea	Limit	Margin	Polarity
				(dBm)	(dBm)	(dBm)	
3805.03	-33.81	12.60	12.93	-34.14	-13.00	-21.14	H
5707.65	-34.49	13.10	17.11	-38.50	-13.00	-25.50	H
7610.10	-33.16	11.50	22.20	-43.86	-13.00	-30.86	H
3805.03	-35.25	12.60	12.93	-35.58	-13.00	-22.58	V
5707.65	-34.80	13.10	17.11	-38.81	-13.00	-25.81	V
7610.10	-32.59	11.50	22.20	-43.29	-13.00	-30.29	V



LTE Band 2 / 20MHz / QPSK / RB Size 1 Offset 0/ The Worst Test Results for Lowest							
Frequency(MHz)	S G.Lev (dBm)	Ant(dBi)	Loss	PMea	Limit	Margin	Polarity
				(dBm)	(dBm)	(dBm)	
3720.01	-33.91	12.60	12.93	-34.24	-13.00	-21.24	H
5580.48	-35.05	13.10	17.11	-39.06	-13.00	-26.06	H
7439.93	-33.52	11.50	22.20	-44.22	-13.00	-31.22	H
3720.01	-34.77	12.60	12.93	-35.10	-13.00	-22.10	V
5580.48	-34.35	13.10	17.11	-38.36	-13.00	-25.36	V
7439.93	-31.88	11.50	22.20	-42.58	-13.00	-29.58	V
LTE Band 2 / 20MHz / QPSK / RB Size 1 Offset 0/ The Worst Test Results for Middle							
Frequency(MHz)	S G.Lev (dBm)	Ant(dBi)	Loss	PMea	Limit	Margin	Polarity
				(dBm)	(dBm)	(dBm)	
3760.20	-33.62	12.60	12.93	-33.95	-13.00	-20.95	H
5640.22	-34.97	13.10	17.11	-38.98	-13.00	-25.98	H
7519.91	-32.71	11.50	22.20	-43.41	-13.00	-30.41	H
3760.20	-35.48	12.60	12.93	-35.81	-13.00	-22.81	V
5640.22	-34.16	13.10	17.11	-38.17	-13.00	-25.17	V
7519.91	-32.05	11.50	22.20	-42.75	-13.00	-29.75	V
LTE Band 2 / 20MHz / QPSK / RB Size 1 Offset 0/ The Worst Test Results for Highest							
Frequency(MHz)	S G.Lev (dBm)	Ant(dBi)	Loss	PMea	Limit	Margin	Polarity
				(dBm)	(dBm)	(dBm)	
3799.73	-33.91	12.60	12.93	-34.24	-13.00	-21.24	H
5699.86	-35.27	13.10	17.11	-39.28	-13.00	-26.28	H
7600.13	-33.19	11.50	22.20	-43.89	-13.00	-30.89	H
3799.73	-35.27	12.60	12.93	-35.60	-13.00	-22.60	V
5699.86	-35.08	13.10	17.11	-39.09	-13.00	-26.09	V
7600.13	-32.74	11.50	22.20	-43.44	-13.00	-30.44	V



LTE Band 4 / 1.4MHz / QPSK / RB Size 1 Offset 0/ The Worst Test Results for Lowest							
Frequency(MHz)	S G.Lev (dBm)	Ant(dBi)	Loss	PMea	Limit	Margin	Polarity
				(dBm)	(dBm)	(dBm)	
3420.98	-34.93	12.90	12.56	-34.59	-13.00	-21.59	H
5132.07	-34.23	13.10	16.32	-37.45	-13.00	-24.45	H
6842.52	-33.21	12.33	21.13	-42.01	-13.00	-29.01	H
3420.98	-34.83	12.90	12.56	-34.49	-13.00	-21.49	V
5132.07	-34.60	13.10	16.32	-37.82	-13.00	-24.82	V
6842.52	-32.20	12.33	21.13	-41.00	-13.00	-28.00	V
LTE Band 4 / 1.4MHz / QPSK / RB Size 1 Offset 0/ The Worst Test Results for Middle							
Frequency(MHz)	S G.Lev (dBm)	Ant(dBi)	Loss	PMea	Limit	Margin	Polarity
				(dBm)	(dBm)	(dBm)	
3464.64	-34.04	12.90	12.56	-33.70	-13.00	-20.70	H
5196.95	-34.46	13.10	16.32	-37.68	-13.00	-24.68	H
6929.81	-33.35	12.33	21.13	-42.15	-13.00	-29.15	H
3464.64	-34.82	12.90	12.56	-34.48	-13.00	-21.48	V
5196.95	-34.49	13.10	16.32	-37.71	-13.00	-24.71	V
6929.81	-32.27	12.33	21.13	-41.07	-13.00	-28.07	V
LTE Band 4 / 1.4MHz / QPSK / RB Size 1 Offset 0/ The Worst Test Results for Highest							
Frequency(MHz)	S G.Lev (dBm)	Ant(dBi)	Loss	PMea	Limit	Margin	Polarity
				(dBm)	(dBm)	(dBm)	
3508.18	-34.04	12.90	12.56	-33.70	-13.00	-20.70	H
5262.51	-34.79	13.10	16.32	-38.01	-13.00	-25.01	H
7015.56	-32.61	12.33	21.13	-41.41	-13.00	-28.41	H
3508.18	-35.17	12.90	12.56	-34.83	-13.00	-21.83	V
5262.51	-33.82	13.10	16.32	-37.04	-13.00	-24.04	V
7015.56	-32.95	12.33	21.13	-41.75	-13.00	-28.75	V



LTE Band 4 / 3MHz / QPSK / RB Size 1 Offset 0/ The Worst Test Results for Lowest							
Frequency(MHz)	S G.Lev (dBm)	Ant(dBi)	Loss	PMea	Limit	Margin	Polarity
				(dBm)	(dBm)	(dBm)	
3423.77	-34.11	12.90	12.56	-33.77	-13.00	-20.77	H
5136.06	-35.41	13.10	16.32	-38.63	-13.00	-25.63	H
6848.72	-32.51	12.33	21.13	-41.31	-13.00	-28.31	H
3423.77	-34.55	12.90	12.56	-34.21	-13.00	-21.21	V
5136.06	-34.74	13.10	16.32	-37.96	-13.00	-24.96	V
6848.72	-33.13	12.33	21.13	-41.93	-13.00	-28.93	V
LTE Band 4 / 3MHz / QPSK / RB Size 1 Offset 0/ The Worst Test Results for Middle							
Frequency(MHz)	S G.Lev (dBm)	Ant(dBi)	Loss	PMea	Limit	Margin	Polarity
				(dBm)	(dBm)	(dBm)	
3464.54	-34.17	12.90	12.56	-33.83	-13.00	-20.83	H
5197.02	-35.29	13.10	16.32	-38.51	-13.00	-25.51	H
6929.93	-33.57	12.33	21.13	-42.37	-13.00	-29.37	H
3464.54	-35.80	12.90	12.56	-35.46	-13.00	-22.46	V
5197.02	-33.90	13.10	16.32	-37.12	-13.00	-24.12	V
6929.93	-32.21	12.33	21.13	-41.01	-13.00	-28.01	V
LTE Band 4 / 3MHz / QPSK / RB Size 1 Offset 0/ The Worst Test Results for Highest							
Frequency(MHz)	S G.Lev (dBm)	Ant(dBi)	Loss	PMea	Limit	Margin	Polarity
				(dBm)	(dBm)	(dBm)	
3505.94	-34.25	12.90	12.56	-33.91	-13.00	-20.91	H
5261.67	-35.48	13.10	16.32	-38.70	-13.00	-25.70	H
7012.80	-33.42	12.33	21.13	-42.22	-13.00	-29.22	H
3505.94	-34.78	12.90	12.56	-34.44	-13.00	-21.44	V
5261.67	-34.02	13.10	16.32	-37.24	-13.00	-24.24	V
7012.80	-33.08	12.33	21.13	-41.88	-13.00	-28.88	V



LTE Band 4 / 5MHz / QPSK / RB Size 1 Offset 0/ The Worst Test Results for Lowest							
Frequency(MHz)	S G.Lev (dBm)	Ant(dBi)	Loss	PMea	Limit	Margin	Polarity
				(dBm)	(dBm)	(dBm)	
3424.81	-33.55	12.90	12.56	-33.21	-13.00	-20.21	H
5136.84	-34.33	13.10	16.32	-37.55	-13.00	-24.55	H
6849.58	-32.88	12.33	21.13	-41.68	-13.00	-28.68	H
3424.81	-35.50	12.90	12.56	-35.16	-13.00	-22.16	V
5136.84	-33.90	13.10	16.32	-37.12	-13.00	-24.12	V
6849.58	-32.90	12.33	21.13	-41.70	-13.00	-28.70	V
LTE Band 4 / 5MHz / QPSK / RB Size 1 Offset 0/ The Worst Test Results for Middle							
Frequency(MHz)	S G.Lev (dBm)	Ant(dBi)	Loss	PMea	Limit	Margin	Polarity
				(dBm)	(dBm)	(dBm)	
3464.42	-34.12	12.90	12.56	-33.78	-13.00	-20.78	H
5196.81	-34.63	13.10	16.32	-37.85	-13.00	-24.85	H
6929.91	-32.69	12.33	21.13	-41.49	-13.00	-28.49	H
3464.42	-35.41	12.90	12.56	-35.07	-13.00	-22.07	V
5196.81	-35.09	13.10	16.32	-38.31	-13.00	-25.31	V
6929.91	-32.21	12.33	21.13	-41.01	-13.00	-28.01	V
LTE Band 4 / 5MHz / QPSK / RB Size 1 Offset 0/ The Worst Test Results for Highest							
Frequency(MHz)	S G.Lev (dBm)	Ant(dBi)	Loss	PMea	Limit	Margin	Polarity
				(dBm)	(dBm)	(dBm)	
3505.33	-34.78	12.90	12.56	-34.44	-13.00	-21.44	H
5257.09	-34.64	13.10	16.32	-37.86	-13.00	-24.86	H
7009.89	-32.63	12.33	21.13	-41.43	-13.00	-28.43	H
3505.33	-35.95	12.90	12.56	-35.61	-13.00	-22.61	V
5257.09	-34.84	13.10	16.32	-38.06	-13.00	-25.06	V
7009.89	-32.35	12.33	21.13	-41.15	-13.00	-28.15	V



LTE Band 4 / 10MHz / QPSK / RB Size 1 Offset 0/ The Worst Test Results for Lowest							
Frequency(MHz)	S G.Lev (dBm)	Ant(dBi)	Loss	PMea	Limit	Margin	Polarity
				(dBm)	(dBm)	(dBm)	
3430.11	-34.58	12.90	12.56	-34.24	-13.00	-21.24	H
5145.30	-35.41	13.10	16.32	-38.63	-13.00	-25.63	H
6860.44	-33.20	12.33	21.13	-42.00	-13.00	-29.00	H
3430.11	-35.52	12.90	12.56	-35.18	-13.00	-22.18	V
5145.30	-35.19	13.10	16.32	-38.41	-13.00	-25.41	V
6860.44	-32.88	12.33	21.13	-41.68	-13.00	-28.68	V
LTE Band 4 / 10MHz / QPSK / RB Size 1 Offset 0/ The Worst Test Results for Middle							
Frequency(MHz)	S G.Lev (dBm)	Ant(dBi)	Loss	PMea	Limit	Margin	Polarity
				(dBm)	(dBm)	(dBm)	
3464.81	-33.58	12.90	12.56	-33.24	-13.00	-20.24	H
5196.78	-34.69	13.10	16.32	-37.91	-13.00	-24.91	H
6929.39	-33.63	12.33	21.13	-42.43	-13.00	-29.43	H
3464.81	-35.50	12.90	12.56	-35.16	-13.00	-22.16	V
5196.78	-35.24	13.10	16.32	-38.46	-13.00	-25.46	V
6929.39	-32.49	12.33	21.13	-41.29	-13.00	-28.29	V
LTE Band 4 / 10MHz / QPSK / RB Size 1 Offset 0/ The Worst Test Results for Highest							
Frequency(MHz)	S G.Lev (dBm)	Ant(dBi)	Loss	PMea	Limit	Margin	Polarity
				(dBm)	(dBm)	(dBm)	
3500.21	-34.89	12.90	12.56	-34.55	-13.00	-21.55	H
5250.12	-35.35	13.10	16.32	-38.57	-13.00	-25.57	H
6999.89	-33.24	12.33	21.13	-42.04	-13.00	-29.04	H
3500.21	-34.82	12.90	12.56	-34.48	-13.00	-21.48	V
5250.12	-35.21	13.10	16.32	-38.43	-13.00	-25.43	V
6999.89	-32.42	12.33	21.13	-41.22	-13.00	-28.22	V



LTE Band 4 / 15MHz / QPSK / RB Size 1 Offset 0/ The Worst Test Results for Lowest							
Frequency(MHz)	S G.Lev (dBm)	Ant(dBi)	Loss	PMea	Limit	Margin	Polarity
				(dBm)	(dBm)	(dBm)	
3434.91	-34.01	12.90	12.56	-33.67	-13.00	-20.67	H
5152.29	-34.53	13.10	16.32	-37.75	-13.00	-24.75	H
6870.69	-33.30	12.33	21.13	-42.10	-13.00	-29.10	H
3434.91	-35.09	12.90	12.56	-34.75	-13.00	-21.75	V
5152.29	-34.21	13.10	16.32	-37.43	-13.00	-24.43	V
6870.69	-32.09	12.33	21.13	-40.89	-13.00	-27.89	V
LTE Band 4 / 15MHz / QPSK / RB Size 1 Offset 0/ The Worst Test Results for Middle							
Frequency(MHz)	S G.Lev (dBm)	Ant(dBi)	Loss	PMea	Limit	Margin	Polarity
				(dBm)	(dBm)	(dBm)	
3464.96	-34.52	12.90	12.56	-34.18	-13.00	-21.18	H
5196.58	-34.49	13.10	16.32	-37.71	-13.00	-24.71	H
6929.72	-33.53	12.33	21.13	-42.33	-13.00	-29.33	H
3464.96	-34.79	12.90	12.56	-34.45	-13.00	-21.45	V
5196.58	-34.29	13.10	16.32	-37.51	-13.00	-24.51	V
6929.72	-31.88	12.33	21.13	-40.68	-13.00	-27.68	V
LTE Band 4 / 15MHz / QPSK / RB Size 1 Offset 0/ The Worst Test Results for Highest							
Frequency(MHz)	S G.Lev (dBm)	Ant(dBi)	Loss	PMea	Limit	Margin	Polarity
				(dBm)	(dBm)	(dBm)	
3495.08	-33.80	12.90	12.56	-33.46	-13.00	-20.46	H
5242.18	-35.13	13.10	16.32	-38.35	-13.00	-25.35	H
6990.37	-33.41	12.33	21.13	-42.21	-13.00	-29.21	H
3495.08	-35.90	12.90	12.56	-35.56	-13.00	-22.56	V
5242.18	-34.00	13.10	16.32	-37.22	-13.00	-24.22	V
6990.37	-32.13	12.33	21.13	-40.93	-13.00	-27.93	V



LTE Band 4 / 20MHz / QPSK / RB Size 1 Offset 0/ The Worst Test Results for Lowest							
Frequency(MHz)	S G.Lev (dBm)	Ant(dBi)	Loss	PMea	Limit	Margin	Polarity
				(dBm)	(dBm)	(dBm)	
3440.29	-34.09	12.90	12.56	-33.75	-13.00	-20.75	H
5160.01	-35.06	13.10	16.32	-38.28	-13.00	-25.28	H
6880.79	-33.64	12.33	21.13	-42.44	-13.00	-29.44	H
3440.29	-34.72	12.90	12.56	-34.38	-13.00	-21.38	V
5160.01	-33.83	13.10	16.32	-37.05	-13.00	-24.05	V
6880.79	-33.20	12.33	21.13	-42.00	-13.00	-29.00	V
LTE Band 4 / 20MHz / QPSK / RB Size 1 Offset 0/ The Worst Test Results for Middle							
Frequency(MHz)	S G.Lev (dBm)	Ant(dBi)	Loss	PMea	Limit	Margin	Polarity
				(dBm)	(dBm)	(dBm)	
3464.70	-33.59	12.90	12.56	-33.25	-13.00	-20.25	H
5196.34	-34.97	13.10	16.32	-38.19	-13.00	-25.19	H
6929.60	-32.85	12.33	21.13	-41.65	-13.00	-28.65	H
3464.70	-34.92	12.90	12.56	-34.58	-13.00	-21.58	V
5196.34	-34.43	13.10	16.32	-37.65	-13.00	-24.65	V
6929.60	-32.52	12.33	21.13	-41.32	-13.00	-28.32	V
LTE Band 4 / 20MHz / QPSK / RB Size 1 Offset 0/ The Worst Test Results for Highest							
Frequency(MHz)	S G.Lev (dBm)	Ant(dBi)	Loss	PMea	Limit	Margin	Polarity
				(dBm)	(dBm)	(dBm)	
3490.27	-33.61	12.90	12.56	-33.27	-13.00	-20.27	H
5235.34	-34.21	13.10	16.32	-37.43	-13.00	-24.43	H
6979.61	-33.38	12.33	21.13	-42.18	-13.00	-29.18	H
3490.27	-34.79	12.90	12.56	-34.45	-13.00	-21.45	V
5235.34	-35.22	13.10	16.32	-38.44	-13.00	-25.44	V
6979.61	-32.87	12.33	21.13	-41.67	-13.00	-28.67	V



LTE Band 5 / 1.4MHz / QPSK / RB Size 1 Offset 0/ The Worst Test Results for Lowest							
Frequency(MHz)	S G.Lev (dBm)	Ant(dBi)	Loss	PMea	Limit	Margin	Polarity
				(dBm)	(dBm)	(dBm)	
1648.55	-33.92	9.56	9.72	-34.08	-13.00	-21.08	H
2473.76	-34.54	10.50	10.86	-34.90	-13.00	-21.90	H
3298.31	-32.63	12.78	11.57	-31.42	-13.00	-18.42	H
1648.55	-34.66	9.56	9.72	-34.82	-13.00	-21.82	V
2473.76	-35.21	10.50	10.86	-35.57	-13.00	-22.57	V
3298.31	-32.09	12.78	11.57	-30.88	-13.00	-17.88	V
LTE Band 5 / 1.4MHz / QPSK / RB Size 1 Offset 0/ The Worst Test Results for Middle							
Frequency(MHz)	S G.Lev (dBm)	Ant(dBi)	Loss	PMea	Limit	Margin	Polarity
				(dBm)	(dBm)	(dBm)	
1672.78	-33.50	9.56	9.72	-33.66	-13.00	-20.66	H
2509.23	-35.06	10.50	10.86	-35.42	-13.00	-22.42	H
3345.56	-32.76	12.78	11.57	-31.55	-13.00	-18.55	H
1672.78	-35.49	9.56	9.72	-35.65	-13.00	-22.65	V
2509.23	-34.12	10.50	10.86	-34.48	-13.00	-21.48	V
3345.56	-32.27	12.78	11.57	-31.06	-13.00	-18.06	V
LTE Band 5 / 1.4MHz / QPSK / RB Size 1 Offset 0/ The Worst Test Results for Highest							
Frequency(MHz)	S G.Lev (dBm)	Ant(dBi)	Loss	PMea	Limit	Margin	Polarity
				(dBm)	(dBm)	(dBm)	
1696.03	-34.01	9.56	9.72	-34.17	-13.00	-21.17	H
2544.42	-35.24	10.50	10.86	-35.60	-13.00	-22.60	H
3392.98	-32.66	12.78	11.57	-31.45	-13.00	-18.45	H
1696.03	-35.86	9.56	9.72	-36.02	-13.00	-23.02	V
2544.42	-34.38	10.50	10.86	-34.74	-13.00	-21.74	V
3392.98	-33.17	12.78	11.57	-31.96	-13.00	-18.96	V



LTE Band 5 / 3MHz / QPSK / RB Size 1 Offset 0/ The Worst Test Results for Lowest							
Frequency(MHz)	S G.Lev (dBm)	Ant(dBi)	Loss	PMea	Limit	Margin	Polarity
				(dBm)	(dBm)	(dBm)	
1650.06	-34.53	9.56	9.72	-34.69	-13.00	-21.69	H
2475.97	-34.74	10.50	10.86	-35.10	-13.00	-22.10	H
3301.65	-33.51	12.78	11.57	-32.30	-13.00	-19.30	H
1650.06	-35.20	9.56	9.72	-35.36	-13.00	-22.36	V
2475.97	-33.91	10.50	10.86	-34.27	-13.00	-21.27	V
3301.65	-32.63	12.78	11.57	-31.42	-13.00	-18.42	V
LTE Band 5 / 3MHz / QPSK / RB Size 1 Offset 0/ The Worst Test Results for Middle							
Frequency(MHz)	S G.Lev (dBm)	Ant(dBi)	Loss	PMea	Limit	Margin	Polarity
				(dBm)	(dBm)	(dBm)	
1672.49	-34.08	9.56	9.72	-34.24	-13.00	-21.24	H
2508.94	-34.60	10.50	10.86	-34.96	-13.00	-21.96	H
3345.88	-33.40	12.78	11.57	-32.19	-13.00	-19.19	H
1672.49	-34.63	9.56	9.72	-34.79	-13.00	-21.79	V
2508.94	-34.24	10.50	10.86	-34.60	-13.00	-21.60	V
3345.88	-32.29	12.78	11.57	-31.08	-13.00	-18.08	V
LTE Band 5 / 3MHz / QPSK / RB Size 1 Offset 0/ The Worst Test Results for Highest							
Frequency(MHz)	S G.Lev (dBm)	Ant(dBi)	Loss	PMea	Limit	Margin	Polarity
				(dBm)	(dBm)	(dBm)	
1694.62	-34.76	9.56	9.72	-34.92	-13.00	-21.92	H
2542.01	-34.47	10.50	10.86	-34.83	-13.00	-21.83	H
3389.14	-32.78	12.78	11.57	-31.57	-13.00	-18.57	H
1694.62	-34.80	9.56	9.72	-34.96	-13.00	-21.96	V
2542.01	-34.05	10.50	10.86	-34.41	-13.00	-21.41	V
3389.14	-32.03	12.78	11.57	-30.82	-13.00	-17.82	V



LTE Band 5 / 5MHz / QPSK / RB Size 1 Offset 0/ The Worst Test Results for Lowest							
Frequency(MHz)	S G.Lev (dBm)	Ant(dBi)	Loss	PMea	Limit	Margin	Polarity
				(dBm)	(dBm)	(dBm)	
1652.68	-33.58	9.56	9.72	-33.74	-13.00	-20.74	H
2478.62	-34.13	10.50	10.86	-34.49	-13.00	-21.49	H
3305.57	-32.83	12.78	11.57	-31.62	-13.00	-18.62	H
1652.68	-34.77	9.56	9.72	-34.93	-13.00	-21.93	V
2478.62	-34.09	10.50	10.86	-34.45	-13.00	-21.45	V
3305.57	-32.90	12.78	11.57	-31.69	-13.00	-18.69	V
LTE Band 5 / 5MHz / QPSK / RB Size 1 Offset 0/ The Worst Test Results for Middle							
Frequency(MHz)	S G.Lev (dBm)	Ant(dBi)	Loss	PMea	Limit	Margin	Polarity
				(dBm)	(dBm)	(dBm)	
1672.23	-34.24	9.56	9.72	-34.40	-13.00	-21.40	H
2508.74	-35.43	10.50	10.86	-35.79	-13.00	-22.79	H
3345.24	-33.17	12.78	11.57	-31.96	-13.00	-18.96	H
1672.23	-34.54	9.56	9.72	-34.70	-13.00	-21.70	V
2508.74	-34.87	10.50	10.86	-35.23	-13.00	-22.23	V
3345.24	-32.11	12.78	11.57	-30.90	-13.00	-17.90	V
LTE Band 5 / 5MHz / QPSK / RB Size 1 Offset 0/ The Worst Test Results for Highest							
Frequency(MHz)	S G.Lev (dBm)	Ant(dBi)	Loss	PMea	Limit	Margin	Polarity
				(dBm)	(dBm)	(dBm)	
1692.18	-33.57	9.56	9.72	-33.73	-13.00	-20.73	H
2538.90	-34.72	10.50	10.86	-35.08	-13.00	-22.08	H
3385.90	-32.20	12.78	11.57	-30.99	-13.00	-17.99	H
1692.18	-34.61	9.56	9.72	-34.77	-13.00	-21.77	V
2538.90	-33.91	10.50	10.86	-34.27	-13.00	-21.27	V
3385.90	-31.98	12.78	11.57	-30.77	-13.00	-17.77	V



LTE Band 5 / 10MHz / QPSK / RB Size 1 Offset 0/ The Worst Test Results for Lowest							
Frequency(MHz)	S G.Lev (dBm)	Ant(dBi)	Loss	PMea	Limit	Margin	Polarity
				(dBm)	(dBm)	(dBm)	
1657.69	-34.80	9.56	9.72	-34.96	-13.00	-21.96	H
2486.54	-34.55	10.50	10.86	-34.91	-13.00	-21.91	H
3315.44	-32.79	12.78	11.57	-31.58	-13.00	-18.58	H
1657.69	-35.05	9.56	9.72	-35.21	-13.00	-22.21	V
2486.54	-35.05	10.50	10.86	-35.41	-13.00	-22.41	V
3315.44	-33.11	12.78	11.57	-31.90	-13.00	-18.90	V
LTE Band 5 / 10MHz / QPSK / RB Size 1 Offset 0/ The Worst Test Results for Middle							
Frequency(MHz)	S G.Lev (dBm)	Ant(dBi)	Loss	PMea	Limit	Margin	Polarity
				(dBm)	(dBm)	(dBm)	
1672.29	-34.36	9.56	9.72	-34.52	-13.00	-21.52	H
2509.07	-34.54	10.50	10.86	-34.90	-13.00	-21.90	H
3345.43	-32.29	12.78	11.57	-31.08	-13.00	-18.08	H
1672.29	-35.12	9.56	9.72	-35.28	-13.00	-22.28	V
2509.07	-33.90	10.50	10.86	-34.26	-13.00	-21.26	V
3345.43	-32.87	12.78	11.57	-31.66	-13.00	-18.66	V
LTE Band 5 / 10MHz / QPSK / RB Size 1 Offset 0/ The Worst Test Results for Highest							
Frequency(MHz)	S G.Lev (dBm)	Ant(dBi)	Loss	PMea	Limit	Margin	Polarity
				(dBm)	(dBm)	(dBm)	
1687.52	-33.53	9.56	9.72	-33.69	-13.00	-20.69	H
2531.44	-34.37	10.50	10.86	-34.73	-13.00	-21.73	H
3375.62	-32.37	12.78	11.57	-31.16	-13.00	-18.16	H
1687.52	-35.15	9.56	9.72	-35.31	-13.00	-22.31	V
2531.44	-35.08	10.50	10.86	-35.44	-13.00	-22.44	V
3375.62	-32.11	12.78	11.57	-30.90	-13.00	-17.90	V



LTE Band 12 / 1.4MHz / QPSK / RB Size 1 Offset 0/ The Worst Test Results for Lowest							
Frequency(MHz)	S G.Lev (dBm)	Ant(dBi)	Loss	PMea	Limit	Margin	Polarity
				(dBm)	(dBm)	(dBm)	
1399.35	-34.78	8.17	9.34	-35.95	-13.00	-22.95	H
2099.04	-34.46	9.53	10.42	-35.35	-13.00	-22.35	H
2798.46	-33.14	11.27	11.12	-32.99	-13.00	-19.99	H
1399.35	-34.78	8.17	9.34	-35.95	-13.00	-22.95	V
2099.04	-34.58	9.53	10.42	-35.47	-13.00	-22.47	V
2798.46	-32.04	11.27	11.12	-31.89	-13.00	-18.89	V
LTE Band 12 / 1.4MHz / QPSK / RB Size 1 Offset 0/ The Worst Test Results for Middle							
Frequency(MHz)	S G.Lev (dBm)	Ant(dBi)	Loss	PMea	Limit	Margin	Polarity
				(dBm)	(dBm)	(dBm)	
1414.80	-33.59	8.17	9.34	-34.76	-13.00	-21.76	H
2122.16	-34.00	9.53	10.42	-34.89	-13.00	-21.89	H
2829.86	-33.09	11.27	11.12	-32.94	-13.00	-19.94	H
1414.80	-35.37	8.17	9.34	-36.54	-13.00	-23.54	V
2122.16	-34.04	9.53	10.42	-34.93	-13.00	-21.93	V
2829.86	-31.82	11.27	11.12	-31.67	-13.00	-18.67	V
LTE Band 12 / 1.4MHz / QPSK / RB Size 1 Offset 0/ The Worst Test Results for Highest							
Frequency(MHz)	S G.Lev (dBm)	Ant(dBi)	Loss	PMea	Limit	Margin	Polarity
				(dBm)	(dBm)	(dBm)	
1430.47	-34.27	8.17	9.34	-35.44	-13.00	-22.44	H
2145.86	-34.62	9.53	10.42	-35.51	-13.00	-22.51	H
2861.15	-33.27	11.27	11.12	-33.12	-13.00	-20.12	H
1430.47	-35.81	8.17	9.34	-36.98	-13.00	-23.98	V
2145.86	-33.75	9.53	10.42	-34.64	-13.00	-21.64	V
2861.15	-32.49	11.27	11.12	-32.34	-13.00	-19.34	V



LTE Band 12 / 3MHz / QPSK / RB Size 1 Offset 0/ The Worst Test Results for Lowest							
Frequency(MHz)	S G.Lev (dBm)	Ant(dBi)	Loss	PMea	Limit	Margin	Polarity
				(dBm)	(dBm)	(dBm)	
1400.91	-34.93	8.17	9.34	-36.10	-13.00	-23.10	H
2101.46	-35.15	9.53	10.42	-36.04	-13.00	-23.04	H
2801.59	-32.49	11.27	11.12	-32.34	-13.00	-19.34	H
1400.91	-35.47	8.17	9.34	-36.64	-13.00	-23.64	V
2101.46	-34.59	9.53	10.42	-35.48	-13.00	-22.48	V
2801.59	-33.17	11.27	11.12	-33.02	-13.00	-20.02	V
LTE Band 12 / 3MHz / QPSK / RB Size 1 Offset 0/ The Worst Test Results for Middle							
Frequency(MHz)	S G.Lev (dBm)	Ant(dBi)	Loss	PMea	Limit	Margin	Polarity
				(dBm)	(dBm)	(dBm)	
1414.70	-34.21	8.17	9.34	-35.38	-13.00	-22.38	H
2122.15	-34.72	9.53	10.42	-35.61	-13.00	-22.61	H
2829.66	-32.76	11.27	11.12	-32.61	-13.00	-19.61	H
1414.70	-34.92	8.17	9.34	-36.09	-13.00	-23.09	V
2122.15	-34.52	9.53	10.42	-35.41	-13.00	-22.41	V
2829.66	-32.12	11.27	11.12	-31.97	-13.00	-18.97	V
LTE Band 12 / 3MHz / QPSK / RB Size 1 Offset 0/ The Worst Test Results for Highest							
Frequency(MHz)	S G.Lev (dBm)	Ant(dBi)	Loss	PMea	Limit	Margin	Polarity
				(dBm)	(dBm)	(dBm)	
1428.90	-33.84	8.17	9.34	-35.01	-13.00	-22.01	H
2143.03	-34.33	9.53	10.42	-35.22	-13.00	-22.22	H
2857.54	-32.17	11.27	11.12	-32.02	-13.00	-19.02	H
1428.90	-34.64	8.17	9.34	-35.81	-13.00	-22.81	V
2143.03	-34.64	9.53	10.42	-35.53	-13.00	-22.53	V
2857.54	-31.97	11.27	11.12	-31.82	-13.00	-18.82	V



LTE Band 12 / 5MHz / QPSK / RB Size 1 Offset 0/ The Worst Test Results for Lowest							
Frequency(MHz)	S G.Lev (dBm)	Ant(dBi)	Loss	PMea	Limit	Margin	Polarity
				(dBm)	(dBm)	(dBm)	
1402.50	-34.04	8.17	9.34	-35.21	-13.00	-22.21	H
2104.09	-34.20	9.53	10.42	-35.09	-13.00	-22.09	H
2805.58	-33.05	11.27	11.12	-32.90	-13.00	-19.90	H
1402.50	-34.70	8.17	9.34	-35.87	-13.00	-22.87	V
2104.09	-34.26	9.53	10.42	-35.15	-13.00	-22.15	V
2805.58	-32.22	11.27	11.12	-32.07	-13.00	-19.07	V
LTE Band 12 / 5MHz / QPSK / RB Size 1 Offset 0/ The Worst Test Results for Middle							
Frequency(MHz)	S G.Lev (dBm)	Ant(dBi)	Loss	PMea	Limit	Margin	Polarity
				(dBm)	(dBm)	(dBm)	
1414.88	-34.06	8.17	9.34	-35.23	-13.00	-22.23	H
2122.33	-34.21	9.53	10.42	-35.10	-13.00	-22.10	H
2829.52	-32.93	11.27	11.12	-32.78	-13.00	-19.78	H
1414.88	-35.15	8.17	9.34	-36.32	-13.00	-23.32	V
2122.33	-33.76	9.53	10.42	-34.65	-13.00	-21.65	V
2829.52	-31.77	11.27	11.12	-31.62	-13.00	-18.62	V
LTE Band 12 / 5MHz / QPSK / RB Size 1 Offset 0/ The Worst Test Results for Highest							
Frequency(MHz)	S G.Lev (dBm)	Ant(dBi)	Loss	PMea	Limit	Margin	Polarity
				(dBm)	(dBm)	(dBm)	
1426.62	-34.08	8.17	9.34	-35.25	-13.00	-22.25	H
2140.27	-34.45	9.53	10.42	-35.34	-13.00	-22.34	H
2853.93	-32.28	11.27	11.12	-32.13	-13.00	-19.13	H
1426.62	-34.92	8.17	9.34	-36.09	-13.00	-23.09	V
2140.27	-34.22	9.53	10.42	-35.11	-13.00	-22.11	V
2853.93	-32.72	11.27	11.12	-32.57	-13.00	-19.57	V



LTE Band 12 / 10MHz / QPSK / RB Size 1 Offset 0/ The Worst Test Results for Lowest							
Frequency(MHz)	S G.Lev (dBm)	Ant(dBi)	Loss	PMea	Limit	Margin	Polarity
				(dBm)	(dBm)	(dBm)	
1407.80	-34.33	8.17	9.34	-35.50	-13.00	-22.50	H
2111.51	-35.46	9.53	10.42	-36.35	-13.00	-23.35	H
2815.53	-33.12	11.27	11.12	-32.97	-13.00	-19.97	H
1407.80	-35.35	8.17	9.34	-36.52	-13.00	-23.52	V
2111.51	-34.61	9.53	10.42	-35.50	-13.00	-22.50	V
2815.53	-33.01	11.27	11.12	-32.86	-13.00	-19.86	V
LTE Band 12 / 10MHz / QPSK / RB Size 1 Offset 0/ The Worst Test Results for Middle							
Frequency(MHz)	S G.Lev (dBm)	Ant(dBi)	Loss	PMea	Limit	Margin	Polarity
				(dBm)	(dBm)	(dBm)	
1414.61	-34.24	8.17	9.34	-35.41	-13.00	-22.41	H
2122.30	-35.41	9.53	10.42	-36.30	-13.00	-23.30	H
2829.55	-33.19	11.27	11.12	-33.04	-13.00	-20.04	H
1414.61	-35.87	8.17	9.34	-37.04	-13.00	-24.04	V
2122.30	-34.79	9.53	10.42	-35.68	-13.00	-22.68	V
2829.55	-32.57	11.27	11.12	-32.42	-13.00	-19.42	V
LTE Band 12 / 10MHz / QPSK / RB Size 1 Offset 0/ The Worst Test Results for Highest							
Frequency(MHz)	S G.Lev (dBm)	Ant(dBi)	Loss	PMea	Limit	Margin	Polarity
				(dBm)	(dBm)	(dBm)	
1421.78	-34.61	8.17	9.34	-35.78	-13.00	-22.78	H
2132.87	-34.03	9.53	10.42	-34.92	-13.00	-21.92	H
2843.86	-33.43	11.27	11.12	-33.28	-13.00	-20.28	H
1421.78	-35.33	8.17	9.34	-36.50	-13.00	-23.50	V
2132.87	-34.92	9.53	10.42	-35.81	-13.00	-22.81	V
2843.86	-31.90	11.27	11.12	-31.75	-13.00	-18.75	V



LTE Band 66 / 1.4MHz / QPSK / RB Size 1 Offset 0/ The Worst Test Results for Lowest							
Frequency(MHz)	S G.Lev (dBm)	Ant(dBi)	Loss	PMea	Limit	Margin	Polarity
				(dBm)	(dBm)	(dBm)	
3421.29	-34.20	12.90	12.56	-33.86	-13.00	-20.86	H
5132.01	-34.06	13.10	16.32	-37.28	-13.00	-24.28	H
6842.47	-33.33	12.33	21.13	-42.13	-13.00	-29.13	H
3421.29	-34.58	12.90	12.56	-34.24	-13.00	-21.24	V
5132.01	-34.52	13.10	16.32	-37.74	-13.00	-24.74	V
6842.47	-33.18	12.33	21.13	-41.98	-13.00	-28.98	V
LTE Band 66 / 1.4MHz / QPSK / RB Size 1 Offset 0/ The Worst Test Results for Middle							
Frequency(MHz)	S G.Lev (dBm)	Ant(dBi)	Loss	PMea	Limit	Margin	Polarity
				(dBm)	(dBm)	(dBm)	
3489.83	-34.11	12.90	12.56	-33.77	-13.00	-20.77	H
5235.14	-34.55	13.10	16.32	-37.77	-13.00	-24.77	H
6979.85	-32.21	12.33	21.13	-41.01	-13.00	-28.01	H
3489.83	-35.12	12.90	12.56	-34.78	-13.00	-21.78	V
5235.14	-34.73	13.10	16.32	-37.95	-13.00	-24.95	V
6979.85	-33.15	12.33	21.13	-41.95	-13.00	-28.95	V
LTE Band 66 / 1.4MHz / QPSK / RB Size 1 Offset 0/ The Worst Test Results for Highest							
Frequency(MHz)	S G.Lev (dBm)	Ant(dBi)	Loss	PMea	Limit	Margin	Polarity
				(dBm)	(dBm)	(dBm)	
3558.20	-34.31	12.90	12.56	-33.97	-13.00	-20.97	H
5337.04	-35.22	13.10	16.32	-38.44	-13.00	-25.44	H
7117.14	-33.28	12.33	21.13	-42.08	-13.00	-29.08	H
3558.20	-34.73	12.90	12.56	-34.39	-13.00	-21.39	V
5337.04	-34.22	13.10	16.32	-37.44	-13.00	-24.44	V
7117.14	-33.10	12.33	21.13	-41.90	-13.00	-28.90	V



LTE Band 66 / 3MHz / QPSK / RB Size 1 Offset 0/ The Worst Test Results for Lowest							
Frequency(MHz)	S G.Lev (dBm)	Ant(dBi)	Loss	PMea	Limit	Margin	Polarity
				(dBm)	(dBm)	(dBm)	
3423.25	-34.76	12.90	12.56	-34.42	-13.00	-21.42	H
5134.11	-35.47	13.10	16.32	-38.69	-13.00	-25.69	H
6846.20	-32.27	12.33	21.13	-41.07	-13.00	-28.07	H
3423.25	-35.64	12.90	12.56	-35.30	-13.00	-22.30	V
5134.11	-34.61	13.10	16.32	-37.83	-13.00	-24.83	V
6846.20	-33.18	12.33	21.13	-41.98	-13.00	-28.98	V
LTE Band 66 / 3MHz / QPSK / RB Size 1 Offset 0/ The Worst Test Results for Middle							
Frequency(MHz)	S G.Lev (dBm)	Ant(dBi)	Loss	PMea	Limit	Margin	Polarity
				(dBm)	(dBm)	(dBm)	
3489.83	-33.99	12.90	12.56	-33.65	-13.00	-20.65	H
5235.07	-35.35	13.10	16.32	-38.57	-13.00	-25.57	H
6980.27	-33.47	12.33	21.13	-42.27	-13.00	-29.27	H
3489.83	-34.73	12.90	12.56	-34.39	-13.00	-21.39	V
5235.07	-35.24	13.10	16.32	-38.46	-13.00	-25.46	V
6980.27	-32.86	12.33	21.13	-41.66	-13.00	-28.66	V
LTE Band 66 / 3MHz / QPSK / RB Size 1 Offset 0/ The Worst Test Results for Highest							
Frequency(MHz)	S G.Lev (dBm)	Ant(dBi)	Loss	PMea	Limit	Margin	Polarity
				(dBm)	(dBm)	(dBm)	
3556.93	-33.58	12.90	12.56	-33.24	-13.00	-20.24	H
5262.48	-35.43	13.10	16.32	-38.65	-13.00	-25.65	H
7114.07	-33.03	12.33	21.13	-41.83	-13.00	-28.83	H
3556.93	-34.57	12.90	12.56	-34.23	-13.00	-21.23	V
5262.48	-34.93	13.10	16.32	-38.15	-13.00	-25.15	V
7114.07	-31.92	12.33	21.13	-40.72	-13.00	-27.72	V



LTE Band 66 / 5MHz / QPSK / RB Size 1 Offset 0/ The Worst Test Results for Lowest							
Frequency(MHz)	S G.Lev (dBm)	Ant(dBi)	Loss	PMea	Limit	Margin	Polarity
				(dBm)	(dBm)	(dBm)	
3425.48	-34.62	12.90	12.56	-34.28	-13.00	-21.28	H
5137.30	-34.39	13.10	16.32	-37.61	-13.00	-24.61	H
6850.02	-33.41	12.33	21.13	-42.21	-13.00	-29.21	H
3425.48	-35.24	12.90	12.56	-34.90	-13.00	-21.90	V
5137.30	-34.94	13.10	16.32	-38.16	-13.00	-25.16	V
6850.02	-32.43	12.33	21.13	-41.23	-13.00	-28.23	V
LTE Band 66 / 5MHz / QPSK / RB Size 1 Offset 0/ The Worst Test Results for Middle							
Frequency(MHz)	S G.Lev (dBm)	Ant(dBi)	Loss	PMea	Limit	Margin	Polarity
				(dBm)	(dBm)	(dBm)	
3490.04	-34.57	12.90	12.56	-34.23	-13.00	-21.23	H
5234.82	-34.47	13.10	16.32	-37.69	-13.00	-24.69	H
6980.23	-33.24	12.33	21.13	-42.04	-13.00	-29.04	H
3490.04	-35.69	12.90	12.56	-35.35	-13.00	-22.35	V
5234.82	-34.55	13.10	16.32	-37.77	-13.00	-24.77	V
6980.23	-32.85	12.33	21.13	-41.65	-13.00	-28.65	V
LTE Band 66 / 5MHz / QPSK / RB Size 1 Offset 0/ The Worst Test Results for Highest							
Frequency(MHz)	S G.Lev (dBm)	Ant(dBi)	Loss	PMea	Limit	Margin	Polarity
				(dBm)	(dBm)	(dBm)	
3558.22	-33.94	12.90	12.56	-33.60	-13.00	-20.60	H
5235.10	-34.50	13.10	16.32	-37.72	-13.00	-24.72	H
7110.19	-32.92	12.33	21.13	-41.72	-13.00	-28.72	H
3558.22	-34.72	12.90	12.56	-34.38	-13.00	-21.38	V
5235.10	-34.32	13.10	16.32	-37.54	-13.00	-24.54	V
7110.19	-31.91	12.33	21.13	-40.71	-13.00	-27.71	V



LTE Band 66 / 10MHz / QPSK / RB Size 1 Offset 0/ The Worst Test Results for Lowest							
Frequency(MHz)	S G.Lev (dBm)	Ant(dBi)	Loss	PMea	Limit	Margin	Polarity
				(dBm)	(dBm)	(dBm)	
3429.84	-33.47	12.90	12.56	-33.13	-13.00	-20.13	H
5145.01	-34.83	13.10	16.32	-38.05	-13.00	-25.05	H
6880.22	-33.62	12.33	21.13	-42.42	-13.00	-29.42	H
3429.84	-34.65	12.90	12.56	-34.31	-13.00	-21.31	V
5145.01	-33.89	13.10	16.32	-37.11	-13.00	-24.11	V
6880.22	-32.33	12.33	21.13	-41.13	-13.00	-28.13	V
LTE Band 66 / 10MHz / QPSK / RB Size 1 Offset 0/ The Worst Test Results for Middle							
Frequency(MHz)	S G.Lev (dBm)	Ant(dBi)	Loss	PMea	Limit	Margin	Polarity
				(dBm)	(dBm)	(dBm)	
3490.14	-33.65	12.90	12.56	-33.31	-13.00	-20.31	H
5235.24	-34.06	13.10	16.32	-37.28	-13.00	-24.28	H
6979.80	-32.48	12.33	21.13	-41.28	-13.00	-28.28	H
3490.14	-35.71	12.90	12.56	-35.37	-13.00	-22.37	V
5235.24	-34.31	13.10	16.32	-37.53	-13.00	-24.53	V
6979.80	-31.74	12.33	21.13	-40.54	-13.00	-27.54	V
LTE Band 66 / 10MHz / QPSK / RB Size 1 Offset 0/ The Worst Test Results for Highest							
Frequency(MHz)	S G.Lev (dBm)	Ant(dBi)	Loss	PMea	Limit	Margin	Polarity
				(dBm)	(dBm)	(dBm)	
3550.75	-33.86	12.90	12.56	-33.52	-13.00	-20.52	H
5235.13	-34.51	13.10	16.32	-37.73	-13.00	-24.73	H
7100.05	-32.91	12.33	21.13	-41.71	-13.00	-28.71	H
3550.75	-35.40	12.90	12.56	-35.06	-13.00	-22.06	V
5235.13	-34.32	13.10	16.32	-37.54	-13.00	-24.54	V
7100.05	-32.47	12.33	21.13	-41.27	-13.00	-28.27	V



LTE Band 66 / 15MHz / QPSK / RB Size 1 Offset 0/ The Worst Test Results for Lowest							
Frequency(MHz)	S G.Lev (dBm)	Ant(dBi)	Loss	PMea	Limit	Margin	Polarity
				(dBm)	(dBm)	(dBm)	
3434.96	-33.77	12.90	12.56	-33.43	-13.00	-20.43	H
5152.57	-35.12	13.10	16.32	-38.34	-13.00	-25.34	H
6870.04	-32.40	12.33	21.13	-41.20	-13.00	-28.20	H
3434.96	-34.76	12.90	12.56	-34.42	-13.00	-21.42	V
5152.57	-34.39	13.10	16.32	-37.61	-13.00	-24.61	V
6870.04	-32.76	12.33	21.13	-41.56	-13.00	-28.56	V
LTE Band 66 /15MHz / QPSK / RB Size 1 Offset 0/ The Worst Test Results for Middle							
Frequency(MHz)	S G.Lev (dBm)	Ant(dBi)	Loss	PMea	Limit	Margin	Polarity
				(dBm)	(dBm)	(dBm)	
3490.12	-34.28	12.90	12.56	-33.94	-13.00	-20.94	H
5235.24	-35.24	13.10	16.32	-38.46	-13.00	-25.46	H
6980.26	-32.62	12.33	21.13	-41.42	-13.00	-28.42	H
3490.12	-35.07	12.90	12.56	-34.73	-13.00	-21.73	V
5235.24	-34.06	13.10	16.32	-37.28	-13.00	-24.28	V
6980.26	-31.85	12.33	21.13	-40.65	-13.00	-27.65	V
LTE Band 66 / 15MHz / QPSK / RB Size 1 Offset 0/ The Worst Test Results for Highest							
Frequency(MHz)	S G.Lev (dBm)	Ant(dBi)	Loss	PMea	Limit	Margin	Polarity
				(dBm)	(dBm)	(dBm)	
3545.08	-34.38	12.90	12.56	-34.04	-13.00	-21.04	H
5332.55	-34.33	13.10	16.32	-37.55	-13.00	-24.55	H
7089.94	-32.87	12.33	21.13	-41.67	-13.00	-28.67	H
3545.08	-35.94	12.90	12.56	-35.60	-13.00	-22.60	V
5332.55	-34.62	13.10	16.32	-37.84	-13.00	-24.84	V
7089.94	-32.93	12.33	21.13	-41.73	-13.00	-28.73	V



LTE Band 66 / 20MHz / QPSK / RB Size 1 Offset 0/ The Worst Test Results for Lowest							
Frequency(MHz)	S G.Lev (dBm)	Ant(dBi)	Loss	PMea	Limit	Margin	Polarity
				(dBm)	(dBm)	(dBm)	
3439.97	-34.37	12.90	12.56	-34.03	-13.00	-21.03	H
5159.95	-34.11	13.10	16.32	-37.33	-13.00	-24.33	H
6879.89	-33.27	12.33	21.13	-42.07	-13.00	-29.07	H
3439.97	-35.94	12.90	12.56	-35.60	-13.00	-22.60	V
5159.95	-35.02	13.10	16.32	-38.24	-13.00	-25.24	V
6879.89	-32.18	12.33	21.13	-40.98	-13.00	-27.98	V
LTE Band 66 / 20MHz / QPSK / RB Size 1 Offset 0/ The Worst Test Results for Middle							
Frequency(MHz)	S G.Lev (dBm)	Ant(dBi)	Loss	PMea	Limit	Margin	Polarity
				(dBm)	(dBm)	(dBm)	
3489.91	-33.98	12.90	12.56	-33.64	-13.00	-20.64	H
5235.03	-34.11	13.10	16.32	-37.33	-13.00	-24.33	H
6979.83	-32.59	12.33	21.13	-41.39	-13.00	-28.39	H
3489.91	-35.39	12.90	12.56	-35.05	-13.00	-22.05	V
5235.03	-33.95	13.10	16.32	-37.17	-13.00	-24.17	V
6979.83	-31.90	12.33	21.13	-40.70	-13.00	-27.70	V
LTE Band 66 / 20MHz / QPSK / RB Size 1 Offset 0/ The Worst Test Results for Highest							
Frequency(MHz)	S G.Lev (dBm)	Ant(dBi)	Loss	PMea	Limit	Margin	Polarity
				(dBm)	(dBm)	(dBm)	
3539.92	-33.92	12.90	12.56	-33.58	-13.00	-20.58	H
5310.06	-34.76	13.10	16.32	-37.98	-13.00	-24.98	H
7080.76	-32.52	12.33	21.13	-41.32	-13.00	-28.32	H
3539.92	-35.87	12.90	12.56	-35.53	-13.00	-22.53	V
5310.06	-34.34	13.10	16.32	-37.56	-13.00	-24.56	V
7080.76	-33.14	12.33	21.13	-41.94	-13.00	-28.94	V



LTE Band 66 / 20MHz / QPSK / RB Size 1 Offset 0/ The Worst Test Results for Lowest							
Frequency(MHz)	S G.Lev (dBm)	Ant(dBi)	Loss	PMea	Limit	Margin	Polarity
				(dBm)	(dBm)	(dBm)	
3439.97	-34.37	12.90	12.56	-34.03	-13.00	-21.03	H
5159.95	-34.11	13.10	16.32	-37.33	-13.00	-24.33	H
6879.89	-33.27	12.33	21.13	-42.07	-13.00	-29.07	H
3439.97	-35.94	12.90	12.56	-35.60	-13.00	-22.60	V
5159.95	-35.02	13.10	16.32	-38.24	-13.00	-25.24	V
6879.89	-32.18	12.33	21.13	-40.98	-13.00	-27.98	V
LTE Band 66 / 20MHz / QPSK / RB Size 1 Offset 0/ The Worst Test Results for Middle							
Frequency(MHz)	S G.Lev (dBm)	Ant(dBi)	Loss	PMea	Limit	Margin	Polarity
				(dBm)	(dBm)	(dBm)	
3489.91	-33.98	12.90	12.56	-33.64	-13.00	-20.64	H
5235.03	-34.11	13.10	16.32	-37.33	-13.00	-24.33	H
6979.83	-32.59	12.33	21.13	-41.39	-13.00	-28.39	H
3489.91	-35.39	12.90	12.56	-35.05	-13.00	-22.05	V
5235.03	-33.95	13.10	16.32	-37.17	-13.00	-24.17	V
6979.83	-31.90	12.33	21.13	-40.70	-13.00	-27.70	V
LTE Band 66 / 20MHz / QPSK / RB Size 1 Offset 0/ The Worst Test Results for Highest							
Frequency(MHz)	S G.Lev (dBm)	Ant(dBi)	Loss	PMea	Limit	Margin	Polarity
				(dBm)	(dBm)	(dBm)	
3539.92	-33.92	12.90	12.56	-33.58	-13.00	-20.58	H
5310.06	-34.76	13.10	16.32	-37.98	-13.00	-24.98	H
7080.76	-32.52	12.33	21.13	-41.32	-13.00	-28.32	H
3539.92	-35.87	12.90	12.56	-35.53	-13.00	-22.53	V
5310.06	-34.34	13.10	16.32	-37.56	-13.00	-24.56	V
7080.76	-33.14	12.33	21.13	-41.94	-13.00	-28.94	V

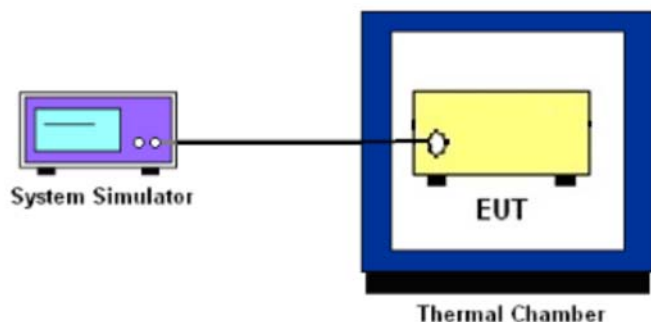
9. FREQUENCY STABILITY

9.1 DESCRIPTION OF FREQUENCY STABILITY MEASUREMENT

10.1.1 MEASUREMENT METHOD

The frequency stability shall be measured by variation of ambient temperature and variation of primary supply voltage to ensure that the fundamental emission stays within the authorized frequency block. The frequency stability of the transmitter shall be maintained within $\pm 0.00025\%$ ($\pm 2.5\text{ppm}$) of the center frequency.

9.1.2 TEST SETUP



9.1.3 TEST PROCEDURES FOR TEMPERATURE VARIATION

1. The EUT was set up in the thermal chamber and connected with the system simulator.
2. With power OFF, the temperature was decreased to -30°C and the EUT was stabilized before testing. Power was applied and the maximum change in frequency was recorded within one minute.
3. With power OFF, the temperature was raised in 10°C step up to 50°C . The EUT was stabilized at each step for at least half an hour. Power was applied and the maximum frequency change was recorded within one minute.

9.1.4 TEST PROCEDURES FOR VOLTAGE VARIATION

1. The testing follows FCC KDB 971168 D01v01r03 Section 9.
2. The EUT was placed in a temperature chamber at $25\pm 5^{\circ}\text{C}$ and connected with the system simulator.
3. The power supply voltage to the EUT was varied from 85% to 115% of the nominal value measured at the input to the EUT.
4. The variation in frequency was measured for the worst case.



9.1.5 TEST RESULTS

LTE Band 2 (QPSK) / 1880MHz / BW10M					
Temperature (°C)	Voltage	Freq. Dev.	Freq. Dev.	Limit	Result
	(Volt)	(Hz)	(ppm)		
50	Normal Voltage	12.44	0.007	2.5ppm	PASS
40		31.25	0.017		
30		27.83	0.015		
20		14.49	0.008		
10		32.83	0.017		
0		22.91	0.012		
-10		25.87	0.014		
-20		26.34	0.014		
-30		20.80	0.011		
20		Maximum Voltage	13.46		
20	BEP	14.47	0.008		

LTE Band 2 (QPSK) / 1880MHz / BW20M					
Temperature (°C)	Voltage	Freq. Dev.	Freq. Dev.	Limit	Result
	(Volt)	(Hz)	(ppm)		
50	Normal Voltage	22.48	0.012	2.5ppm	PASS
40		23.68	0.013		
30		27.89	0.015		
20		33.45	0.018		
10		16.21	0.009		
0		30.65	0.016		
-10		32.95	0.018		
-20		33.19	0.018		
-30		23.44	0.012		
20		Maximum Voltage	34.48		
20	BEP	27.82	0.015		



LTE Band 4 (QPSK) / 1733MHz / BW10M					
Temperature (°C)	Voltage	Freq. Dev.	Freq. Dev.	Limit	Result
	(Volt)	(Hz)	(ppm)		
50	Normal Voltage	23.90	0.014	2.5ppm	PASS
40		35.16	0.020		
30		23.65	0.014		
20		14.29	0.008		
10		12.49	0.007		
0		21.50	0.012		
-10		28.05	0.016		
-20		23.51	0.014		
-30		24.69	0.014		
20		Maximum Voltage	14.59		
20	BEP	14.24	0.008		

LTE Band 4 (QPSK) / 1733MHz / BW20M					
Temperature (°C)	Voltage	Freq. Dev.	Freq. Dev.	Limit	Result
	(Volt)	(Hz)	(ppm)		
50	Normal Voltage	32.73	0.019	2.5ppm	PASS
40		27.53	0.016		
30		17.72	0.010		
20		24.13	0.014		
10		35.28	0.020		
0		22.81	0.013		
-10		20.73	0.012		
-20		15.05	0.009		
-30		36.35	0.021		
20		Maximum Voltage	35.27		
20	BEP	22.80	0.013		



LTE Band 5 (QPSK) / 836.5MHz / BW5M					
Temperature (°C)	Voltage	Freq. Dev.	Freq. Dev.	Limit	Result
	(Volt)	(Hz)	(ppm)		
50	Normal Voltage	19.52	0.027	2.5ppm	PASS
40		31.23	0.044		
30		16.32	0.023		
20		12.61	0.018		
10		13.13	0.018		
0		25.47	0.036		
-10		24.35	0.003		
-20		32.71	0.046		
-30		12.93	0.018		
20		Maximum Voltage	16.06		
20	BEP	30.29	0.043		

LTE Band 5 (QPSK) / 836.5MHz / BW10M					
Temperature (°C)	Voltage	Freq. Dev.	Freq. Dev.	Limit	Result
	(Volt)	(Hz)	(ppm)		
50	Normal Voltage	15.75	0.022	2.5ppm	PASS
40		30.13	0.042		
30		32.44	0.046		
20		16.60	0.023		
10		18.90	0.027		
0		33.96	0.048		
-10		14.34	0.002		
-20		30.81	0.043		
-30		34.56	0.049		
20		Maximum Voltage	32.27		
20	BEP	18.96	0.027		



LTE Band 12 (QPSK) / 707.5MHz / BW5M					
Temperature (°C)	Voltage	Freq. Dev.	Freq. Dev.	Limit	Result
	(Volt)	(Hz)	(ppm)		
50	Normal Voltage	28.35	0.040	2.5ppm	PASS
40		30.35	0.043		
30		29.89	0.042		
20		31.86	0.045		
10		14.00	0.020		
0		26.96	0.038		
-10		20.54	0.003		
-20		28.27	0.040		
-30		16.18	0.023		
20		Maximum Voltage	28.20		
20	BEP	27.41	0.039		

LTE Band 12 (QPSK) / 707.5MHz / BW10M					
Temperature (°C)	Voltage	Freq. Dev.	Freq. Dev.	Limit	Result
	(Volt)	(Hz)	(ppm)		
50	Normal Voltage	26.09	0.037	2.5ppm	PASS
40		20.49	0.029		
30		18.33	0.026		
20		29.20	0.041		
10		12.90	0.018		
0		34.72	0.049		
-10		11.92	0.002		
-20		27.00	0.038		
-30		18.66	0.026		
20		Maximum Voltage	33.81		
20	BEP	16.43	0.023		



LTE Band 66 (QPSK) / 1745MHz / BW10M					
Temperature (°C)	Voltage	Freq. Dev.	Freq. Dev.	Limit	Result
	(Volt)	(Hz)	(ppm)		
50	Normal Voltage	34.69	0.020	2.5ppm	PASS
40		33.16	0.019		
30		11.72	0.007		
20		18.96	0.011		
10		34.23	0.020		
0		15.78	0.009		
-10		19.53	0.011		
-20		14.30	0.008		
-30		20.92	0.012		
20		Maximum Voltage	35.61		
20	BEP	24.60	0.014		

LTE Band 66 (QPSK) / 1745MHz / BW20M					
Temperature (°C)	Voltage	Freq. Dev.	Freq. Dev.	Limit	Result
	(Volt)	(Hz)	(ppm)		
50	Normal Voltage	11.75	0.007	2.5ppm	PASS
40		34.90	0.020		
30		17.98	0.010		
20		14.32	0.008		
10		12.44	0.007		
0		27.91	0.016		
-10		31.61	0.018		
-20		23.23	0.013		
-30		20.02	0.012		
20		Maximum Voltage	34.41		
20	BEP	12.29	0.007		



APPENDIX-PHOTOS OF TEST SETUP

Note: See test photos in setup photo document for the actual connections between Product and support equipment.

*****END OF THE REPORT*****

