

| HSUPA Band 2 / 1880MHz | | | | | |
|------------------------|----------------|-----------------|------------|------------------------|--------|
| Temperature (°C) | Voltage | Freq. Dev. | Freq. Dev. | Limit | Result |
| | (Volt) | (Hz) | (ppm) | | |
| 50 | Normal Voltage | 20.99 | 0.011 | Within Authorized Band | PASS |
| 40 | | 34.97 | 0.019 | | |
| 30 | | 34.54 | 0.018 | | |
| 20 | | 33.62 | 0.018 | | |
| 10 | | 27.35 | 0.015 | | |
| 0 | | 35.53 | 0.019 | | |
| -10 | | 23.39 | 0.012 | | |
| -20 | | 19.01 | 0.010 | | |
| -30 | | 23.55 | 0.013 | | |
| 20 | | Maximum Voltage | 19.79 | | |
| 20 | BEP | 35.85 | 0.019 | | |

| UMTS Band 5 / 836.4MHz | | | | | |
|------------------------|----------------|-----------------|------------|--------|--------|
| Temperature (°C) | Voltage | Freq. Dev. | Freq. Dev. | Limit | Result |
| | (Volt) | (Hz) | (ppm) | | |
| 50 | Normal Voltage | 16.12 | 0.019 | 2.5ppm | PASS |
| 40 | | 21.83 | 0.026 | | |
| 30 | | 22.10 | 0.026 | | |
| 20 | | 22.89 | 0.027 | | |
| 10 | | 16.68 | 0.020 | | |
| 0 | | 34.95 | 0.042 | | |
| -10 | | 24.66 | 0.029 | | |
| -20 | | 24.37 | 0.029 | | |
| -30 | | 21.48 | 0.026 | | |
| 20 | | Maximum Voltage | 34.56 | | |
| 20 | BEP | 26.11 | 0.031 | | |

| HSDPA Band 5 / 836.4MHz | | | | | |
|-------------------------|----------------|-----------------|------------|--------|--------|
| Temperature (°C) | Voltage | Freq. Dev. | Freq. Dev. | Limit | Result |
| | (Volt) | | (ppm) | | |
| 50 | Normal Voltage | 21.90 | 0.026 | 2.5ppm | PASS |
| 40 | | 25.76 | 0.031 | | |
| 30 | | 12.02 | 0.014 | | |
| 20 | | 13.21 | 0.016 | | |
| 10 | | 21.94 | 0.026 | | |
| 0 | | 22.40 | 0.027 | | |
| -10 | | 28.68 | 0.034 | | |
| -20 | | 17.81 | 0.021 | | |
| -30 | | 31.26 | 0.037 | | |
| 20 | | Maximum Voltage | 31.88 | | |
| 20 | BEP | 22.92 | 0.027 | | |

| HSUPA Band 5 / 836.4MHz | | | | | |
|-------------------------|----------------|-----------------|------------|--------|--------|
| Temperature (°C) | Voltage | Freq. Dev. | Freq. Dev. | Limit | Result |
| | (Volt) | (Hz) | (ppm) | | |
| 50 | Normal Voltage | 21.62 | 0.026 | 2.5ppm | PASS |
| 40 | | 26.15 | 0.031 | | |
| 30 | | 29.04 | 0.035 | | |
| 20 | | 18.80 | 0.022 | | |
| 10 | | 16.99 | 0.020 | | |
| 0 | | 17.66 | 0.021 | | |
| -10 | | 18.79 | 0.022 | | |
| -20 | | 22.37 | 0.027 | | |
| -30 | | 24.10 | 0.029 | | |
| 20 | | Maximum Voltage | 33.83 | | |
| 20 | BEP | 11.82 | 0.014 | | |

| UMTS Band 4 /1740MHz | | | | | |
|----------------------|----------------|-----------------|------------|------------------------|--------|
| Temperature (°C) | Voltage | Freq. Dev. | Freq. Dev. | Limit | Result |
| | (Volt) | (Hz) | (ppm) | | |
| 50 | Normal Voltage | 18.47 | 0.010 | Within Authorized Band | PASS |
| 40 | | 32.33 | 0.017 | | |
| 30 | | 14.54 | 0.008 | | |
| 20 | | 18.67 | 0.010 | | |
| 10 | | 13.09 | 0.007 | | |
| 0 | | 18.31 | 0.010 | | |
| -10 | | 30.89 | 0.016 | | |
| -20 | | 22.00 | 0.012 | | |
| -30 | | 14.85 | 0.008 | | |
| 20 | | Maximum Voltage | 33.09 | | |
| 20 | BEP | 17.80 | 0.009 | | |

| HSDPA Band 4 /1740MHz | | | | | |
|-----------------------|----------------|-----------------|------------|------------------------|--------|
| Temperature (°C) | Voltage | Freq. Dev. | Freq. Dev. | Limit | Result |
| | (Volt) | (Hz) | (ppm) | | |
| 50 | Normal Voltage | 18.22 | 0.010 | Within Authorized Band | PASS |
| 40 | | 20.36 | 0.011 | | |
| 30 | | 34.55 | 0.018 | | |
| 20 | | 29.08 | 0.015 | | |
| 10 | | 17.48 | 0.009 | | |
| 0 | | 23.38 | 0.012 | | |
| -10 | | 25.92 | 0.014 | | |
| -20 | | 12.73 | 0.007 | | |
| -30 | | 16.73 | 0.009 | | |
| 20 | | Maximum Voltage | 31.80 | | |
| 20 | BEP | 13.15 | 0.007 | | |

| HSUPA Band 4 /1740MHz | | | | | |
|-----------------------|----------------|-----------------|------------|------------------------|--------|
| Temperature (°C) | Voltage | Freq. Dev. | Freq. Dev. | Limit | Result |
| | (Volt) | (Hz) | (ppm) | | |
| 50 | Normal Voltage | 28.65 | 0.015 | Within Authorized Band | PASS |
| 40 | | 34.17 | 0.018 | | |
| 30 | | 27.58 | 0.015 | | |
| 20 | | 23.35 | 0.012 | | |
| 10 | | 32.89 | 0.017 | | |
| 0 | | 17.92 | 0.010 | | |
| -10 | | 20.11 | 0.011 | | |
| -20 | | 19.32 | 0.010 | | |
| -30 | | 31.61 | 0.017 | | |
| 20 | | Maximum Voltage | 32.27 | | |
| 20 | BEP | 16.65 | 0.009 | | |

| LTE Band 2 (QPSK) / 1880MHz / BW10M | | | | | |
|-------------------------------------|----------------|-----------------|------------|--------|--------|
| Temperature (°C) | Voltage | Freq. Dev. | Freq. Dev. | Limit | Result |
| | (Volt) | (Hz) | (ppm) | | |
| 50 | Normal Voltage | 12.01 | 0.006 | 2.5ppm | PASS |
| 40 | | 19.36 | 0.010 | | |
| 30 | | 26.92 | 0.014 | | |
| 20 | | 28.51 | 0.015 | | |
| 10 | | 29.48 | 0.016 | | |
| 0 | | 24.02 | 0.013 | | |
| -10 | | 30.48 | 0.016 | | |
| -20 | | 23.32 | 0.012 | | |
| -30 | | 17.84 | 0.009 | | |
| 20 | | Maximum Voltage | 16.79 | | |
| 20 | BEP | 22.31 | 0.012 | | |

| LTE Band 2 (QPSK) / 1880MHz / BW20M | | | | | |
|-------------------------------------|----------------|-----------------|------------|--------|--------|
| Temperature (°C) | Voltage | Freq. Dev. | Freq. Dev. | Limit | Result |
| | (Volt) | (Hz) | (ppm) | | |
| 50 | Normal Voltage | 26.17 | 0.014 | 2.5ppm | PASS |
| 40 | | 13.70 | 0.007 | | |
| 30 | | 14.50 | 0.008 | | |
| 20 | | 24.01 | 0.013 | | |
| 10 | | 13.52 | 0.007 | | |
| 0 | | 25.69 | 0.014 | | |
| -10 | | 32.97 | 0.018 | | |
| -20 | | 21.43 | 0.011 | | |
| -30 | | 14.02 | 0.007 | | |
| 20 | | Maximum Voltage | 36.32 | | |
| 20 | BEP | 35.54 | 0.019 | | |

| LTE Band 4 (QPSK) / 1733MHz / BW10M | | | | | |
|-------------------------------------|----------------|-----------------|------------|--------|--------|
| Temperature (°C) | Voltage | Freq. Dev. | Freq. Dev. | Limit | Result |
| | (Volt) | (Hz) | (ppm) | | |
| 50 | Normal Voltage | 21.16 | 0.012 | 2.5ppm | PASS |
| 40 | | 25.27 | 0.015 | | |
| 30 | | 18.94 | 0.011 | | |
| 20 | | 12.54 | 0.007 | | |
| 10 | | 24.37 | 0.014 | | |
| 0 | | 24.52 | 0.014 | | |
| -10 | | 31.43 | 0.018 | | |
| -20 | | 13.24 | 0.008 | | |
| -30 | | 16.20 | 0.009 | | |
| 20 | | Maximum Voltage | 18.38 | | |
| 20 | BEP | 17.67 | 0.010 | | |

| LTE Band 4 (QPSK) / 1733MHz / BW20M | | | | | |
|-------------------------------------|----------------|-----------------|------------|--------|--------|
| Temperature (°C) | Voltage | Freq. Dev. | Freq. Dev. | Limit | Result |
| | (Volt) | (Hz) | (ppm) | | |
| 50 | Normal Voltage | 19.52 | 0.011 | 2.5ppm | PASS |
| 40 | | 29.87 | 0.017 | | |
| 30 | | 29.06 | 0.017 | | |
| 20 | | 12.62 | 0.007 | | |
| 10 | | 20.06 | 0.012 | | |
| 0 | | 16.50 | 0.010 | | |
| -10 | | 21.66 | 0.012 | | |
| -20 | | 31.60 | 0.018 | | |
| -30 | | 17.00 | 0.010 | | |
| 20 | | Maximum Voltage | 18.84 | | |
| 20 | BEP | 21.25 | 0.012 | | |

| LTE Band 5 (QPSK) / 836.5MHz / BW5M | | | | | |
|-------------------------------------|----------------|-----------------|------------|--------|--------|
| Temperature (°C) | Voltage | Freq. Dev. | Freq. Dev. | Limit | Result |
| | (Volt) | (Hz) | (ppm) | | |
| 50 | Normal Voltage | 36.15 | 0.051 | 2.5ppm | PASS |
| 40 | | 29.17 | 0.041 | | |
| 30 | | 13.87 | 0.020 | | |
| 20 | | 13.29 | 0.019 | | |
| 10 | | 32.26 | 0.045 | | |
| 0 | | 17.17 | 0.024 | | |
| -10 | | 13.65 | 0.002 | | |
| -20 | | 13.47 | 0.019 | | |
| -30 | | 16.84 | 0.024 | | |
| 20 | | Maximum Voltage | 36.43 | | |
| 20 | BEP | 19.91 | 0.028 | | |

| LTE Band 5 (QPSK) / 836.5MHz / BW10M | | | | | |
|--------------------------------------|----------------|-----------------|------------|--------|--------|
| Temperature (°C) | Voltage | Freq. Dev. | Freq. Dev. | Limit | Result |
| | (Volt) | (Hz) | (ppm) | | |
| 50 | Normal Voltage | 19.06 | 0.027 | 2.5ppm | PASS |
| 40 | | 20.93 | 0.029 | | |
| 30 | | 30.61 | 0.043 | | |
| 20 | | 16.43 | 0.023 | | |
| 10 | | 24.98 | 0.035 | | |
| 0 | | 29.52 | 0.042 | | |
| -10 | | 33.90 | 0.005 | | |
| -20 | | 21.83 | 0.031 | | |
| -30 | | 17.29 | 0.024 | | |
| 20 | | Maximum Voltage | 20.62 | | |
| 20 | BEP | 15.65 | 0.022 | | |

| LTE Band 12 (QPSK) / 707.5MHz / BW5M | | | | | |
|--------------------------------------|----------------|-----------------|------------|--------|--------|
| Temperature (°C) | Voltage | Freq. Dev. | Freq. Dev. | Limit | Result |
| | (Volt) | (Hz) | (ppm) | | |
| 50 | Normal Voltage | 21.13 | 0.030 | 2.5ppm | PASS |
| 40 | | 13.00 | 0.018 | | |
| 30 | | 26.85 | 0.038 | | |
| 20 | | 33.36 | 0.047 | | |
| 10 | | 27.74 | 0.039 | | |
| 0 | | 29.65 | 0.042 | | |
| -10 | | 24.07 | 0.003 | | |
| -20 | | 13.18 | 0.019 | | |
| -30 | | 18.67 | 0.026 | | |
| 20 | | Maximum Voltage | 31.37 | | |
| 20 | BEP | 19.05 | 0.027 | | |

| LTE Band 12 (QPSK) / 707.5MHz / BW10M | | | | | |
|---------------------------------------|----------------|-----------------|------------|--------|--------|
| Temperature (°C) | Voltage | Freq. Dev. | Freq. Dev. | Limit | Result |
| | (Volt) | (Hz) | (ppm) | | |
| 50 | Normal Voltage | 13.63 | 0.019 | 2.5ppm | PASS |
| 40 | | 25.87 | 0.036 | | |
| 30 | | 23.58 | 0.033 | | |
| 20 | | 19.36 | 0.027 | | |
| 10 | | 23.83 | 0.034 | | |
| 0 | | 23.30 | 0.033 | | |
| -10 | | 24.26 | 0.003 | | |
| -20 | | 25.83 | 0.036 | | |
| -30 | | 19.23 | 0.027 | | |
| 20 | | Maximum Voltage | 26.33 | | |
| 20 | BEP | 29.25 | 0.041 | | |

| LTE Band 66 (QPSK) / 1745MHz / BW10M | | | | | |
|--------------------------------------|----------------|-----------------|------------|--------|--------|
| Temperature (°C) | Voltage | Freq. Dev. | Freq. Dev. | Limit | Result |
| | (Volt) | (Hz) | (ppm) | | |
| 50 | Normal Voltage | 22.18 | 0.013 | 2.5ppm | PASS |
| 40 | | 21.18 | 0.012 | | |
| 30 | | 34.32 | 0.020 | | |
| 20 | | 12.09 | 0.007 | | |
| 10 | | 34.42 | 0.020 | | |
| 0 | | 24.92 | 0.014 | | |
| -10 | | 32.87 | 0.019 | | |
| -20 | | 31.91 | 0.018 | | |
| -30 | | 27.74 | 0.016 | | |
| 20 | | Maximum Voltage | 25.07 | | |
| 20 | BEP | 29.74 | 0.017 | | |

| LTE Band 66 (QPSK) / 1745MHz / BW20M | | | | | |
|--------------------------------------|----------------|-----------------|------------|--------|--------|
| Temperature (°C) | Voltage | Freq. Dev. | Freq. Dev. | Limit | Result |
| | (Volt) | (Hz) | (ppm) | | |
| 50 | Normal Voltage | 36.30 | 0.021 | 2.5ppm | PASS |
| 40 | | 20.14 | 0.012 | | |
| 30 | | 23.48 | 0.014 | | |
| 20 | | 20.30 | 0.012 | | |
| 10 | | 11.68 | 0.007 | | |
| 0 | | 12.21 | 0.007 | | |
| -10 | | 21.85 | 0.013 | | |
| -20 | | 31.88 | 0.018 | | |
| -30 | | 17.74 | 0.010 | | |
| 20 | | Maximum Voltage | 24.94 | | |
| 20 | BEP | 33.97 | 0.020 | | |

5.5 SPURIOUS EMISSIONS AT ANTENNA TERMINALS

TEST OVERVIEW

The power of any emission outside of the authorized operating frequency ranges must be lower than the transmitter power (P) by a factor of at least $43 + 10 \log (P)$ dB.

For Band 7:

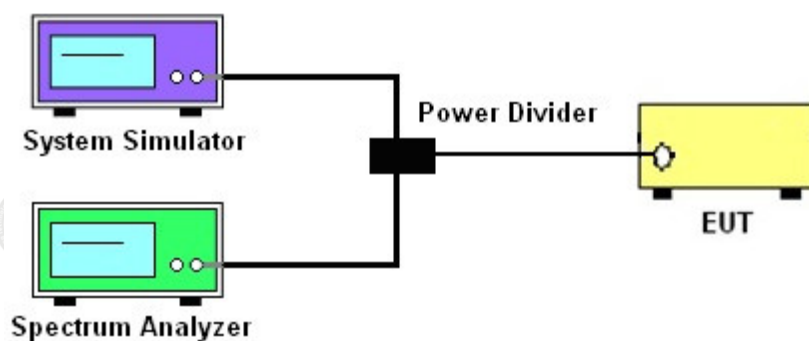
The power of any emission outside of the authorized operating frequency ranges must be lower than the transmitter power (P) by a factor of at least $55 + 10 \log (P)$ dB.

It is measured by means of a calibrated spectrum analyzer and scanned from 30 MHz up to a frequency including its 10th harmonic.

TEST PROCEDURE

1. The testing FCC KDB 971168 D01 v03r01 Section 6.0. and ANSI C63.26-2015-Section 5.7.
2. The EUT was connected to the spectrum analyzer and system simulator via a power divider.
3. The RF output of EUT was connected to the spectrum analyzer by an RF cable and attenuator. The path loss was compensated to the results for each measurement.
4. The middle channel for the highest RF power within the transmitting frequency was measured.
5. The conducted spurious emission for the whole frequency range was taken.
6. The RF fundamental frequency should be excluded against the limit line in the operating frequency band.
7. The limit line is derived from $43 + 10\log(P)$ dB below the transmitter power P(Watts)
 $= P(W) - [43 + 10\log(P)]$ (dB)
 $= [30 + 10\log(P)]$ (dBm) - $[43 + 10\log(P)]$ (dB)
 $= -13\text{dBm}$.

TEST SETUP



TEST RESULT

Note: The test data please reference to attachment "STS2303348W01_Appendix GSM", "STS2303348W01_Appendix WCDMA" and "STS2303348W01_Appendix LTE".

5.6 BAND EDGE

TEST OVERVIEW

1. §22.917(a)

For operations in the 824 – 849 MHz band, the FCC limit is $43 + 10\log_{10}(P[\text{Watts}])$ dB below the transmitter power $P(\text{Watts})$ in a 100kHz bandwidth. However, in the 1MHz bands immediately outside and adjacent to the licensee's frequency block, a resolution bandwidth of at least one percent of the emission bandwidth of the fundamental emission of the transmitter may be employed.

2. §24.238 (a)

For operations in the 1850-1910 and 1930-1990 MHz band, the FCC limit is $43 + 10\log_{10}(P[\text{Watts}])$ dB below the transmitter power $P(\text{Watts})$ in a 1MHz bandwidth. However, in the 1 MHz bands immediately outside and adjacent to the frequency block a resolution bandwidth of at least one percent of the emission bandwidth of the fundamental emission of the transmitter may be employed

3. §27.53 (h)

For operations in the 1710 – 1755 MHz band, the FCC limit is $43 + 10\log_{10}(P[\text{Watts}])$ dB below the transmitter power $P(\text{Watts})$ in a 1 MHz bandwidth. However, in the 1MHz bands immediately outside and adjacent to the licensee's frequency block, a resolution bandwidth of at least one percent of the emission bandwidth of the fundamental emission of the transmitter may be employed.

4. §27.53(m)(4)

For operations in the 2500 MHz ~ 2570 MHz band this section, the attenuation factor shall be not less than $40 + 10 \log (P)$ dB on all frequencies between the channel edge and 5 megahertz from the channel edge, $43 + 10 \log (P)$ dB on all frequencies between 5 megahertz and X megahertz from the channel edge, and $55 + 10 \log (P)$ dB on all frequencies more than X megahertz from the channel edge, where X is the greater of 6 megahertz or the actual emission bandwidth as defined in paragraph (m)(6) of this section. In addition, the attenuation factor shall not be less that $43 + 10 \log (P)$ dB on all frequencies between 2490.5 MHz and 2496 MHz and $55 + 10 \log (P)$ dB at or below 2490.5 MHz. Mobile Satellite Service licensees operating on frequencies below 2495 MHz may also submit a documented interference complaint against BRS licensees operating on channel BRS Channel 1 on the same terms and conditions as adjacent channel BRS or EBS licensees.

5. §27.53 (g)

For operations in the 698 -746 MHz band, the FCC limit is $43 + 10\log_{10}(P[\text{Watts}])$ dB below the transmitter power $P(\text{Watts})$ in a 100 kHz bandwidth. However, in the 100 kilohertz bands immediately outside and adjacent to a licensee's frequency block, a resolution bandwidth of at least 30 kHz may be employed.

TEST PROCEDURE

1. The testing FCC KDB 971168 D01 v03r01 Section 6.0 and ANSI C63.26-2015-Section 5.7
2. Start and stop frequency were set such that the band edge would be placed in the center of the Plot.
3. The EUT was connected to the spectrum analyzer and system simulator via a power divider.
4. The RF output of EUT was connected to the spectrum analyzer by an RF cable and attenuator. The path loss was compensated to the results for each measurement.
5. The band edges of low and high channels for the highest RF powers were measured.
6. The RF fundamental frequency should be excluded against the limit line in the operating frequency band.

7. The limit line is derived from $43 + 10\log(P)$ dB below the transmitter power P(Watts)

$$= P(W) - [43 + 10\log(P)] \text{ (dB)}$$

$$= [30 + 10\log(P)] \text{ (dBm)} - [43 + 10\log(P)] \text{ (dB)}$$

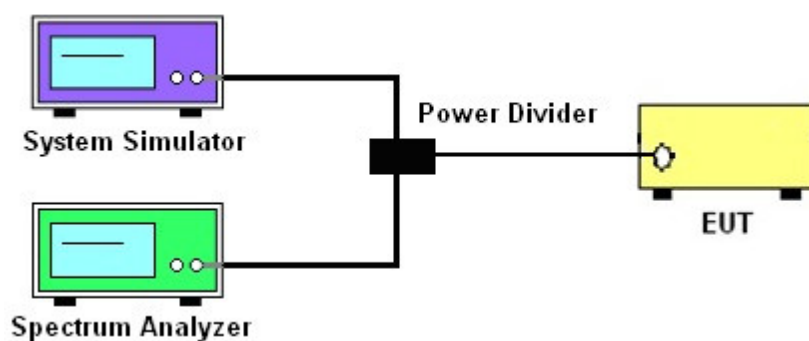
$$= -13\text{dBm.}$$

Band 7:

$$= P(W) - [55 + 10\log(P)] \text{ (dB)}$$

$$= [30 + 10\log(P)] \text{ (dBm)} - [55 + 10\log(P)] \text{ (dB)}$$

$$= -25\text{dBm.}$$

TEST SETUPTEST RESULT

Note: The test data please reference to attachment "STS2303348W01_Appendix GSM", "STS2303348W01_Appendix WCDMA" and "STS2303348W01_Appendix LTE".

5.7 FIELD STRENGTH OF SPURIOUS RADIATION MEASUREMENT

TEST OVERVIEW

Radiated spurious emissions measurements are performed using the substitution method described in ANSI C63.26-2015 with the EUT transmitting into an integral antenna. Measurements on signals operating below 1GHz are performed using horizontally and vertically polarized tuned dipole antennas. Measurements on signals operating above 1GHz are performed using vertically and horizontally polarized horn antennas. All measurements are performed as peak measurements while the EUT is operating at maximum power and at the appropriate frequencies.

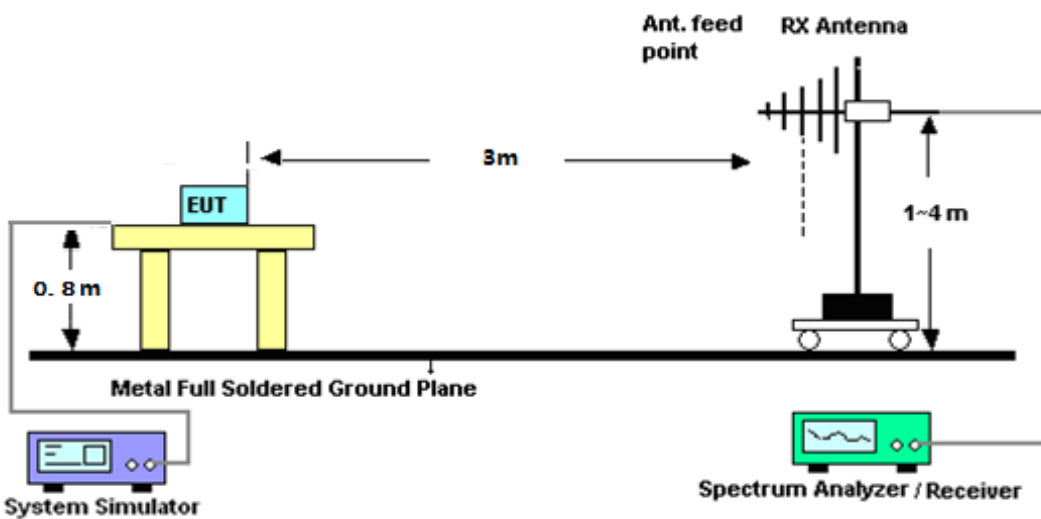
It is measured by means of a calibrated spectrum analyzer and scanned from 30 MHz up to a frequency including its 10th harmonic.

TEST PROCEDURE

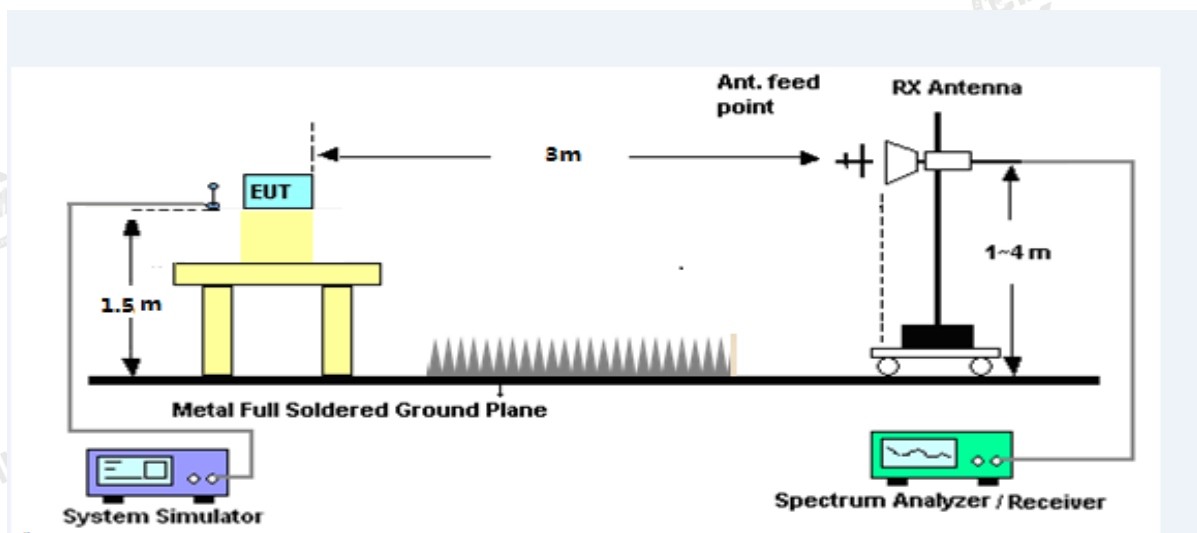
1. The testing FCC KDB 971168 D01 Section 5.8 and ANSI C63.26-2015-Section 5.5.
2. RBW = 100kHz for emissions below 1GHz and 1MHz for emissions above 1GHz
3. VBW $\geq 3 \times$ RBW
4. Span = 1.5 times the OBW
5. No. of sweep points $> 2 \times$ span/RBW
6. Detector = Peak
7. Trace mode = max hold
8. The trace was allowed to stabilize
9. Effective Isotropic Spurious Radiation was measured by substitution method according to TIA/EIA-603-D. The EUT was replaced by the substitution antenna at same location, and then a known power from S.G. was applied into the dipole antenna through a Tx cable, and then recorded the maximum Analyzer reading through raised and lowered the test antenna.
 $P_{Mea} = S.G \text{ Level} + \text{Ant-Cable loss}$; $\text{Margin} = P_{Mea} - \text{Limit}$.

TEST SETUP

For radiated test from 30MHz to 1GHz



For radiated test from above 1GHz



TEST RESULT

Note: (1) Spurious emissions which are attenuated by more than 20dB below the permissible value for frequency below 1000MHz.

(2) Above 3.5GHz amplitude of spurious emissions which are attenuated by more than 20dB below the permissible value

(3) Test is divided into three directions, X/Y/Z. X pattern for the worst.

| GPRS 850: (30-9000)MHz | | | | | | | |
|---|------------------|----------|-------|--------|--------|--------|----------|
| The Worst Test Results Channel 128/824.2 MHz | | | | | | | |
| Frequency(MHz) | S G.Lev (dBm) | Ant(dBi) | Loss | PMea | Limit | Margin | Polarity |
| | | | | (dBm) | (dBm) | (dBm) | |
| 1648.48 | -40.58 | 9.40 | 4.75 | -35.93 | -13.00 | -22.93 | H |
| 2472.42 | -40.50 | 10.60 | 8.39 | -38.29 | -13.00 | -25.29 | H |
| 3296.82 | -31.01 | 12.00 | 11.79 | -30.80 | -13.00 | -17.80 | H |
| 1648.48 | -44.12 | 9.40 | 4.75 | -39.47 | -13.00 | -26.47 | V |
| 2472.42 | -43.96 | 10.60 | 8.39 | -41.75 | -13.00 | -28.75 | V |
| 3296.82 | -43.04 | 12.00 | 11.79 | -42.83 | -13.00 | -29.83 | V |
| The Worst Test Results Channel 190/836.6 MHz | | | | | | | |
| Frequency(MHz) | S G.Lev (dBm) | Ant(dBi) | Loss | PMea | Limit | Margin | Polarity |
| | | | | (dBm) | (dBm) | (dBm) | |
| 1673.03 | -40.63 | 9.50 | 4.76 | -35.89 | -13.00 | -22.89 | H |
| 2509.60 | -39.86 | 10.70 | 8.40 | -37.56 | -13.00 | -24.56 | H |
| 3346.00 | -31.33 | 12.20 | 11.80 | -30.93 | -13.00 | -17.93 | H |
| 1673.03 | -43.92 | 9.40 | 4.75 | -39.27 | -13.00 | -26.27 | V |
| 2509.60 | -45.07 | 10.60 | 8.39 | -42.86 | -13.00 | -29.86 | V |
| 3346.00 | -43.96 | 12.20 | 11.82 | -43.58 | -13.00 | -30.58 | V |
| The Worst Test Results Channel 251/848.8 MHz | | | | | | | |
| Frequency(MHz) | S G.Lev (dBm) | Ant(dBi) | Loss | PMea | Limit | Margin | Polarity |
| | | | | (dBm) | (dBm) | (dBm) | |
| 1697.52 | -41.32 | 9.60 | 4.77 | -36.49 | -13.00 | -23.49 | H |
| 2546.27 | -39.32 | 10.80 | 8.50 | -37.02 | -13.00 | -24.02 | H |
| 3395.29 | -31.38 | 12.50 | 11.90 | -30.78 | -13.00 | -17.78 | H |
| 1697.52 | -43.92 | 9.60 | 4.77 | -39.09 | -13.00 | -26.09 | V |
| 2546.27 | -44.81 | 10.80 | 8.50 | -42.51 | -13.00 | -29.51 | V |
| 3395.29 | -43.35 | 12.50 | 11.90 | -42.75 | -13.00 | -29.75 | V |

| EGPRS 850: (30-9000)MHz | | | | | | | |
|---|---------------|----------|-------|------------|---------------|--------------|----------|
| The Worst Test Results Channel 128/824.2 MHz | | | | | | | |
| Frequency(MHz) | S G.Lev (dBm) | Ant(dBi) | Loss | PMea (dBm) | Limit (dBm) | Margin (dBm) | Polarity |
| 1648.22 | -40.92 | 9.40 | 4.75 | -36.27 | -13.00 | -23.27 | H |
| 2472.70 | -39.72 | 10.60 | 8.39 | -37.51 | -13.00 | -24.51 | H |
| 3296.52 | -31.18 | 12.00 | 11.79 | -30.97 | -13.00 | -17.97 | H |
| 1648.22 | -44.16 | 9.40 | 4.75 | -39.51 | -13.00 | -26.51 | V |
| 2472.70 | -44.78 | 10.60 | 8.39 | -42.57 | -13.00 | -29.57 | V |
| 3296.52 | -43.29 | 12.00 | 11.79 | -43.08 | -13.00 | -30.08 | V |
| The Worst Test Results Channel 190/836.6 MHz | | | | | | | |
| Frequency(MHz) | S G.Lev (dBm) | Ant(dBi) | Loss | PMea (dBm) | Limit (dBm) | Margin (dBm) | Polarity |
| 1673.26 | -41.46 | 9.50 | 4.76 | -36.72 | -13.00 | -23.72 | H |
| 2509.79 | -40.62 | 10.70 | 8.40 | -38.32 | -13.00 | -25.32 | H |
| 3346.06 | -31.62 | 12.20 | 11.80 | -31.22 | -13.00 | -18.22 | H |
| 1673.26 | -43.95 | 9.40 | 4.75 | -39.30 | -13.00 | -26.30 | V |
| 2509.79 | -44.57 | 10.60 | 8.39 | -42.36 | -13.00 | -29.36 | V |
| 3346.06 | -43.63 | 12.20 | 11.82 | -43.25 | -13.00 | -30.25 | V |
| The Worst Test Results Channel 251/848.8 MHz | | | | | | | |
| Frequency(MHz) | S G.Lev (dBm) | Ant(dBi) | Loss | PMea (dBm) | Limit (dBm) | Margin (dBm) | Polarity |
| 1697.60 | -41.26 | 9.60 | 4.77 | -36.43 | -13.00 | -23.43 | H |
| 2546.40 | -40.20 | 10.80 | 8.50 | -37.90 | -13.00 | -24.90 | H |
| 3394.88 | -31.70 | 12.50 | 11.90 | -31.10 | -13.00 | -18.10 | H |
| 1697.60 | -44.07 | 9.60 | 4.77 | -39.24 | -13.00 | -26.24 | V |
| 2546.40 | -45.39 | 10.80 | 8.50 | -43.09 | -13.00 | -30.09 | V |
| 3394.88 | -43.59 | 12.50 | 11.90 | -42.99 | -13.00 | -29.99 | V |

| GPRS1900: (30-20000)MHz | | | | | | | |
|--|---------------|----------|-------|--------|---------|--------|----------|
| The Worst Test Results for Channel 512/1850.2MHz | | | | | | | |
| Frequency(MHz) | S G.Lev (dBm) | Ant(dBi) | Loss | PMea | Limit | Margin | Polarity |
| | | | | (dBm) | (dBm) | (dBm) | |
| 3700.22 | -34.23 | 12.60 | 12.93 | -34.56 | -13.00 | -21.56 | H |
| 5550.20 | -34.85 | 13.10 | 17.11 | -38.86 | -13.00 | -25.86 | H |
| 7400.74 | -32.41 | 11.50 | 22.20 | -43.11 | -13.00 | -30.11 | H |
| 3700.22 | -35.03 | 12.60 | 12.93 | -35.36 | -13.00 | -22.36 | V |
| 5550.20 | -34.29 | 13.10 | 17.11 | -38.30 | -13.00 | -25.30 | V |
| 7400.74 | -31.77 | 11.50 | 22.20 | -42.47 | -13.00 | -29.47 | V |
| The Worst Test Results for Channel 661/1880.0MHz | | | | | | | |
| Frequency(MHz) | S G.Lev (dBm) | Ant(dBi) | Loss | PMea | Limit | Margin | Polarity |
| | | | | (dBm) | (dBm) | (dBm) | |
| 3760.15 | -34.88 | 12.60 | 12.93 | -35.21 | -13.00 | -22.21 | H |
| 5639.89 | -34.17 | 13.10 | 17.11 | -38.18 | -13.00 | -25.18 | H |
| 7520.08 | -32.71 | 11.50 | 22.20 | -43.41 | -13.00 | -30.41 | H |
| 3760.15 | -35.31 | 12.60 | 12.93 | -35.64 | -13.00 | -22.64 | V |
| 5639.89 | -34.52 | 13.10 | 17.11 | -38.53 | -13.00 | -25.53 | V |
| 7520.08 | -32.90 | 11.50 | 22.20 | -43.60 | -13.00 | -30.60 | V |
| The Worst Test Results for Channel 810/1909.8MHz | | | | | | | |
| Frequency(MHz) | S G.Lev (dBm) | Ant(dBi) | Loss | PMea | Limit | Margin | Polarity |
| | | | | (dBm) | (dBm) | (dBm) | |
| 3819.70 | -34.63 | 12.60 | 12.93 | -34.96 | -13.00 | -21.96 | H |
| 5729.10 | -34.39 | 13.10 | 17.11 | -38.40 | -13.00 | -25.40 | H |
| 7638.84 | -33.63 | 11.50 | 22.20 | -44.33 | -13.00 | -31.33 | H |
| 3819.70 | -35.09 | 12.60 | 12.93 | -35.42 | -13.00 | -22.42 | V |
| 5729.10 | -34.71 | 13.10 | 17.11 | -38.72 | -13.00 | -25.72 | V |
| 7638.84 | -32.21 | 11.50 | 22.20 | -42.91 | -13.00 | -29.91 | V |

| EGPRS 1900: (30-20000)MHz | | | | | | | |
|--|---------------|----------|-------|------------|---------------|--------------|----------|
| The Worst Test Results for Channel 512/1850.2MHz | | | | | | | |
| Frequency(MHz) | S G.Lev (dBm) | Ant(dBi) | Loss | PMea (dBm) | Limit (dBm) | Margin (dBm) | Polarity |
| 3700.43 | -33.94 | 12.60 | 12.93 | -34.27 | -13.00 | -21.27 | H |
| 5550.65 | -34.43 | 13.10 | 17.11 | -38.44 | -13.00 | -25.44 | H |
| 7400.59 | -33.35 | 11.50 | 22.20 | -44.05 | -13.00 | -31.05 | H |
| 3700.43 | -34.90 | 12.60 | 12.93 | -35.23 | -13.00 | -22.23 | V |
| 5550.65 | -34.51 | 13.10 | 17.11 | -38.52 | -13.00 | -25.52 | V |
| 7400.59 | -33.14 | 11.50 | 22.20 | -43.84 | -13.00 | -30.84 | V |
| The Worst Test Results for Channel 661/1880.0MHz | | | | | | | |
| Frequency(MHz) | S G.Lev (dBm) | Ant(dBi) | Loss | PMea (dBm) | Limit (dBm) | Margin (dBm) | Polarity |
| 3759.77 | -33.86 | 12.60 | 12.93 | -34.19 | -13.00 | -21.19 | H |
| 5639.98 | -35.31 | 13.10 | 17.11 | -39.32 | -13.00 | -26.32 | H |
| 7520.04 | -32.46 | 11.50 | 22.20 | -43.16 | -13.00 | -30.16 | H |
| 3759.77 | -35.19 | 12.60 | 12.93 | -35.52 | -13.00 | -22.52 | V |
| 5639.98 | -34.21 | 13.10 | 17.11 | -38.22 | -13.00 | -25.22 | V |
| 7520.04 | -32.02 | 11.50 | 22.20 | -42.72 | -13.00 | -29.72 | V |
| The Worst Test Results for Channel 810/1909.8MHz | | | | | | | |
| Frequency(MHz) | S G.Lev (dBm) | Ant(dBi) | Loss | PMea (dBm) | Limit (dBm) | Margin (dBm) | Polarity |
| 3819.68 | -34.31 | 12.60 | 12.93 | -34.64 | -13.00 | -21.64 | H |
| 5729.16 | -34.49 | 13.10 | 17.11 | -38.50 | -13.00 | -25.50 | H |
| 7638.91 | -33.52 | 11.50 | 22.20 | -44.22 | -13.00 | -31.22 | H |
| 3819.68 | -35.65 | 12.60 | 12.93 | -35.98 | -13.00 | -22.98 | V |
| 5729.16 | -34.12 | 13.10 | 17.11 | -38.13 | -13.00 | -25.13 | V |
| 7638.91 | -32.96 | 11.50 | 22.20 | -43.66 | -13.00 | -30.66 | V |

| The Worst Test Results for Channel 9262/1852.4MHz | | | | | | | |
|---|------------------|----------|-------|--------|--------|--------|----------|
| Frequency(MHz) | S G.Lev (dBm) | Ant(dBi) | Loss | PMea | Limit | Margin | Polarity |
| | | | | (dBm) | (dBm) | (dBm) | |
| 3704.14 | -34.90 | 12.60 | 12.93 | -35.23 | -13.00 | -22.23 | H |
| 5557.27 | -34.45 | 13.10 | 17.11 | -38.46 | -13.00 | -25.46 | H |
| 7409.77 | -32.69 | 11.50 | 22.20 | -43.39 | -13.00 | -30.39 | H |
| 3704.14 | -35.32 | 12.60 | 12.93 | -35.65 | -13.00 | -22.65 | V |
| 5557.27 | -34.91 | 13.10 | 17.11 | -38.92 | -13.00 | -25.92 | V |
| 7409.77 | -32.95 | 11.50 | 22.20 | -43.65 | -13.00 | -30.65 | V |
| The Worst Test Results for Channel 9400/1880MHz | | | | | | | |
| Frequency(MHz) | S G.Lev (dBm) | Ant(dBi) | Loss | PMea | Limit | Margin | Polarity |
| | | | | (dBm) | (dBm) | (dBm) | |
| 3760.16 | -33.80 | 12.60 | 12.93 | -34.13 | -13.00 | -21.13 | H |
| 5639.93 | -34.92 | 13.10 | 17.11 | -38.93 | -13.00 | -25.93 | H |
| 7519.85 | -32.84 | 11.50 | 22.20 | -43.54 | -13.00 | -30.54 | H |
| 3760.16 | -35.21 | 12.60 | 12.93 | -35.54 | -13.00 | -22.54 | V |
| 5639.93 | -33.97 | 13.10 | 17.11 | -37.98 | -13.00 | -24.98 | V |
| 7519.85 | -32.50 | 11.50 | 22.20 | -43.20 | -13.00 | -30.20 | V |
| The Worst Test Results for Channel 9538/1907.6MHz | | | | | | | |
| Frequency(MHz) | S G.Lev (dBm) | Ant(dBi) | Loss | PMea | Limit | Margin | Polarity |
| | | | | (dBm) | (dBm) | (dBm) | |
| 3815.61 | -34.48 | 12.60 | 12.93 | -34.81 | -13.00 | -21.81 | H |
| 5722.58 | -35.01 | 13.10 | 17.11 | -39.02 | -13.00 | -26.02 | H |
| 7630.35 | -33.26 | 11.50 | 22.20 | -43.96 | -13.00 | -30.96 | H |
| 3815.61 | -35.03 | 12.60 | 12.93 | -35.36 | -13.00 | -22.36 | V |
| 5722.58 | -34.75 | 13.10 | 17.11 | -38.76 | -13.00 | -25.76 | V |
| 7630.35 | -32.04 | 11.50 | 22.20 | -42.74 | -13.00 | -29.74 | V |

| HSUPA Band 2: (30-20000)MHz | | | | | | | |
|---|------------------|----------|-------|--------|--------|--------|----------|
| The Worst Test Results for Channel 9262/1852.4MHz | | | | | | | |
| Frequency(MHz) | S G.Lev (dBm) | Ant(dBi) | Loss | PMea | Limit | Margin | Polarity |
| | | | | (dBm) | (dBm) | (dBm) | |
| 3704.36 | -34.19 | 12.60 | 12.93 | -34.52 | -13.00 | -21.52 | H |
| 5557.59 | -35.25 | 13.10 | 17.11 | -39.26 | -13.00 | -26.26 | H |
| 7409.62 | -33.36 | 11.50 | 22.20 | -44.06 | -13.00 | -31.06 | H |
| 3704.36 | -34.72 | 12.60 | 12.93 | -35.05 | -13.00 | -22.05 | V |
| 5557.59 | -34.94 | 13.10 | 17.11 | -38.95 | -13.00 | -25.95 | V |
| 7409.62 | -31.97 | 11.50 | 22.20 | -42.67 | -13.00 | -29.67 | V |
| The Worst Test Results for Channel 9400/1880MHz | | | | | | | |
| Frequency(MHz) | S G.Lev (dBm) | Ant(dBi) | Loss | PMea | Limit | Margin | Polarity |
| | | | | (dBm) | (dBm) | (dBm) | |
| 3760.01 | -34.54 | 12.60 | 12.93 | -34.87 | -13.00 | -21.87 | H |
| 5639.83 | -35.07 | 13.10 | 17.11 | -39.08 | -13.00 | -26.08 | H |
| 7520.28 | -32.59 | 11.50 | 22.20 | -43.29 | -13.00 | -30.29 | H |
| 3760.01 | -35.43 | 12.60 | 12.93 | -35.76 | -13.00 | -22.76 | V |
| 5639.83 | -35.13 | 13.10 | 17.11 | -39.14 | -13.00 | -26.14 | V |
| 7520.28 | -32.77 | 11.50 | 22.20 | -43.47 | -13.00 | -30.47 | V |
| The Worst Test Results for Channel 9538/1907.6MHz | | | | | | | |
| Frequency(MHz) | S G.Lev (dBm) | Ant(dBi) | Loss | PMea | Limit | Margin | Polarity |
| | | | | (dBm) | (dBm) | (dBm) | |
| 3815.54 | -34.92 | 12.60 | 12.93 | -35.25 | -13.00 | -22.25 | H |
| 5722.67 | -35.11 | 13.10 | 17.11 | -39.12 | -13.00 | -26.12 | H |
| 7630.13 | -33.29 | 11.50 | 22.20 | -43.99 | -13.00 | -30.99 | H |
| 3815.54 | -35.82 | 12.60 | 12.93 | -36.15 | -13.00 | -23.15 | V |
| 5722.67 | -34.54 | 13.10 | 17.11 | -38.55 | -13.00 | -25.55 | V |
| 7630.13 | -32.70 | 11.50 | 22.20 | -43.40 | -13.00 | -30.40 | V |

| HSDPA Band 2: (30-20000)MHz | | | | | | | |
|---|------------------|----------|-------|---------------|----------------|-----------------|----------|
| The Worst Test Results for Channel 9262/1852.4MHz | | | | | | | |
| Frequency(MHz) | S G.Lev (dBm) | Ant(dBi) | Loss | PMea (dBm) | Limit (dBm) | Margin (dBm) | Polarity |
| 3704.44 | -34.77 | 12.60 | 12.93 | -35.10 | -13.00 | -22.10 | H |
| 5557.62 | -34.38 | 13.10 | 17.11 | -38.39 | -13.00 | -25.39 | H |
| 7409.84 | -32.27 | 11.50 | 22.20 | -42.97 | -13.00 | -29.97 | H |
| 3704.44 | -35.85 | 12.60 | 12.93 | -36.18 | -13.00 | -23.18 | V |
| 5557.62 | -34.43 | 13.10 | 17.11 | -38.44 | -13.00 | -25.44 | V |
| 7409.84 | -32.37 | 11.50 | 22.20 | -43.07 | -13.00 | -30.07 | V |
| The Worst Test Results for Channel 9400/1880MHz | | | | | | | |
| Frequency(MHz) | S G.Lev (dBm) | Ant(dBi) | Loss | PMea (dBm) | Limit (dBm) | Margin (dBm) | Polarity |
| 3760.21 | -34.23 | 12.60 | 12.93 | -34.56 | -13.00 | -21.56 | H |
| 5640.09 | -34.37 | 13.10 | 17.11 | -38.38 | -13.00 | -25.38 | H |
| 7520.00 | -32.72 | 11.50 | 22.20 | -43.42 | -13.00 | -30.42 | H |
| 3760.21 | -35.28 | 12.60 | 12.93 | -35.61 | -13.00 | -22.61 | V |
| 5640.09 | -34.48 | 13.10 | 17.11 | -38.49 | -13.00 | -25.49 | V |
| 7520.00 | -32.17 | 11.50 | 22.20 | -42.87 | -13.00 | -29.87 | V |
| The Worst Test Results for Channel 9538/1907.6MHz | | | | | | | |
| Frequency(MHz) | S G.Lev (dBm) | Ant(dBi) | Loss | PMea (dBm) | Limit (dBm) | Margin (dBm) | Polarity |
| 3815.60 | -34.66 | 12.60 | 12.93 | -34.99 | -13.00 | -21.99 | H |
| 5722.64 | -35.25 | 13.10 | 17.11 | -39.26 | -13.00 | -26.26 | H |
| 7630.05 | -33.03 | 11.50 | 22.20 | -43.73 | -13.00 | -30.73 | H |
| 3815.60 | -35.69 | 12.60 | 12.93 | -36.02 | -13.00 | -23.02 | V |
| 5722.64 | -34.27 | 13.10 | 17.11 | -38.28 | -13.00 | -25.28 | V |
| 7630.05 | -32.90 | 11.50 | 22.20 | -43.60 | -13.00 | -30.60 | V |

| WCDMA Band 4: (30-18000)MHz | | | | | | | |
|---|---------------|----------|-------|--------|---------|--------|----------|
| The Worst Test Results for Channel 1312/1712.4MHz | | | | | | | |
| Frequency(MHz) | S G.Lev (dBm) | Ant(dBi) | Loss | PMea | Limit | Margin | Polarity |
| | | | | (dBm) | (dBm) | (dBm) | |
| 3425.01 | -33.91 | 12.90 | 12.05 | -33.06 | -13.00 | -20.06 | H |
| 5137.22 | -34.62 | 12.80 | 16.27 | -38.09 | -13.00 | -25.09 | H |
| 6849.62 | -32.90 | 12.30 | 20.13 | -40.73 | -13.00 | -27.73 | H |
| 3425.01 | -34.85 | 12.90 | 12.05 | -34.00 | -13.00 | -21.00 | V |
| 5137.22 | -34.09 | 12.80 | 16.27 | -37.56 | -13.00 | -24.56 | V |
| 6849.62 | -32.98 | 12.30 | 20.13 | -40.81 | -13.00 | -27.81 | V |
| The Worst Test Results for Channel 1450/1740.0MHz | | | | | | | |
| Frequency(MHz) | S G.Lev (dBm) | Ant(dBi) | Loss | PMea | Limit | Margin | Polarity |
| | | | | (dBm) | (dBm) | (dBm) | |
| 3480.17 | -33.62 | 12.90 | 12.05 | -32.77 | -13.00 | -19.77 | H |
| 5219.93 | -34.74 | 12.80 | 16.27 | -38.21 | -13.00 | -25.21 | H |
| 6959.80 | -33.54 | 12.30 | 20.13 | -41.37 | -13.00 | -28.37 | H |
| 3480.17 | -34.99 | 12.90 | 12.05 | -34.14 | -13.00 | -21.14 | V |
| 5219.93 | -34.11 | 12.80 | 16.27 | -37.58 | -13.00 | -24.58 | V |
| 6959.80 | -32.19 | 12.30 | 20.13 | -40.02 | -13.00 | -27.02 | V |
| The Worst Test Results for Channel 1513/1752.6MHz | | | | | | | |
| Frequency(MHz) | S G.Lev (dBm) | Ant(dBi) | Loss | PMea | Limit | Margin | Polarity |
| | | | | (dBm) | (dBm) | (dBm) | |
| 3505.10 | -34.44 | 12.90 | 12.05 | -33.59 | -13.00 | -20.59 | H |
| 5257.88 | -34.01 | 12.80 | 16.27 | -37.48 | -13.00 | -24.48 | H |
| 7010.35 | -32.36 | 12.30 | 20.13 | -40.19 | -13.00 | -27.19 | H |
| 3505.10 | -35.09 | 12.90 | 12.05 | -34.24 | -13.00 | -21.24 | V |
| 5257.88 | -34.99 | 12.80 | 16.27 | -38.46 | -13.00 | -25.46 | V |
| 7010.35 | -33.07 | 12.30 | 20.13 | -40.90 | -13.00 | -27.90 | V |

| HSUPA Band 4: (30-18000)MHz | | | | | | | |
|---|------------------|----------|-------|--------|--------|--------|----------|
| The Worst Test Results for Channel 1312/1712.4MHz | | | | | | | |
| Frequency(MHz) | S G.Lev (dBm) | Ant(dBi) | Loss | PMea | Limit | Margin | Polarity |
| | | | | (dBm) | (dBm) | (dBm) | |
| 3424.91 | -34.74 | 12.90 | 12.05 | -33.89 | -13.00 | -20.89 | H |
| 5137.10 | -34.41 | 12.80 | 16.27 | -37.88 | -13.00 | -24.88 | H |
| 6849.85 | -32.27 | 12.30 | 20.13 | -40.10 | -13.00 | -27.10 | H |
| 3424.91 | -34.73 | 12.90 | 12.05 | -33.88 | -13.00 | -20.88 | V |
| 5137.10 | -34.21 | 12.80 | 16.27 | -37.68 | -13.00 | -24.68 | V |
| 6849.85 | -33.14 | 12.30 | 20.13 | -40.97 | -13.00 | -27.97 | V |
| The Worst Test Results for Channel 1450/1740.0MHz | | | | | | | |
| Frequency(MHz) | S G.Lev (dBm) | Ant(dBi) | Loss | PMea | Limit | Margin | Polarity |
| | | | | (dBm) | (dBm) | (dBm) | |
| 3480.22 | -34.85 | 12.90 | 12.05 | -34.00 | -13.00 | -21.00 | H |
| 5219.83 | -35.20 | 12.80 | 16.27 | -38.67 | -13.00 | -25.67 | H |
| 6959.83 | -32.40 | 12.30 | 20.13 | -40.23 | -13.00 | -27.23 | H |
| 3480.22 | -34.91 | 12.90 | 12.05 | -34.06 | -13.00 | -21.06 | V |
| 5219.83 | -34.33 | 12.80 | 16.27 | -37.80 | -13.00 | -24.80 | V |
| 6959.83 | -32.34 | 12.30 | 20.13 | -40.17 | -13.00 | -27.17 | V |
| The Worst Test Results for Channel 1513/1752.6MHz | | | | | | | |
| Frequency(MHz) | S G.Lev (dBm) | Ant(dBi) | Loss | PMea | Limit | Margin | Polarity |
| | | | | (dBm) | (dBm) | (dBm) | |
| 3505.02 | -33.96 | 12.90 | 12.05 | -33.11 | -13.00 | -20.11 | H |
| 5257.68 | -35.13 | 12.80 | 16.27 | -38.60 | -13.00 | -25.60 | H |
| 7010.55 | -32.77 | 12.30 | 20.13 | -40.60 | -13.00 | -27.60 | H |
| 3505.02 | -35.04 | 12.90 | 12.05 | -34.19 | -13.00 | -21.19 | V |
| 5257.68 | -33.79 | 12.80 | 16.27 | -37.26 | -13.00 | -24.26 | V |
| 7010.55 | -32.06 | 12.30 | 20.13 | -39.89 | -13.00 | -26.89 | V |

| HSDPA Band 4: (30-18000)MHz | | | | | | | |
|---|------------------|----------|-------|--------|--------|--------|----------|
| The Worst Test Results for Channel 1312/1712.4MHz | | | | | | | |
| Frequency(MHz) | S G.Lev (dBm) | Ant(dBi) | Loss | PMea | Limit | Margin | Polarity |
| | | | | (dBm) | (dBm) | (dBm) | |
| 3424.65 | -34.74 | 12.90 | 12.05 | -33.89 | -13.00 | -20.89 | H |
| 5137.37 | -34.67 | 12.80 | 16.27 | -38.14 | -13.00 | -25.14 | H |
| 6849.91 | -32.59 | 12.30 | 20.13 | -40.42 | -13.00 | -27.42 | H |
| 3424.65 | -35.19 | 12.90 | 12.05 | -34.34 | -13.00 | -21.34 | V |
| 5137.37 | -34.30 | 12.80 | 16.27 | -37.77 | -13.00 | -24.77 | V |
| 6849.91 | -33.04 | 12.30 | 20.13 | -40.87 | -13.00 | -27.87 | V |
| The Worst Test Results for Channel 1450/1740.0MHz | | | | | | | |
| Frequency(MHz) | S G.Lev (dBm) | Ant(dBi) | Loss | PMea | Limit | Margin | Polarity |
| | | | | (dBm) | (dBm) | (dBm) | |
| 3480.16 | -33.51 | 12.90 | 12.05 | -32.66 | -13.00 | -19.66 | H |
| 5220.11 | -34.57 | 12.80 | 16.27 | -38.04 | -13.00 | -25.04 | H |
| 6959.79 | -32.74 | 12.30 | 20.13 | -40.57 | -13.00 | -27.57 | H |
| 3480.16 | -35.77 | 12.90 | 12.05 | -34.92 | -13.00 | -21.92 | V |
| 5220.11 | -34.49 | 12.80 | 16.27 | -37.96 | -13.00 | -24.96 | V |
| 6959.79 | -32.81 | 12.30 | 20.13 | -40.64 | -13.00 | -27.64 | V |
| The Worst Test Results for Channel 1513/1752.6MHz | | | | | | | |
| Frequency(MHz) | S G.Lev (dBm) | Ant(dBi) | Loss | PMea | Limit | Margin | Polarity |
| | | | | (dBm) | (dBm) | (dBm) | |
| 3505.13 | -34.18 | 12.90 | 12.05 | -33.33 | -13.00 | -20.33 | H |
| 5257.63 | -34.96 | 12.80 | 16.27 | -38.43 | -13.00 | -25.43 | H |
| 7010.48 | -33.23 | 12.30 | 20.13 | -41.06 | -13.00 | -28.06 | H |
| 3505.13 | -35.58 | 12.90 | 12.05 | -34.73 | -13.00 | -21.73 | V |
| 5257.63 | -34.66 | 12.80 | 16.27 | -38.13 | -13.00 | -25.13 | V |
| 7010.48 | -32.07 | 12.30 | 20.13 | -39.90 | -13.00 | -26.90 | V |

| WCDMA Band 5: (30-9000)MHz | | | | | | | |
|--|------------------|----------|-------|---------------|----------------|-----------------|----------|
| The most testresults channel 4132/826.4MHz | | | | | | | |
| Frequency(MHz) | S G.Lev (dBm) | Ant(dBi) | Loss | PMea (dBm) | Limit (dBm) | Margin (dBm) | Polarity |
| 1652.97 | -41.21 | 9.40 | 4.75 | -36.56 | -13.00 | -23.56 | H |
| 2479.34 | -40.35 | 10.60 | 8.39 | -38.14 | -13.00 | -25.14 | H |
| 3305.64 | -31.86 | 12.00 | 11.79 | -31.65 | -13.00 | -18.65 | H |
| 1652.97 | -43.17 | 9.40 | 4.75 | -38.52 | -13.00 | -25.52 | V |
| 2479.34 | -45.25 | 10.60 | 8.39 | -43.04 | -13.00 | -30.04 | V |
| 3305.64 | -43.91 | 12.00 | 11.79 | -43.70 | -13.00 | -30.70 | V |
| The Worst Test Results Channel 4182/836.4MHz | | | | | | | |
| Frequency(MHz) | S G.Lev (dBm) | Ant(dBi) | Loss | PMea (dBm) | Limit (dBm) | Margin (dBm) | Polarity |
| 1672.57 | -41.52 | 9.40 | 4.75 | -36.87 | -13.00 | -23.87 | H |
| 2509.18 | -40.05 | 10.60 | 8.39 | -37.84 | -13.00 | -24.84 | H |
| 3345.87 | -30.99 | 12.00 | 11.79 | -30.78 | -13.00 | -17.78 | H |
| 1672.57 | -43.45 | 9.40 | 4.75 | -38.80 | -13.00 | -25.80 | V |
| 2509.18 | -44.30 | 10.60 | 8.39 | -42.09 | -13.00 | -29.09 | V |
| 3345.87 | -43.71 | 12.00 | 11.79 | -43.50 | -13.00 | -30.50 | V |
| The Worst Test Results Channel 4233/846.6MHz | | | | | | | |
| Frequency(MHz) | S G.Lev (dBm) | Ant(dBi) | Loss | PMea (dBm) | Limit (dBm) | Margin (dBm) | Polarity |
| 1693.23 | -41.06 | 9.40 | 4.75 | -36.41 | -13.00 | -23.41 | H |
| 2539.86 | -40.29 | 10.60 | 8.39 | -38.08 | -13.00 | -25.08 | H |
| 3386.43 | -32.07 | 12.00 | 11.79 | -31.86 | -13.00 | -18.86 | H |
| 1693.23 | -43.45 | 9.40 | 4.75 | -38.80 | -13.00 | -25.80 | V |
| 2539.86 | -44.04 | 10.60 | 8.39 | -41.83 | -13.00 | -28.83 | V |
| 3386.43 | -43.93 | 12.00 | 11.79 | -43.72 | -13.00 | -30.72 | V |

| HSUPA Band 5: (30-9000)MHz | | | | | | | |
|--|---------------|----------|-------|------------|-------------|--------------|----------|
| The most testresults channel 4132/826.4MHz | | | | | | | |
| Frequency(MHz) | S G.Lev (dBm) | Ant(dBi) | Loss | PMea (dBm) | Limit (dBm) | Margin (dBm) | Polarity |
| 1652.68 | -41.52 | 9.40 | 4.75 | -36.87 | -13.00 | -23.87 | H |
| 2479.43 | -40.00 | 10.60 | 8.39 | -37.79 | -13.00 | -24.79 | H |
| 3305.56 | -32.32 | 12.00 | 11.79 | -32.11 | -13.00 | -19.11 | H |
| 1652.68 | -43.40 | 9.40 | 4.75 | -38.75 | -13.00 | -25.75 | V |
| 2479.43 | -44.07 | 10.60 | 8.39 | -41.86 | -13.00 | -28.86 | V |
| 3305.56 | -43.83 | 12.00 | 11.79 | -43.62 | -13.00 | -30.62 | V |
| The Worst Test Results Channel 4182/836.4MHz | | | | | | | |
| Frequency(MHz) | S G.Lev (dBm) | Ant(dBi) | Loss | PMea (dBm) | Limit (dBm) | Margin (dBm) | Polarity |
| 1673.01 | -41.05 | 9.40 | 4.75 | -36.40 | -13.00 | -23.40 | H |
| 2509.40 | -39.92 | 10.60 | 8.39 | -37.71 | -13.00 | -24.71 | H |
| 3345.42 | -31.05 | 12.00 | 11.79 | -30.84 | -13.00 | -17.84 | H |
| 1673.01 | -43.34 | 9.40 | 4.75 | -38.69 | -13.00 | -25.69 | V |
| 2509.40 | -44.67 | 10.60 | 8.39 | -42.46 | -13.00 | -29.46 | V |
| 3345.42 | -43.09 | 12.00 | 11.79 | -42.88 | -13.00 | -29.88 | V |
| The Worst Test Results Channel 4233/846.6MHz | | | | | | | |
| Frequency(MHz) | S G.Lev (dBm) | Ant(dBi) | Loss | PMea (dBm) | Limit (dBm) | Margin (dBm) | Polarity |
| 1693.53 | -41.26 | 9.40 | 4.75 | -36.61 | -13.00 | -23.61 | H |
| 2539.65 | -39.89 | 10.60 | 8.39 | -37.68 | -13.00 | -24.68 | H |
| 3386.52 | -31.21 | 12.00 | 11.79 | -31.00 | -13.00 | -18.00 | H |
| 1693.53 | -43.53 | 9.40 | 4.75 | -38.88 | -13.00 | -25.88 | V |
| 2539.65 | -44.98 | 10.60 | 8.39 | -42.77 | -13.00 | -29.77 | V |
| 3386.52 | -43.12 | 12.00 | 11.79 | -42.91 | -13.00 | -29.91 | V |

| HSDPA Band 5: (30-9000)MHz | | | | | | | |
|---|------------------|----------|-------|--------|--------|--------|----------|
| The most testresults channel 4132/826.4MHz | | | | | | | |
| Frequency(MHz) | S G.Lev (dBm) | Ant(dBi) | Loss | PMea | Limit | Margin | Polarity |
| | | | | (dBm) | (dBm) | (dBm) | |
| 1652.85 | -41.30 | 9.40 | 4.75 | -36.65 | -13.00 | -23.65 | H |
| 2479.10 | -39.89 | 10.60 | 8.39 | -37.68 | -13.00 | -24.68 | H |
| 3305.93 | -31.43 | 12.00 | 11.79 | -31.22 | -13.00 | -18.22 | H |
| 1652.85 | -43.77 | 9.40 | 4.75 | -39.12 | -13.00 | -26.12 | V |
| 2479.10 | -44.50 | 10.60 | 8.39 | -42.29 | -13.00 | -29.29 | V |
| 3305.93 | -43.47 | 12.00 | 11.79 | -43.26 | -13.00 | -30.26 | V |
| The Worst Test Results Channel 4182/836.4MHz | | | | | | | |
| Frequency(MHz) | S G.Lev (dBm) | Ant(dBi) | Loss | PMea | Limit | Margin | Polarity |
| | | | | (dBm) | (dBm) | (dBm) | |
| 1672.60 | -41.15 | 9.40 | 4.75 | -36.50 | -13.00 | -23.50 | H |
| 2509.46 | -40.27 | 10.60 | 8.39 | -38.06 | -13.00 | -25.06 | H |
| 3345.73 | -32.23 | 12.00 | 11.79 | -32.02 | -13.00 | -19.02 | H |
| 1672.60 | -44.08 | 9.40 | 4.75 | -39.43 | -13.00 | -26.43 | V |
| 2509.46 | -44.05 | 10.60 | 8.39 | -41.84 | -13.00 | -28.84 | V |
| 3345.73 | -43.10 | 12.00 | 11.79 | -42.89 | -13.00 | -29.89 | V |
| The Worst Test Results Channel 4233/846.6MHz | | | | | | | |
| Frequency(MHz) | S G.Lev (dBm) | Ant(dBi) | Loss | PMea | Limit | Margin | Polarity |
| | | | | (dBm) | (dBm) | (dBm) | |
| 1693.51 | -41.19 | 9.40 | 4.75 | -36.54 | -13.00 | -23.54 | H |
| 2539.79 | -40.15 | 10.60 | 8.39 | -37.94 | -13.00 | -24.94 | H |
| 3386.52 | -31.22 | 12.00 | 11.79 | -31.01 | -13.00 | -18.01 | H |
| 1693.51 | -43.64 | 9.40 | 4.75 | -38.99 | -13.00 | -25.99 | V |
| 2539.79 | -45.07 | 10.60 | 8.39 | -42.86 | -13.00 | -29.86 | V |
| 3386.52 | -43.12 | 12.00 | 11.79 | -42.91 | -13.00 | -29.91 | V |

LTE Band 2 / 1.4MHz / QPSK / RB Size 1 Offset 0/ The Worst Test Results for Lowest

| Frequency(MHz) | S | Ant(dBi) | Loss | PMea | Limit | Margin | Polarity |
|----------------|----------------|----------|-------|--------|--------|--------|----------|
| | G.Lev (dBm) | | | (dBm) | (dBm) | (dBm) | |
| 3701.05 | -34.32 | 12.60 | 12.93 | -34.65 | -13.00 | -21.65 | H |
| 5552.10 | -34.86 | 13.10 | 17.11 | -38.87 | -13.00 | -25.87 | H |
| 7402.77 | -32.40 | 11.50 | 22.20 | -43.10 | -13.00 | -30.10 | H |
| 3701.05 | -35.06 | 12.60 | 12.93 | -35.39 | -13.00 | -22.39 | V |
| 5552.10 | -34.95 | 13.10 | 17.11 | -38.96 | -13.00 | -25.96 | V |
| 7402.77 | -31.95 | 11.50 | 22.20 | -42.65 | -13.00 | -29.65 | V |

LTE Band 2 / 1.4MHz / QPSK / RB Size 1 Offset 0/ The Worst Test Results for Middle

| Frequency(MHz) | S | Ant(dBi) | Loss | PMea | Limit | Margin | Polarity |
|----------------|----------------|----------|-------|--------|--------|--------|----------|
| | G.Lev (dBm) | | | (dBm) | (dBm) | (dBm) | |
| 3759.80 | -34.87 | 12.60 | 12.93 | -35.20 | -13.00 | -22.20 | H |
| 5640.23 | -35.14 | 13.10 | 17.11 | -39.15 | -13.00 | -26.15 | H |
| 7519.99 | -33.43 | 11.50 | 22.20 | -44.13 | -13.00 | -31.13 | H |
| 3759.80 | -35.49 | 12.60 | 12.93 | -35.82 | -13.00 | -22.82 | V |
| 5640.23 | -34.07 | 13.10 | 17.11 | -38.08 | -13.00 | -25.08 | V |
| 7519.99 | -33.20 | 11.50 | 22.20 | -43.90 | -13.00 | -30.90 | V |

LTE Band 2 / 1.4MHz / QPSK / RB Size 1 Offset 0/ The Worst Test Results for Highest

| Frequency(MHz) | S | Ant(dBi) | Loss | PMea | Limit | Margin | Polarity |
|----------------|----------------|----------|-------|--------|--------|--------|----------|
| | G.Lev (dBm) | | | (dBm) | (dBm) | (dBm) | |
| 3818.48 | -34.76 | 12.60 | 12.93 | -35.09 | -13.00 | -22.09 | H |
| 5727.64 | -35.14 | 13.10 | 17.11 | -39.15 | -13.00 | -26.15 | H |
| 7637.20 | -33.62 | 11.50 | 22.20 | -44.32 | -13.00 | -31.32 | H |
| 3818.48 | -35.80 | 12.60 | 12.93 | -36.13 | -13.00 | -23.13 | V |
| 5727.64 | -34.26 | 13.10 | 17.11 | -38.27 | -13.00 | -25.27 | V |
| 7637.20 | -31.78 | 11.50 | 22.20 | -42.48 | -13.00 | -29.48 | V |

| LTE Band 2 / 3MHz / QPSK / RB Size 1 Offset 0/ The Worst Test Results for Lowest | | | | | | | |
|---|----------------|----------|-------|--------|--------|--------|----------|
| Frequency(MHz) | S | Ant(dBi) | Loss | PMea | Limit | Margin | Polarity |
| | G.Lev (dBm) | | | (dBm) | (dBm) | (dBm) | |
| 3703.19 | -33.54 | 12.60 | 12.93 | -33.87 | -13.00 | -20.87 | H |
| 5554.57 | -34.12 | 13.10 | 17.11 | -38.13 | -13.00 | -25.13 | H |
| 7406.01 | -32.69 | 11.50 | 22.20 | -43.39 | -13.00 | -30.39 | H |
| 3703.19 | -35.19 | 12.60 | 12.93 | -35.52 | -13.00 | -22.52 | V |
| 5554.57 | -34.93 | 13.10 | 17.11 | -38.94 | -13.00 | -25.94 | V |
| 7406.01 | -32.79 | 11.50 | 22.20 | -43.49 | -13.00 | -30.49 | V |
| LTE Band 2 / 3MHz / QPSK / RB Size 1 Offset 0/ The Worst Test Results for Middle | | | | | | | |
| Frequency(MHz) | S | Ant(dBi) | Loss | PMea | Limit | Margin | Polarity |
| | G.Lev (dBm) | | | (dBm) | (dBm) | (dBm) | |
| 3760.02 | -34.67 | 12.60 | 12.93 | -35.00 | -13.00 | -22.00 | H |
| 5640.05 | -34.73 | 13.10 | 17.11 | -38.74 | -13.00 | -25.74 | H |
| 7520.28 | -32.44 | 11.50 | 22.20 | -43.14 | -13.00 | -30.14 | H |
| 3760.02 | -35.47 | 12.60 | 12.93 | -35.80 | -13.00 | -22.80 | V |
| 5640.05 | -35.25 | 13.10 | 17.11 | -39.26 | -13.00 | -26.26 | V |
| 7520.28 | -32.53 | 11.50 | 22.20 | -43.23 | -13.00 | -30.23 | V |
| LTE Band 2 / 3MHz / QPSK / RB Size 1 Offset 0/ The Worst Test Results for Highest | | | | | | | |
| Frequency(MHz) | S | Ant(dBi) | Loss | PMea | Limit | Margin | Polarity |
| | G.Lev (dBm) | | | (dBm) | (dBm) | (dBm) | |
| 3817.11 | -33.50 | 12.60 | 12.93 | -33.83 | -13.00 | -20.83 | H |
| 5725.67 | -34.57 | 13.10 | 17.11 | -38.58 | -13.00 | -25.58 | H |
| 7633.88 | -32.59 | 11.50 | 22.20 | -43.29 | -13.00 | -30.29 | H |
| 3817.11 | -34.86 | 12.60 | 12.93 | -35.19 | -13.00 | -22.19 | V |
| 5725.67 | -33.77 | 13.10 | 17.11 | -37.78 | -13.00 | -24.78 | V |
| 7633.88 | -32.50 | 11.50 | 22.20 | -43.20 | -13.00 | -30.20 | V |

| LTE Band 2 / 5MHz / QPSK / RB Size 1 Offset 0/ The Worst Test Results for Lowest | | | | | | | |
|--|---------------|----------|-------|--------|---------|--------|----------|
| Frequency(MHz) | S G.Lev (dBm) | Ant(dBi) | Loss | PMea | Limit | Margin | Polarity |
| | | | | (dBm) | (dBm) | (dBm) | |
| 3705.39 | -34.31 | 12.60 | 12.93 | -34.64 | -13.00 | -21.64 | H |
| 5557.15 | -34.40 | 13.10 | 17.11 | -38.41 | -13.00 | -25.41 | H |
| 7410.01 | -32.79 | 11.50 | 22.20 | -43.49 | -13.00 | -30.49 | H |
| 3705.39 | -34.90 | 12.60 | 12.93 | -35.23 | -13.00 | -22.23 | V |
| 5557.15 | -34.38 | 13.10 | 17.11 | -38.39 | -13.00 | -25.39 | V |
| 7410.01 | -32.55 | 11.50 | 22.20 | -43.25 | -13.00 | -30.25 | V |
| LTE Band 2 / 5MHz / QPSK / RB Size 1 Offset 0/ The Worst Test Results for Middle | | | | | | | |
| Frequency(MHz) | S G.Lev (dBm) | Ant(dBi) | Loss | PMea | Limit | Margin | Polarity |
| | | | | (dBm) | (dBm) | (dBm) | |
| 3759.84 | -34.01 | 12.60 | 12.93 | -34.34 | -13.00 | -21.34 | H |
| 5640.02 | -34.80 | 13.10 | 17.11 | -38.81 | -13.00 | -25.81 | H |
| 7520.23 | -32.40 | 11.50 | 22.20 | -43.10 | -13.00 | -30.10 | H |
| 3759.84 | -34.60 | 12.60 | 12.93 | -34.93 | -13.00 | -21.93 | V |
| 5640.02 | -35.05 | 13.10 | 17.11 | -39.06 | -13.00 | -26.06 | V |
| 7520.23 | -31.94 | 11.50 | 22.20 | -42.64 | -13.00 | -29.64 | V |
| LTE Band 2 / 5MHz / QPSK / RB Size 1 Offset 0/ The Worst Test Results for Highest | | | | | | | |
| Frequency(MHz) | S G.Lev (dBm) | Ant(dBi) | Loss | PMea | Limit | Margin | Polarity |
| | | | | (dBm) | (dBm) | (dBm) | |
| 3814.96 | -34.84 | 12.60 | 12.93 | -35.17 | -13.00 | -22.17 | H |
| 5722.37 | -35.15 | 13.10 | 17.11 | -39.16 | -13.00 | -26.16 | H |
| 7630.02 | -33.12 | 11.50 | 22.20 | -43.82 | -13.00 | -30.82 | H |
| 3814.96 | -34.92 | 12.60 | 12.93 | -35.25 | -13.00 | -22.25 | V |
| 5722.37 | -35.19 | 13.10 | 17.11 | -39.20 | -13.00 | -26.20 | V |
| 7630.02 | -33.03 | 11.50 | 22.20 | -43.73 | -13.00 | -30.73 | V |

| LTE Band 2 / 10MHz / QPSK / RB Size 1 Offset 0/ The Worst Test Results for Lowest | | | | | | | |
|--|----------------|----------|-------|--------|--------|--------|----------|
| Frequency(MHz) | S | Ant(dBi) | Loss | PMea | Limit | Margin | Polarity |
| | G.Lev (dBm) | | | (dBm) | (dBm) | (dBm) | |
| 3710.18 | -34.90 | 12.60 | 12.93 | -35.23 | -13.00 | -22.23 | H |
| 5565.27 | -34.47 | 13.10 | 17.11 | -38.48 | -13.00 | -25.48 | H |
| 7420.03 | -33.22 | 11.50 | 22.20 | -43.92 | -13.00 | -30.92 | H |
| 3710.18 | -34.93 | 12.60 | 12.93 | -35.26 | -13.00 | -22.26 | V |
| 5565.27 | -34.70 | 13.10 | 17.11 | -38.71 | -13.00 | -25.71 | V |
| 7420.03 | -32.77 | 11.50 | 22.20 | -43.47 | -13.00 | -30.47 | V |
| LTE Band 2 / 10MHz / QPSK / RB Size 1 Offset 0/ The Worst Test Results for Middle | | | | | | | |
| Frequency(MHz) | S | Ant(dBi) | Loss | PMea | Limit | Margin | Polarity |
| | G.Lev (dBm) | | | (dBm) | (dBm) | (dBm) | |
| 3759.86 | -34.45 | 12.60 | 12.93 | -34.78 | -13.00 | -21.78 | H |
| 5639.85 | -35.31 | 13.10 | 17.11 | -39.32 | -13.00 | -26.32 | H |
| 7519.91 | -32.61 | 11.50 | 22.20 | -43.31 | -13.00 | -30.31 | H |
| 3759.86 | -35.11 | 12.60 | 12.93 | -35.44 | -13.00 | -22.44 | V |
| 5639.85 | -34.73 | 13.10 | 17.11 | -38.74 | -13.00 | -25.74 | V |
| 7519.91 | -32.34 | 11.50 | 22.20 | -43.04 | -13.00 | -30.04 | V |
| LTE Band 2 / 10MHz / QPSK / RB Size 1 Offset 0/ The Worst Test Results for Highest | | | | | | | |
| Frequency(MHz) | S | Ant(dBi) | Loss | PMea | Limit | Margin | Polarity |
| | G.Lev (dBm) | | | (dBm) | (dBm) | (dBm) | |
| 3809.97 | -34.82 | 12.60 | 12.93 | -35.15 | -13.00 | -22.15 | H |
| 5714.83 | -34.80 | 13.10 | 17.11 | -38.81 | -13.00 | -25.81 | H |
| 7620.02 | -33.62 | 11.50 | 22.20 | -44.32 | -13.00 | -31.32 | H |
| 3809.97 | -35.97 | 12.60 | 12.93 | -36.30 | -13.00 | -23.30 | V |
| 5714.83 | -34.75 | 13.10 | 17.11 | -38.76 | -13.00 | -25.76 | V |
| 7620.02 | -32.44 | 11.50 | 22.20 | -43.14 | -13.00 | -30.14 | V |

LTE Band 2 / 15MHz / QPSK / RB Size 1 Offset 0/ The Worst Test Results for Lowest

| Frequency(MHz) | S | Ant(dBi) | Loss | PMea | Limit | Margin | Polarity |
|----------------|----------------|----------|-------|--------|--------|--------|----------|
| | G.Lev (dBm) | | | (dBm) | (dBm) | (dBm) | |
| 3715.28 | -34.52 | 12.60 | 12.93 | -34.85 | -13.00 | -21.85 | H |
| 5572.47 | -35.04 | 13.10 | 17.11 | -39.05 | -13.00 | -26.05 | H |
| 7430.47 | -32.17 | 11.50 | 22.20 | -42.87 | -13.00 | -29.87 | H |
| 3715.28 | -34.60 | 12.60 | 12.93 | -34.93 | -13.00 | -21.93 | V |
| 5572.47 | -34.35 | 13.10 | 17.11 | -38.36 | -13.00 | -25.36 | V |
| 7430.47 | -32.84 | 11.50 | 22.20 | -43.54 | -13.00 | -30.54 | V |

LTE Band 2 / 15MHz / QPSK / RB Size 1 Offset 0/ The Worst Test Results for Middle

| Frequency(MHz) | S | Ant(dBi) | Loss | PMea | Limit | Margin | Polarity |
|----------------|----------------|----------|-------|--------|--------|--------|----------|
| | G.Lev (dBm) | | | (dBm) | (dBm) | (dBm) | |
| 3760.22 | -34.48 | 12.60 | 12.93 | -34.81 | -13.00 | -21.81 | H |
| 5640.10 | -34.33 | 13.10 | 17.11 | -38.34 | -13.00 | -25.34 | H |
| 7520.01 | -33.26 | 11.50 | 22.20 | -43.96 | -13.00 | -30.96 | H |
| 3760.22 | -35.03 | 12.60 | 12.93 | -35.36 | -13.00 | -22.36 | V |
| 5640.10 | -34.55 | 13.10 | 17.11 | -38.56 | -13.00 | -25.56 | V |
| 7520.01 | -32.74 | 11.50 | 22.20 | -43.44 | -13.00 | -30.44 | V |

LTE Band 2 / 15MHz / QPSK / RB Size 1 Offset 0/ The Worst Test Results for Highest

| Frequency(MHz) | S | Ant(dBi) | Loss | PMea | Limit | Margin | Polarity |
|----------------|----------------|----------|-------|--------|--------|--------|----------|
| | G.Lev (dBm) | | | (dBm) | (dBm) | (dBm) | |
| 3805.04 | -34.63 | 12.60 | 12.93 | -34.96 | -13.00 | -21.96 | H |
| 5707.37 | -35.20 | 13.10 | 17.11 | -39.21 | -13.00 | -26.21 | H |
| 7610.13 | -33.65 | 11.50 | 22.20 | -44.35 | -13.00 | -31.35 | H |
| 3805.04 | -35.90 | 12.60 | 12.93 | -36.23 | -13.00 | -23.23 | V |
| 5707.37 | -34.87 | 13.10 | 17.11 | -38.88 | -13.00 | -25.88 | V |
| 7610.13 | -31.95 | 11.50 | 22.20 | -42.65 | -13.00 | -29.65 | V |

| LTE Band 2 / 20MHz / QPSK / RB Size 1 Offset 0/ The Worst Test Results for Lowest | | | | | | | |
|--|----------------|----------|-------|--------|--------|--------|----------|
| Frequency(MHz) | S | Ant(dBi) | Loss | PMea | Limit | Margin | Polarity |
| | G.Lev (dBm) | | | (dBm) | (dBm) | (dBm) | |
| 3720.07 | -34.89 | 12.60 | 12.93 | -35.22 | -13.00 | -22.22 | H |
| 5580.22 | -34.03 | 13.10 | 17.11 | -38.04 | -13.00 | -25.04 | H |
| 7439.79 | -32.89 | 11.50 | 22.20 | -43.59 | -13.00 | -30.59 | H |
| 3720.07 | -35.48 | 12.60 | 12.93 | -35.81 | -13.00 | -22.81 | V |
| 5580.22 | -34.97 | 13.10 | 17.11 | -38.98 | -13.00 | -25.98 | V |
| 7439.79 | -31.77 | 11.50 | 22.20 | -42.47 | -13.00 | -29.47 | V |
| LTE Band 2 / 20MHz / QPSK / RB Size 1 Offset 0/ The Worst Test Results for Middle | | | | | | | |
| Frequency(MHz) | S | Ant(dBi) | Loss | PMea | Limit | Margin | Polarity |
| | G.Lev (dBm) | | | (dBm) | (dBm) | (dBm) | |
| 3759.96 | -33.84 | 12.60 | 12.93 | -34.17 | -13.00 | -21.17 | H |
| 5640.12 | -35.43 | 13.10 | 17.11 | -39.44 | -13.00 | -26.44 | H |
| 7519.93 | -32.95 | 11.50 | 22.20 | -43.65 | -13.00 | -30.65 | H |
| 3759.96 | -35.26 | 12.60 | 12.93 | -35.59 | -13.00 | -22.59 | V |
| 5640.12 | -34.71 | 13.10 | 17.11 | -38.72 | -13.00 | -25.72 | V |
| 7519.93 | -31.98 | 11.50 | 22.20 | -42.68 | -13.00 | -29.68 | V |
| LTE Band 2 / 20MHz / QPSK / RB Size 1 Offset 0/ The Worst Test Results for Highest | | | | | | | |
| Frequency(MHz) | S | Ant(dBi) | Loss | PMea | Limit | Margin | Polarity |
| | G.Lev (dBm) | | | (dBm) | (dBm) | (dBm) | |
| 3800.15 | -34.44 | 12.60 | 12.93 | -34.77 | -13.00 | -21.77 | H |
| 5699.99 | -35.34 | 13.10 | 17.11 | -39.35 | -13.00 | -26.35 | H |
| 7599.86 | -33.52 | 11.50 | 22.20 | -44.22 | -13.00 | -31.22 | H |
| 3800.15 | -34.82 | 12.60 | 12.93 | -35.15 | -13.00 | -22.15 | V |
| 5699.99 | -33.78 | 13.10 | 17.11 | -37.79 | -13.00 | -24.79 | V |
| 7599.86 | -32.81 | 11.50 | 22.20 | -43.51 | -13.00 | -30.51 | V |

LTE Band 4 / 1.4MHz / QPSK / RB Size 1 Offset 0/ The Worst Test Results for Lowest

| Frequency(MHz) | S | Ant(dBi) | Loss | PMea | Limit | Margin | Polarity |
|----------------|----------------|----------|-------|--------|--------|--------|----------|
| | G.Lev (dBm) | | | (dBm) | (dBm) | (dBm) | |
| 3420.98 | -33.94 | 12.90 | 12.56 | -33.60 | -13.00 | -20.60 | H |
| 5131.74 | -35.36 | 13.10 | 16.32 | -38.58 | -13.00 | -25.58 | H |
| 6842.46 | -32.64 | 12.33 | 21.13 | -41.44 | -13.00 | -28.44 | H |
| 3420.98 | -35.71 | 12.90 | 12.56 | -35.37 | -13.00 | -22.37 | V |
| 5131.74 | -34.08 | 13.10 | 16.32 | -37.30 | -13.00 | -24.30 | V |
| 6842.46 | -32.28 | 12.33 | 21.13 | -41.08 | -13.00 | -28.08 | V |

LTE Band 4 / 1.4MHz / QPSK / RB Size 1 Offset 0/ The Worst Test Results for Middle

| Frequency(MHz) | S | Ant(dBi) | Loss | PMea | Limit | Margin | Polarity |
|----------------|----------------|----------|-------|--------|--------|--------|----------|
| | G.Lev (dBm) | | | (dBm) | (dBm) | (dBm) | |
| 3464.96 | -33.81 | 12.90 | 12.56 | -33.47 | -13.00 | -20.47 | H |
| 5196.64 | -35.07 | 13.10 | 16.32 | -38.29 | -13.00 | -25.29 | H |
| 6929.92 | -33.54 | 12.33 | 21.13 | -42.34 | -13.00 | -29.34 | H |
| 3464.96 | -34.92 | 12.90 | 12.56 | -34.58 | -13.00 | -21.58 | V |
| 5196.64 | -34.59 | 13.10 | 16.32 | -37.81 | -13.00 | -24.81 | V |
| 6929.92 | -32.70 | 12.33 | 21.13 | -41.50 | -13.00 | -28.50 | V |

LTE Band 4 / 1.4MHz / QPSK / RB Size 1 Offset 0/ The Worst Test Results for Highest

| Frequency(MHz) | S | Ant(dBi) | Loss | PMea | Limit | Margin | Polarity |
|----------------|----------------|----------|-------|--------|--------|--------|----------|
| | G.Lev (dBm) | | | (dBm) | (dBm) | (dBm) | |
| 3508.09 | -34.30 | 12.90 | 12.56 | -33.96 | -13.00 | -20.96 | H |
| 5262.25 | -34.10 | 13.10 | 16.32 | -37.32 | -13.00 | -24.32 | H |
| 7015.74 | -32.49 | 12.33 | 21.13 | -41.29 | -13.00 | -28.29 | H |
| 3508.09 | -34.68 | 12.90 | 12.56 | -34.34 | -13.00 | -21.34 | V |
| 5262.25 | -33.96 | 13.10 | 16.32 | -37.18 | -13.00 | -24.18 | V |
| 7015.74 | -32.59 | 12.33 | 21.13 | -41.39 | -13.00 | -28.39 | V |

| LTE Band 4 / 3MHz / QPSK / RB Size 1 Offset 0/ The Worst Test Results for Lowest | | | | | | | |
|---|----------------|----------|-------|--------|--------|--------|----------|
| Frequency(MHz) | S | Ant(dBi) | Loss | PMea | Limit | Margin | Polarity |
| | G.Lev (dBm) | | | (dBm) | (dBm) | (dBm) | |
| 3423.71 | -34.45 | 12.90 | 12.56 | -34.11 | -13.00 | -21.11 | H |
| 5136.13 | -35.26 | 13.10 | 16.32 | -38.48 | -13.00 | -25.48 | H |
| 6848.70 | -32.91 | 12.33 | 21.13 | -41.71 | -13.00 | -28.71 | H |
| 3423.71 | -34.80 | 12.90 | 12.56 | -34.46 | -13.00 | -21.46 | V |
| 5136.13 | -34.48 | 13.10 | 16.32 | -37.70 | -13.00 | -24.70 | V |
| 6848.70 | -32.95 | 12.33 | 21.13 | -41.75 | -13.00 | -28.75 | V |
| LTE Band 4 / 3MHz / QPSK / RB Size 1 Offset 0/ The Worst Test Results for Middle | | | | | | | |
| Frequency(MHz) | S | Ant(dBi) | Loss | PMea | Limit | Margin | Polarity |
| | G.Lev (dBm) | | | (dBm) | (dBm) | (dBm) | |
| 3464.59 | -34.77 | 12.90 | 12.56 | -34.43 | -13.00 | -21.43 | H |
| 5196.64 | -34.26 | 13.10 | 16.32 | -37.48 | -13.00 | -24.48 | H |
| 6929.99 | -33.02 | 12.33 | 21.13 | -41.82 | -13.00 | -28.82 | H |
| 3464.59 | -35.14 | 12.90 | 12.56 | -34.80 | -13.00 | -21.80 | V |
| 5196.64 | -34.25 | 13.10 | 16.32 | -37.47 | -13.00 | -24.47 | V |
| 6929.99 | -32.69 | 12.33 | 21.13 | -41.49 | -13.00 | -28.49 | V |
| LTE Band 4 / 3MHz / QPSK / RB Size 1 Offset 0/ The Worst Test Results for Highest | | | | | | | |
| Frequency(MHz) | S | Ant(dBi) | Loss | PMea | Limit | Margin | Polarity |
| | G.Lev (dBm) | | | (dBm) | (dBm) | (dBm) | |
| 3506.15 | -33.95 | 12.90 | 12.56 | -33.61 | -13.00 | -20.61 | H |
| 5261.62 | -35.03 | 13.10 | 16.32 | -38.25 | -13.00 | -25.25 | H |
| 7012.71 | -33.07 | 12.33 | 21.13 | -41.87 | -13.00 | -28.87 | H |
| 3506.15 | -35.22 | 12.90 | 12.56 | -34.88 | -13.00 | -21.88 | V |
| 5261.62 | -35.17 | 13.10 | 16.32 | -38.39 | -13.00 | -25.39 | V |
| 7012.71 | -31.88 | 12.33 | 21.13 | -40.68 | -13.00 | -27.68 | V |

| LTE Band 4 / 5MHz / QPSK / RB Size 1 Offset 0/ The Worst Test Results for Lowest | | | | | | | |
|---|----------------|----------|-------|--------|--------|--------|----------|
| Frequency(MHz) | S | Ant(dBi) | Loss | PMea | Limit | Margin | Polarity |
| | G.Lev (dBm) | | | (dBm) | (dBm) | (dBm) | |
| 3425.02 | -33.73 | 12.90 | 12.56 | -33.39 | -13.00 | -20.39 | H |
| 5137.08 | -34.44 | 13.10 | 16.32 | -37.66 | -13.00 | -24.66 | H |
| 6849.95 | -32.34 | 12.33 | 21.13 | -41.14 | -13.00 | -28.14 | H |
| 3425.02 | -34.84 | 12.90 | 12.56 | -34.50 | -13.00 | -21.50 | V |
| 5137.08 | -33.78 | 13.10 | 16.32 | -37.00 | -13.00 | -24.00 | V |
| 6849.95 | -33.08 | 12.33 | 21.13 | -41.88 | -13.00 | -28.88 | V |
| LTE Band 4 / 5MHz / QPSK / RB Size 1 Offset 0/ The Worst Test Results for Middle | | | | | | | |
| Frequency(MHz) | S | Ant(dBi) | Loss | PMea | Limit | Margin | Polarity |
| | G.Lev (dBm) | | | (dBm) | (dBm) | (dBm) | |
| 3464.70 | -33.74 | 12.90 | 12.56 | -33.40 | -13.00 | -20.40 | H |
| 5196.69 | -34.74 | 13.10 | 16.32 | -37.96 | -13.00 | -24.96 | H |
| 6929.66 | -33.38 | 12.33 | 21.13 | -42.18 | -13.00 | -29.18 | H |
| 3464.70 | -35.02 | 12.90 | 12.56 | -34.68 | -13.00 | -21.68 | V |
| 5196.69 | -34.93 | 13.10 | 16.32 | -38.15 | -13.00 | -25.15 | V |
| 6929.66 | -31.79 | 12.33 | 21.13 | -40.59 | -13.00 | -27.59 | V |
| LTE Band 4 / 5MHz / QPSK / RB Size 1 Offset 0/ The Worst Test Results for Highest | | | | | | | |
| Frequency(MHz) | S | Ant(dBi) | Loss | PMea | Limit | Margin | Polarity |
| | G.Lev (dBm) | | | (dBm) | (dBm) | (dBm) | |
| 3505.28 | -34.70 | 12.90 | 12.56 | -34.36 | -13.00 | -21.36 | H |
| 5256.99 | -34.17 | 13.10 | 16.32 | -37.39 | -13.00 | -24.39 | H |
| 7010.11 | -33.63 | 12.33 | 21.13 | -42.43 | -13.00 | -29.43 | H |
| 3505.28 | -34.75 | 12.90 | 12.56 | -34.41 | -13.00 | -21.41 | V |
| 5256.99 | -34.13 | 13.10 | 16.32 | -37.35 | -13.00 | -24.35 | V |
| 7010.11 | -32.36 | 12.33 | 21.13 | -41.16 | -13.00 | -28.16 | V |

| LTE Band 4 / 10MHz / QPSK / RB Size 1 Offset 0/ The Worst Test Results for Lowest | | | | | | | |
|--|----------------|----------|-------|--------|--------|--------|----------|
| Frequency(MHz) | S | Ant(dBi) | Loss | PMea | Limit | Margin | Polarity |
| | G.Lev (dBm) | | | (dBm) | (dBm) | (dBm) | |
| 3429.85 | -34.01 | 12.90 | 12.56 | -33.67 | -13.00 | -20.67 | H |
| 5145.32 | -35.01 | 13.10 | 16.32 | -38.23 | -13.00 | -25.23 | H |
| 6860.15 | -33.58 | 12.33 | 21.13 | -42.38 | -13.00 | -29.38 | H |
| 3429.85 | -35.42 | 12.90 | 12.56 | -35.08 | -13.00 | -22.08 | V |
| 5145.32 | -35.00 | 13.10 | 16.32 | -38.22 | -13.00 | -25.22 | V |
| 6860.15 | -32.11 | 12.33 | 21.13 | -40.91 | -13.00 | -27.91 | V |
| LTE Band 4 / 10MHz / QPSK / RB Size 1 Offset 0/ The Worst Test Results for Middle | | | | | | | |
| Frequency(MHz) | S | Ant(dBi) | Loss | PMea | Limit | Margin | Polarity |
| | G.Lev (dBm) | | | (dBm) | (dBm) | (dBm) | |
| 3464.54 | -33.54 | 12.90 | 12.56 | -33.20 | -13.00 | -20.20 | H |
| 5196.79 | -34.46 | 13.10 | 16.32 | -37.68 | -13.00 | -24.68 | H |
| 6929.37 | -33.42 | 12.33 | 21.13 | -42.22 | -13.00 | -29.22 | H |
| 3464.54 | -35.05 | 12.90 | 12.56 | -34.71 | -13.00 | -21.71 | V |
| 5196.79 | -34.43 | 13.10 | 16.32 | -37.65 | -13.00 | -24.65 | V |
| 6929.37 | -32.40 | 12.33 | 21.13 | -41.20 | -13.00 | -28.20 | V |
| LTE Band 4 / 10MHz / QPSK / RB Size 1 Offset 0/ The Worst Test Results for Highest | | | | | | | |
| Frequency(MHz) | S | Ant(dBi) | Loss | PMea | Limit | Margin | Polarity |
| | G.Lev (dBm) | | | (dBm) | (dBm) | (dBm) | |
| 3500.38 | -34.20 | 12.90 | 12.56 | -33.86 | -13.00 | -20.86 | H |
| 5249.99 | -34.62 | 13.10 | 16.32 | -37.84 | -13.00 | -24.84 | H |
| 6999.91 | -32.77 | 12.33 | 21.13 | -41.57 | -13.00 | -28.57 | H |
| 3500.38 | -35.70 | 12.90 | 12.56 | -35.36 | -13.00 | -22.36 | V |
| 5249.99 | -34.84 | 13.10 | 16.32 | -38.06 | -13.00 | -25.06 | V |
| 6999.91 | -32.98 | 12.33 | 21.13 | -41.78 | -13.00 | -28.78 | V |

LTE Band 4 / 15MHz / QPSK / RB Size 1 Offset 0/ The Worst Test Results for Lowest

| Frequency(MHz) | S | Ant(dBi) | Loss | PMea | Limit | Margin | Polarity |
|----------------|----------------|----------|-------|--------|--------|--------|----------|
| | G.Lev (dBm) | | | (dBm) | (dBm) | (dBm) | |
| 3434.61 | -34.91 | 12.90 | 12.56 | -34.57 | -13.00 | -21.57 | H |
| 5152.53 | -34.66 | 13.10 | 16.32 | -37.88 | -13.00 | -24.88 | H |
| 6870.62 | -33.32 | 12.33 | 21.13 | -42.12 | -13.00 | -29.12 | H |
| 3434.61 | -35.63 | 12.90 | 12.56 | -35.29 | -13.00 | -22.29 | V |
| 5152.53 | -35.24 | 13.10 | 16.32 | -38.46 | -13.00 | -25.46 | V |
| 6870.62 | -31.76 | 12.33 | 21.13 | -40.56 | -13.00 | -27.56 | V |

LTE Band 4 / 15MHz / QPSK / RB Size 1 Offset 0/ The Worst Test Results for Middle

| Frequency(MHz) | S | Ant(dBi) | Loss | PMea | Limit | Margin | Polarity |
|----------------|----------------|----------|-------|--------|--------|--------|----------|
| | G.Lev (dBm) | | | (dBm) | (dBm) | (dBm) | |
| 3465.01 | -34.44 | 12.90 | 12.56 | -34.10 | -13.00 | -21.10 | H |
| 5196.80 | -35.20 | 13.10 | 16.32 | -38.42 | -13.00 | -25.42 | H |
| 6930.14 | -32.56 | 12.33 | 21.13 | -41.36 | -13.00 | -28.36 | H |
| 3465.01 | -35.54 | 12.90 | 12.56 | -35.20 | -13.00 | -22.20 | V |
| 5196.80 | -34.35 | 13.10 | 16.32 | -37.57 | -13.00 | -24.57 | V |
| 6930.14 | -32.44 | 12.33 | 21.13 | -41.24 | -13.00 | -28.24 | V |

LTE Band 4 / 15MHz / QPSK / RB Size 1 Offset 0/ The Worst Test Results for Highest

| Frequency(MHz) | S | Ant(dBi) | Loss | PMea | Limit | Margin | Polarity |
|----------------|----------------|----------|-------|--------|--------|--------|----------|
| | G.Lev (dBm) | | | (dBm) | (dBm) | (dBm) | |
| 3495.19 | -34.42 | 12.90 | 12.56 | -34.08 | -13.00 | -21.08 | H |
| 5242.10 | -34.21 | 13.10 | 16.32 | -37.43 | -13.00 | -24.43 | H |
| 6989.90 | -33.10 | 12.33 | 21.13 | -41.90 | -13.00 | -28.90 | H |
| 3495.19 | -35.65 | 12.90 | 12.56 | -35.31 | -13.00 | -22.31 | V |
| 5242.10 | -35.12 | 13.10 | 16.32 | -38.34 | -13.00 | -25.34 | V |
| 6989.90 | -31.71 | 12.33 | 21.13 | -40.51 | -13.00 | -27.51 | V |

| LTE Band 4 / 20MHz / QPSK / RB Size 1 Offset 0/ The Worst Test Results for Lowest | | | | | | | |
|--|----------------|----------|-------|--------|--------|--------|----------|
| Frequency(MHz) | S | Ant(dBi) | Loss | PMea | Limit | Margin | Polarity |
| | G.Lev (dBm) | | | (dBm) | (dBm) | (dBm) | |
| 3440.01 | -34.44 | 12.90 | 12.56 | -34.10 | -13.00 | -21.10 | H |
| 5160.24 | -35.37 | 13.10 | 16.32 | -38.59 | -13.00 | -25.59 | H |
| 6880.76 | -33.43 | 12.33 | 21.13 | -42.23 | -13.00 | -29.23 | H |
| 3440.01 | -35.73 | 12.90 | 12.56 | -35.39 | -13.00 | -22.39 | V |
| 5160.24 | -34.53 | 13.10 | 16.32 | -37.75 | -13.00 | -24.75 | V |
| 6880.76 | -32.85 | 12.33 | 21.13 | -41.65 | -13.00 | -28.65 | V |
| LTE Band 4 / 20MHz / QPSK / RB Size 1 Offset 0/ The Worst Test Results for Middle | | | | | | | |
| Frequency(MHz) | S | Ant(dBi) | Loss | PMea | Limit | Margin | Polarity |
| | G.Lev (dBm) | | | (dBm) | (dBm) | (dBm) | |
| 3465.01 | -34.84 | 12.90 | 12.56 | -34.50 | -13.00 | -21.50 | H |
| 5196.80 | -35.03 | 13.10 | 16.32 | -38.25 | -13.00 | -25.25 | H |
| 6929.58 | -32.79 | 12.33 | 21.13 | -41.59 | -13.00 | -28.59 | H |
| 3465.01 | -34.78 | 12.90 | 12.56 | -34.44 | -13.00 | -21.44 | V |
| 5196.80 | -34.59 | 13.10 | 16.32 | -37.81 | -13.00 | -24.81 | V |
| 6929.58 | -31.87 | 12.33 | 21.13 | -40.67 | -13.00 | -27.67 | V |
| LTE Band 4 / 20MHz / QPSK / RB Size 1 Offset 0/ The Worst Test Results for Highest | | | | | | | |
| Frequency(MHz) | S | Ant(dBi) | Loss | PMea | Limit | Margin | Polarity |
| | G.Lev (dBm) | | | (dBm) | (dBm) | (dBm) | |
| 3490.42 | -33.49 | 12.90 | 12.56 | -33.15 | -13.00 | -20.15 | H |
| 5235.05 | -35.29 | 13.10 | 16.32 | -38.51 | -13.00 | -25.51 | H |
| 6979.51 | -32.16 | 12.33 | 21.13 | -40.96 | -13.00 | -27.96 | H |
| 3490.42 | -35.66 | 12.90 | 12.56 | -35.32 | -13.00 | -22.32 | V |
| 5235.05 | -34.59 | 13.10 | 16.32 | -37.81 | -13.00 | -24.81 | V |
| 6979.51 | -33.12 | 12.33 | 21.13 | -41.92 | -13.00 | -28.92 | V |

| LTE Band 5 / 1.4MHz / QPSK / RB Size 1 Offset 0/ The Worst Test Results for Lowest | | | | | | | |
|--|----------------|----------|-------|--------|--------|--------|----------|
| Frequency(MHz) | S | Ant(dBi) | Loss | PMea | Limit | Margin | Polarity |
| | G.Lev (dBm) | | | (dBm) | (dBm) | (dBm) | |
| 1648.88 | -34.75 | 9.56 | 9.72 | -34.91 | -13.00 | -21.91 | H |
| 2473.63 | -35.35 | 10.50 | 10.86 | -35.71 | -13.00 | -22.71 | H |
| 3298.30 | -32.22 | 12.78 | 11.57 | -31.01 | -13.00 | -18.01 | H |
| 1648.88 | -35.26 | 9.56 | 9.72 | -35.42 | -13.00 | -22.42 | V |
| 2473.63 | -35.18 | 10.50 | 10.86 | -35.54 | -13.00 | -22.54 | V |
| 3298.30 | -31.86 | 12.78 | 11.57 | -30.65 | -13.00 | -17.65 | V |
| LTE Band 5 / 1.4MHz / QPSK / RB Size 1 Offset 0/ The Worst Test Results for Middle | | | | | | | |
| Frequency(MHz) | S | Ant(dBi) | Loss | PMea | Limit | Margin | Polarity |
| | G.Lev (dBm) | | | (dBm) | (dBm) | (dBm) | |
| 1672.52 | -33.73 | 9.56 | 9.72 | -33.89 | -13.00 | -20.89 | H |
| 2509.23 | -34.25 | 10.50 | 10.86 | -34.61 | -13.00 | -21.61 | H |
| 3345.35 | -33.61 | 12.78 | 11.57 | -32.40 | -13.00 | -19.40 | H |
| 1672.52 | -35.84 | 9.56 | 9.72 | -36.00 | -13.00 | -23.00 | V |
| 2509.23 | -34.59 | 10.50 | 10.86 | -34.95 | -13.00 | -21.95 | V |
| 3345.35 | -33.02 | 12.78 | 11.57 | -31.81 | -13.00 | -18.81 | V |
| LTE Band 5 / 1.4MHz / QPSK / RB Size 1 Offset 0/ The Worst Test Results for Highest | | | | | | | |
| Frequency(MHz) | S | Ant(dBi) | Loss | PMea | Limit | Margin | Polarity |
| | G.Lev (dBm) | | | (dBm) | (dBm) | (dBm) | |
| 1695.95 | -34.43 | 9.56 | 9.72 | -34.59 | -13.00 | -21.59 | H |
| 2544.31 | -34.84 | 10.50 | 10.86 | -35.20 | -13.00 | -22.20 | H |
| 3392.93 | -32.54 | 12.78 | 11.57 | -31.33 | -13.00 | -18.33 | H |
| 1695.95 | -34.87 | 9.56 | 9.72 | -35.03 | -13.00 | -22.03 | V |
| 2544.31 | -34.75 | 10.50 | 10.86 | -35.11 | -13.00 | -22.11 | V |
| 3392.93 | -32.84 | 12.78 | 11.57 | -31.63 | -13.00 | -18.63 | V |

| LTE Band 5 / 3MHz / QPSK / RB Size 1 Offset 0/ The Worst Test Results for Lowest | | | | | | | |
|--|----------------|----------|-------|--------|--------|--------|----------|
| Frequency(MHz) | S | Ant(dBi) | Loss | PMea | Limit | Margin | Polarity |
| | G.Lev (dBm) | | | (dBm) | (dBm) | (dBm) | |
| 1650.44 | -34.61 | 9.56 | 9.72 | -34.77 | -13.00 | -21.77 | H |
| 2475.96 | -34.70 | 10.50 | 10.86 | -35.06 | -13.00 | -22.06 | H |
| 3301.44 | -33.35 | 12.78 | 11.57 | -32.14 | -13.00 | -19.14 | H |
| 1650.44 | -35.80 | 9.56 | 9.72 | -35.96 | -13.00 | -22.96 | V |
| 2475.96 | -35.08 | 10.50 | 10.86 | -35.44 | -13.00 | -22.44 | V |
| 3301.44 | -32.30 | 12.78 | 11.57 | -31.09 | -13.00 | -18.09 | V |
| LTE Band 5 / 3MHz / QPSK / RB Size 1 Offset 0/ The Worst Test Results for Middle | | | | | | | |
| Frequency(MHz) | S | Ant(dBi) | Loss | PMea | Limit | Margin | Polarity |
| | G.Lev (dBm) | | | (dBm) | (dBm) | (dBm) | |
| 1672.27 | -34.56 | 9.56 | 9.72 | -34.72 | -13.00 | -21.72 | H |
| 2508.85 | -34.27 | 10.50 | 10.86 | -34.63 | -13.00 | -21.63 | H |
| 3345.81 | -32.21 | 12.78 | 11.57 | -31.00 | -13.00 | -18.00 | H |
| 1672.27 | -35.88 | 9.56 | 9.72 | -36.04 | -13.00 | -23.04 | V |
| 2508.85 | -34.45 | 10.50 | 10.86 | -34.81 | -13.00 | -21.81 | V |
| 3345.81 | -32.88 | 12.78 | 11.57 | -31.67 | -13.00 | -18.67 | V |
| LTE Band 5 / 3MHz / QPSK / RB Size 1 Offset 0/ The Worst Test Results for Highest | | | | | | | |
| Frequency(MHz) | S | Ant(dBi) | Loss | PMea | Limit | Margin | Polarity |
| | G.Lev (dBm) | | | (dBm) | (dBm) | (dBm) | |
| 1694.63 | -33.72 | 9.56 | 9.72 | -33.88 | -13.00 | -20.88 | H |
| 2542.02 | -34.72 | 10.50 | 10.86 | -35.08 | -13.00 | -22.08 | H |
| 3389.18 | -32.19 | 12.78 | 11.57 | -30.98 | -13.00 | -17.98 | H |
| 1694.63 | -34.93 | 9.56 | 9.72 | -35.09 | -13.00 | -22.09 | V |
| 2542.02 | -35.15 | 10.50 | 10.86 | -35.51 | -13.00 | -22.51 | V |
| 3389.18 | -32.33 | 12.78 | 11.57 | -31.12 | -13.00 | -18.12 | V |

| LTE Band 5 / 5MHz / QPSK / RB Size 1 Offset 0/ The Worst Test Results for Lowest | | | | | | | |
|---|----------------|----------|-------|--------|--------|--------|----------|
| Frequency(MHz) | S | Ant(dBi) | Loss | PMea | Limit | Margin | Polarity |
| | G.Lev (dBm) | | | (dBm) | (dBm) | (dBm) | |
| 1652.25 | -33.74 | 9.56 | 9.72 | -33.90 | -13.00 | -20.90 | H |
| 2478.80 | -34.30 | 10.50 | 10.86 | -34.66 | -13.00 | -21.66 | H |
| 3305.65 | -33.11 | 12.78 | 11.57 | -31.90 | -13.00 | -18.90 | H |
| 1652.25 | -34.58 | 9.56 | 9.72 | -34.74 | -13.00 | -21.74 | V |
| 2478.80 | -34.27 | 10.50 | 10.86 | -34.63 | -13.00 | -21.63 | V |
| 3305.65 | -31.95 | 12.78 | 11.57 | -30.74 | -13.00 | -17.74 | V |
| LTE Band 5 / 5MHz / QPSK / RB Size 1 Offset 0/ The Worst Test Results for Middle | | | | | | | |
| Frequency(MHz) | S | Ant(dBi) | Loss | PMea | Limit | Margin | Polarity |
| | G.Lev (dBm) | | | (dBm) | (dBm) | (dBm) | |
| 1672.18 | -34.08 | 9.56 | 9.72 | -34.24 | -13.00 | -21.24 | H |
| 2508.59 | -34.72 | 10.50 | 10.86 | -35.08 | -13.00 | -22.08 | H |
| 3345.44 | -32.84 | 12.78 | 11.57 | -31.63 | -13.00 | -18.63 | H |
| 1672.18 | -35.51 | 9.56 | 9.72 | -35.67 | -13.00 | -22.67 | V |
| 2508.59 | -34.67 | 10.50 | 10.86 | -35.03 | -13.00 | -22.03 | V |
| 3345.44 | -31.75 | 12.78 | 11.57 | -30.54 | -13.00 | -17.54 | V |
| LTE Band 5 / 5MHz / QPSK / RB Size 1 Offset 0/ The Worst Test Results for Highest | | | | | | | |
| Frequency(MHz) | S | Ant(dBi) | Loss | PMea | Limit | Margin | Polarity |
| | G.Lev (dBm) | | | (dBm) | (dBm) | (dBm) | |
| 1692.30 | -33.90 | 9.56 | 9.72 | -34.06 | -13.00 | -21.06 | H |
| 2538.65 | -34.91 | 10.50 | 10.86 | -35.27 | -13.00 | -22.27 | H |
| 3385.76 | -33.06 | 12.78 | 11.57 | -31.85 | -13.00 | -18.85 | H |
| 1692.30 | -35.75 | 9.56 | 9.72 | -35.91 | -13.00 | -22.91 | V |
| 2538.65 | -34.85 | 10.50 | 10.86 | -35.21 | -13.00 | -22.21 | V |
| 3385.76 | -32.67 | 12.78 | 11.57 | -31.46 | -13.00 | -18.46 | V |

| LTE Band 5 / 10MHz / QPSK / RB Size 1 Offset 0/ The Worst Test Results for Lowest | | | | | | | |
|--|----------------|----------|-------|--------|--------|--------|----------|
| Frequency(MHz) | S | Ant(dBi) | Loss | PMea | Limit | Margin | Polarity |
| | G.Lev (dBm) | | | (dBm) | (dBm) | (dBm) | |
| 1657.94 | -33.58 | 9.56 | 9.72 | -33.74 | -13.00 | -20.74 | H |
| 2486.10 | -35.24 | 10.50 | 10.86 | -35.60 | -13.00 | -22.60 | H |
| 3315.18 | -32.18 | 12.78 | 11.57 | -30.97 | -13.00 | -17.97 | H |
| 1657.94 | -35.20 | 9.56 | 9.72 | -35.36 | -13.00 | -22.36 | V |
| 2486.10 | -34.89 | 10.50 | 10.86 | -35.25 | -13.00 | -22.25 | V |
| 3315.18 | -32.43 | 12.78 | 11.57 | -31.22 | -13.00 | -18.22 | V |
| LTE Band 5 / 10MHz / QPSK / RB Size 1 Offset 0/ The Worst Test Results for Middle | | | | | | | |
| Frequency(MHz) | S | Ant(dBi) | Loss | PMea | Limit | Margin | Polarity |
| | G.Lev (dBm) | | | (dBm) | (dBm) | (dBm) | |
| 1672.40 | -34.54 | 9.56 | 9.72 | -34.70 | -13.00 | -21.70 | H |
| 2508.90 | -35.21 | 10.50 | 10.86 | -35.57 | -13.00 | -22.57 | H |
| 3345.47 | -32.77 | 12.78 | 11.57 | -31.56 | -13.00 | -18.56 | H |
| 1672.40 | -34.86 | 9.56 | 9.72 | -35.02 | -13.00 | -22.02 | V |
| 2508.90 | -34.50 | 10.50 | 10.86 | -34.86 | -13.00 | -21.86 | V |
| 3345.47 | -33.06 | 12.78 | 11.57 | -31.85 | -13.00 | -18.85 | V |
| LTE Band 5 / 10MHz / QPSK / RB Size 1 Offset 0/ The Worst Test Results for Highest | | | | | | | |
| Frequency(MHz) | S | Ant(dBi) | Loss | PMea | Limit | Margin | Polarity |
| | G.Lev (dBm) | | | (dBm) | (dBm) | (dBm) | |
| 1687.36 | -34.12 | 9.56 | 9.72 | -34.28 | -13.00 | -21.28 | H |
| 2531.43 | -34.51 | 10.50 | 10.86 | -34.87 | -13.00 | -21.87 | H |
| 3375.88 | -33.62 | 12.78 | 11.57 | -32.41 | -13.00 | -19.41 | H |
| 1687.36 | -34.62 | 9.56 | 9.72 | -34.78 | -13.00 | -21.78 | V |
| 2531.43 | -34.07 | 10.50 | 10.86 | -34.43 | -13.00 | -21.43 | V |
| 3375.88 | -32.90 | 12.78 | 11.57 | -31.69 | -13.00 | -18.69 | V |

| LTE Band 12 / 1.4MHz / QPSK / RB Size 1 Offset 0/ The Worst Test Results for Lowest | | | | | | | |
|---|----------------|----------|-------|--------|--------|--------|----------|
| Frequency(MHz) | S | Ant(dBi) | Loss | PMea | Limit | Margin | Polarity |
| | G.Lev (dBm) | | | (dBm) | (dBm) | (dBm) | |
| 1399.38 | -33.79 | 8.17 | 9.34 | -34.96 | -13.00 | -21.96 | H |
| 2098.75 | -34.31 | 9.53 | 10.42 | -35.20 | -13.00 | -22.20 | H |
| 2798.55 | -32.66 | 11.27 | 11.12 | -32.51 | -13.00 | -19.51 | H |
| 1399.38 | -34.57 | 8.17 | 9.34 | -35.74 | -13.00 | -22.74 | V |
| 2098.75 | -34.60 | 9.53 | 10.42 | -35.49 | -13.00 | -22.49 | V |
| 2798.55 | -31.78 | 11.27 | 11.12 | -31.63 | -13.00 | -18.63 | V |
| LTE Band 12 / 1.4MHz / QPSK / RB Size 1 Offset 0/ The Worst Test Results for Middle | | | | | | | |
| Frequency(MHz) | S | Ant(dBi) | Loss | PMea | Limit | Margin | Polarity |
| | G.Lev (dBm) | | | (dBm) | (dBm) | (dBm) | |
| 1414.58 | -34.29 | 8.17 | 9.34 | -35.46 | -13.00 | -22.46 | H |
| 2122.14 | -35.47 | 9.53 | 10.42 | -36.36 | -13.00 | -23.36 | H |
| 2829.99 | -32.92 | 11.27 | 11.12 | -32.77 | -13.00 | -19.77 | H |
| 1414.58 | -35.27 | 8.17 | 9.34 | -36.44 | -13.00 | -23.44 | V |
| 2122.14 | -34.01 | 9.53 | 10.42 | -34.90 | -13.00 | -21.90 | V |
| 2829.99 | -32.87 | 11.27 | 11.12 | -32.72 | -13.00 | -19.72 | V |
| LTE Band 12 / 1.4MHz / QPSK / RB Size 1 Offset 0/ The Worst Test Results for Highest | | | | | | | |
| Frequency(MHz) | S | Ant(dBi) | Loss | PMea | Limit | Margin | Polarity |
| | G.Lev (dBm) | | | (dBm) | (dBm) | (dBm) | |
| 1430.14 | -33.71 | 8.17 | 9.34 | -34.88 | -13.00 | -21.88 | H |
| 2145.79 | -34.08 | 9.53 | 10.42 | -34.97 | -13.00 | -21.97 | H |
| 2860.76 | -33.36 | 11.27 | 11.12 | -33.21 | -13.00 | -20.21 | H |
| 1430.14 | -34.70 | 8.17 | 9.34 | -35.87 | -13.00 | -22.87 | V |
| 2145.79 | -34.95 | 9.53 | 10.42 | -35.84 | -13.00 | -22.84 | V |
| 2860.76 | -32.02 | 11.27 | 11.12 | -31.87 | -13.00 | -18.87 | V |

| LTE Band 12 / 3MHz / QPSK / RB Size 1 Offset 0/ The Worst Test Results for Lowest | | | | | | | |
|--|----------------|----------|-------|--------|--------|--------|----------|
| Frequency(MHz) | S | Ant(dBi) | Loss | PMea | Limit | Margin | Polarity |
| | G.Lev (dBm) | | | (dBm) | (dBm) | (dBm) | |
| 1400.81 | -34.00 | 8.17 | 9.34 | -35.17 | -13.00 | -22.17 | H |
| 2101.32 | -35.09 | 9.53 | 10.42 | -35.98 | -13.00 | -22.98 | H |
| 2801.54 | -33.43 | 11.27 | 11.12 | -33.28 | -13.00 | -20.28 | H |
| 1400.81 | -34.91 | 8.17 | 9.34 | -36.08 | -13.00 | -23.08 | V |
| 2101.32 | -34.16 | 9.53 | 10.42 | -35.05 | -13.00 | -22.05 | V |
| 2801.54 | -33.20 | 11.27 | 11.12 | -33.05 | -13.00 | -20.05 | V |
| LTE Band 12 / 3MHz / QPSK / RB Size 1 Offset 0/ The Worst Test Results for Middle | | | | | | | |
| Frequency(MHz) | S | Ant(dBi) | Loss | PMea | Limit | Margin | Polarity |
| | G.Lev (dBm) | | | (dBm) | (dBm) | (dBm) | |
| 1414.55 | -34.74 | 8.17 | 9.34 | -35.91 | -13.00 | -22.91 | H |
| 2122.06 | -35.24 | 9.53 | 10.42 | -36.13 | -13.00 | -23.13 | H |
| 2829.71 | -33.06 | 11.27 | 11.12 | -32.91 | -13.00 | -19.91 | H |
| 1414.55 | -35.33 | 8.17 | 9.34 | -36.50 | -13.00 | -23.50 | V |
| 2122.06 | -34.07 | 9.53 | 10.42 | -34.96 | -13.00 | -21.96 | V |
| 2829.71 | -33.03 | 11.27 | 11.12 | -32.88 | -13.00 | -19.88 | V |
| LTE Band 12 / 3MHz / QPSK / RB Size 1 Offset 0/ The Worst Test Results for Highest | | | | | | | |
| Frequency(MHz) | S | Ant(dBi) | Loss | PMea | Limit | Margin | Polarity |
| | G.Lev (dBm) | | | (dBm) | (dBm) | (dBm) | |
| 1428.70 | -33.63 | 8.17 | 9.34 | -34.80 | -13.00 | -21.80 | H |
| 2143.02 | -35.16 | 9.53 | 10.42 | -36.05 | -13.00 | -23.05 | H |
| 2857.56 | -32.71 | 11.27 | 11.12 | -32.56 | -13.00 | -19.56 | H |
| 1428.70 | -34.84 | 8.17 | 9.34 | -36.01 | -13.00 | -23.01 | V |
| 2143.02 | -34.45 | 9.53 | 10.42 | -35.34 | -13.00 | -22.34 | V |
| 2857.56 | -31.99 | 11.27 | 11.12 | -31.84 | -13.00 | -18.84 | V |

| LTE Band 12 / 5MHz / QPSK / RB Size 1 Offset 0/ The Worst Test Results for Lowest | | | | | | | |
|--|----------------|----------|-------|--------|--------|--------|----------|
| Frequency(MHz) | S | Ant(dBi) | Loss | PMea | Limit | Margin | Polarity |
| | G.Lev (dBm) | | | (dBm) | (dBm) | (dBm) | |
| 1402.82 | -34.52 | 8.17 | 9.34 | -35.69 | -13.00 | -22.69 | H |
| 2104.44 | -35.12 | 9.53 | 10.42 | -36.01 | -13.00 | -23.01 | H |
| 2805.79 | -33.33 | 11.27 | 11.12 | -33.18 | -13.00 | -20.18 | H |
| 1402.82 | -35.67 | 8.17 | 9.34 | -36.84 | -13.00 | -23.84 | V |
| 2104.44 | -35.03 | 9.53 | 10.42 | -35.92 | -13.00 | -22.92 | V |
| 2805.79 | -33.01 | 11.27 | 11.12 | -32.86 | -13.00 | -19.86 | V |
| LTE Band 12 / 5MHz / QPSK / RB Size 1 Offset 0/ The Worst Test Results for Middle | | | | | | | |
| Frequency(MHz) | S | Ant(dBi) | Loss | PMea | Limit | Margin | Polarity |
| | G.Lev (dBm) | | | (dBm) | (dBm) | (dBm) | |
| 1414.88 | -34.80 | 8.17 | 9.34 | -35.97 | -13.00 | -22.97 | H |
| 2122.22 | -34.02 | 9.53 | 10.42 | -34.91 | -13.00 | -21.91 | H |
| 2829.67 | -32.97 | 11.27 | 11.12 | -32.82 | -13.00 | -19.82 | H |
| 1414.88 | -35.21 | 8.17 | 9.34 | -36.38 | -13.00 | -23.38 | V |
| 2122.22 | -34.10 | 9.53 | 10.42 | -34.99 | -13.00 | -21.99 | V |
| 2829.67 | -32.88 | 11.27 | 11.12 | -32.73 | -13.00 | -19.73 | V |
| LTE Band 12 / 5MHz / QPSK / RB Size 1 Offset 0/ The Worst Test Results for Highest | | | | | | | |
| Frequency(MHz) | S | Ant(dBi) | Loss | PMea | Limit | Margin | Polarity |
| | G.Lev (dBm) | | | (dBm) | (dBm) | (dBm) | |
| 1426.95 | -34.59 | 8.17 | 9.34 | -35.76 | -13.00 | -22.76 | H |
| 2140.03 | -34.86 | 9.53 | 10.42 | -35.75 | -13.00 | -22.75 | H |
| 2853.79 | -33.42 | 11.27 | 11.12 | -33.27 | -13.00 | -20.27 | H |
| 1426.95 | -35.27 | 8.17 | 9.34 | -36.44 | -13.00 | -23.44 | V |
| 2140.03 | -34.73 | 9.53 | 10.42 | -35.62 | -13.00 | -22.62 | V |
| 2853.79 | -32.02 | 11.27 | 11.12 | -31.87 | -13.00 | -18.87 | V |

| LTE Band 12 / 10MHz / QPSK / RB Size 1 Offset 0/ The Worst Test Results for Lowest | | | | | | | |
|---|----------------|----------|-------|--------|--------|--------|----------|
| Frequency(MHz) | S | Ant(dBi) | Loss | PMea | Limit | Margin | Polarity |
| | G.Lev (dBm) | | | (dBm) | (dBm) | (dBm) | |
| 1407.83 | -34.22 | 8.17 | 9.34 | -35.39 | -13.00 | -22.39 | H |
| 2111.76 | -34.55 | 9.53 | 10.42 | -35.44 | -13.00 | -22.44 | H |
| 2815.69 | -33.32 | 11.27 | 11.12 | -33.17 | -13.00 | -20.17 | H |
| 1407.83 | -35.30 | 8.17 | 9.34 | -36.47 | -13.00 | -23.47 | V |
| 2111.76 | -34.24 | 9.53 | 10.42 | -35.13 | -13.00 | -22.13 | V |
| 2815.69 | -32.34 | 11.27 | 11.12 | -32.19 | -13.00 | -19.19 | V |
| LTE Band 12 / 10MHz / QPSK / RB Size 1 Offset 0/ The Worst Test Results for Middle | | | | | | | |
| Frequency(MHz) | S | Ant(dBi) | Loss | PMea | Limit | Margin | Polarity |
| | G.Lev (dBm) | | | (dBm) | (dBm) | (dBm) | |
| 1414.65 | -34.83 | 8.17 | 9.34 | -36.00 | -13.00 | -23.00 | H |
| 2122.46 | -34.01 | 9.53 | 10.42 | -34.90 | -13.00 | -21.90 | H |
| 2829.81 | -32.40 | 11.27 | 11.12 | -32.25 | -13.00 | -19.25 | H |
| 1414.65 | -34.70 | 8.17 | 9.34 | -35.87 | -13.00 | -22.87 | V |
| 2122.46 | -34.10 | 9.53 | 10.42 | -34.99 | -13.00 | -21.99 | V |
| 2829.81 | -32.12 | 11.27 | 11.12 | -31.97 | -13.00 | -18.97 | V |
| LTE Band 12 / 10MHz / QPSK / RB Size 1 Offset 0/ The Worst Test Results for Highest | | | | | | | |
| Frequency(MHz) | S | Ant(dBi) | Loss | PMea | Limit | Margin | Polarity |
| | G.Lev (dBm) | | | (dBm) | (dBm) | (dBm) | |
| 1421.96 | -34.13 | 8.17 | 9.34 | -35.30 | -13.00 | -22.30 | H |
| 2132.83 | -35.32 | 9.53 | 10.42 | -36.21 | -13.00 | -23.21 | H |
| 2843.95 | -33.59 | 11.27 | 11.12 | -33.44 | -13.00 | -20.44 | H |
| 1421.96 | -34.72 | 8.17 | 9.34 | -35.89 | -13.00 | -22.89 | V |
| 2132.83 | -34.76 | 9.53 | 10.42 | -35.65 | -13.00 | -22.65 | V |
| 2843.95 | -32.09 | 11.27 | 11.12 | -31.94 | -13.00 | -18.94 | V |

| LTE Band 66 / 1.4MHz / QPSK / RB Size 1 Offset 0/ The Worst Test Results for Lowest | | | | | | | |
|--|----------------|----------|-------|--------|--------|--------|----------|
| Frequency(MHz) | S | Ant(dBi) | Loss | PMea | Limit | Margin | Polarity |
| | G.Lev (dBm) | | | (dBm) | (dBm) | (dBm) | |
| 3421.00 | -34.35 | 12.90 | 12.56 | -34.01 | -13.00 | -21.01 | H |
| 5132.10 | -34.05 | 13.10 | 16.32 | -37.27 | -13.00 | -24.27 | H |
| 6842.83 | -33.48 | 12.33 | 21.13 | -42.28 | -13.00 | -29.28 | H |
| 3421.00 | -35.91 | 12.90 | 12.56 | -35.57 | -13.00 | -22.57 | V |
| 5132.10 | -34.42 | 13.10 | 16.32 | -37.64 | -13.00 | -24.64 | V |
| 6842.83 | -32.73 | 12.33 | 21.13 | -41.53 | -13.00 | -28.53 | V |
| LTE Band 66 / 1.4MHz / QPSK / RB Size 1 Offset 0/ The Worst Test Results for Middle | | | | | | | |
| Frequency(MHz) | S | Ant(dBi) | Loss | PMea | Limit | Margin | Polarity |
| | G.Lev (dBm) | | | (dBm) | (dBm) | (dBm) | |
| 3490.17 | -33.60 | 12.90 | 12.56 | -33.26 | -13.00 | -20.26 | H |
| 5234.90 | -34.98 | 13.10 | 16.32 | -38.20 | -13.00 | -25.20 | H |
| 6979.92 | -32.48 | 12.33 | 21.13 | -41.28 | -13.00 | -28.28 | H |
| 3490.17 | -35.18 | 12.90 | 12.56 | -34.84 | -13.00 | -21.84 | V |
| 5234.90 | -34.05 | 13.10 | 16.32 | -37.27 | -13.00 | -24.27 | V |
| 6979.92 | -32.71 | 12.33 | 21.13 | -41.51 | -13.00 | -28.51 | V |
| LTE Band 66 / 1.4MHz / QPSK / RB Size 1 Offset 0/ The Worst Test Results for Highest | | | | | | | |
| Frequency(MHz) | S | Ant(dBi) | Loss | PMea | Limit | Margin | Polarity |
| | G.Lev (dBm) | | | (dBm) | (dBm) | (dBm) | |
| 3558.10 | -34.62 | 12.90 | 12.56 | -34.28 | -13.00 | -21.28 | H |
| 5336.80 | -35.49 | 13.10 | 16.32 | -38.71 | -13.00 | -25.71 | H |
| 7117.09 | -33.22 | 12.33 | 21.13 | -42.02 | -13.00 | -29.02 | H |
| 3558.10 | -35.32 | 12.90 | 12.56 | -34.98 | -13.00 | -21.98 | V |
| 5336.80 | -34.10 | 13.10 | 16.32 | -37.32 | -13.00 | -24.32 | V |
| 7117.09 | -31.98 | 12.33 | 21.13 | -40.78 | -13.00 | -27.78 | V |

| LTE Band 66 / 3MHz / QPSK / RB Size 1 Offset 0/ The Worst Test Results for Lowest | | | | | | | |
|--|----------------|----------|-------|--------|--------|--------|----------|
| Frequency(MHz) | S | Ant(dBi) | Loss | PMea | Limit | Margin | Polarity |
| | G.Lev (dBm) | | | (dBm) | (dBm) | (dBm) | |
| 3423.25 | -33.98 | 12.90 | 12.56 | -33.64 | -13.00 | -20.64 | H |
| 5134.55 | -34.61 | 13.10 | 16.32 | -37.83 | -13.00 | -24.83 | H |
| 6845.98 | -32.59 | 12.33 | 21.13 | -41.39 | -13.00 | -28.39 | H |
| 3423.25 | -35.23 | 12.90 | 12.56 | -34.89 | -13.00 | -21.89 | V |
| 5134.55 | -35.20 | 13.10 | 16.32 | -38.42 | -13.00 | -25.42 | V |
| 6845.98 | -32.68 | 12.33 | 21.13 | -41.48 | -13.00 | -28.48 | V |
| LTE Band 66 / 3MHz / QPSK / RB Size 1 Offset 0/ The Worst Test Results for Middle | | | | | | | |
| Frequency(MHz) | S | Ant(dBi) | Loss | PMea | Limit | Margin | Polarity |
| | G.Lev (dBm) | | | (dBm) | (dBm) | (dBm) | |
| 3490.04 | -34.84 | 12.90 | 12.56 | -34.50 | -13.00 | -21.50 | H |
| 5235.19 | -34.52 | 13.10 | 16.32 | -37.74 | -13.00 | -24.74 | H |
| 6980.01 | -32.90 | 12.33 | 21.13 | -41.70 | -13.00 | -28.70 | H |
| 3490.04 | -35.76 | 12.90 | 12.56 | -35.42 | -13.00 | -22.42 | V |
| 5235.19 | -33.80 | 13.10 | 16.32 | -37.02 | -13.00 | -24.02 | V |
| 6980.01 | -32.84 | 12.33 | 21.13 | -41.64 | -13.00 | -28.64 | V |
| LTE Band 66 / 3MHz / QPSK / RB Size 1 Offset 0/ The Worst Test Results for Highest | | | | | | | |
| Frequency(MHz) | S | Ant(dBi) | Loss | PMea | Limit | Margin | Polarity |
| | G.Lev (dBm) | | | (dBm) | (dBm) | (dBm) | |
| 3557.08 | -33.85 | 12.90 | 12.56 | -33.51 | -13.00 | -20.51 | H |
| 5262.47 | -34.99 | 13.10 | 16.32 | -38.21 | -13.00 | -25.21 | H |
| 7114.15 | -33.18 | 12.33 | 21.13 | -41.98 | -13.00 | -28.98 | H |
| 3557.08 | -35.44 | 12.90 | 12.56 | -35.10 | -13.00 | -22.10 | V |
| 5262.47 | -34.39 | 13.10 | 16.32 | -37.61 | -13.00 | -24.61 | V |
| 7114.15 | -32.68 | 12.33 | 21.13 | -41.48 | -13.00 | -28.48 | V |

| LTE Band 66 / 5MHz / QPSK / RB Size 1 Offset 0/ The Worst Test Results for Lowest | | | | | | | |
|---|---------------|----------|-------|--------|---------|--------|----------|
| Frequency(MHz) | S G.Lev (dBm) | Ant(dBi) | Loss | PMea | Limit | Margin | Polarity |
| | | | | (dBm) | (dBm) | (dBm) | |
| 3425.19 | -34.79 | 12.90 | 12.56 | -34.45 | -13.00 | -21.45 | H |
| 5137.14 | -34.59 | 13.10 | 16.32 | -37.81 | -13.00 | -24.81 | H |
| 6850.16 | -33.21 | 12.33 | 21.13 | -42.01 | -13.00 | -29.01 | H |
| 3425.19 | -35.28 | 12.90 | 12.56 | -34.94 | -13.00 | -21.94 | V |
| 5137.14 | -33.94 | 13.10 | 16.32 | -37.16 | -13.00 | -24.16 | V |
| 6850.16 | -32.71 | 12.33 | 21.13 | -41.51 | -13.00 | -28.51 | V |
| LTE Band 66 / 5MHz / QPSK / RB Size 1 Offset 0/ The Worst Test Results for Middle | | | | | | | |
| Frequency(MHz) | S G.Lev (dBm) | Ant(dBi) | Loss | PMea | Limit | Margin | Polarity |
| | | | | (dBm) | (dBm) | (dBm) | |
| 3489.83 | -33.54 | 12.90 | 12.56 | -33.20 | -13.00 | -20.20 | H |
| 5234.91 | -34.19 | 13.10 | 16.32 | -37.41 | -13.00 | -24.41 | H |
| 6980.09 | -32.64 | 12.33 | 21.13 | -41.44 | -13.00 | -28.44 | H |
| 3489.83 | -36.00 | 12.90 | 12.56 | -35.66 | -13.00 | -22.66 | V |
| 5234.91 | -33.94 | 13.10 | 16.32 | -37.16 | -13.00 | -24.16 | V |
| 6980.09 | -32.23 | 12.33 | 21.13 | -41.03 | -13.00 | -28.03 | V |
| LTE Band 66 / 5MHz / QPSK / RB Size 1 Offset 0/ The Worst Test Results for Highest | | | | | | | |
| Frequency(MHz) | S G.Lev (dBm) | Ant(dBi) | Loss | PMea | Limit | Margin | Polarity |
| | | | | (dBm) | (dBm) | (dBm) | |
| 3558.02 | -34.32 | 12.90 | 12.56 | -33.98 | -13.00 | -20.98 | H |
| 5235.11 | -34.53 | 13.10 | 16.32 | -37.75 | -13.00 | -24.75 | H |
| 7109.88 | -32.52 | 12.33 | 21.13 | -41.32 | -13.00 | -28.32 | H |
| 3558.02 | -35.27 | 12.90 | 12.56 | -34.93 | -13.00 | -21.93 | V |
| 5235.11 | -34.26 | 13.10 | 16.32 | -37.48 | -13.00 | -24.48 | V |
| 7109.88 | -32.43 | 12.33 | 21.13 | -41.23 | -13.00 | -28.23 | V |

| LTE Band 66 / 10MHz / QPSK / RB Size 1 Offset 0/ The Worst Test Results for Lowest | | | | | | | |
|--|----------------|----------|-------|--------|--------|--------|----------|
| Frequency(MHz) | S | Ant(dBi) | Loss | PMea | Limit | Margin | Polarity |
| | G.Lev (dBm) | | | (dBm) | (dBm) | (dBm) | |
| 3429.85 | -34.78 | 12.90 | 12.56 | -34.44 | -13.00 | -21.44 | H |
| 5144.81 | -34.51 | 13.10 | 16.32 | -37.73 | -13.00 | -24.73 | H |
| 6879.82 | -33.10 | 12.33 | 21.13 | -41.90 | -13.00 | -28.90 | H |
| 3429.85 | -34.55 | 12.90 | 12.56 | -34.21 | -13.00 | -21.21 | V |
| 5144.81 | -35.01 | 13.10 | 16.32 | -38.23 | -13.00 | -25.23 | V |
| 6879.82 | -32.41 | 12.33 | 21.13 | -41.21 | -13.00 | -28.21 | V |
| LTE Band 66 / 10MHz / QPSK / RB Size 1 Offset 0/ The Worst Test Results for Middle | | | | | | | |
| Frequency(MHz) | S | Ant(dBi) | Loss | PMea | Limit | Margin | Polarity |
| | G.Lev (dBm) | | | (dBm) | (dBm) | (dBm) | |
| 3489.93 | -34.65 | 12.90 | 12.56 | -34.31 | -13.00 | -21.31 | H |
| 5234.92 | -35.10 | 13.10 | 16.32 | -38.32 | -13.00 | -25.32 | H |
| 6979.87 | -33.48 | 12.33 | 21.13 | -42.28 | -13.00 | -29.28 | H |
| 3489.93 | -35.38 | 12.90 | 12.56 | -35.04 | -13.00 | -22.04 | V |
| 5234.92 | -34.16 | 13.10 | 16.32 | -37.38 | -13.00 | -24.38 | V |
| 6979.87 | -32.00 | 12.33 | 21.13 | -40.80 | -13.00 | -27.80 | V |
| LTE Band 66 / 10MHz / QPSK / RB Size 1 Offset 0/ The Worst Test Results for Highest | | | | | | | |
| Frequency(MHz) | S | Ant(dBi) | Loss | PMea | Limit | Margin | Polarity |
| | G.Lev (dBm) | | | (dBm) | (dBm) | (dBm) | |
| 3550.69 | -34.35 | 12.90 | 12.56 | -34.01 | -13.00 | -21.01 | H |
| 5235.06 | -35.29 | 13.10 | 16.32 | -38.51 | -13.00 | -25.51 | H |
| 7099.99 | -32.68 | 12.33 | 21.13 | -41.48 | -13.00 | -28.48 | H |
| 3550.69 | -35.31 | 12.90 | 12.56 | -34.97 | -13.00 | -21.97 | V |
| 5235.06 | -34.74 | 13.10 | 16.32 | -37.96 | -13.00 | -24.96 | V |
| 7099.99 | -32.90 | 12.33 | 21.13 | -41.70 | -13.00 | -28.70 | V |

| LTE Band 66 / 15MHz / QPSK / RB Size 1 Offset 0/ The Worst Test Results for Lowest | | | | | | | |
|--|---------------|----------|-------|--------|---------|--------|----------|
| Frequency(MHz) | S G.Lev (dBm) | Ant(dBi) | Loss | PMea | Limit | Margin | Polarity |
| | | | | (dBm) | (dBm) | (dBm) | |
| 3435.17 | -34.28 | 12.90 | 12.56 | -33.94 | -13.00 | -20.94 | H |
| 5152.29 | -34.69 | 13.10 | 16.32 | -37.91 | -13.00 | -24.91 | H |
| 6869.97 | -32.91 | 12.33 | 21.13 | -41.71 | -13.00 | -28.71 | H |
| 3435.17 | -35.37 | 12.90 | 12.56 | -35.03 | -13.00 | -22.03 | V |
| 5152.29 | -34.40 | 13.10 | 16.32 | -37.62 | -13.00 | -24.62 | V |
| 6869.97 | -32.83 | 12.33 | 21.13 | -41.63 | -13.00 | -28.63 | V |
| LTE Band 66 /15MHz / QPSK / RB Size 1 Offset 0/ The Worst Test Results for Middle | | | | | | | |
| Frequency(MHz) | S G.Lev (dBm) | Ant(dBi) | Loss | PMea | Limit | Margin | Polarity |
| | | | | (dBm) | (dBm) | (dBm) | |
| 3489.77 | -34.87 | 12.90 | 12.56 | -34.53 | -13.00 | -21.53 | H |
| 5235.09 | -34.44 | 13.10 | 16.32 | -37.66 | -13.00 | -24.66 | H |
| 6979.85 | -32.88 | 12.33 | 21.13 | -41.68 | -13.00 | -28.68 | H |
| 3489.77 | -35.89 | 12.90 | 12.56 | -35.55 | -13.00 | -22.55 | V |
| 5235.09 | -34.76 | 13.10 | 16.32 | -37.98 | -13.00 | -24.98 | V |
| 6979.85 | -32.59 | 12.33 | 21.13 | -41.39 | -13.00 | -28.39 | V |
| LTE Band 66 / 15MHz / QPSK / RB Size 1 Offset 0/ The Worst Test Results for Highest | | | | | | | |
| Frequency(MHz) | S G.Lev (dBm) | Ant(dBi) | Loss | PMea | Limit | Margin | Polarity |
| | | | | (dBm) | (dBm) | (dBm) | |
| 3545.20 | -33.79 | 12.90 | 12.56 | -33.45 | -13.00 | -20.45 | H |
| 5332.39 | -34.71 | 13.10 | 16.32 | -37.93 | -13.00 | -24.93 | H |
| 7089.98 | -33.24 | 12.33 | 21.13 | -42.04 | -13.00 | -29.04 | H |
| 3545.20 | -35.75 | 12.90 | 12.56 | -35.41 | -13.00 | -22.41 | V |
| 5332.39 | -34.47 | 13.10 | 16.32 | -37.69 | -13.00 | -24.69 | V |
| 7089.98 | -31.87 | 12.33 | 21.13 | -40.67 | -13.00 | -27.67 | V |

| LTE Band 66 / 20MHz / QPSK / RB Size 1 Offset 0/ The Worst Test Results for Lowest | | | | | | | |
|---|-------------|----------|-------|--------|--------|--------|----------|
| Frequency(MHz) | S | | Loss | PMea | Limit | Margin | Polarity |
| | G.Lev (dBm) | Ant(dBi) | | (dBm) | (dBm) | (dBm) | |
| 3440.28 | -34.11 | 12.90 | 12.56 | -33.77 | -13.00 | -20.77 | H |
| 5159.99 | -35.47 | 13.10 | 16.32 | -38.69 | -13.00 | -25.69 | H |
| 6880.09 | -32.50 | 12.33 | 21.13 | -41.30 | -13.00 | -28.30 | H |
| 3440.28 | -35.15 | 12.90 | 12.56 | -34.81 | -13.00 | -21.81 | V |
| 5159.99 | -34.30 | 13.10 | 16.32 | -37.52 | -13.00 | -24.52 | V |
| 6880.09 | -31.81 | 12.33 | 21.13 | -40.61 | -13.00 | -27.61 | V |
| LTE Band 66 / 20MHz / QPSK / RB Size 1 Offset 0/ The Worst Test Results for Middle | | | | | | | |
| Frequency(MHz) | S | | Loss | PMea | Limit | Margin | Polarity |
| | G.Lev (dBm) | Ant(dBi) | | (dBm) | (dBm) | (dBm) | |
| 3489.78 | -34.46 | 12.90 | 12.56 | -34.12 | -13.00 | -21.12 | H |
| 5234.81 | -34.89 | 13.10 | 16.32 | -38.11 | -13.00 | -25.11 | H |
| 6980.27 | -32.37 | 12.33 | 21.13 | -41.17 | -13.00 | -28.17 | H |
| 3489.78 | -34.75 | 12.90 | 12.56 | -34.41 | -13.00 | -21.41 | V |
| 5234.81 | -34.49 | 13.10 | 16.32 | -37.71 | -13.00 | -24.71 | V |
| 6980.27 | -33.18 | 12.33 | 21.13 | -41.98 | -13.00 | -28.98 | V |
| LTE Band 66 / 20MHz / QPSK / RB Size 1 Offset 0/ The Worst Test Results for Highest | | | | | | | |
| Frequency(MHz) | S | | Loss | PMea | Limit | Margin | Polarity |
| | G.Lev (dBm) | Ant(dBi) | | (dBm) | (dBm) | (dBm) | |
| 3540.18 | -34.15 | 12.90 | 12.56 | -33.81 | -13.00 | -20.81 | H |
| 5309.86 | -34.73 | 13.10 | 16.32 | -37.95 | -13.00 | -24.95 | H |
| 7080.59 | -32.61 | 12.33 | 21.13 | -41.41 | -13.00 | -28.41 | H |
| 3540.18 | -34.95 | 12.90 | 12.56 | -34.61 | -13.00 | -21.61 | V |
| 5309.86 | -34.32 | 13.10 | 16.32 | -37.54 | -13.00 | -24.54 | V |
| 7080.59 | -32.69 | 12.33 | 21.13 | -41.49 | -13.00 | -28.49 | V |

APPENDIX-PHOTOS OF TEST SETUP

Note: See test photos in setup photo document for the actual connections between Product and support equipment.

*****END OF THE REPORT*****