

# User Manual

## RMCU OG2



## 1. Product features description

- ✓ RMCU OG2 install to the Excavator Wheel loader equipment.
- ✓ Connecting server using Satellite(VHF) networks
- ✓ Location information collecting as using GPS function
- ✓ Real-time monitoring and diagnosis of equipment
- ✓ Support for setting function restrict operation

## 2. Product specification

Electrical Specifications			
Input Voltage (DC)	24V DC (16V ~ 32V)		
Power Consumption	Typical : 60mA @ 24V (1.44W) Peak : 900mA(700ms) @ 24V (21.6W)		
Reliability Specifications			
Normal Temperature	-40°C~85°C		
Humidity	95% (35°C) [Relative humidity / Non-condensation]		
Vibration	5 Hz to 500 Hz Sinusoidal 1.5G		
Drop	60 inch Drop on the concrete		
RF Specifications			
Operating Frequency	<table border="1"><tr><td>Satellite</td><td>VHF</td></tr></table> TX 148.00 – 150.5MHz RX 137.00 – 138.00MHz	Satellite	VHF
Satellite	VHF		
Output Power	<b>10W</b>		
GPS Sensitivity	-156 dBm -147.0 dBm (Cold booting time)		
Mechanical Specifications			
Size	156 x 212 x 79 mm		
Weight	560g		
Main Connector	DT13-12P (Manufacturer : Deutsch)		
ANT port	Satellite: TNC GPS : SMA		
Screw	M13 (Diameter 2mm, Length 11mm or 13mm Head Diameter 3.5mm.)		

### Antenna Specification (Shark Type)

	VHF	GPS
Frequency Range	150MHz±5MHz	1575.42 Mhz(L1 Band)
Impedance	50Ω±Normal	50Ω±Normal
Polarization	Vertical	RHCP
Radio Pattern	Omni-Directional	Hemispherical
Gain (Peak)	2.7dBi	4dBi

### 3. Product Component

- RMCU OG2
- Mobile / GPS Antenna
- Antenna Cable



<RMCU OG2>

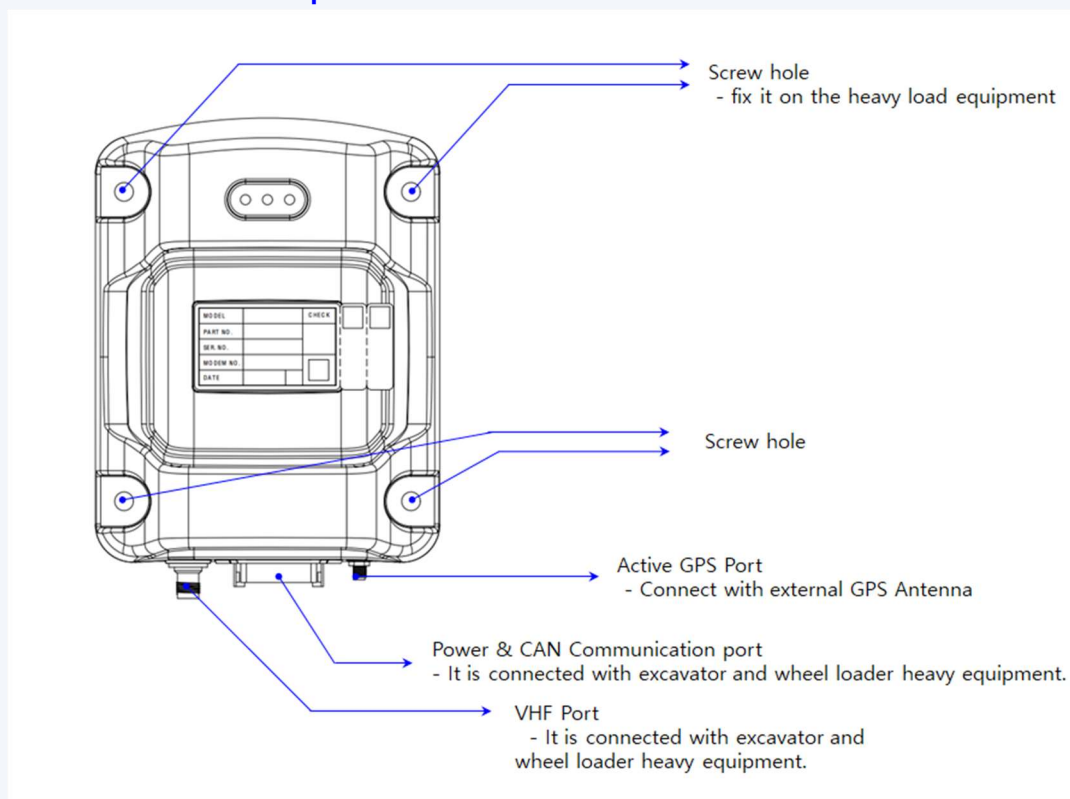


<Mobile/GPS Antenna>



<Antenna Cable>

#### 4. Function name of each part



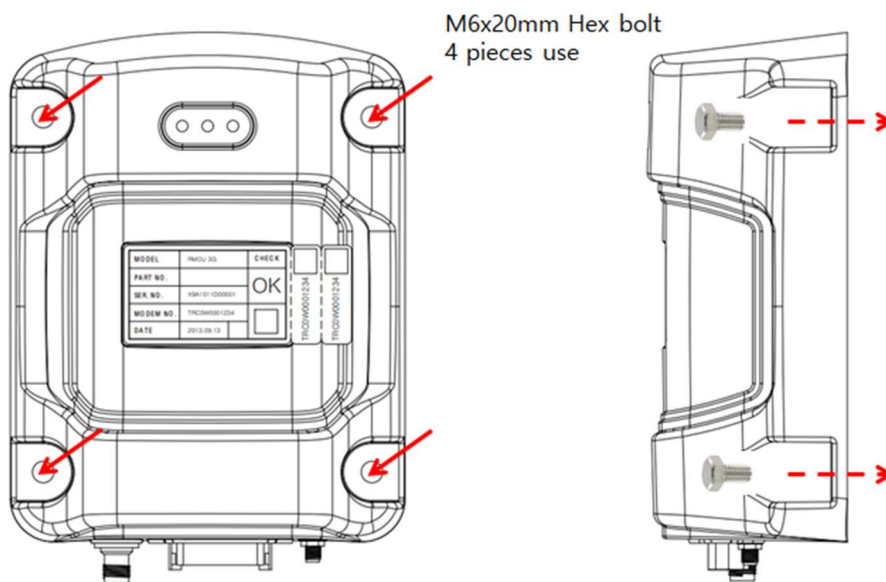
#### 6. Device installation

1) Connection cable



Tighten the screws as shown in the picture

## 2) Main body mount



Safe installation results are determined by the person who installs them.

## 3) Operation manual

- Must be connecting antenna and main power cables.
  - When the heavy load machine is start up, and then RMCU OG2 function is operation.
  - It will be turn on LED as soon as startup of heavy load machine. This mean is normal operation status.
  - The user can get the heavy load equipment information transmitted to the server.
- ※ Caution: Device antenna has to setup and using to keep distance 20cm from human body.

## 7. About User's guide

- ✓ The contents of the user manual are subject to change depending on the manufacturer's service policy, etc.
- ✓ There may be technical and editing errors or missing content.

## 8. Copyright

- ✓ All contents and rights of the instruction manual are in TAEHA MECHTRONICS Co., Ltd. and are protected under copyright law.
- ✓ Where a manual is reproduced, modified, produced, or distributed without prior written consent, it shall be subject to criminal punishment in accordance with the Copyright Act.

## FCC Radiation Exposure Statement

This device complies with part 15 of the FCC rules. Operation is subject to the following two conditions: (1) This device may not cause harmful interference, and (2) this device must accept any interference received, including interference that may cause undesired operation.

## FCC Interference Statement

This equipment has been tested and found to comply with the limits for a Class B digital device, pursuant to part 15 of the FCC Rules. These limits are designed to provide reasonable protection against harmful interference in a residential installation. This equipment generates, uses and can radiate radio frequency energy and, if not installed and used in accordance with the instructions, may cause harmful interference to radio communications. However, there is no guarantee that interference will not occur in a particular installation. If this equipment does cause harmful interference to radio or television reception, which can be determined by turning the equipment off and on, the user is encouraged to correct the interference by one of the following measures:

- Reorient or relocate the receiving antenna.
- Increase the separation between the equipment and receiver.

- Connect the equipment into an outlet on a circuit different from which the receiver is connected.
- Consult the dealer or an experienced radio/TV technician for help.

### **FCC Caution Statement**

Any changes or modifications not expressly approved by the party responsible for compliance could void the user's authority to operate this equipment. This transmitter must not be co-located or operating in conjunction with any other antenna or transmitter.

### **FCC Radiation Exposure Statement**

This equipment complies with the FCC RF radiation exposure limits set forth for an uncontrolled environment. This equipment must not be co-located or operating in conjunction with any other antenna or transmitter. This equipment should be installed and operated with a minimum distance of 20cm between the radiator and any part of your body.