

COSMO 600

USER MANUAL

Version1.0

PACKING LIST



- ① Receiver x 1
- ② Transmitter x 1
- ③ 5GHz Antennas x 3
- ④ User Manual x 1
- ⑤ DC Conversion Cable (LEMO 4-pin Male to D-tap) x 2
- ⑥ Magic Arm x 1
- ⑦ Crab Clamp x 1
- ⑧ Mushroom Antenna x 2

PARAMETERS

| | Transmitter | Receiver |
|-----------------------------|---|--|
| Interface | SDI Input (BNC female) SDI Loop Out (BNC female) HDMI Input (Type A female) 2 Antenna Port (RP-SMA male) DC Input (4pin LEMO female) Mini USB 3.5mm Stereo In | SDI Output SDI Loop Out HDMI Output (Type A female) DC Input (4pin LEMO female) Mini USB |
| Supply Voltage Range | 7~36VDC | 7~36VDC |
| Power Consumption | <6W | <8W |
| Weight | 260g | 460g |
| Size | (L x W x H): 126.5 x 70 x 25mm, not include antennas and battery plate | (L x W x H): 158.8 x 94 x 25mm, not include antennas and battery plate |
| Input Video Format | HDMI-480p/60, 576p/50, 720p/50/59.94/60, 1080i/50/59.94/60, 1080p/23.98/24/25/29.97/30/50/59.94/60; HDMI Type A; SDI: 3G, HD, and SD-SDI (auto-selected); SMPT-E-259/274/292/296/372/424/425; 1x BNC; 1x BNC Loopout; | / |
| Output Video Format | / | HDMI-480p/60, 576p/50, 720p/50/59.94/60, 1080i/50/59.94/60, 1080p/23.98/24/25/29.97/30/50/59.94/60; HDMI Type A; SDI: 3G, HD, and SD-SDI (auto-selected); SMPT-E-259/274/292/296/372/424/425; 2x BNC output; |
| Input Audio | SDI embedded 2 channel 24 bit/48KHz | / |
| Output Audio | / | SDI embedded 2 channel 24 bit/48KHz |
| Frequency Band | 5, 1~5.9GHz, configurable with China, North America, Europe, etc | 5, 1~5.9GHz, configurable with China, North America, Europe, etc |
| Modulation Mode | OFDM-16QAM | OFDM-16QAM |
| Transmission Power | Maximum 17dBm | / |
| Receiver Sensitivity | / | -75dBm |
| Occupied Bandwidth | 40MHz | 40MHz |

INTRODUCTION

The wireless high-definition video transmission system, using today's highest level of wireless communication technology, transmits broadcast-quality uncompressed, non-delayed 3G SDI or HDMI1080P HD signals. Transmitter supports SDI ,HDMI and SDI loopout; receiver support dual SDI output and HDMI output. Both transmitter and receiver working in broadcast mode, the transmission distance can reach 600ft.

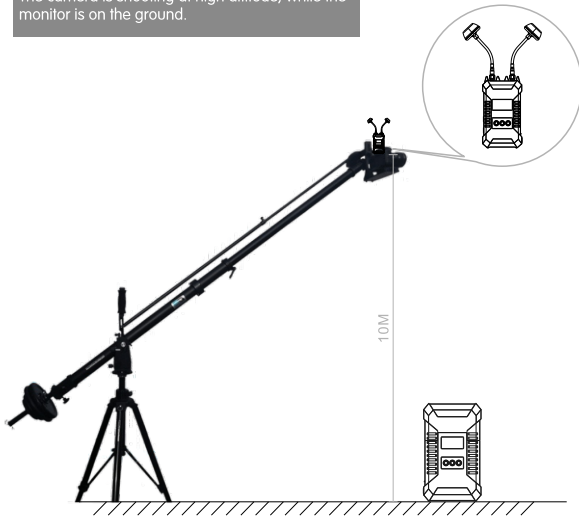


THE APPLICATION OF MUSHROOM ANTENNA

When the height difference between the transmitter and the receiver is large, the mushroom antenna is recommended to enhance the stability of the wireless transmission.

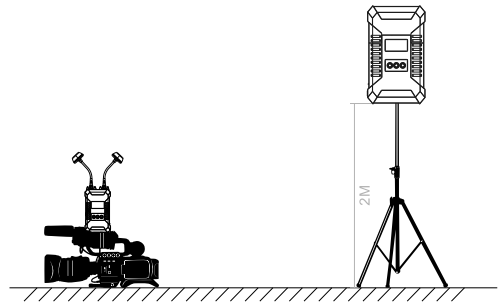
Scene 1

The camera is shooting at high altitude, while the monitor is on the ground.

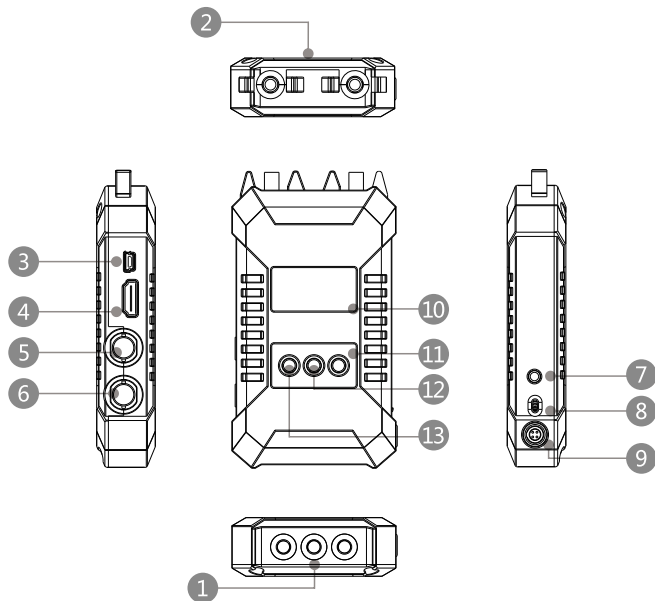


Scene 2

Camera is shooting very close to the ground, while the monitor is used at higher place.



PRODUCT INTRODUCTION

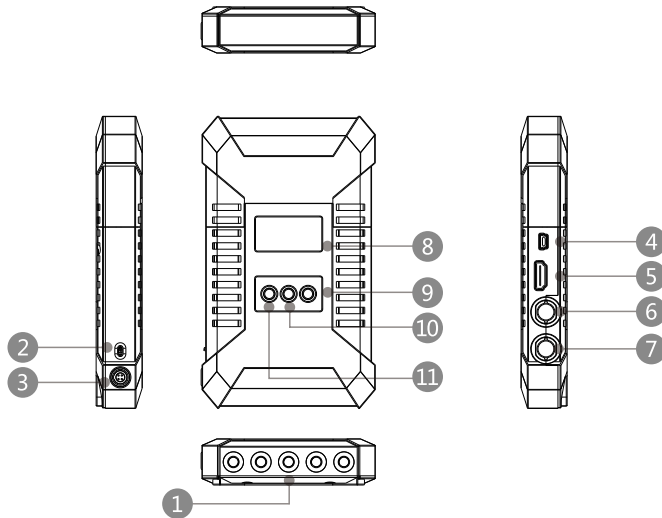


Transmitter

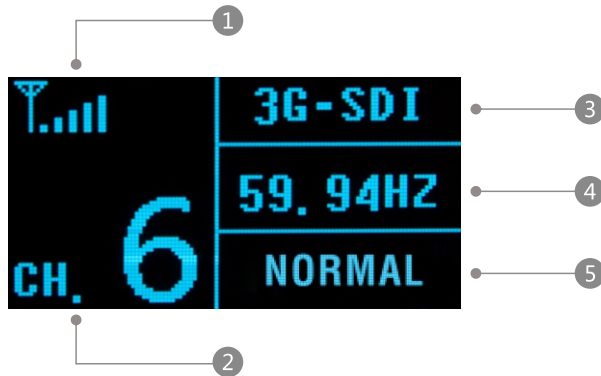
- 1 1/4-20 Screw hole
- 2 Antenna Port (RP-SMA male)
- 3 Mini USB
- 4 HDMI Input
- 5 3G SDI Loop Out
- 6 3G SDI Input
- 7 3.5mm Stereo In
- 8 Power Switch
- 9 DC Power Input(7-36V)
- 10 OLED Screen
- 11 Channel Selection Button
- 12 Frequency Adjustment and Confirm Button
- 13 Channel Subtract Selection Button

PRODUCT INTRODUCTION

Receiver



- 1 1/4-20 Screw Hole
- 2 Power Switch
- 3 DC Power Input(7-36V)
- 4 Mini USB
- 5 HDMI Output
- 6 3G SDI Output 1
- 7 3G SDI Output 2
- 8 OLED Screen
- 9 Channel Selection Button
- 10 Frequency Adjustment and confirm Button
- 11 Channel Subtract Selection Button



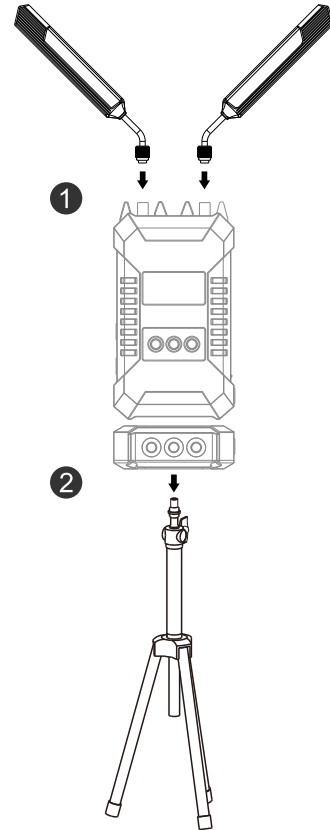
Screen Instruction

- ① Link Indicator, Green
- ② Channel Selection
- ③ TX Source Display, RX VIDEO Source Display
- ④ Signal Access Format
- ⑤ Temperature Display

■ Installation details and cautions

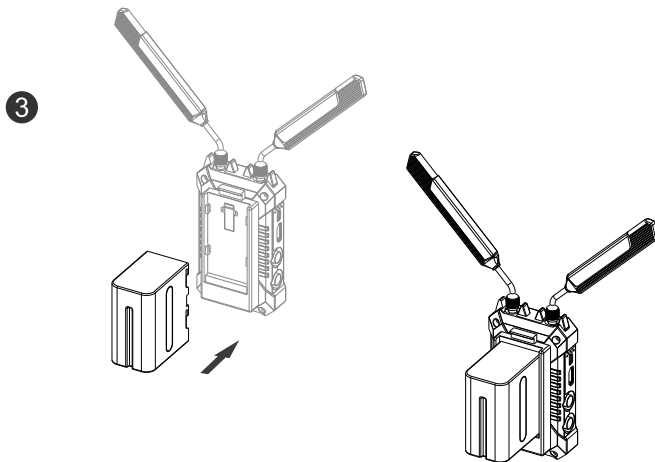
Install the antennas

Stabilize transmitter and receiver



■ Installation details and cautions

Connect power supply

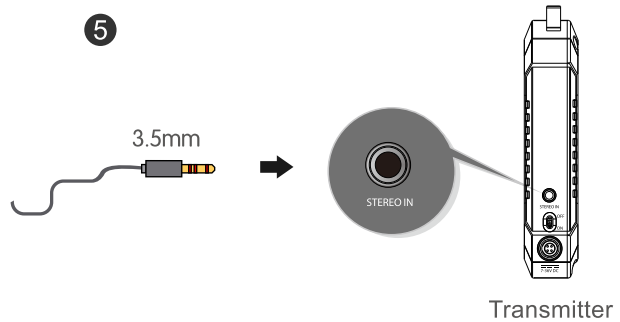


Turn on the switch

OPERATION INSTRUCTION

■ Installation details and cautions

Connect the transmitter audio



Set up connection

- When the receiver does not receive the signal, the display shows the status of "No Video", no format display

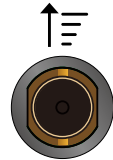


■ Installation details and cautions

When both SDI and HDMI have valid video input, the system will take SDI input as priority



HDMI Signal



SDI Signal

RSSI indicators

Strong



Middle



Weak



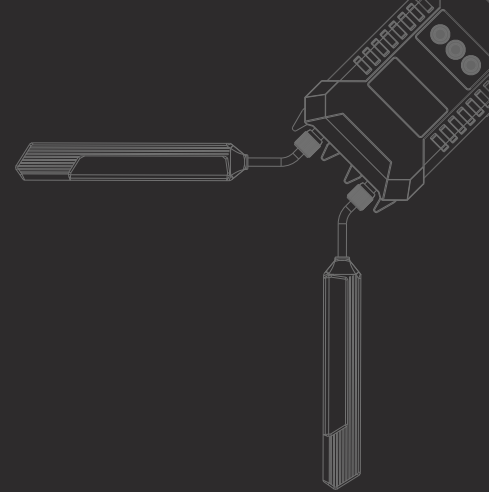
TROUBLE SHOOTING

1 No output on display

- a) Check TX and RX power first, if power supply through battery or external power source, please make sure the battery or external power source works normally;
- b) Check if TX antenna and RX antenna installed right and steady;
- c) After that, check 'Video' indicator, if TX 'Video' indicator is not light, then check SDI or HDMI cable is plugged in and video source is ready please;
- d) Finally check input video format is compatible with this product specs.

2 Poor output video quality

- a) Check if SDI or HDMI input or output cable is plugged well,
- b) Make sure the transmitter and receiver are placed at least 1.5 meters above the ground,
- c) Please check the wireless signal strength indicator "RSSI" status. There should be 2-3 RSSI LED lit if the user want to get better video quality; if there is only 1 RSSI LED or no LED light, that means the received wireless signal is weak, and should decrease the transmission distance or try to change to other frequency channels in case some exist interference.



FCC STATEMENT

1, This device complies with Part 15 of the FCC Rules. Operation is subject to the following two conditions:

(1) This device may not cause harmful interference.

(2) This device must accept any interference received, including interference that may cause undesired operation.

2, Changes or modifications not expressly approved by the party responsible for compliance could void the user's authority to operate the equipment.

■ NOTE

This equipment has been tested and found to comply with the limits for a Class B digital device, pursuant to Part 15 of the FCC Rules. These limits are designed to provide reasonable protection against harmful interference in a residential installation.

This equipment generates uses and can radiate radio frequency energy and, if not installed and used in accordance with the instructions, may cause harmful interference to radio communications. However, there is no guarantee that interference will not occur in a particular installation. If this equipment does cause harmful interference to radio or television reception, which can be determined by turning the equipment off and on, the user is encouraged to try to correct the interference by one or more of the following measures:

Reorient or relocate the receiving antenna

Increase the separation between the equipment and receiver

Connect the equipment into an outlet on a circuit different from that to which the receiver is connected.

Consult the dealer or an experienced radio/TV technician for help.

■ RF WARNING STATEMENT

To maintain compliance with FCC's RF Exposure guidelines, This equipment should be installed and operated with minimum 20cm distance between the radiator and your body: Use only the supplied antenna.

FOLLOW US

 HollylandTech  HollylandTech



86-755-8614-6192

86-755-8600-0682

www.hollyland-tech.com

sales@hollyland-tech.com

6-7th Floor, 3th Building, 2th South District,
Honghualing Industry Park, Xili Town, Nanshan, Shenzhen, P.R China

SHENZHEN HOLLYLAND TECHNOLOGY CO.,LTD