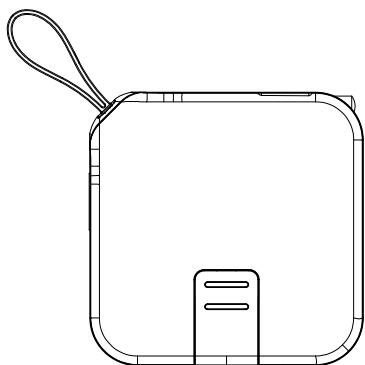


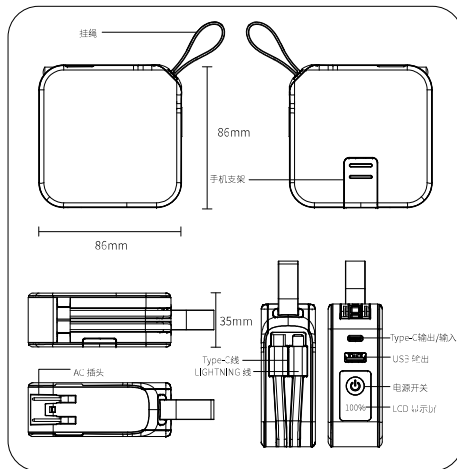
多功能充电器10000mAh

PS-B003



使用手册

产品示意图



产品参数

型号: PS-B003	材料: 防火 ABS+PC
容量: 10000mAh/37Wh	AC 输入: 100-240VAC 50Hz/60Hz 0.3A(Max)
Type-C 输入: DC 5V-12V PD 18W Max	Type-C 输出: DC 5V-12V PD 20W Max
Type-C 线输出: DC 5V/3A Max	Lightning 线输出: DC 5V/2.4A Max
USB 输出: DC 5V/A, 5V/2A, 12V/1.5A 22.5W Max	无线充输出: 15W 最大
尺寸: 86mm*86mm*34mm	净重: 260克

包装清单



使用指南



墙充



手机支架



移动电源



无线充

常适用范围及充电方法

1. 产品功能

4个输出接口,可以同时给各种数码电子产品进行充电。
带手机支架功能

2. 补充电能

当本产品电量不足时,可通过充电线连接电源,AC适配器或者车充等
USB接口给本产品供电。

充电说明

1. 给产品充电时电量显示情况

充电时,数码管闪烁显示当前电量;充满显示“100%”常亮

2. 产品给其它设备充电时电量显示情况

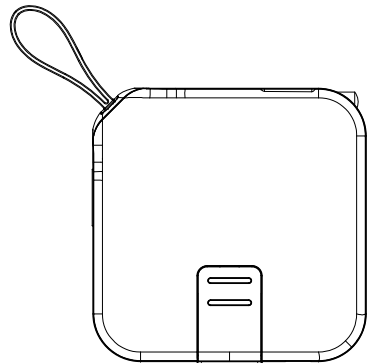
放电时,数码管常亮显示当前电量百分比;当电量低于5%时,数码管闪烁提示电量不足;
在低电状态下,数码管显示0%闪烁,电池电压低于3V时,产品电源系统关机。

注意

如果电池更换不当会有爆炸危险
只能用同类型或等效类的电池更换

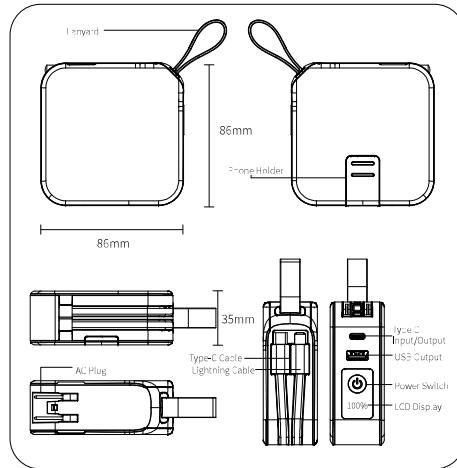
Multifunctional Power Charger 10000mAh

PS-B003



User Manual

Product Diagram



Product Parameter

Model: PS-B003	Material: Fireproof ABS+PC
Capacity: 10000mAh/37Wh	AC Input: 100-240VAC 50Hz/60Hz 0.3A(Max)
Type-C Input: DC5V-12V PD1.5W Max	Type-C Output: DC 5V-12V PD 20W Max
Type-C Cable Output: DC 5V/3A Max	Lightning Cable Output: DC 5/2.4A Max
USB Output: DC 5V/4.5A, 9V/2A, 12V/1.5A 22.5W Max	Wireless Output: 15W Max
Size: 86mm*86mm*34mm	N.W.: 260g

Packing List



PS-B003



User Manual



Color Box

User Guide



Wall Charger



Phone Holder



Power Bank



Wireless Charger

Applicable Scope And Charging Methods

1. Product function:

- 4 output ports can charge various devices at the same time.
- With mobile phone holder function

2. Power supply:

- When the power of the product is low, the product can be powered by a charging cable through USB port such as a computer, AC adapter or car charger.

Charging Instruction

1. Power status when it's being charged:

- When charging, the digital tube flashes and displays the current power status.
- When fully charged, it displays "100%" and the light remains on.

2. Power status when charging other devices:

- When discharging, the digital tube light remains on showing the current battery percentage. When the power is lower than 5%, the digital tube flashes to indicate low battery. When in the low power state, the digital tube displays 0% and flashing, also the battery voltage is lower than 3V, the product is automatically off.

Attention

- There is a risk of explosion if the battery is incorrectly replaced.
- Only use batteries of the same type or equivalent for replacement.

FCC Caution:

This device complies with part 15 of the FCC Rules. Operation is subject to the following two conditions: (1) This device may not cause harmful interference, and (2) this device must accept any interference received, including interference that may cause undesired operation.

Any Changes or modifications not expressly approved by the party responsible for compliance could void the user's authority to operate the equipment.

Note: This equipment has been tested and found to comply with the limits for a Class B digital device, pursuant to part 15 of the FCC Rules. These limits are designed to provide reasonable protection against harmful interference in a residential installation. This equipment generates uses and can radiate radio frequency energy and, if not installed and used in accordance with the instructions, may cause harmful interference to radio communications. However, there is no guarantee that interference will not occur in a particular installation. If this equipment does cause harmful interference to radio or television reception, which can be determined by turning the equipment off and on, the user is encouraged to try to correct the interference by one or more of the following measures:

- Reorient or relocate the receiving antenna.
- Increase the separation between the equipment and receiver.
- Connect the equipment into an outlet on a circuit different from that to which the receiver is connected.
- Consult the dealer or an experienced radio/TV technician for help.

The device has been evaluated to meet general RF exposure requirement. The device can be used in portable exposure condition without restriction.