



RF TEST REPORT

Applicant Flextronics (Shanghai) Co., Ltd

FCC ID 2AP3PTRINITY

Product FT700 series - In-cab advanced telematics tracker
HT800 series - Rugged advanced telematics tracker

Model FT700-LM0Q-GL, HT800-LM0Q-GL,
HT801-LM0Q-GL

Report No. R1908A0467-R1

Issue Date December 30, 2019

TA Technology (Shanghai) Co., Ltd. tested the above equipment in accordance with the requirements in **FCC CFR47 Part 2 (2018)/ FCC CFR 47 Part 22H (2018)**. The test results show that the equipment tested is capable of demonstrating compliance with the requirements as documented in this report.

Performed by: Peng Tao

Approved by: Kai Xu

TA Technology (Shanghai) Co., Ltd.

No.145, Jintang Rd, Tangzhen Industry Park, Pudong Shanghai, China

TEL: +86-021-50791141/2/3

FAX: +86-021-50791141/2/3-8000



TABLE OF CONTENT

1. Test Laboratory	4
1.1. Notes of the Test Report	4
1.2. Testing Location	4
2. General Description of Equipment under Test.....	5
2.1. Applicant and Manufacturer Information	5
2.2. General Information.....	5
3. Applied Standards.....	7
4. Test Configuration.....	8
5. Test Case Results.....	9
5.1. RF Power Output and Effective Radiated Power	9
5.2. Radiates Spurious Emission	21
6. Main Test Instruments	28



Summary of measurement results

No.	Test Case	Clause in FCC rules	Verdict
1	RF power output and Effective Radiated Power	2.1046 22.913(a)(5)	PASS
2	Radiates Spurious Emission	2.1053 / 22.917 (a)	PASS
Date of Testing: October 15, 2019~ November 19, 2019			

Test values partial duplicated from module BG96(Report No.: RXA1706-0199RF01R1) for FT700-LM0Q-GL, HT800-LM0Q-GL, HT801-LM0Q-GL (Report No.: R1908A0467-R1). There is only tested Radiated Spurious Emissions and Effective Radiated Power for FT700-LM0Q-GL in this report.



1. Test Laboratory

1.1. Notes of the Test Report

This report shall not be reproduced in full or partial, without the written approval of **TA technology (shanghai) co., Ltd.** The results documented in this report apply only to the tested sample, under the conditions and modes of operation as described herein .Measurement Uncertainties were not taken into account and are published for informational purposes only. This report is written to support regulatory compliance of the applicable standards stated above.

1.2. Testing Location

Company: TA Technology (Shanghai) Co., Ltd.
Address: No.145, Jintang Rd, Tangzhen Industry Park, Pudong
City: Shanghai
Post code: 201201
Country: P. R. China
Contact: Xu Kai
Telephone: +86-021-50791141/2/3
Fax: +86-021-50791141/2/3-8000
Website: <http://www.ta-shanghai.com>
E-mail: xukai@ta-shanghai.com

2. General Description of Equipment under Test

2.1. Applicant and Manufacturer Information

Applicant	Flextronics (Shanghai) Co., Ltd
Applicant address	4F, Bldg. 10, No. 3000 Longdong Ave., Pudong New District, Shanghai 201203
Manufacturer	Flex Industrial, Ltd.
Manufacturer address	Level 3, Alexander House, 35 Cybercity, Ebene, Mauritius

2.2. General Information

EUT Description			
Model	FT700-LM0Q-GL, HT800-LM0Q-GL, HT801-LM0Q-GL		
IMEI	015578002000022		
Hardware Version	P2.1		
Software Version	2.2.5		
Power Supply	Battery		
Antenna Type	Internal Antenna/ External Antenna		
Antenna Gain	Internal Antenna GSM 850: 0dBi LTE Band 5:0dBi LTE Band 26:0dBi	External Antenna LTE Band 5:2.5dBi LTE Band 26:2.5dBi	
Test Mode(s)	GSM 850;LTE Band 5/26;		
Test Modulation	(GSM)GMSK,8PSK; (LTE)QPSK 16QAM;		
Maximum E.R.P.	GSM850	32.66dBm	
	LTE Band 5	24.18dBm	
	LTE Band 26	24.14dBm	
Rated Power Supply Voltage	12V		
Extreme Voltage	Minimum: 6V Maximum: 48V		
Extreme Temperature	Lowest: -40°C Highest: +85°C		
Operating Frequency Range(s)	Band	Tx (MHz)	Rx (MHz)
	GSM850	824 ~ 849	869 ~ 894
	LTE Band 5	824 ~ 849	869 ~ 894
	LTE Band 26	824 ~ 849	869 ~ 894
EUT Accessory			
Battery 1 (FT700-LM0Q-GL)	Manufacturer: Hangzhou Future Power Technology Co., Ltd Model: FT553561P		
Battery2 (HT800-LM0Q-GL, HT801-LM0Q-GL)	Manufacturer: INVENTUS POWER, INC. – DESIGN CENTER Model: 57484-001		



Note: The information of the EUT is declared by the manufacturer.

The difference between FT700-LM0Q-GL, HT800-LM0Q-GL, HT801-LM0Q-GL please refer to APOC Difference Information. However, only the worst model FT500-LM0Q-GL will be recorded in this report.



3. Applied Standards

According to the specifications of the manufacturer, it must comply with the requirements of the following standards:

Test standards:

FCC CFR 47 Part 22H (2018)

ANSI C63.26 (2015)

Reference standard:

FCC CFR47 Part 2 (2018)

KDB 971168 D01 Power Meas License Digital Systems v03r01

4. Test Configuration

Radiated measurements are performed by rotating the EUT in three different orthogonal test planes. EUT stand-up position (Z axis), lie-down position (X, Y axis). Receiver antenna polarization (horizontal and vertical), the worst emission was found in position (Z axis, horizontal polarization) and the worst case was recorded.

All mode and data rates and positions were investigated. Subsequently, only the worst case emissions are reported.

The following testing in GSM/ LTE is set based on the maximum RF Output Power.

Test modes are chosen to be reported as the worst case configuration below:

Test items	Modes/Modulation
	GSM 850
RF power output and Effective Isotropic Radiated power	GSM GPRS EGPRS
Radiates Spurious Emission	GSM

Test modes are chosen as the worst case configuration below for LTE Band 5/26

Test items	Modes	Bandwidth (MHz)					Modulation		RB			Test Channel			
		1.4	3	5	10	15	QPSK	16QAM	1	50%	100%	L	M	H	
RF power output and Effective Isotropic Radiated power	LTE 5	O	O	O	O	-	O	O	O	O	O	O	O	O	O
	LTE 26	O	O	O	O	O	O	O	O	O	O	O	O	O	O
Radiates Spurious Emission	LTE 5	O	-	O	O	-	O	-	O	-	-	-	O	-	
	LTE 26	O	-	O	-	O	O	-	O	-	-	-	O	-	
Note	1. The mark "O" means that this configuration is chosen for testing. 2. The mark "-" means that this configuration is not testing.														

5. Test Case Results

5.1. RF Power Output and Effective Radiated Power

Ambient condition

Temperature	Relative humidity	Pressure
23°C ~25°C	45%~50%	101.5kPa

Methods of Measurement

During the process of the testing, The EUT is controlled by the Base Station Simulator to ensure max power transmission and proper modulation.

The testing follows FCC KDB 971168 v03r01 Section 5.8 and ANSI C63.26 (2015).

a) Connect the equipment as illustrated. Mount the equipment with the manufacturer specified antenna in a vertical orientation on a manufacturer specified mounting surface located on a non-conducting rotating platform of a RF anechoic chamber (preferred) or a standard radiation site.

b) Key the transmitter, then rotate the EUT 360° azimuthally and record spectrum analyzer power level (LVL) measurements at angular increments that are sufficiently small to permit resolution of all peaks. If a standard radiation test site is used, raise and lower the test antenna to obtain a maximum reading at each angular increment. (Note: several batteries may be needed to offset the effect of battery voltage droop, which should not exceed 5% of the manufactured specified battery voltage during transmission).

c) Replace the transmitter under test with a vertically polarized half-wave dipole (or an antenna whose gain is known relative to an ideal half-wave dipole). The center of the antenna should be at the same location as the center of the antenna under test.

d) Connect the antenna to a signal generator with a known output power and record the path loss (in dB) as LOSS. If a standard radiation test site is used, raise and lower the test antenna to obtain a maximum reading. $LOSS = \text{Generator Output Power (dBm)} - \text{Analyzer reading (dBm)}$

e) Determine the effective radiated output power at each angular position from the readings in steps b) and d) using the following equation: $ERP \text{ (dBm)} = \text{LVL (dBm)} + \text{LOSS (dB)}$

f) The maximum ERP is the maximum value determined in the preceding step.

g) When calculating ERP, in addition to knowing the antenna radiation and matching characteristics, it is necessary to know the loss values of all elements (e.g. transmission line attenuation, mismatches, filters, combiners) interposed between the point where transmitter output power is measured, and the point where power is applied to the antenna. ERP can then be calculated as follows:

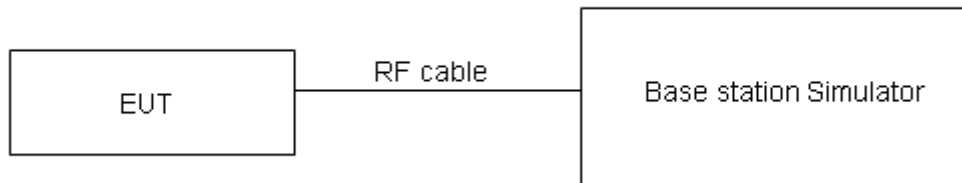
$$EIRP \text{ (dBm)} = \text{Output Power (dBm)} - \text{Losses (dB)} + \text{Antenna Gain (dBi)}$$

where: dBd refers to gain relative to an ideal dipole.

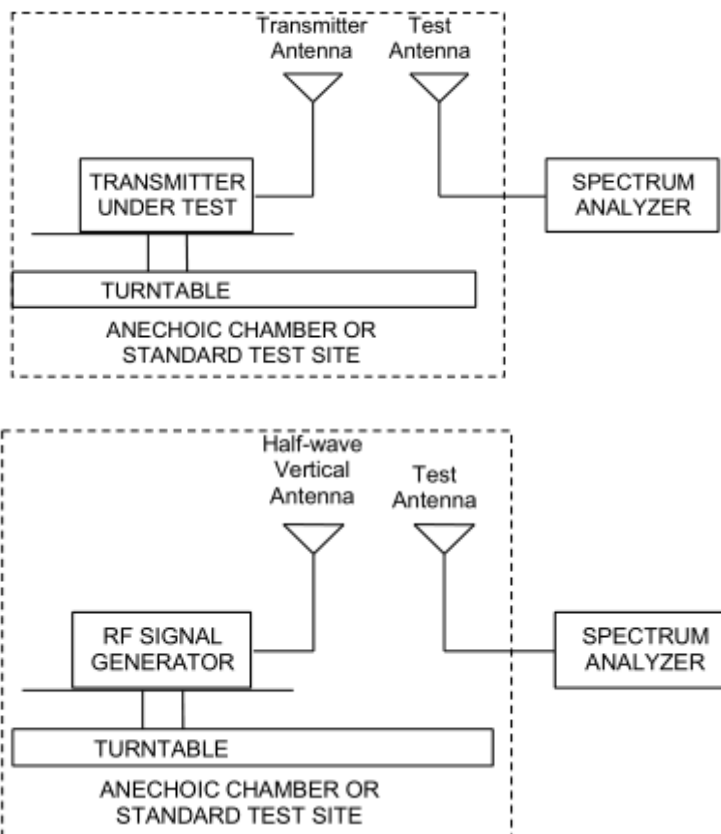
$$EIRP \text{ (dBm)} = ERP \text{ (dBm)} + 2.15 \text{ (dB.)}$$

The RB allocation refers to section 5.1, using the maximum output power configuration.

Test Setup



The loss between RF output port of the EUT and the input port of the tester has been taken into consideration.



Limits

No specific RF power output requirements in part 2.1046.

Rule Part 22.913(a)(5) specifies that "Mobile/portable stations are limited to 7 watts ERP".

Limit	$\leq 7 \text{ W}$ (38.45 dBm)
-------	--------------------------------

Measurement Uncertainty

The assessed measurement uncertainty to ensure 95% confidence level for the normal distribution is with the coverage factor $k = 2$, $U = 0.4 \text{ dB}$ for RF power output, $k = 2$, $U = 1.19 \text{ dB}$ for ERP .



Test Results

Internal Antenna

GSM 850		Conducted Power (dBm)			ERP (dBm)		
		Channel 128	Channel 190	Channel 251	Channel 128	Channel 190	Channel 251
		824.2 (MHz)	836.6 (MHz)	848.8 (MHz)	824.2 (MHz)	836.6 (MHz)	848.8 (MHz)
GPRS/EGPRS (GMSK)	1TXslot	32.25	32.28	32.31	30.10	30.13	30.16
	2TXslots	32.11	32.05	32.10	29.96	29.90	29.95
	3TXslots	31.21	31.26	31.31	29.06	29.11	29.16
	4TXslots	30.01	30.11	30.28	27.86	27.96	28.13
EGPRS	1TXslot	26.58	26.65	26.78	24.43	24.50	24.63
	2TXslots	26.51	26.48	26.61	24.36	24.33	24.46
	3TXslots	26.27	26.28	26.42	24.12	24.13	24.27
	4TXslots	26.05	26.06	26.19	23.90	23.91	24.04

LTE Band 5				Conducted Power(dBm)			ERP (dBm)		
BW	Modulation	RB size	RB offset	Channel/Frequency(MHz)					
				20407 /824.7	20525 /836.5	20643 /848.3	20407 /824.7	20525 /836.5	20643 /848.3
1.4MHz	QPSK	1	0	22.66	23.15	23.21	20.51	21.00	21.06
		1	2	22.72	23.2	23.43	20.57	21.05	21.28
		1	5	22.60	23.17	23.36	20.45	21.02	21.21
		3	0	22.93	23.14	23.32	20.78	20.99	21.17
		3	2	22.90	23.19	23.22	20.75	21.04	21.07
		3	3	22.89	23.21	23.27	20.74	21.06	21.12
		6	0	22.62	22.71	22.86	20.47	20.56	20.71
	16QAM	1	0	23.79	22.63	23.14	21.64	20.48	20.99
		1	2	23.80	22.78	23.41	21.65	20.63	21.26
		1	5	23.52	22.58	23.15	21.37	20.43	21.00
		3	0	23.44	22.73	22.71	21.29	20.58	20.56
		3	2	23.41	22.81	22.85	21.26	20.66	20.70
		3	3	23.32	22.71	22.91	21.17	20.56	20.76
		6	0	22.67	23.2	23	20.52	21.05	20.85
BW	Modulation	RB size	RB offset	Channel/Frequency(MHz)					
				20415 /825.5	20525 /836.5	20635 /847.5	20415 /825.5	20525 /836.5	20635 /847.5



3MHz	QPSK	1	0	22.68	23.16	23.24	20.53	21.01	21.09
		1	7	22.75	23.25	23.47	20.60	21.10	21.32
		1	14	22.62	23.21	23.39	20.47	21.06	21.24
		8	0	22.96	23.19	23.36	20.81	21.04	21.21
		8	4	22.93	23.24	23.26	20.78	21.09	21.11
		8	7	22.91	23.25	23.32	20.76	21.10	21.17
		15	0	22.70	22.73	22.9	20.55	20.58	20.75
	16QAM	1	0	23.81	22.66	23.16	21.66	20.51	21.01
		1	7	23.83	22.82	23.44	21.68	20.67	21.29
		1	14	23.55	22.60	23.18	21.40	20.45	21.03
		8	0	23.47	22.78	22.75	21.32	20.63	20.60
		8	4	23.43	22.85	22.88	21.28	20.70	20.73
		8	7	23.35	22.76	22.95	21.20	20.61	20.80
		15	0	22.70	23.25	23.04	20.55	21.10	20.89
BW	Modulation	RB size	RB offset	Channel/Frequency(MHz)					
				20425 /826.5	20525 /836.5	20625 /846.5	20425 /826.5	20525 /836.5	20625 /846.5
5MHz	QPSK	1	0	22.67	23.12	23.22	20.52	20.97	21.07
		1	13	22.73	23.24	23.44	20.58	21.09	21.29
		1	24	22.59	23.16	23.35	20.44	21.01	21.20
		12	0	22.94	23.15	23.33	20.79	21.00	21.18
		12	6	22.90	23.19	23.22	20.75	21.04	21.07
		12	13	22.88	23.22	23.28	20.73	21.07	21.13
		25	0	22.68	22.69	22.85	20.53	20.54	20.70
	16QAM	1	0	23.76	22.64	23.14	21.61	20.49	20.99
		1	13	23.81	22.79	23.42	21.66	20.64	21.27
		1	24	23.52	22.56	23.15	21.37	20.41	21.00
		12	0	23.44	22.76	22.72	21.29	20.61	20.57
		12	6	23.40	22.8	22.84	21.25	20.65	20.69
		12	13	23.33	22.72	22.92	21.18	20.57	20.77
		25	0	22.67	23.20	23.00	20.52	21.05	20.85
BW	Modulation	RB size	RB offset	Channel/Frequency(MHz)					
				20450 /829	20525 /836.5	20600 /844	20450 /829	20525 /836.5	20600 /844
10MHz	QPSK	1	0	22.64	23.08	23.19	20.49	20.93	21.04
		1	25	22.72	23.20	23.42	20.57	21.05	21.27
		1	49	22.57	23.15	23.32	20.42	21.00	21.17



		25	0	22.91	23.10	23.29	20.76	20.95	21.14	
		25	13	22.88	23.15	23.19	20.73	21.00	21.04	
		25	25	22.85	23.17	23.24	20.70	21.02	21.09	
		50	0	22.65	22.64	22.81	20.50	20.49	20.66	
	16QAM		1	0	23.74	22.6	23.09	21.59	20.45	20.94
			1	25	23.77	22.77	23.38	21.62	20.62	21.23
			1	49	23.50	22.53	23.13	21.35	20.38	20.98
			25	0	23.41	22.72	22.69	21.26	20.57	20.54
			25	13	23.37	22.78	22.81	21.22	20.63	20.66
			25	25	23.3	22.67	22.88	21.15	20.52	20.73
			50	0	22.65	23.16	22.97	20.50	21.01	20.82

LTE Band 26				Conducted Power(dBm)			ERP (dBm)			
BW	Modulation	RB size	RB offset	Channel/Frequency(MHz)						
				26797 /824.7	26915 /836.5	27033 /848.3	26797 /824.7	26915 /836.5	27033 /848.3	
1.4MHz	QPSK	1	0	22.49	22.97	22.81	20.34	20.82	20.66	
		1	2	23.01	23.13	22.94	20.86	20.98	20.79	
		1	5	22.67	22.90	22.78	20.52	20.75	20.63	
		3	0	22.84	22.77	22.9	20.69	20.62	20.75	
		3	2	22.87	22.79	22.87	20.72	20.64	20.72	
		3	3	22.77	22.71	22.79	20.62	20.56	20.64	
		6	0	22.76	22.74	22.75	20.61	20.59	20.60	
	16QAM		1	0	23.58	22.57	22.7	21.43	20.42	20.55
			1	2	23.76	22.75	22.34	21.61	20.60	20.19
			1	5	23.79	22.55	22.56	21.64	20.40	20.41
			3	0	23.30	22.43	22.52	21.15	20.28	20.37
			3	2	22.38	22.51	22.56	20.23	20.36	20.41
			3	3	23.18	22.19	22.5	21.03	20.04	20.35
			6	0	23.10	23.19	22.87	20.95	21.04	20.72
BW	Modulation	RB size	RB offset	Channel/Frequency(MHz)						
				26805 /825.5	26915 /836.5	27025 /847.5	26805 /825.5	26915 /836.5	27025 /847.5	
3MHz	QPSK	1	0	22.46	22.95	22.77	20.31	20.80	20.62	
		1	7	22.99	23.09	22.91	20.84	20.94	20.76	
		1	14	22.64	22.85	22.74	20.49	20.70	20.59	
		8	0	22.81	22.72	22.86	20.66	20.57	20.71	



	16QAM	8	4	22.85	22.75	22.82	20.70	20.60	20.67
		8	7	22.75	22.69	22.75	20.60	20.54	20.60
		15	0	22.74	22.73	22.73	20.59	20.58	20.58
		1	0	23.55	22.53	22.67	21.40	20.38	20.52
		1	7	23.73	22.73	22.31	21.58	20.58	20.16
		1	14	23.76	22.53	22.52	21.61	20.38	20.37
		8	0	23.28	22.39	22.49	21.13	20.24	20.34
		8	4	22.35	22.46	22.52	20.20	20.31	20.37
		8	7	23.15	22.14	22.46	21.00	19.99	20.31
		15	0	23.08	23.15	22.82	20.93	21.00	20.67
BW	Modulation	RB size	RB offset	Channel/Frequency(MHz)					
				26815 /826.5	26915 /836.5	27015 /846.5	26815 /826.5	26915 /836.5	27015 /846.5
5MHz	QPSK	1	0	22.48	22.96	22.8	20.33	20.81	20.65
		1	13	23.02	23.14	22.95	20.87	20.99	20.80
		1	24	22.66	22.89	22.77	20.51	20.74	20.62
		12	0	22.84	22.77	22.9	20.69	20.62	20.75
		12	6	22.88	22.80	22.86	20.73	20.65	20.71
		12	13	22.77	22.73	22.8	20.62	20.58	20.65
	16QAM	25	0	22.82	22.75	22.77	20.67	20.60	20.62
		1	0	23.57	22.56	22.69	21.42	20.41	20.54
		1	13	23.76	22.77	22.34	21.61	20.62	20.19
		1	24	23.79	22.55	22.55	21.64	20.40	20.40
		12	0	23.31	22.44	22.53	21.16	20.29	20.38
		12	6	22.37	22.5	22.55	20.22	20.35	20.40
		12	13	23.18	22.19	22.5	21.03	20.04	20.35
		25	0	23.11	23.2	22.86	20.96	21.05	20.71
BW	Modulation	RB size	RB offset	Channel/Frequency(MHz)					
				26840 /829	26915 /836.5	26990 /844	26840 /829	26915 /836.5	26990 /844
10MHz	QPSK	1	0	22.47	22.92	22.78	20.32	20.77	20.63
		1	25	23.00	23.13	22.92	20.85	20.98	20.77
		1	49	22.63	22.84	22.73	20.48	20.69	20.58
		25	0	22.82	22.73	22.87	20.67	20.58	20.72
		25	13	22.85	22.75	22.82	20.70	20.60	20.67
		25	25	22.74	22.70	22.76	20.59	20.55	20.61
		50	0	22.80	22.71	22.72	20.65	20.56	20.57



	16QAM	1	0	23.52	22.54	22.67	21.37	20.39	20.52
		1	25	23.74	22.74	22.32	21.59	20.59	20.17
		1	49	23.76	22.51	22.52	21.61	20.36	20.37
		25	0	23.28	22.42	22.5	21.13	20.27	20.35
		25	13	22.34	22.45	22.51	20.19	20.30	20.36
		25	25	23.16	22.15	22.47	21.01	20.00	20.32
		50	0	23.08	23.15	22.82	20.93	21.00	20.67
BW	Modulation	RB size	RB offset	Channel/Frequency(MHz)					
				26865 /831.5	26915 /836.5	26965 /841.5	26865 /831.5	26915 /836.5	26965 /841.5
15MHz	QPSK	1	0	22.44	22.88	22.75	20.29	20.73	20.60
		1	38	22.99	23.09	22.9	20.84	20.94	20.75
		1	74	22.61	22.83	22.7	20.46	20.68	20.55
		36	0	22.79	22.68	22.83	20.64	20.53	20.68
		36	18	22.83	22.71	22.79	20.68	20.56	20.64
		36	39	22.71	22.65	22.72	20.56	20.50	20.57
		75	0	22.77	22.66	22.68	20.62	20.51	20.53
	16QAM	1	0	23.50	22.50	22.62	21.35	20.35	20.47
		1	38	23.70	22.72	22.28	21.55	20.57	20.13
		1	74	23.74	22.48	22.5	21.59	20.33	20.35
		36	0	23.25	22.38	22.47	21.10	20.23	20.32
		36	18	22.31	22.43	22.48	20.16	20.28	20.33
		36	39	23.13	22.1	22.43	20.98	19.95	20.28
		75	0	23.06	23.11	22.79	20.91	20.96	20.64



External Antenna

LTE Band 5				Conducted Power(dBm)			ERP (dBm)		
BW	Modulation	RB size	RB offset	Channel/Frequency(MHz)					
				20407 /824.7	20525 /836.5	20643 /848.3	20407 /824.7	20525 /836.5	20643 /848.3
1.4MHz	QPSK	1	0	22.66	23.15	23.21	23.01	23.50	23.56
		1	2	22.72	23.2	23.43	23.07	23.55	23.78
		1	5	22.6	23.17	23.36	22.95	23.52	23.71
		3	0	22.93	23.14	23.32	23.28	23.49	23.67
		3	2	22.90	23.19	23.22	23.25	23.54	23.57
		3	3	22.89	23.21	23.27	23.24	23.56	23.62
		6	0	22.62	22.71	22.86	22.97	23.06	23.21
	16QAM	1	0	23.79	22.63	23.14	24.14	22.98	23.49
		1	2	23.80	22.78	23.41	24.15	23.13	23.76
		1	5	23.52	22.58	23.15	23.87	22.93	23.50
		3	0	23.44	22.73	22.71	23.79	23.08	23.06
		3	2	23.41	22.81	22.85	23.76	23.16	23.20
		3	3	23.32	22.71	22.91	23.67	23.06	23.26
		6	0	22.67	23.2	23.00	23.02	23.55	23.35
BW	Modulation	RB size	RB offset	Channel/Frequency(MHz)					
				20415 /825.5	20525 /836.5	20635 /847.5	20415 /825.5	20525 /836.5	20635 /847.5
3MHz	QPSK	1	0	22.68	23.16	23.24	23.03	23.51	23.59
		1	7	22.75	23.25	23.47	23.10	23.60	23.82
		1	14	22.62	23.21	23.39	22.97	23.56	23.74
		8	0	22.96	23.19	23.36	23.31	23.54	23.71
		8	4	22.93	23.24	23.26	23.28	23.59	23.61
		8	7	22.91	23.25	23.32	23.26	23.60	23.67
		15	0	22.70	22.73	22.9	23.05	23.08	23.25
	16QAM	1	0	23.81	22.66	23.16	24.16	23.01	23.51
		1	7	23.83	22.82	23.44	24.18	23.17	23.79
		1	14	23.55	22.60	23.18	23.90	22.95	23.53
		8	0	23.47	22.78	22.75	23.82	23.13	23.10
		8	4	23.43	22.85	22.88	23.78	23.20	23.23
		8	7	23.35	22.76	22.95	23.70	23.11	23.30
		15	0	22.70	23.25	23.04	23.05	23.60	23.39
BW	Modulation	RB	RB	Channel/Frequency(MHz)					



	n	size	offset	20425	20525	20625	20425	20525	20625
				/826.5	/836.5	/846.5	/826.5	/836.5	/846.5
5MHz	QPSK	1	0	22.67	23.12	23.22	23.02	23.47	23.57
		1	13	22.73	23.24	23.44	23.08	23.59	23.79
		1	24	22.59	23.16	23.35	22.94	23.51	23.70
		12	0	22.94	23.15	23.33	23.29	23.50	23.68
		12	6	22.90	23.19	23.22	23.25	23.54	23.57
		12	13	22.88	23.22	23.28	23.23	23.57	23.63
		25	0	22.68	22.69	22.85	23.03	23.04	23.20
	16QAM	1	0	23.76	22.64	23.14	24.11	22.99	23.49
		1	13	23.81	22.79	23.42	24.16	23.14	23.77
		1	24	23.52	22.56	23.15	23.87	22.91	23.50
		12	0	23.44	22.76	22.72	23.79	23.11	23.07
		12	6	23.40	22.8	22.84	23.75	23.15	23.19
		12	13	23.33	22.72	22.92	23.68	23.07	23.27
		25	0	22.67	23.20	23.00	23.02	23.55	23.35
BW	Modulation	RB size	RB offset	Channel/Frequency(MHz)					
				20450	20525	20600	20450	20525	20600
				/829	/836.5	/844	/829	/836.5	/844
10MHz	QPSK	1	0	22.64	23.08	23.19	22.99	23.43	23.54
		1	25	22.72	23.20	23.42	23.07	23.55	23.77
		1	49	22.57	23.15	23.32	22.92	23.50	23.67
		25	0	22.91	23.10	23.29	23.26	23.45	23.64
		25	13	22.88	23.15	23.19	23.23	23.50	23.54
		25	25	22.85	23.17	23.24	23.20	23.52	23.59
		50	0	22.65	22.64	22.81	23.00	22.99	23.16
	16QAM	1	0	23.74	22.6	23.09	24.09	22.95	23.44
		1	25	23.77	22.77	23.38	24.12	23.12	23.73
		1	49	23.50	22.53	23.13	23.85	22.88	23.48
		25	0	23.41	22.72	22.69	23.76	23.07	23.04
		25	13	23.37	22.78	22.81	23.72	23.13	23.16
		25	25	23.3	22.67	22.88	23.65	23.02	23.23
		50	0	22.65	23.16	22.97	23.00	23.51	23.32



LTE Band 26				Conducted Power(dBm)			ERP (dBm)		
BW	Modulation	RB size	RB offset	Channel/Frequency(MHz)					
				26797 /824.7	26915 /836.5	27033 /848.3	26797 /824.7	26915 /836.5	27033 /848.3
1.4MHz	QPSK	1	0	22.49	22.97	22.81	22.84	23.32	23.16
		1	2	23.01	23.13	22.94	23.36	23.48	23.29
		1	5	22.67	22.90	22.78	23.02	23.25	23.13
		3	0	22.84	22.77	22.9	23.19	23.12	23.25
		3	2	22.87	22.79	22.87	23.22	23.14	23.22
		3	3	22.77	22.71	22.79	23.12	23.06	23.14
	16QAM	1	0	23.58	22.57	22.7	23.93	22.92	23.05
		1	2	23.76	22.75	22.34	24.11	23.10	22.69
		1	5	23.79	22.55	22.56	24.14	22.90	22.91
		3	0	23.30	22.43	22.52	23.65	22.78	22.87
		3	2	22.38	22.51	22.56	22.73	22.86	22.91
		3	3	23.18	22.19	22.5	23.53	22.54	22.85
3MHz	QPSK	1	0	22.46	22.95	22.77	22.81	23.30	23.12
		1	7	22.99	23.09	22.91	23.34	23.44	23.26
		1	14	22.64	22.85	22.74	22.99	23.20	23.09
		8	0	22.81	22.72	22.86	23.16	23.07	23.21
		8	4	22.85	22.75	22.82	23.20	23.10	23.17
		8	7	22.75	22.69	22.75	23.10	23.04	23.10
		15	0	22.74	22.73	22.73	23.09	23.08	23.08
	16QAM	1	0	23.55	22.53	22.67	23.90	22.88	23.02
		1	7	23.73	22.73	22.31	24.08	23.08	22.66
		1	14	23.76	22.53	22.52	24.11	22.88	22.87
		8	0	23.28	22.39	22.49	23.63	22.74	22.84
		8	4	22.35	22.46	22.52	22.70	22.81	22.87
8		7	23.15	22.14	22.46	23.50	22.49	22.81	
15	0	23.08	23.15	22.82	23.43	23.50	23.17		
BW	Modulation	RB	RB	Channel/Frequency(MHz)					



	n	size	offset	26815	26915	27015	26815	26915	27015
				/826.5	/836.5	/846.5	/826.5	/836.5	/846.5
5MHz	QPSK	1	0	22.48	22.96	22.8	22.83	23.31	23.15
		1	13	23.02	23.14	22.95	23.37	23.49	23.30
		1	24	22.66	22.89	22.77	23.01	23.24	23.12
		12	0	22.84	22.77	22.9	23.19	23.12	23.25
		12	6	22.88	22.80	22.86	23.23	23.15	23.21
		12	13	22.77	22.73	22.8	23.12	23.08	23.15
		25	0	22.82	22.75	22.77	23.17	23.10	23.12
	16QAM	1	0	23.57	22.56	22.69	23.92	22.91	23.04
		1	13	23.76	22.77	22.34	24.11	23.12	22.69
		1	24	23.79	22.55	22.55	24.14	22.90	22.90
		12	0	23.31	22.44	22.53	23.66	22.79	22.88
		12	6	22.37	22.5	22.55	22.72	22.85	22.90
		12	13	23.18	22.19	22.5	23.53	22.54	22.85
		25	0	23.11	23.2	22.86	23.46	23.55	23.21
BW	Modulation	RB size	RB offset	Channel/Frequency(MHz)					
				26840	26915	26990	26840	26915	26990
				/829	/836.5	/844	/829	/836.5	/844
10MHz	QPSK	1	0	22.47	22.92	22.78	22.82	23.27	23.13
		1	25	23.00	23.13	22.92	23.35	23.48	23.27
		1	49	22.63	22.84	22.73	22.98	23.19	23.08
		25	0	22.82	22.73	22.87	23.17	23.08	23.22
		25	13	22.85	22.75	22.82	23.20	23.10	23.17
		25	25	22.74	22.70	22.76	23.09	23.05	23.11
		50	0	22.80	22.71	22.72	23.15	23.06	23.07
	16QAM	1	0	23.52	22.54	22.67	23.87	22.89	23.02
		1	25	23.74	22.74	22.32	24.09	23.09	22.67
		1	49	23.76	22.51	22.52	24.11	22.86	22.87
		25	0	23.28	22.42	22.5	23.63	22.77	22.85
		25	13	22.34	22.45	22.51	22.69	22.80	22.86
		25	25	23.16	22.15	22.47	23.51	22.50	22.82
		50	0	23.08	23.15	22.82	23.43	23.50	23.17
BW	Modulation	RB size	RB offset	Channel/Frequency(MHz)					
				26865	26915	26965	26865	26915	26965
				/831.5	/836.5	/841.5	/831.5	/836.5	/841.5
15MHz	QPSK	1	0	22.44	22.88	22.75	22.79	23.23	23.10
		1	38	22.99	23.09	22.9	23.34	23.44	23.25



		1	74	22.61	22.83	22.7	22.96	23.18	23.05
		36	0	22.79	22.68	22.83	23.14	23.03	23.18
		36	18	22.83	22.71	22.79	23.18	23.06	23.14
		36	39	22.71	22.65	22.72	23.06	23.00	23.07
		75	0	22.77	22.66	22.68	23.12	23.01	23.03
	16QAM	1	0	23.50	22.50	22.62	23.85	22.85	22.97
		1	38	23.70	22.72	22.28	24.05	23.07	22.63
		1	74	23.74	22.48	22.5	24.09	22.83	22.85
		36	0	23.25	22.38	22.47	23.60	22.73	22.82
		36	18	22.31	22.43	22.48	22.66	22.78	22.83
		36	39	23.13	22.1	22.43	23.48	22.45	22.78
		75	0	23.06	23.11	22.79	23.41	23.46	23.14

5.2. Radiates Spurious Emission

Ambient condition

Temperature	Relative humidity	Pressure
23°C ~25°C	45%~50%	101.5kPa

Method of Measurement

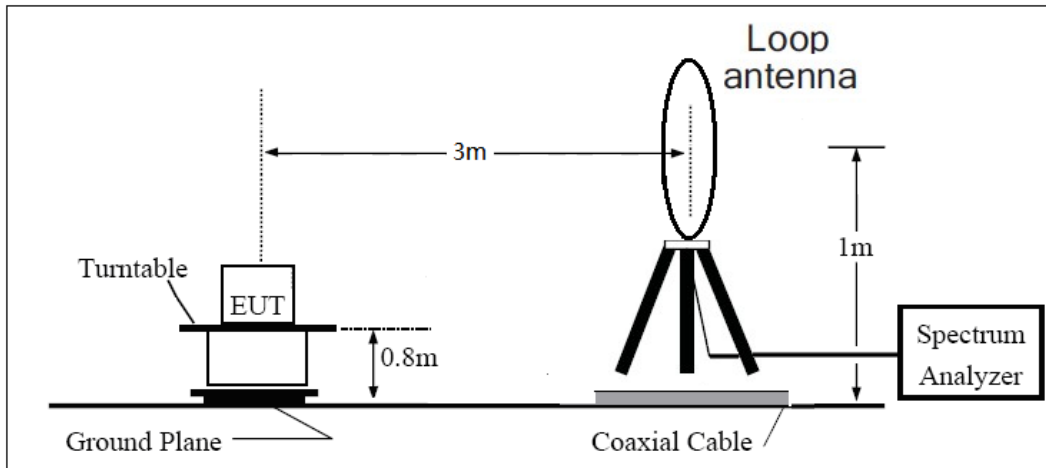
1. The testing follows FCC KDB 971168 v03r01 Section 5.8 and ANSI C63.26 (2015).
2. Below 1GHz: The EUT is placed on a turntable 0.8 meters above the ground in the chamber, 3 meter away from the antenna. The maximal emission value is acquired by adjusting the antenna height, polarisation and turntable azimuth. Normally, the height range of antenna is 1 m to 4 m, the azimuth range of turntable is 0° to 360°, and the receive antenna has two polarizations Vertical (V) and Horizontal (H). Above 1GHz: (Note: the FCC's permission to use 1.5m as an alternative per TCBC Conf call of Dec. 2, 2014.) The EUT is placed on a turntable 1.5 meters above the ground in the chamber, 3 meter away from the antenna. The maximal emission value is acquired by adjusting the antenna height, polarisation and turntable azimuth. Normally, the height range of antenna is 1 m to 4 m, the azimuth range of turntable is 0° to 360°, and the receive antenna has two polarizations Vertical (V) and Horizontal (H).
3. A loop antenna, A log-periodic antenna or horn antenna shall be substituted in place of the EUT. The log-periodic antenna will be driven by a signal generator and the level will be adjusted till the same power value on the spectrum analyzer or receiver. The level of the spurious emissions can be calculated through the level of the signal generator, cable loss, the gain of the substitution antenna and the reading of the spectrum analyzer or receiver.
4. The EUT is then put into continuously transmitting mode at its maximum power level during the test. Set Test Receiver or Spectrum RBW=200Hz,VBW=600Hz for 9kHz150kHz , RBW=10kHz, VBW=30kHz 150kHz-30MHz , RBW=100kHz,VBW=300kHz for 30MHz to 1GHz and RBW=1MHz, VBW=3MHz for above 1GHz, And the maximum value of the receiver should be recorded as (Pr).
5. The EUT shall be replaced by a substitution antenna. In the chamber, an substitution antenna for the frequency band of interest is placed at the reference point of the chamber. An RF Signal source for the frequency band of interest is connected to the substitution antenna with a cable that has been constructed to not interfere with the radiation pattern of the antenna. A power (PMea) is applied to the input of the substitution antenna, and adjust the level of the signal generator output until the value of the receiver reach the previously recorded (Pr). The power of signal source (PMea) is recorded. The test should be performed by rotating the test item and adjusting the receiving antenna polarization.
6. A amplifier should be connected to the Signal Source output port. And the cable should be connect between the Amplifier and the Substitution Antenna. The cable loss (Pcl) ,the Substitution Antenna Gain (Ga) and the Amplifier Gain (PAg) should be recorded after test.
7. The measurement results are obtained as described below:
Power(EIRP)=PMea- PAg - Pcl + Ga
The measurement results are amend as described below:
Power(EIRP)=PMea- Pcl + Ga
8. This value is EIRP since the measurement is calibrated using an antenna of known gain (2.15 dBi)

and known input power. ERP can be calculated from EIRP by subtracting the gain of the dipole, $ERP = EIRP - 2.15\text{dBi}$.

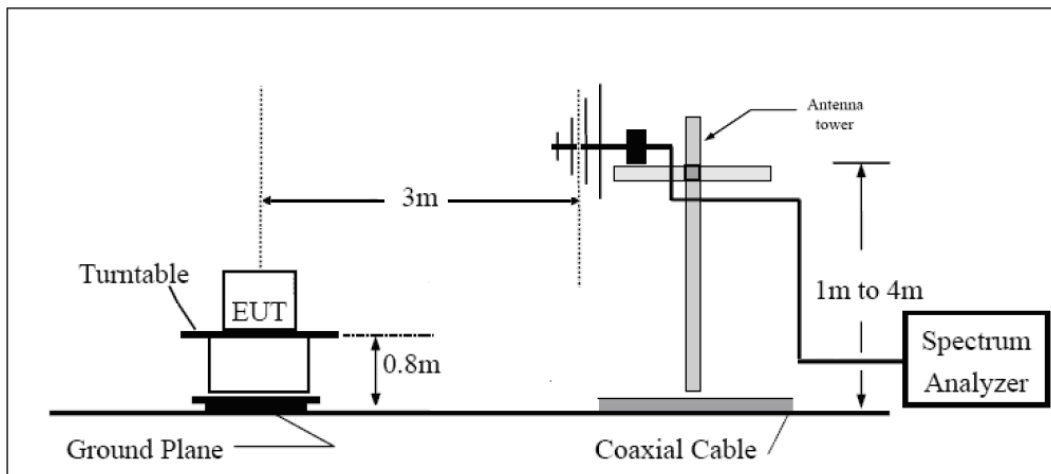
The modulation mode and RB allocation refer to section 5.1, using the maximum output power configuration.

Test setup

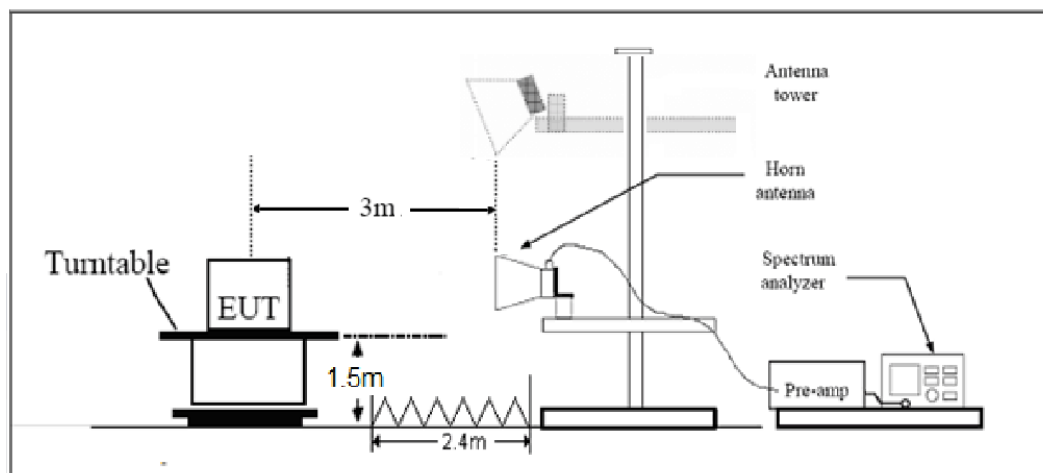
9KHz ~ 30MHz



30MHz ~ 1GHz



Above 1GHz





Note: Area side:2.4mX3.6m

Limits

Rule Part 22.917(a) specifies that “The power of any emission outside of the authorized operating frequency ranges must be attenuated below the transmitting power (P) by a factor of at least $43 + 10 \log (P)$ dB.”

Limit	-13 dBm
-------	---------

Measurement Uncertainty

The assessed measurement uncertainty to ensure 95% confidence level for the normal distribution is with the coverage factor $k = 1.96$, $U = 3.55$ dB.

**Test Result**

Sweep the whole frequency band through the range from 9kHz to the 10th harmonic of the carrier, the emissions below the noise floor will not be recorded in the report.

GSM 850 CH-Middle

Harmonic	Frequency (MHz)	SG (dBm)	Cable Loss (dB)	Gain (dBi)	Antenna Polarization	ERP Level (dBm)	Limit (dBm)	Margin (dB)	Azimuth (deg)
2	1673	-62.18	2.00	10.75	Horizontal	-55.58	-13.00	42.58	225
3	2498	-65.99	2.51	11.05	Horizontal	-59.60	-13.00	46.60	135
4	3346	-47.68	4.20	11.15	Horizontal	-42.88	-13.00	29.88	45
5	4183	-25.94	5.20	11.15	Horizontal	-22.14	-13.00	9.14	225
6	5020	-45.10	5.50	11.95	Horizontal	-40.80	-13.00	27.80	0
7	5856	-32.51	5.70	13.55	Horizontal	-26.81	-13.00	13.81	180
8	6693	-56.07	6.30	13.75	Horizontal	-50.77	-13.00	37.77	315
9	7529	-34.11	6.80	13.85	Horizontal	-29.21	-13.00	16.21	90
10	8366	-54.66	6.90	14.25	Horizontal	-49.46	-13.00	36.46	270

Note: 1.The other Spurious RF Radiated emissions level is no more than noise floor.

2.The worst emission was found in the antenna is Horizontal position.

LTE Band 5 1.4MHz CH-Middle

Harmonic	Frequency (MHz)	SG (dBm)	Cable Loss (dB)	Gain (dBi)	Antenna Polarization	ERP Level (dBm)	Limit (dBm)	Margin (dB)	Azimuth (deg)
2	1673.0	-65.41	2.00	10.75	Horizontal	-58.81	-13.00	45.81	225
3	2509.5	-39.99	2.51	11.05	Horizontal	-33.60	-13.00	20.60	45
4	3346.0	-59.73	4.20	11.15	Horizontal	-54.93	-13.00	41.93	225
5	4182.5	-51.22	5.20	11.15	Horizontal	-47.42	-13.00	34.42	45
6	5019.0	-54.31	5.50	11.95	Horizontal	-50.01	-13.00	37.01	90
7	5855.5	-56.13	5.70	13.55	Horizontal	-50.43	-13.00	37.43	0
8	6692.0	-56.49	6.30	13.75	Horizontal	-51.19	-13.00	38.19	135
9	7528.5	-53.64	6.80	13.85	Horizontal	-48.74	-13.00	35.74	225
10	8365.0	-53.45	6.90	14.25	Horizontal	-48.25	-13.00	35.25	270

Note: 1.The other Spurious RF Radiated emissions level is no more than noise floor.

2.The worst emission was found in the antenna is Horizontal position.



LTE Band 5 5MHz CH-Middle

Harmonic	Frequency (MHz)	SG (dBm)	Cable Loss (dB)	Gain (dBi)	Antenna Polarization	ERP Level (dBm)	Limit (dBm)	Margin (dB)	Azimuth (deg)
2	1673.0	-66.60	2.00	10.75	Horizontal	-60.00	-13.00	47.00	90
3	2509.5	-39.66	2.51	11.05	Horizontal	-33.27	-13.00	20.27	45
4	3346.0	-58.99	4.20	11.15	Horizontal	-54.19	-13.00	41.19	45
5	4182.5	-47.62	5.20	11.15	Horizontal	-43.82	-13.00	30.82	45
6	5019.0	-54.50	5.50	11.95	Horizontal	-50.20	-13.00	37.20	135
7	5855.5	-55.75	5.70	13.55	Horizontal	-50.05	-13.00	37.05	0
8	6692.0	-56.69	6.30	13.75	Horizontal	-51.39	-13.00	38.39	45
9	7528.5	-52.54	6.80	13.85	Horizontal	-47.64	-13.00	34.64	135
10	8365.0	-51.98	6.90	14.25	Horizontal	-46.78	-13.00	33.78	225

Note: 1.The other Spurious RF Radiated emissions level is no more than noise floor.

2.The worst emission was found in the antenna is Horizontal position.

LTE Band 5 10MHz CH-Middle

Harmonic	Frequency (MHz)	SG (dBm)	Cable Loss (dB)	Gain (dBi)	Antenna Polarization	ERP Level (dBm)	Limit (dBm)	Margin (dB)	Azimuth (deg)
2	1673.0	-65.40	2.00	10.75	Horizontal	-58.80	-13.00	45.80	0
3	2509.5	-43.04	2.51	11.05	Horizontal	-36.65	-13.00	23.65	135
4	3346.0	-58.89	4.20	11.15	Horizontal	-54.09	-13.00	41.09	0
5	4182.5	-48.75	5.20	11.15	Horizontal	-44.95	-13.00	31.95	45
6	5019.0	-53.98	5.50	11.95	Horizontal	-49.68	-13.00	36.68	90
7	5855.5	-56.17	5.70	13.55	Horizontal	-50.47	-13.00	37.47	135
8	6692.0	-57.49	6.30	13.75	Horizontal	-52.19	-13.00	39.19	225
9	7528.5	-53.37	6.80	13.85	Horizontal	-48.47	-13.00	35.47	180
10	8365.0	-52.89	6.90	14.25	Horizontal	-47.69	-13.00	34.69	45

Note: 1.The other Spurious RF Radiated emissions level is no more than noise floor.

2.The worst emission was found in the antenna is Horizontal position.



LTE Band 26 1.4MHz CH-Middle

Harmonic	Frequency (MHz)	SG (dBm)	Cable Loss (dB)	Gain (dBi)	Antenna Polarization	ERP Level (dBm)	Limit (dBm)	Margin (dB)	Azimuth (deg)
2	1673.00	-67.11	2.00	10.75	Horizontal	-60.51	-13.00	47.51	135
3	2509.50	-39.04	2.51	11.05	Horizontal	-32.65	-13.00	19.65	45
4	3326.00	-59.77	4.20	11.15	Horizontal	-54.97	-13.00	41.97	270
5	4157.50	-55.96	5.20	11.15	Horizontal	-52.16	-13.00	39.16	0
6	4989.00	-55.40	5.50	11.95	Horizontal	-51.10	-13.00	38.10	45
7	5820.50	-56.48	5.70	13.55	Horizontal	-50.78	-13.00	37.78	135
8	6652.00	-57.50	6.30	13.75	Horizontal	-52.20	-13.00	39.20	225
9	7483.50	-53.78	6.80	13.85	Horizontal	-48.88	-13.00	35.88	45
10	8315.00	-53.23	6.90	14.25	Horizontal	-48.03	-13.00	35.03	135

Note: 1.The other Spurious RF Radiated emissions level is no more than noise floor.

2.The worst emission was found in the antenna is Horizontal position.

LTE Band 26 5MHz CH-Middle

Harmonic	Frequency (MHz)	SG (dBm)	Cable Loss (dB)	Gain (dBi)	Antenna Polarization	ERP Level (dBm)	Limit (dBm)	Margin (dB)	Azimuth (deg)
2	1673.00	-64.67	2.00	10.75	Horizontal	-58.07	-13.00	45.07	90
3	2509.50	-47.74	2.51	11.05	Horizontal	-41.35	-13.00	28.35	225
4	3326.00	-59.55	4.20	11.15	Horizontal	-54.75	-13.00	41.75	0
5	4157.50	-52.00	5.20	11.15	Horizontal	-48.20	-13.00	35.20	90
6	4989.00	-54.95	5.50	11.95	Horizontal	-50.65	-13.00	37.65	135
7	5820.50	-56.07	5.70	13.55	Horizontal	-50.37	-13.00	37.37	225
8	6652.00	-57.23	6.30	13.75	Horizontal	-51.93	-13.00	38.93	45
9	7483.50	-53.35	6.80	13.85	Horizontal	-48.45	-13.00	35.45	90
10	8315.00	-53.36	6.90	14.25	Horizontal	-48.16	-13.00	35.16	135

Note: 1.The other Spurious RF Radiated emissions level is no more than noise floor.

2.The worst emission was found in the antenna is Horizontal position.



LTE Band 26 15MHz CH- Middle

Harmonic	Frequency (MHz)	SG (dBm)	Cable Loss (dB)	Gain (dBi)	Antenna Polarization	ERP Level (dBm)	Limit (dBm)	Margin (dB)	Azimuth (deg)
2	1673.00	-63.60	2.00	10.75	Horizontal	-57.00	-13.00	44.00	135
3	2509.50	-39.53	2.51	11.05	Horizontal	-33.14	-13.00	20.14	90
4	3346.00	-60.30	4.20	11.15	Horizontal	-55.50	-13.00	42.50	0
5	4182.50	-55.49	5.20	11.15	Horizontal	-51.69	-13.00	38.69	45
6	5019.00	-55.16	5.50	11.95	Horizontal	-50.86	-13.00	37.86	225
7	5855.50	-56.99	5.70	13.55	Horizontal	-51.29	-13.00	38.29	135
8	6692.00	-57.70	6.30	13.75	Horizontal	-52.40	-13.00	39.40	45
9	7528.50	-52.07	6.80	13.85	Horizontal	-47.17	-13.00	34.17	225
10	8365.00	-53.67	6.90	14.25	Horizontal	-48.47	-13.00	35.47	270

Note: 1.The other Spurious RF Radiated emissions level is no more than noise floor.

2.The worst emission was found in the antenna is Horizontal position.

6. Main Test Instruments

Name	Manufacturer	Type	Serial Number	Calibration Date	Expiration Date
Base Station Simulator	R&S	CMW500	113824	2019-05-19	2020-05-18
Power Splitter	Hua Xiang	SHX-GF2-2-13	10120101	/	/
Spectrum Analyzer	Key sight	N9010A	MY50210259	2019-05-19	2020-05-18
Universal Radio Communication Tester	Key sight	E5515C	MY48367192	2019-05-19	2020-05-18
Signal Analyzer	R&S	FSV30	100815	2018-12-16	2019-12-15
Loop Antenna	SCHWARZBECK	FMZB1519	1519-047	2017-09-26	2020-09-25
Trilog Antenna	SCHWARZBECK	VUBL 9163	9163-201	2017-11-18	2020-11-17
Horn Antenna	R&S	HF907	100126	2018-07-07	2020-07-06
Horn Antenna	ETS-Lindgren	3160-09	00102643	2018-06-20	2020-06-19
Signal generator	R&S	SMB 100A	102594	2019-05-19	2020-05-18
Climatic Chamber	ESPEC	SU-242	93000506	2017-12-17	2020-12-16
Preamplifier	R&S	SCU18	102327	2019-05-19	2020-05-18
MOB COMMS DC SUPPLY	Keysight	66319D	MY43004105	2019-05-20	2020-05-21
RF Cable	Agilent	SMA 15cm	0001	2019-06-14	2019-12-13
Software	R&S	EMC32	9.26.0	/	/

*****END OF REPORT *****