

## TROUBLE SHOOTING

PROBLEM	POSSIBLE CAUSE	SOLUTION
Light will not come on.	A. Fixture not properly connected. B. Pull chain not engaged. C. Fixture not receiving power.	A. Check wires to ensure proper connections. B. Pull chain to activate light. C. Check to make sure breaker is on and test another working electrical device to make sure it is receiving power.
Linked Lights do not turn on.	A. Linked power cords may not be plugged in.	A. Check all linked shop lights ensuring power cords are all properly installed.
Bluetooth audio does not work.	A. Bluetooth not active or not close enough to device. B. Bluetooth may be paired to wrong device. C. Device volume may be low or muted.	A. Ensure your device's Bluetooth is turned on, in range and discoverable. B. Make sure you are selecting the correct device to pair to. C. Make sure your audio level is set appropriately.
Audio can be heard out of first shop light only in linked chain.	A. Aux Cords are not connected on linked lights.	A. Check to make sure aux cables are properly installed on all linked lights.

## FCC WARNING:

**WARNING:** Changes or modifications to this unit not expressly approved by the party responsible for compliance could void the user authority to operate the equipment.

This device complies with Part 15 of the FCC Rules. Operation is subject to the following two conditions:  
(1) this device may not cause harmful interference, and  
(2) this device must accept any interference received, including interference that may cause undesired operation.

**NOTES:** This equipment has been tested and found to comply with the limits for a Class B digital device, pursuant to Part 15 of the FCC Rules. These limits are designed to provide reasonable protection against harmful interference in a residential installation. This equipment generates, uses and can radiate radio frequency energy and, if not installed and used in accordance with the instructions, may cause harmful interference to radio communications.

However, there is no guarantee that interference will not occur in a particular installation. If this equipment does cause harmful interference to radio or television reception, which can be determined by turning the equipment off and on, the user is encouraged to try to correct the interference by one or more of the following measures:

- Reorient or relocate the receiving antenna.
- Increase the separation between the equipment and receiver.
- Connect the equipment into an outlet on a circuit different from that to which the receiver is connected.
- Consult the dealer or an experienced radio/TV technician for help.

**RF EXPOSURE:** This equipment complies with FCC radiation exposure limits set forth for an uncontrolled environment. This equipment should be installed and operated with minimum distance of 20 cm between the radiator and your body. This transmitter must not be co-located or operating in conjunction with any other antenna or transmitter.

# Honeywell

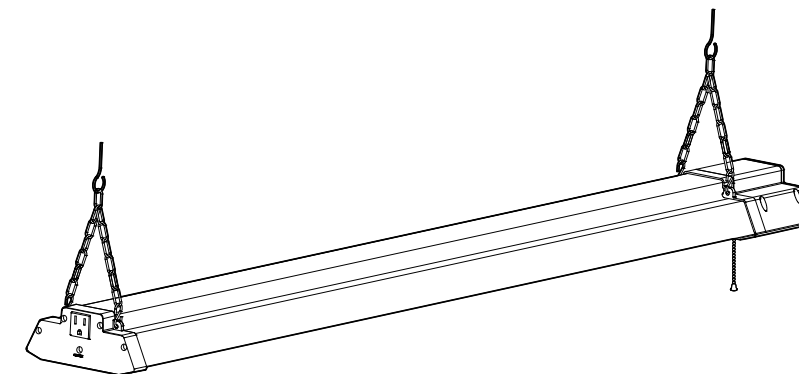
## EN LED 4' Linkable Shop Light with 5W Bluetooth Speaker Use And Care Guide

Read And Save These Instructions Before Use

### NOTE:

The Bluetooth brand elements may not be used in a fashion or manner that could impair or otherwise damage the goodwill associated with the Bluetooth brand or the Fellow Adopters (Sky Rich Star Limited). The Bluetooth brand elements shall therefore not be used in connection with products and services that do not enable any Bluetooth wireless functionality or in connection with unlawful, obscene, pornographic, excessively violent, hazardous, or otherwise poor-taste activities.

Model: BT0450DS0810



### International Development Company

899 Henrietta Creek Rd.  
Roanoke, TX 76262 USA  
Toll-free: 1-877-723-0723

Made in China  
© 2019 IDC, all rights reserved.  
The Honeywell Trademark is used under license from Honeywell International Inc.  
Honeywell International Inc. makes no representations or warranties with respect to this product. This product is manufactured for International Development Company.

# Honeywell

## SAFETY INFORMATION

**IMPORTANT:** Read all safety precautions and installations carefully before installing or servicing this fixture.

- 5.5 ft power cord with plug, link up to 6 shoplight together.
- Do not handle any energized fixture or attempt to energize any fixture with wet hands or while standing on a wet or damp surface or in water.
- Assure that the fixture is mounted onto a structurally sound surface that will support the fixture.
- The fixture is designed for use in a 120 VAC, 60Hz fused circuit. Do not use on a dimming circuit.
- Do not look into the lights.
- Product is intended for use in garages, basements, work areas, utility rooms and recreation rooms.
- Maximum distance to the receptacle is determined by the length of the cord provided. (5.5ft, 3-prong, 120V grounded plug included)
- Includes a protective sleeve, such as 0.010-inch (0.25-mm) thick fiberglass, where the path of cord travel to the ceiling-mounted receptacle is not between the two supporting chains.
- The fixture is intended to be installed directly beneath a ceiling-mounted receptacle. Excess cord should be secured to one of the supporting chains with a cable tie to keep it out of the work space.
- Use hook to support chain, not the electrical cord.
- Do not install on radiant-heating type ceiling.

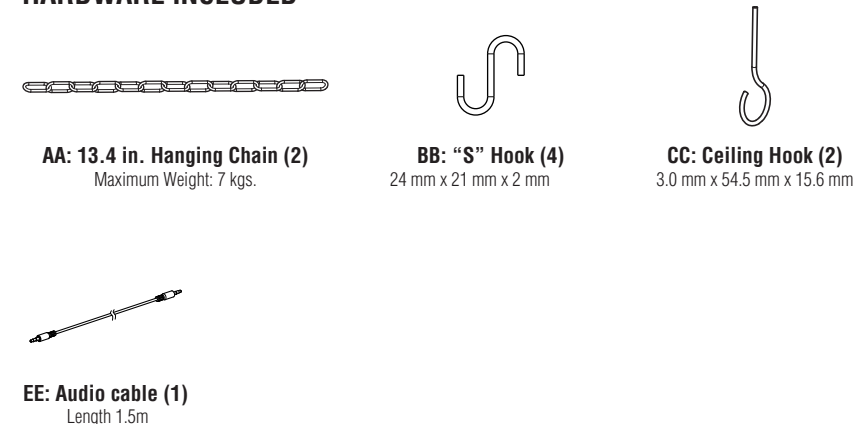
**WARNING:** Failure to comply with these instructions could result in a potentially fatal electric shock and/or property damage.

## PRE-INSTALLATION

### PLANNING INSTALLATION

- Carefully remove the fixture from the carton and check to make sure that all hardware is included.
- Be careful not to misplace any of the hardware needed for installing the fixture. If all hardware is not included, call customer service number.

### HARDWARE INCLUDED



## INSTALLATION

**NOTE:** The unit is intended to be installed directly beneath a ceiling-mounted receptacle. If there is excess cord, bind with string or a cable tie to keep it out of work space.

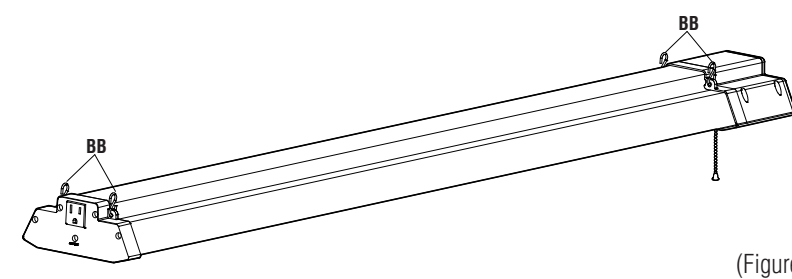
### ATTACH THE CEILING HOOKS

Choose desired location of light fixture making sure it is within reach of an outlet. Use a pencil to place a mark on the ceiling where each ceiling hook (Part CC) should go. Screw hooks in place until secure.



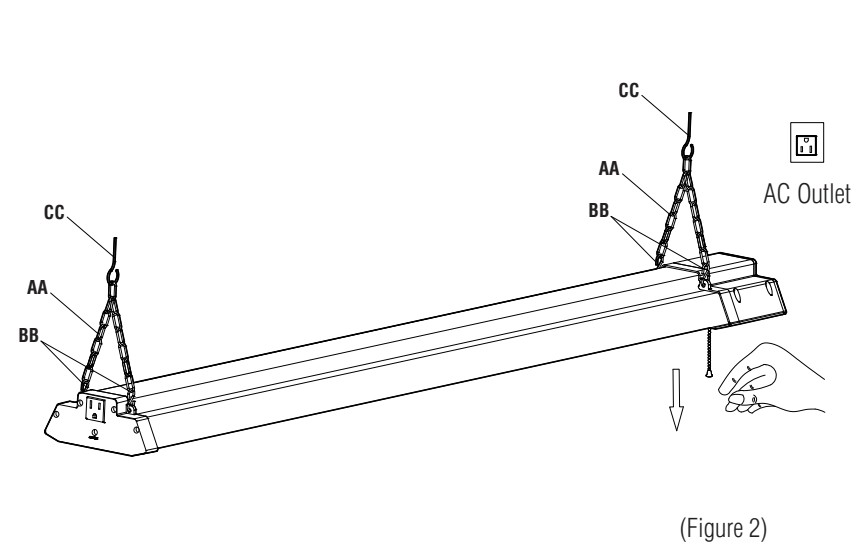
### ATTACH THE "S" HOOKS

Insert the "S" hooks (Part BB) into each of the holes on both sides of the shop Light. (Figure 1)



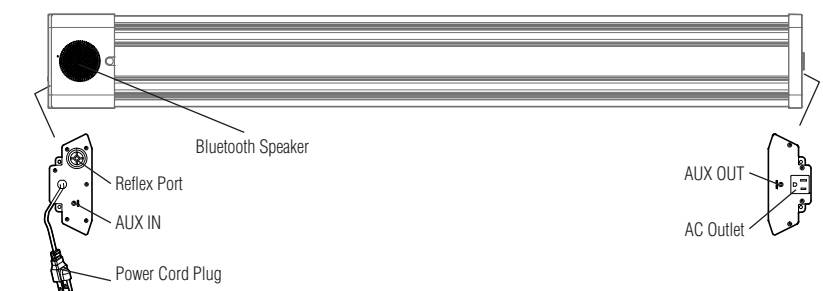
### ATTACH THE HANGING CHAIN

1. Using hanging chains (Part AA) attach to the "S" hooks (Part BB) previously attached to each side of the light fixture. (Figure 2)
- NOTE:** The hanging chain must be bent in half in order to attach each side to an "S" hook.
2. Attach the center of each hanging chain to the ceiling hooks (Part CC) previously attached.
3. Determine whether a single or multiple units are to be installed. If multiple units will be installed follow steps in **CONNECTION OPTIONS** section. Connect lights per instructions and repeat steps 1-2 (under Attach the Hanging Chain) for each light connected.
4. Plug power cord into an outlet to use pull chain to power on.



## HOW TO OPERATE BLUETOOTH SPEAKER:

1. Bluetooth Speaker will enter pairing mode when you turn on the light. Activate bluetooth on your device and find device named BT0450DS0810. Press to pair.
2. The Bluetooth Speaker will turn off when the light is turned off.



For better operation, the distance between Bluetooth device and the shop light had better less than 65.6 ft (20m) (It depends on the Bluetooth device and the environment).



## CONNECTION OPTIONS

**NOTE:** A maximum of 6 lights can be connected off of a single circuit.

### LINKING CABLE

1. Up to 6 units can be connected using the 5.5 ft power cord. Once installed, plug the power cord into the end of linked shop light and repeat up to 5 times.
2. To link the audio in up to 6 shop lights connect the audio cable (Part EE) from the aux out on first shop light and then into the aux in on second shop light. Repeat for up to 6 lights.

**NOTE:** When linking shop lights, you should pair your Bluetooth with the first one in the linking chain, then connect all linked lights with provided aux cables. Only 1 light will be able to be paired from a single device.

