

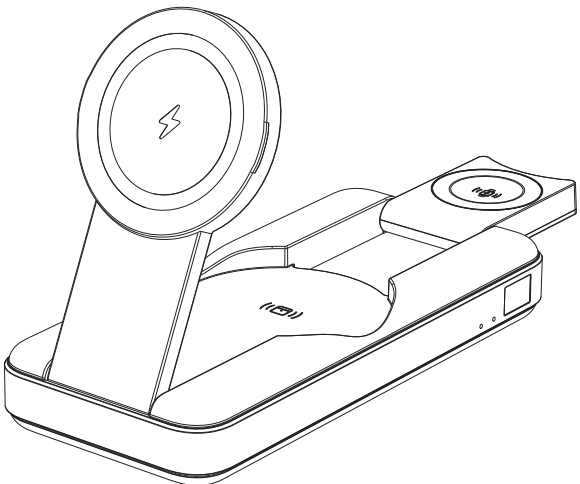
# 封面

# 封底

## User Manual

**Model:** StandUP TM10000

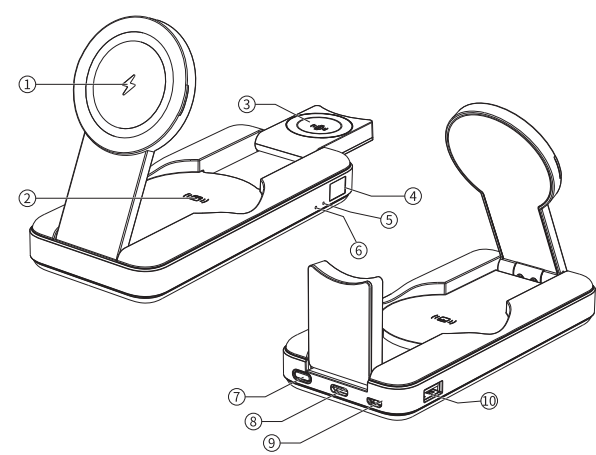
**Accessories:**  
 1\* MagSafe Charging Station  
 1\* USB-A to Type-C Cable  
 1\* User Manual



**Note:**  
 Thank you for your acquisition of this Magsafe charging station, please read this manual carefully before using this product.

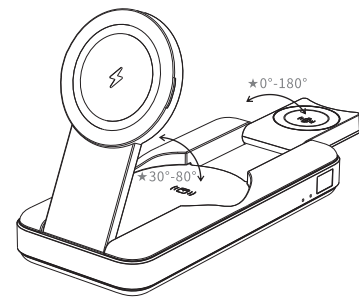
SPECIFICATIONS	
Battery Capacity	10000mAh
Type C Input	5V/2.6A, 9V/2A
MicroUSB Input	5V/2A, 9V/2A
USB-A Output	5V/3A, 9V/2A, 12V/1.5A
Type C Output	5V/2.4A, 9V/2.22A, 12V/1.67A
Wireless Output(Mobile)	5W, 7.5W, 10W, 15W
Airpods Output	5W (Max)
iWatch Output	2W
Simultaneous Output	5V/3A
Dimension	6.22*2.88*0.95 inch (158*73.2*24.2mm)
Weight	11.64 oz (330 g)

## PRODUCT STRUCTURE



- Magnetic Charging Area for iPhone 12/13/14 Series
- Wireless Charging Pad for AirPods
- Wireless Charging Pad for Apple Watch
- Digital Display Screen of Battery Power
- Charging Indicator for iPhone
- Charging Indicator for AirPods
- Switch
- Type-C Output/Input
- Micro USB Input
- USB-A Output

## Angle Adjustable



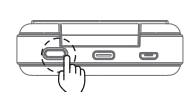
**Warning**

- The power bank stand will generate heat when charging (it is normal for the wireless charging technology). Please use it in a well-ventilated area when charging.
- Keep the power bank stand away from heat sources, direct sunlight, humidity, water or other liquids.
- Do not operate the power bank stand if it is wet or damaged to prevent electric shock and explosion. Do not repair without authorized.
- Do not use the power bank stand with wet hands.
- Do not use the unit for purposes other than its intended use.

FCC CE RoHS  
 Made in China

## HOW TO USE

### Switch

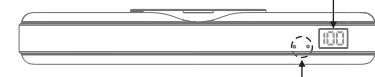


**Use of switches**  
 By pressing the switch once, the product will turn on with the power display screen illuminated. This indicates that the device is in standby mode and is ready for normal operation. It also charges automatically when the device is placed directly on it. Press the switch twice in a row to turn the power off and the device will stop working.

**Tips:** In standby mode, it will turn off automatically after about 25 seconds without performing other operations. When you directly take away the device being charged, this product will also automatically power off in about 3 seconds.

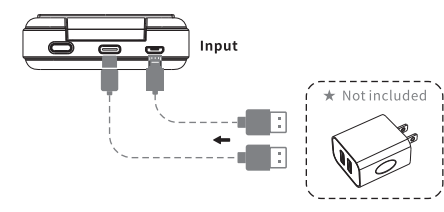
### Power digital led screen

Fully Charged	100
Charging	Real-time Power
Low Power	Number Flashes



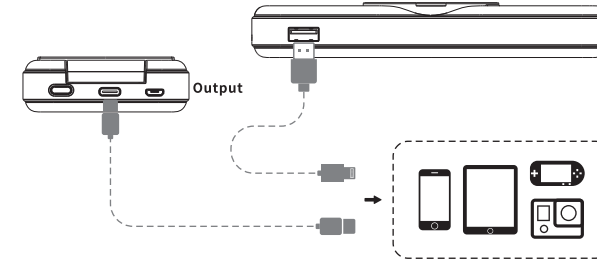
**Airpods/phone charging indicator status**  
 No light - Charging standby.  
 Light up - Device is charging normally.

## Recharging



You need to charge the product when the power or battery is low. You can use Micro USB or TYPE-C standard charging cable to connect this product and plug USB A into QC/PD adapter to charge the product.

## Pass Through Charging

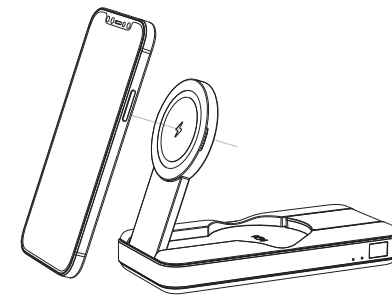


- Insert the USB charging cable USB A end into Output.
- Plug the end of the cable into a terminal such as phone.

You can put your iPhone 12/13/14 and subsequent series, AirPods and Apple watch on the corresponding charging area and connect this charging station to the power source (PD 20W or QC 3.0 18W). It will charge the power bank stand itself and your iPhone 12/13/14 and subsequent series, AirPods and Apple watch at the same time.

## Wireless Charging

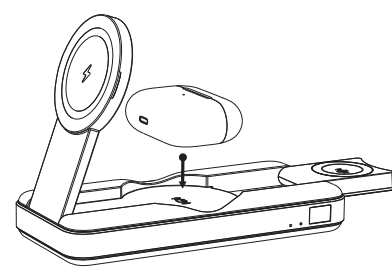
Please fit the product with the back of your iPhone (12/13/14 and subsequent series) or other wireless charging phone (which with magnetizing ring attached), it will charge your phone automatically via the built-in magnetic wireless charging, Max to be 15W, iPhone series is 7.5W.



**Note:**  
 1. The multi-function wireless power stand is mainly used for 12/13/14 and subsequent series, or phones with magnetizing rings attached.

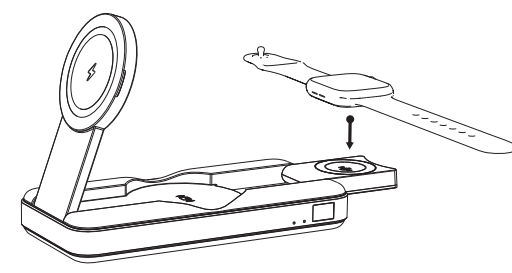
## Wireless Charging for AirPods

Please lay down your TWS earphone to the charging area and press the switch button(5W Max).




## Wireless Charging for Apple Watch

Make sure your Apple Watch is stick to the Magnet of the Wireless Charger for Apple Watch. It will automatically detect the Apple Watch and discharge it.



**When your wireless charging is not working properly**

- Clean the clutter on the wireless charge.
- Please make sure the wireless charging coil is correctly positioned with the phone coil.
- When the wireless charger is overheating, keep your mobile device away from the wireless transmitter. Please wait for the wireless transmitter to cool down before trying to charge it.



品名:	StandUP TM10000-中性说明书	规格:	100g 双胶纸黑白正反印刷3折页 尺寸:90x130 mm
版本:	20230818		
制作:	李志敏		
料号:			

This equipment has been tested and found to comply with the limits for a Class B digital device, pursuant to part 15 of the FCC Rules. These limits are designed to provide reasonable protection against harmful interference in a residential installation. This equipment generates, uses and can radiate radio frequency energy and, if not installed and used in accordance with the instructions, may cause harmful interference to radio communications. However, there is no guarantee that interference will not occur in a particular installation. If this equipment does cause harmful interference to radio or television reception, which can be determined by turning the equipment off and on, the user is encouraged to try to correct the interference by one or more of the following measures:

- Reorient or relocate the receiving antenna.
- Increase the separation between the equipment and receiver.
- Connect the equipment into an outlet on a circuit different from that to which the receiver is connected.
- Consult the dealer or an experienced radio/TV technician for help.

Caution: Any changes or modifications to this device not explicitly approved by manufacturer could void your authority to operate this equipment.

This device complies with part 15 of the FCC Rules. Operation is subject to the following two conditions: (1) This device may not cause harmful interference, and (2) this device must accept any interference received, including interference that may cause undesired operation.

The device has been evaluated to meet general RF exposure requirement.